



US00D432523S

United States Patent [19]
Grinkus et al.

[11] **Patent Number: Des. 432,523**
[45] **Date of Patent: ** Oct. 24, 2000**

[54] **MUSIC SOURCE CENTRAL CONTROLLER**

[75] Inventors: **John Grinkus, Randolph; Louis F. Genatossio**, Shrewsbury, both of Mass.

[73] Assignee: **Bose Corporation**, Framingham, Mass.

[**] Term: **14 Years**

[21] Appl. No.: **29/038,982**

[22] Filed: **May 18, 1995**

[51] **LOC (7) Cl.** **14-01**

[52] **U.S. Cl.** **D14/217; D14/496**

[58] **Field of Search** D9/418, 423; D10/106;
D13/162, 164, 184; D14/496, 217, 156,
265, 299; 361/380, 390, 391; 340/825.24,
825.25, 825.69; 455/347-351; 358/194.1;
348/734

[56] **References Cited**

U.S. PATENT DOCUMENTS

D. 245,701 9/1977 Kinsinger D16/221

D. 307,910 5/1990 Tominaga et al. D14/299
D. 324,687 3/1992 Olson D14/217
D. 339,806 9/1993 Grinkus D14/217
4,965,557 10/1990 Schepers et al. 358/194.1

Primary Examiner—Adir Aronovich
Attorney, Agent, or Firm—Fish & Richardson P.C.

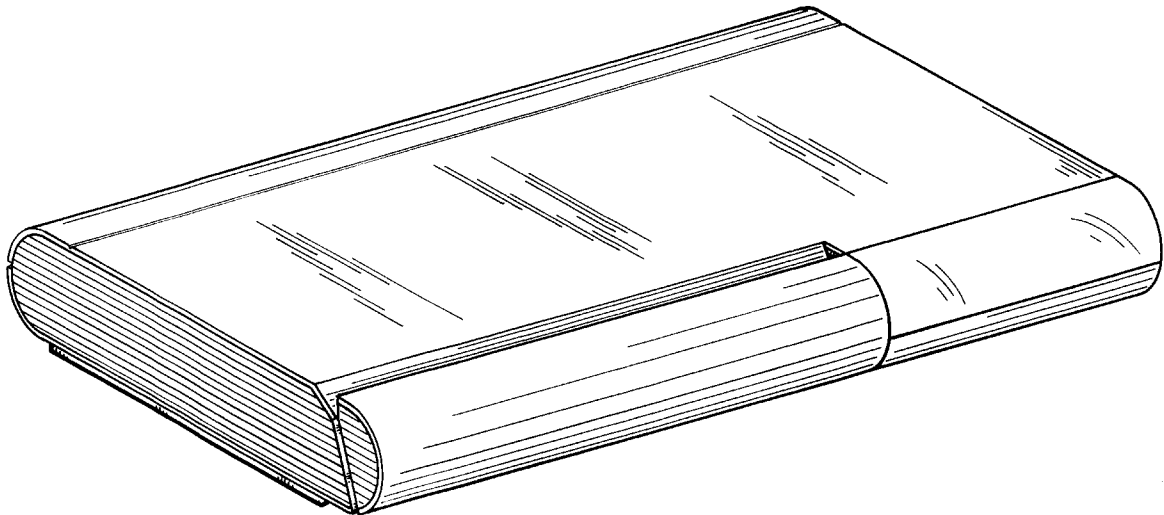
[57] **CLAIM**

The ornamental design for a music source central controller, substantially as shown and described.

DESCRIPTION

FIG. 1 is a perspective view of a music source central controller showing the new design; FIG. 2 is a top view thereof; FIG. 3 is a bottom view thereof; FIG. 4 is a front view thereof; FIG. 5 is a rear view thereof; FIG. 6 is an enlarged right side elevational view thereof; FIG. 7 is an enlarged left side elevational view thereof; and, FIG. 8 is a perspective view thereof with the front cover elevated to the open position.

1 Claim, 4 Drawing Sheets



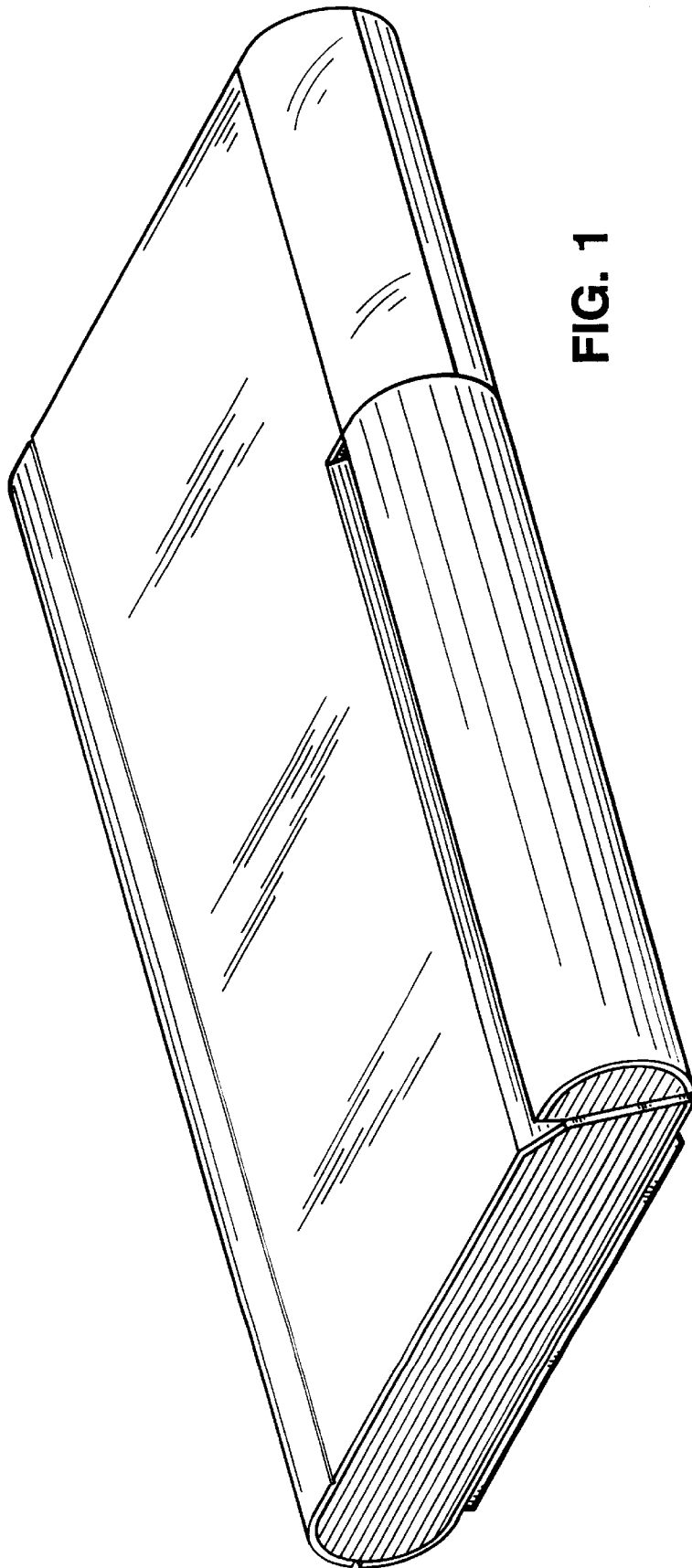


FIG. 1

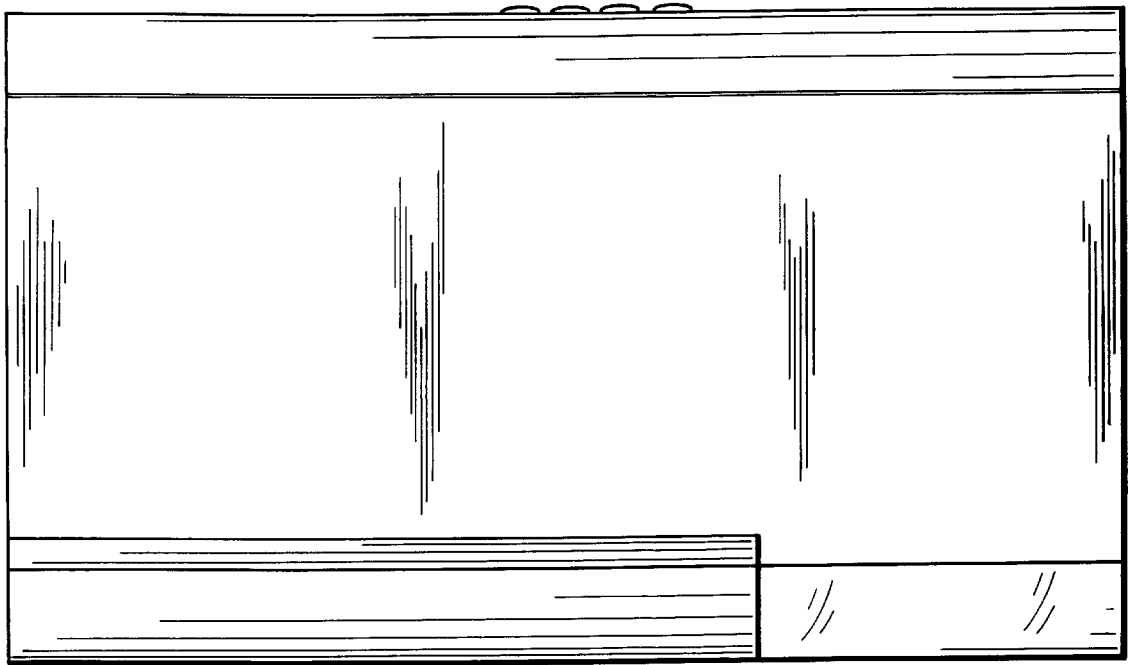


FIG. 2

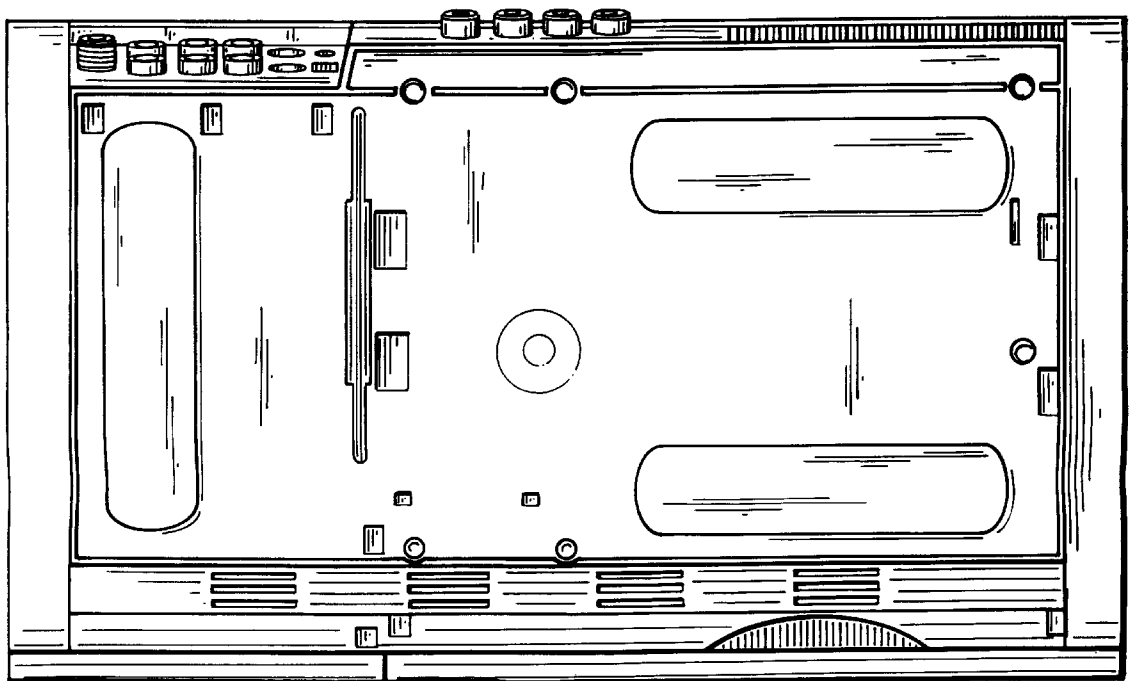


FIG. 3

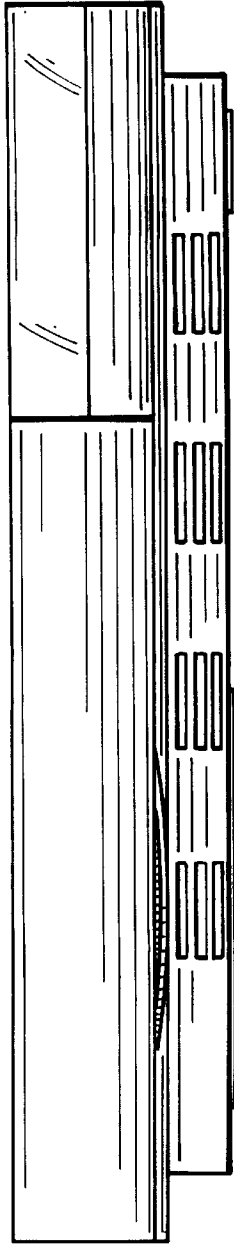


FIG. 4

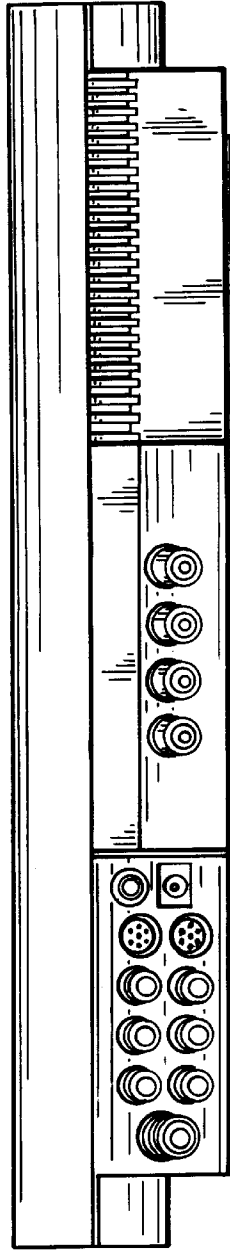


FIG. 5

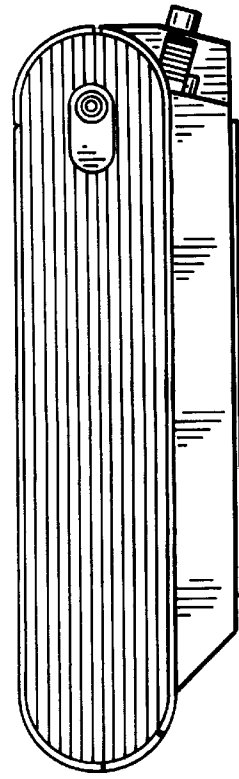


FIG. 7

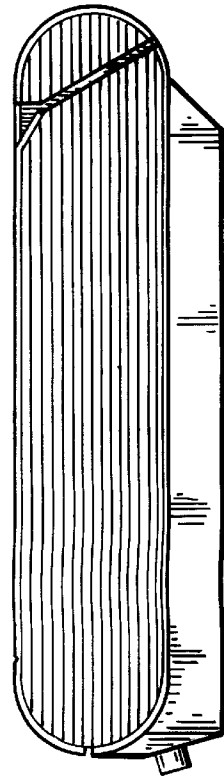


FIG. 6

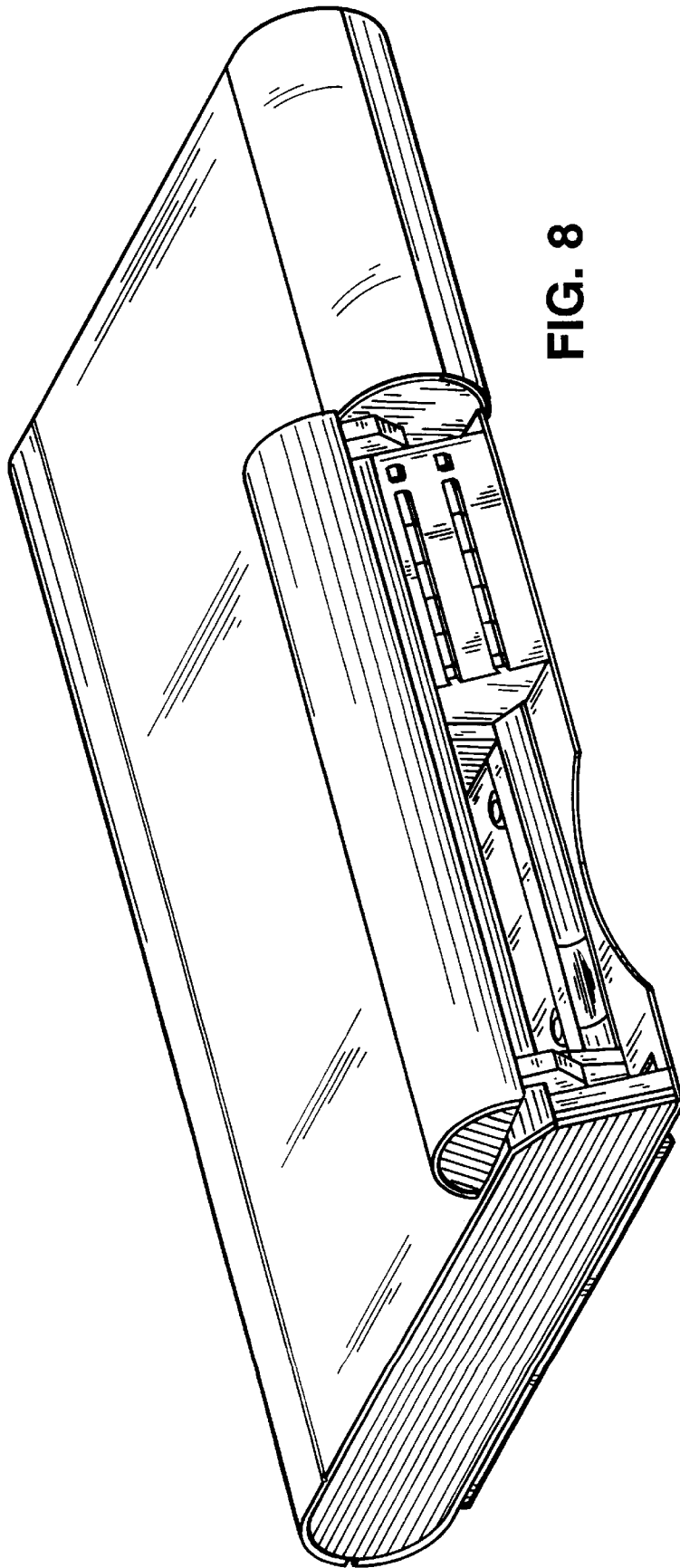


FIG. 8