



(12) **United States Design Patent**
Johnston et al.

(10) **Patent No.:** **US D872,908 S**
(45) **Date of Patent:** **** Jan. 14, 2020**

- (54) **BASE MEMBER FOR AIR DIFFUSER**
- (71) Applicant: **AQUATEC MAXCON PTY LTD,**
Ipswich QLD (AU)
- (72) Inventors: **Gregory Johnston,** Barellan Point
(AU); **David Yule,** Taringa (AU);
Kenneth Roy Wildbur, Jindalee (AU)
- (73) Assignee: **AQUATEC MAXCON PTY LTD,**
Ipswich, Queensland (AU)

D420,149	S	*	2/2000	Hersh	D25/119
D575,631	S	*	8/2008	Huang	D8/354
D620,619	S	*	7/2010	Teffenhardt, Jr.	E04C 3/06
						D25/123
D624,208	S	*	9/2010	Antonic	D25/121
8,002,249	B2		8/2011	Casper et al.		
D709,629	S	*	7/2014	Rice	D25/125
D736,414	S	*	8/2015	Sparks	D25/121
D800,347	S	*	10/2017	Blick	D25/119
D802,799	S	*	11/2017	Walker	D25/121
D833,175	S	*	11/2018	Miroshnichenko	D6/580
D839,081	S	*	1/2019	Tellimo	D8/354
D843,600	S	*	3/2019	Schmidt	D25/126

(Continued)

(**) Term: **15 Years**

(21) Appl. No.: **29/642,489**

(22) Filed: **Mar. 29, 2018**

(30) **Foreign Application Priority Data**

Sep. 29, 2017 (AU) 201716012

(51) **LOC (12) Cl.** **25-99**

(52) **U.S. Cl.**
USPC **D25/199; D23/386**

(58) **Field of Classification Search**
USPC D25/55, 119, 164, 199; D23/386, 392
CPC F24H 9/00; F24H 9/0057; F24H 9/0063;
F24H 9/0073; F24H 9/0078; F24H 9/02;
F24H 9/06; F16M 7/00; F24F 13/081;
F24F 13/14

See application file for complete search history.

(56) **References Cited**

U.S. PATENT DOCUMENTS

4,014,072	A	*	3/1977	Schumacher	E06B 1/34	16/95 R
4,734,191	A		3/1988	Schussler			
D301,304	S	*	5/1989	Will	D25/119	
5,355,650	A	*	10/1994	Agar	E06B 1/04	52/242
D356,283	S	*	3/1995	Christensen	D25/125	

FOREIGN PATENT DOCUMENTS

GB		2537893	A	11/2016
WO		WO 98021151	A1	5/1998
WO		WO 2013167109	A1	11/2013

Primary Examiner — L. Martinez

(74) *Attorney, Agent, or Firm* — Lathrop Gage LLP

(57) **CLAIM**

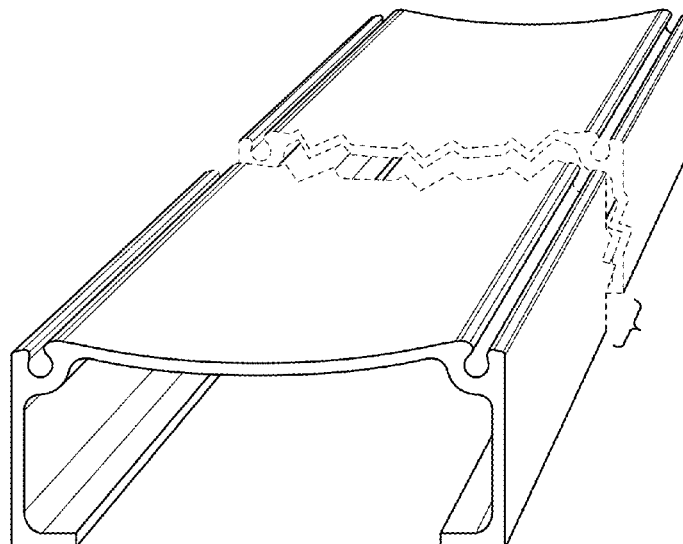
The ornamental design for a base member for air diffuser, as shown and described.

DESCRIPTION

FIG. 1 is a front perspective view of a base member for air diffuser, showing our new design; FIG. 2 is a rear perspective view of thereof; FIG. 3 is a front elevation view of thereof; FIG. 4 is a rear elevation view of thereof; FIG. 5 is a left elevation view of thereof; FIG. 6 is a right elevation view of thereof; FIG. 7 is a top plan view of thereof; and, FIG. 8 is a bottom plan view of thereof.

The base member for air diffuser is shown with a symbolic break in its length. The appearance of any portion of the base member for air diffuser between the break lines forms no part of the claimed design.

1 Claim, 5 Drawing Sheets



(56)

References Cited

U.S. PATENT DOCUMENTS

2002/0109247	A1	8/2002	Jager et al.	
2004/0124550	A1	7/2004	Casper et al.	
2004/0164433	A1	8/2004	Jager	
2007/0182036	A1	8/2007	Jager	
2011/0057334	A1	3/2011	Doppler	
2013/0160956	A1*	6/2013	Ikeda	A47H 1/04 160/331

* cited by examiner

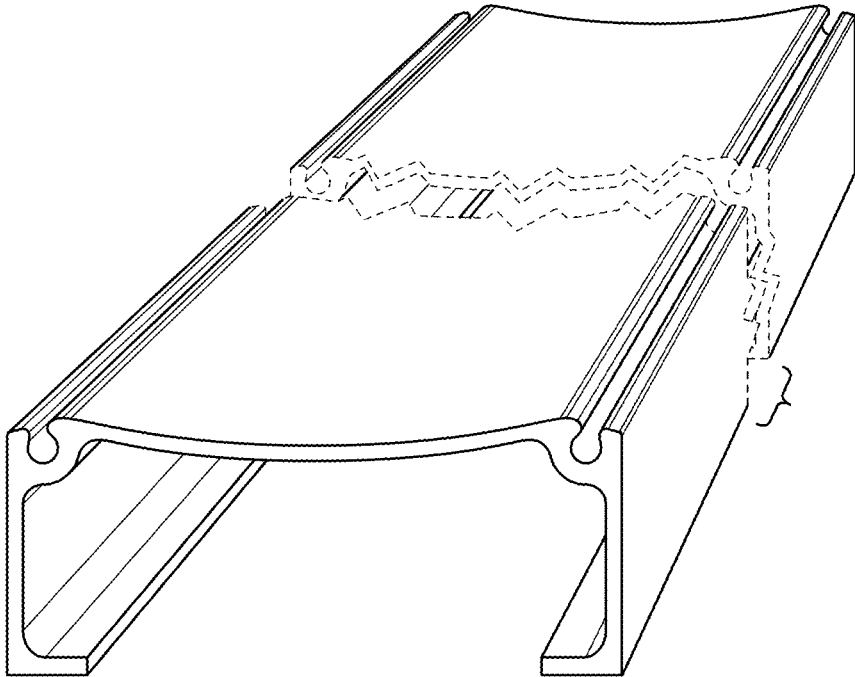


FIG. 1

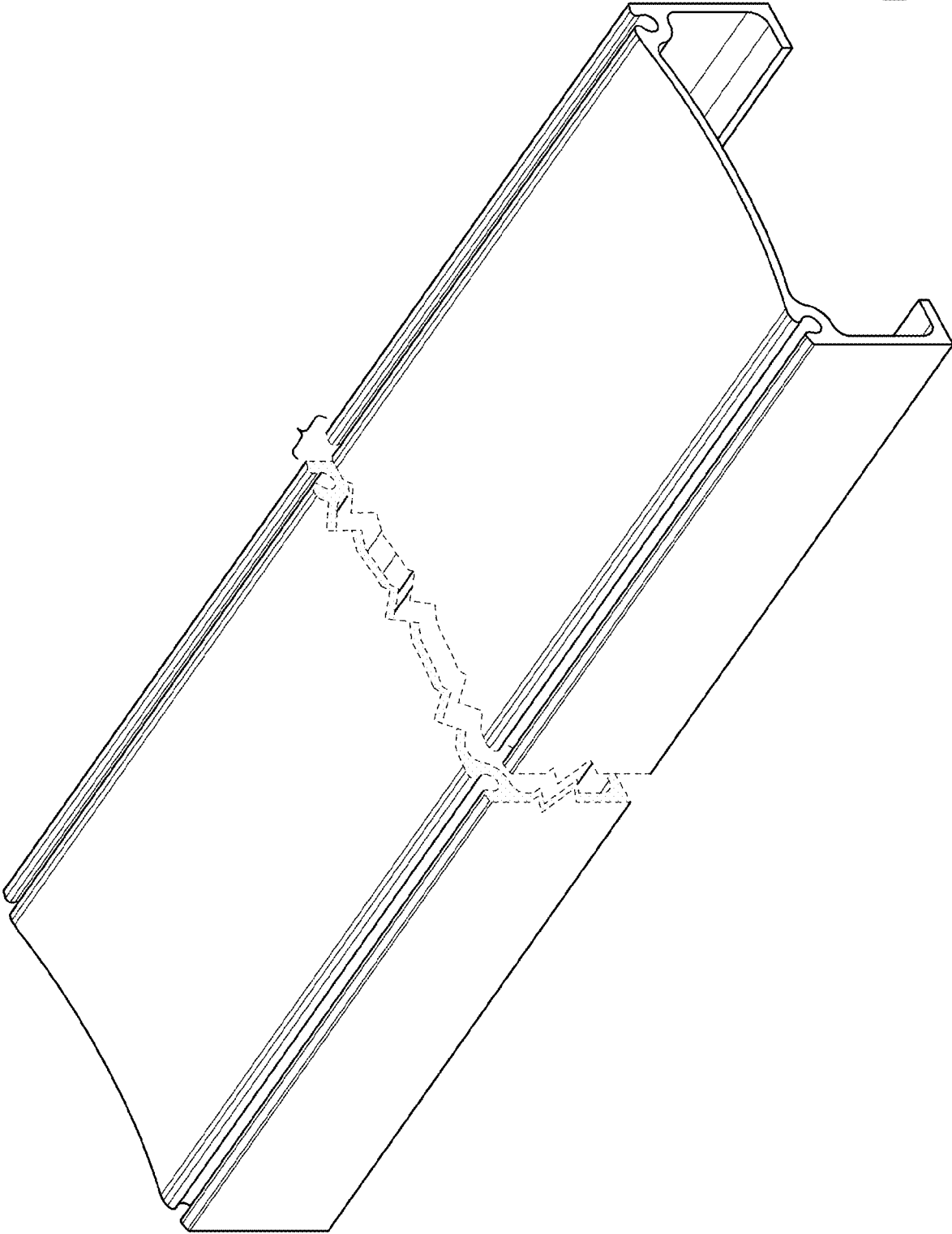


FIG. 2

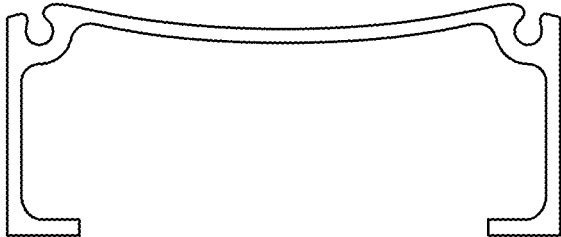


FIG. 3

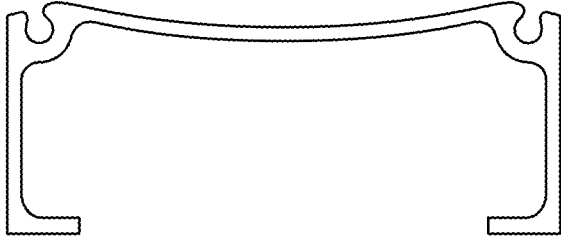


FIG. 4

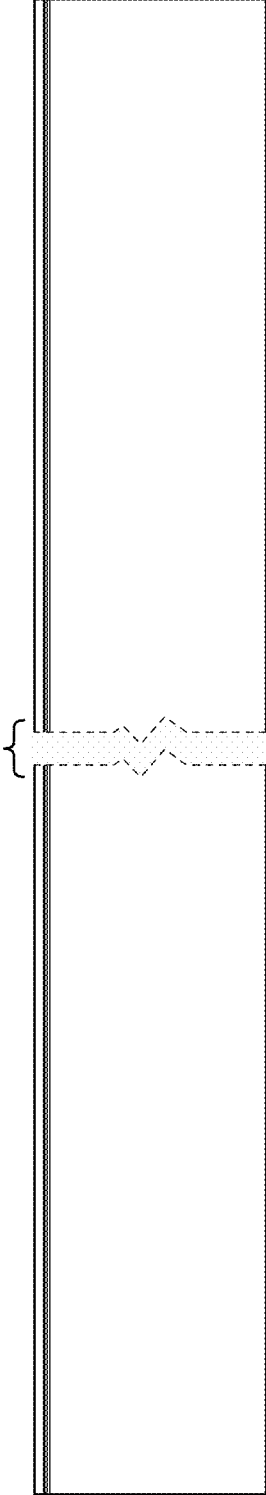


FIG. 5

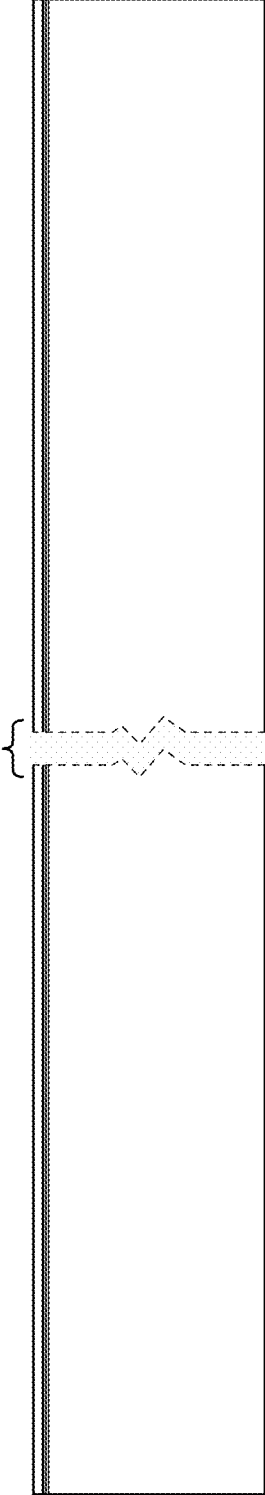


FIG. 6

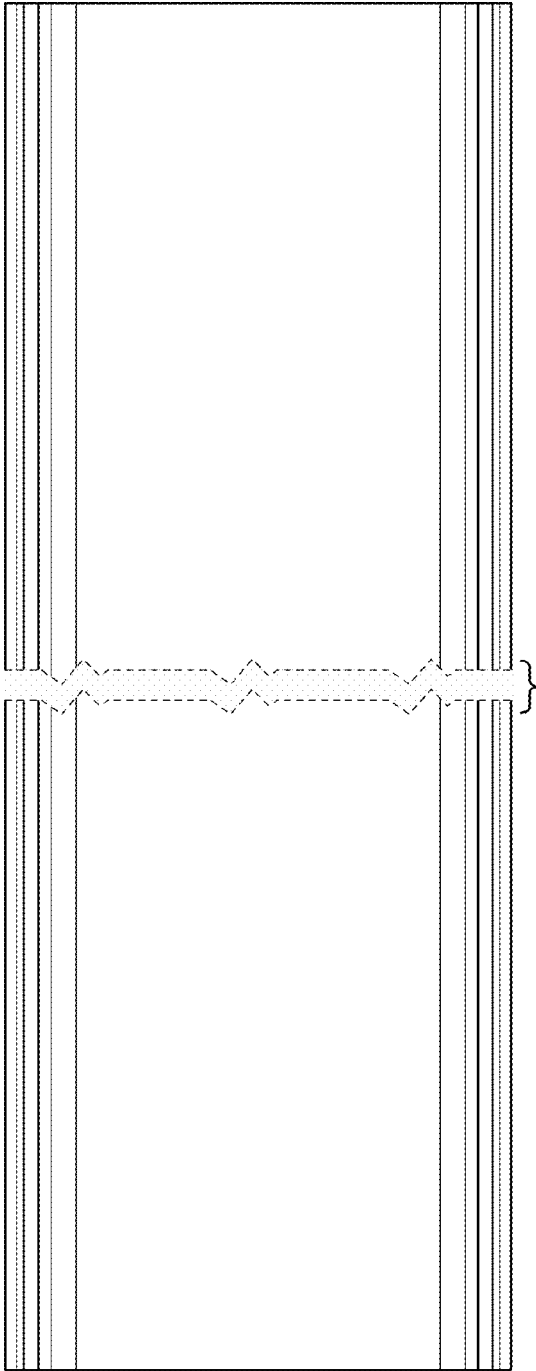


FIG. 7

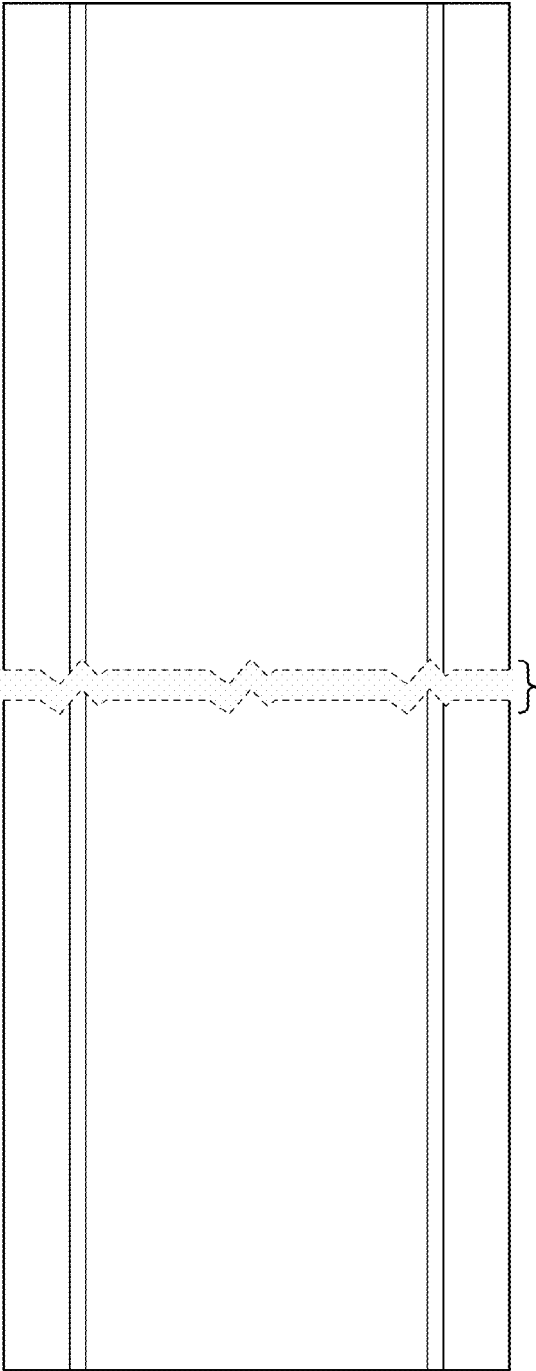


FIG. 8