



US00D802192S

(12) **United States Design Patent**
Windom et al.

(10) **Patent No.:** **US D802,192 S**

(45) **Date of Patent:** **** Nov. 7, 2017**

(54) **FLASHLIGHT**

(71) Applicant: **Coast Cutlery Co.,** Portland, OR (US)

(72) Inventors: **Gregory David Windom,** Portland, OR (US); **Kam Fu Choo,** Vancouver, WA (US)

(73) Assignee: **Coast Cutlery Co.,** Portland, OR (US)

(**) Term: **15 Years**

(21) Appl. No.: **29/551,681**

(22) Filed: **Jan. 15, 2016**

(51) **LOC (10) Cl.** **26-02**

(52) **U.S. Cl.**
USPC **D26/49**

(58) **Field of Classification Search**

USPC D26/49, 37, 38, 46, 51
CPC F21L 2003/00; F21L 4/00; F21L 4/005;
F21L 4/02; F21L 4/025; F21L 4/027;
F21L 4/04; F21L 4/08; F21L 2005/00;
F21L 7/00; F21L 11/00; F21L 13/00;
F21L 13/04; F21L 13/08; F21L 14/02;
F21L 17/00; F21L 19/00

See application file for complete search history.

(56) **References Cited**

U.S. PATENT DOCUMENTS

D371,214 S * 6/1996 Terry, Sr. D26/49
D465,045 S * 10/2002 Yamamoto D26/49
D524,468 S * 7/2006 Chean D26/37
D578,687 S * 10/2008 Hong D26/37
D603,990 S * 11/2009 Brown D26/49

D643,561 S * 8/2011 Maglica D26/49
D675,358 S * 1/2013 Brands D26/49
D683,877 S * 6/2013 Brands D26/49
D706,476 S * 6/2014 Lee D26/49
D736,975 S * 8/2015 Tang D22/117
D747,521 S * 1/2016 Sheikh D22/117
D748,309 S * 1/2016 Cheng D22/117
D769,495 S * 10/2016 Bertken D26/49
D770,071 S * 10/2016 Windom D26/49

* cited by examiner

Primary Examiner — Lakiya Rogers

Assistant Examiner — Carissa C Fitts

(74) *Attorney, Agent, or Firm* — Schwabe Williamson & Wyatt, P.C.

(57) **CLAIM**

We claim the ornamental design for a flashlight, as shown and described.

DESCRIPTION

FIG. 1 is a perspective view of a flashlight, showing our new design;

FIG. 2 is a right side view thereof;

FIG. 3 is a left side view thereof;

FIG. 4 is a front view thereof;

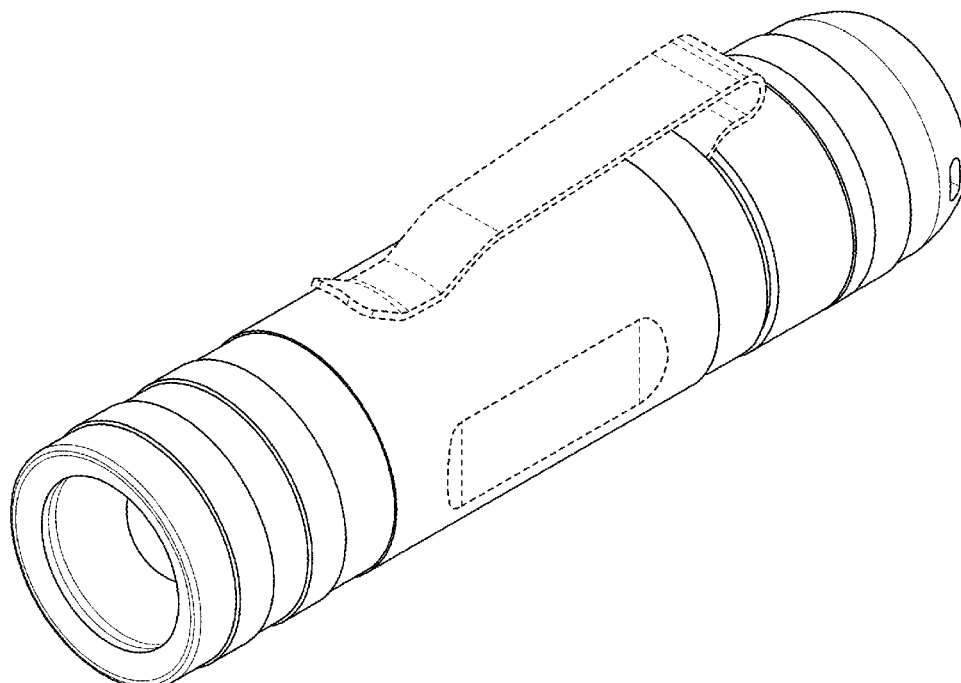
FIG. 5 is a back view thereof;

FIG. 6 is a top view thereof; and,

FIG. 7 is a bottom view thereof.

The broken lines show unclaimed portions of the article and form no part of the claimed design.

1 Claim, 7 Drawing Sheets



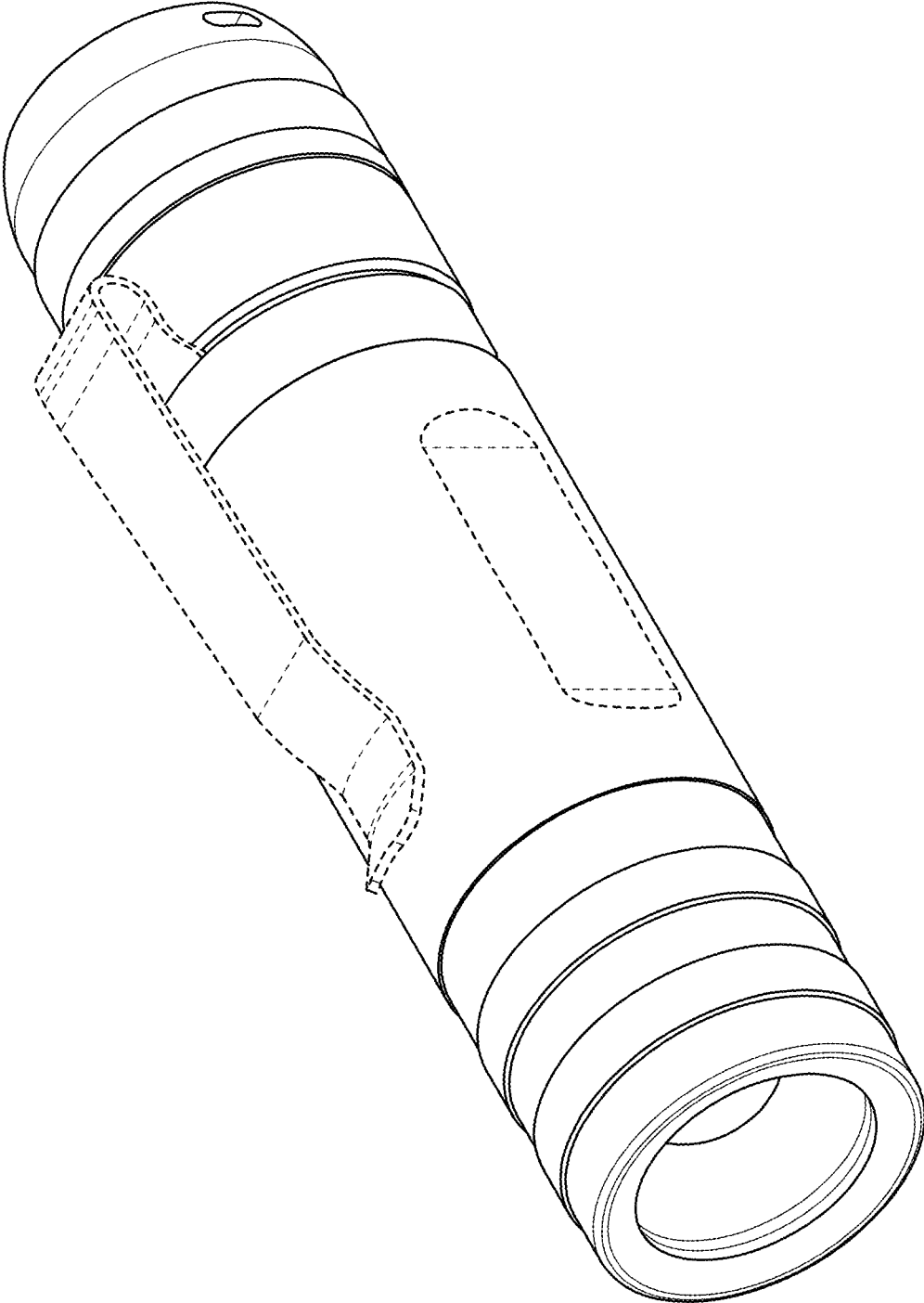


FIG. 1

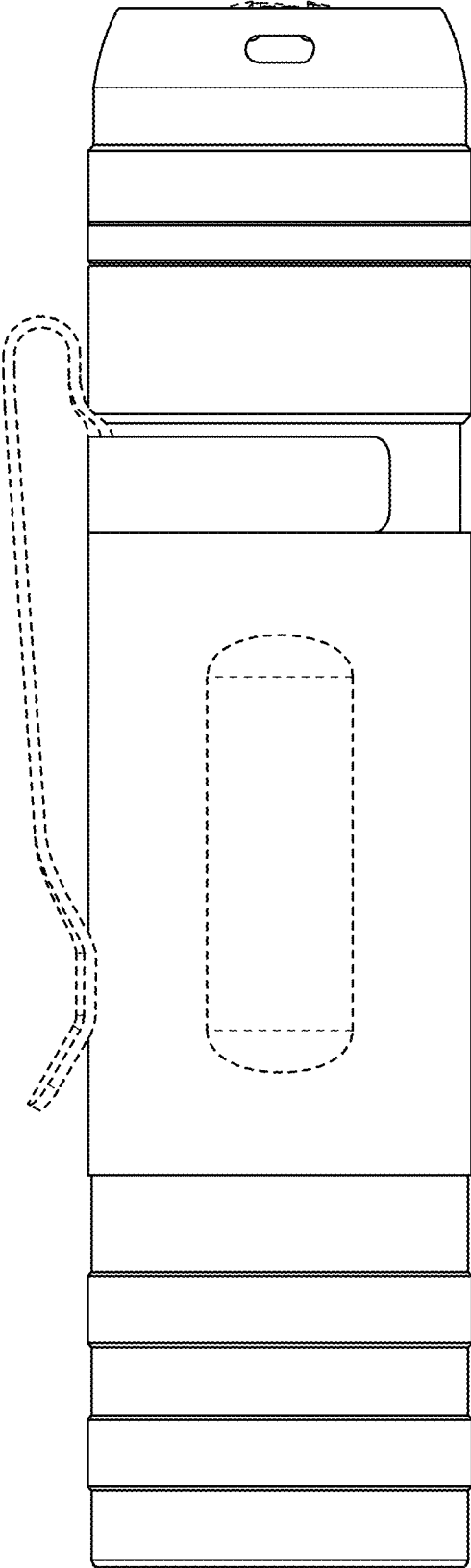


FIG. 2

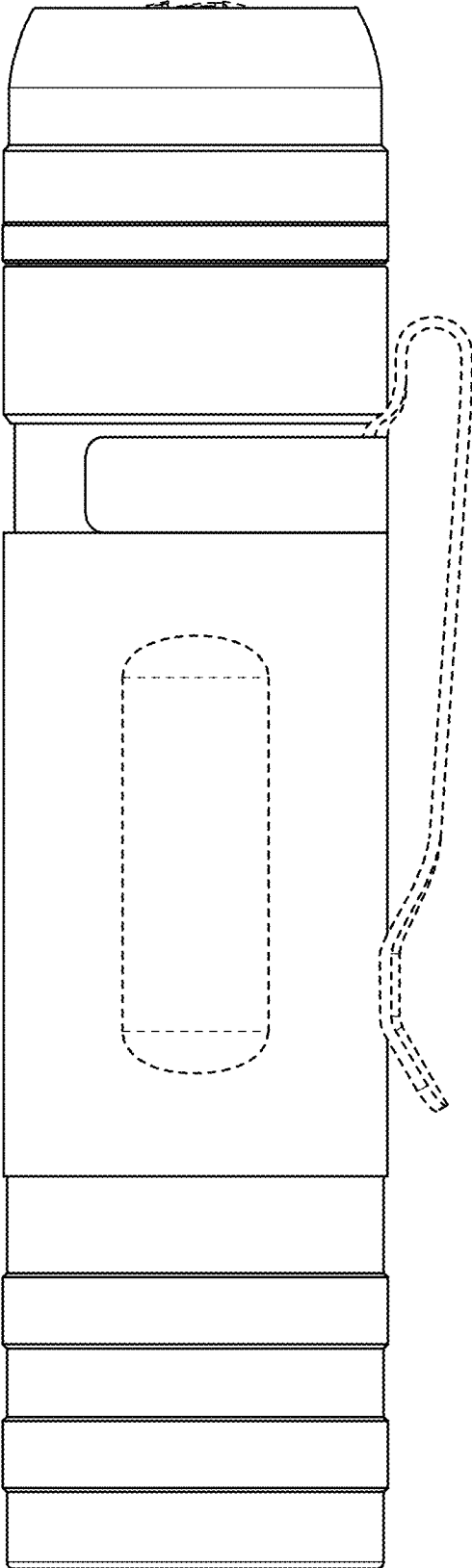


FIG. 3

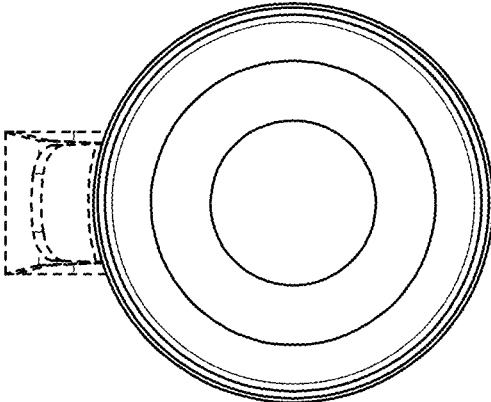


FIG. 4

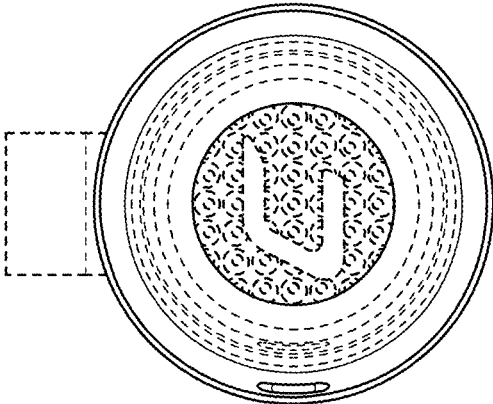


FIG. 5

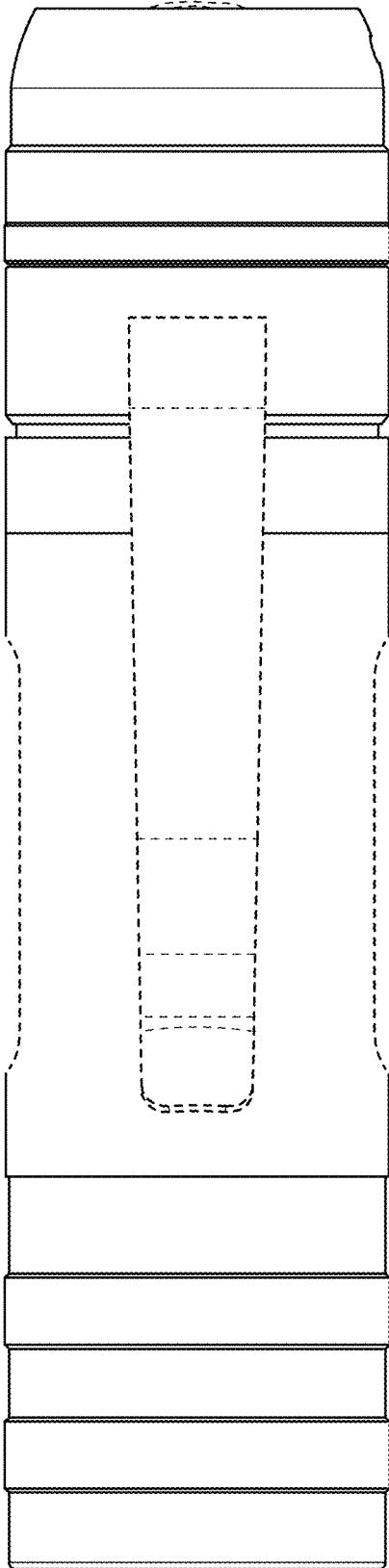


FIG. 6

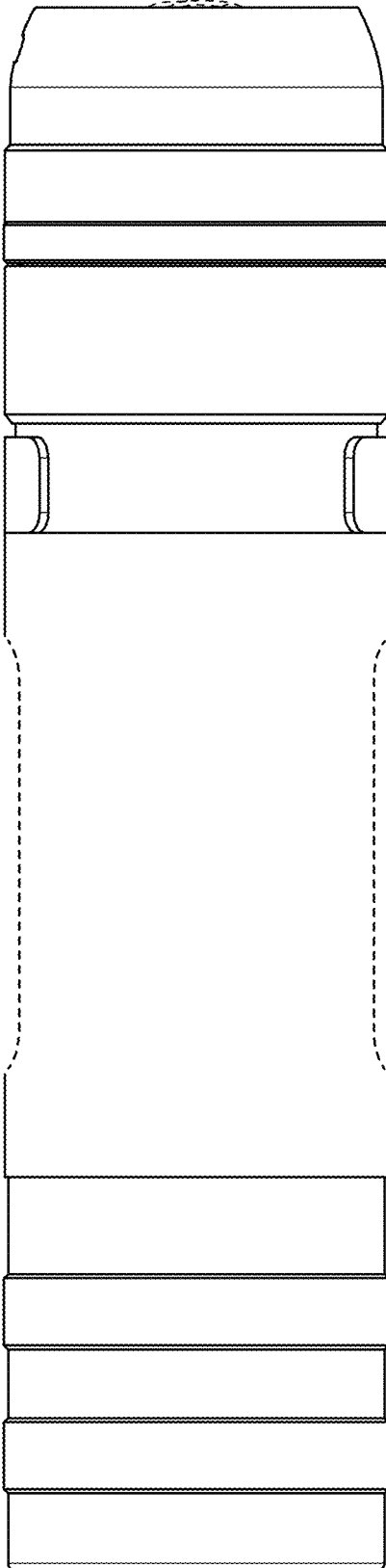


FIG. 7