



(12) **United States Design Patent**
Hersh et al.

(10) **Patent No.:** **US D800,752 S**
(45) **Date of Patent:** **** Oct. 24, 2017**

(54) **DISPLAY SCREEN OR PORTION THEREOF WITH ANIMATED GRAPHICAL USER INTERFACE**

- (71) Applicant: **Smule, Inc.**, San Francisco, CA (US)
- (72) Inventors: **Benjamin Hersh**, San Francisco, CA (US); **John Shimmin**, San Francisco, CA (US); **Jeannie Yang**, San Francisco, CA (US); **Perry R. Cook**, Jacksonville, OR (US)
- (73) Assignee: **Smule, Inc.**, San Francisco, CA (US)
- (**) Term: **15 Years**
- (21) Appl. No.: **29/566,085**
- (22) Filed: **May 26, 2016**

Related U.S. Application Data

- (63) Continuation-in-part of application No. 14/879,075, filed on Oct. 8, 2015, now abandoned.
- (51) **LOC (10) Cl.** **14-04**
- (52) **U.S. Cl.**
USPC **D14/486**
- (58) **Field of Classification Search**
USPC D14/485-495
CPC .. G06F 3/0481; G06F 3/04817; G06F 3/0482; G06F 3/0488; G06F 3/04883
See application file for complete search history.

(56) **References Cited**

U.S. PATENT DOCUMENTS

D626,131 S *	10/2010	Kruzeniski	D14/485
D650,793 S *	12/2011	Impas	D14/489
D667,423 S *	9/2012	Nagamine	D14/488
D704,220 S *	5/2014	Lim	D14/492
D726,221 S *	4/2015	Gomez	D14/492
D727,938 S *	4/2015	Lee	D14/486
D728,599 S *	5/2015	Lee	D14/486
D737,325 S *	8/2015	Kim	D14/489
D737,854 S *	9/2015	Kim	D14/489

(Continued)

OTHER PUBLICATIONS

Sing! Karaoke by Smule on Apple TV, by Smule, published Oct. 29, 2015, youtube.com [online], [retrived Jun. 7, 2017]. Available from internet <URL:https://www.youtube.com/watch?v=9VXGC3oGwxQ>.*

Primary Examiner — Cathron Brooks
Assistant Examiner — Andrew Nemeth
(74) *Attorney, Agent, or Firm* — Haynes and Boone, LLP

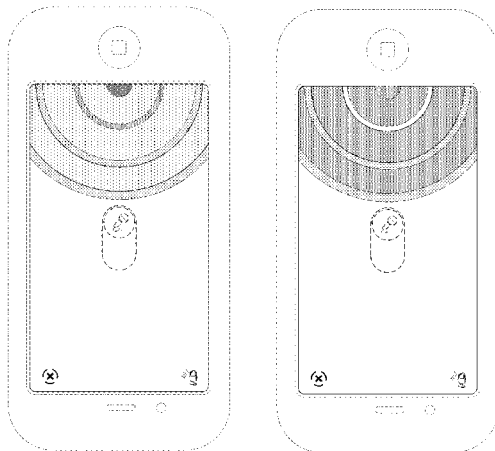
(57) **CLAIM**

The ornamental design for an display screen or portion thereof with animated graphical user interface, as shown and described.

DESCRIPTION

FIG. 1 is a front view of a first image of an display screen or portion thereof with animated graphical user interface showing our new design; FIG. 2 is a front view of a second image thereof; FIG. 3 is a front view of a third image thereof; FIG. 4 is a front view of a fourth image thereof; FIG. 5 is a front view of a fifth image thereof; and, FIG. 6 is a perspective view of a fifth image thereof. The appearance of the animated images transitions between the images shown in FIGS. 1-5. The process or period in which one image transitions to another forms no part of the claimed design. The broken line showing of an electronic device and display screen illustrate environmental structure and the article of manufacture, respectively. The broken line showing of the centralized microphone icon with surrounding slider, the 'X within a circle' icon, and the 'microphone and stars' icon illustrate portions of the graphical user interface. The broken line showing of a person in FIG. 6 illustrates environment. None of the broken lines form part of the claimed design.

1 Claim, 4 Drawing Sheets



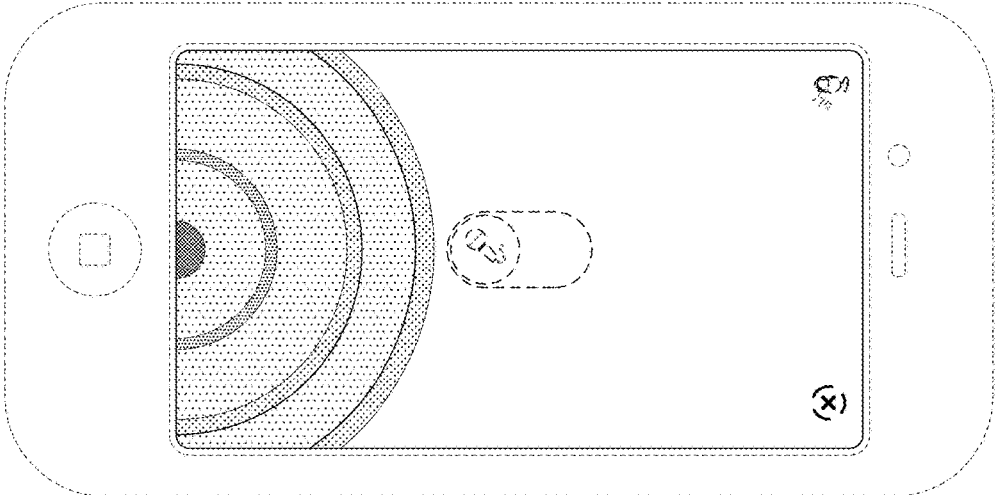


Fig. 1

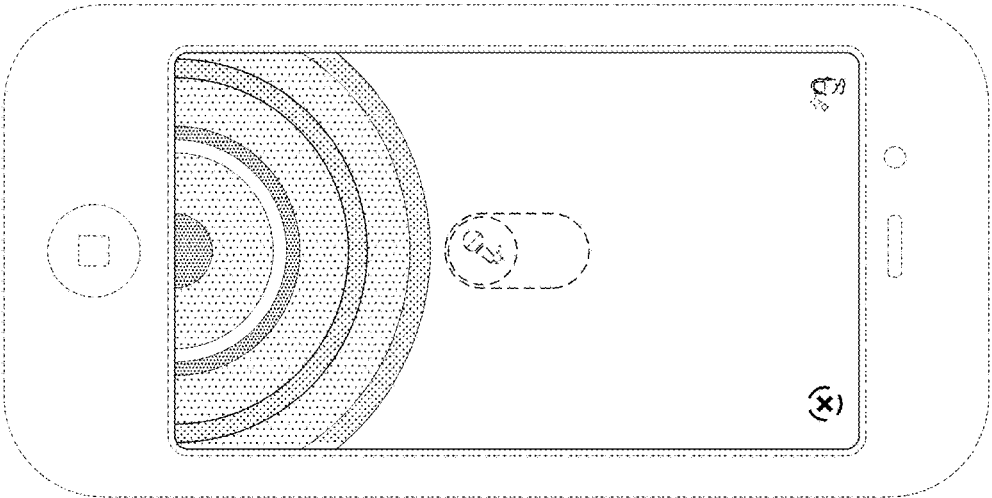


Fig. 2

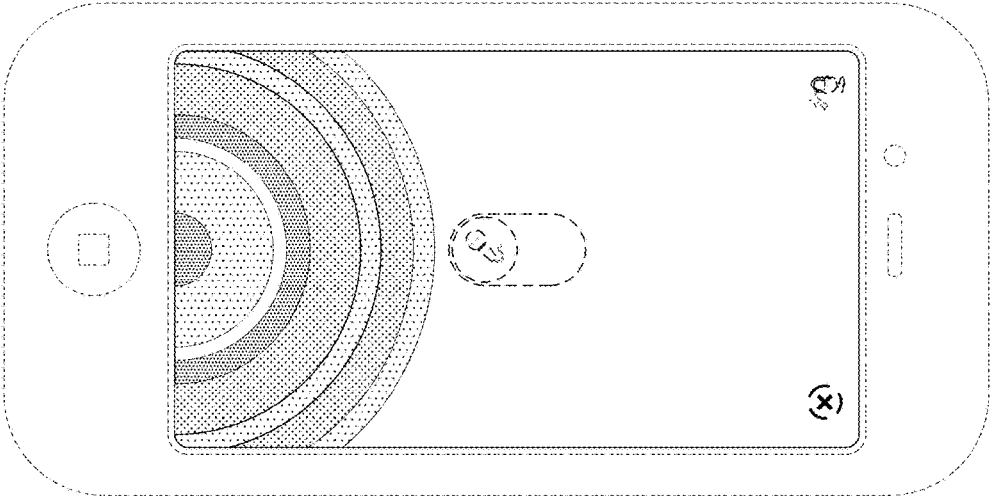


Fig. 3

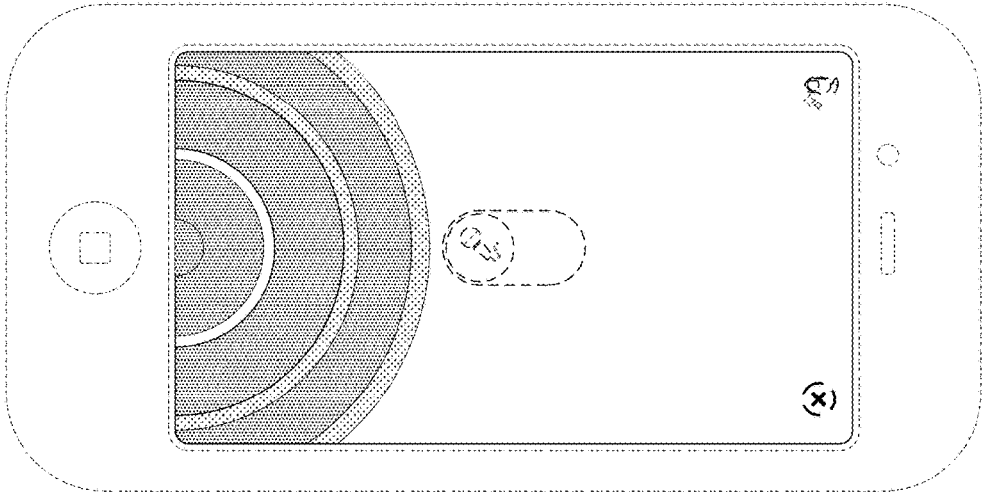


Fig. 5

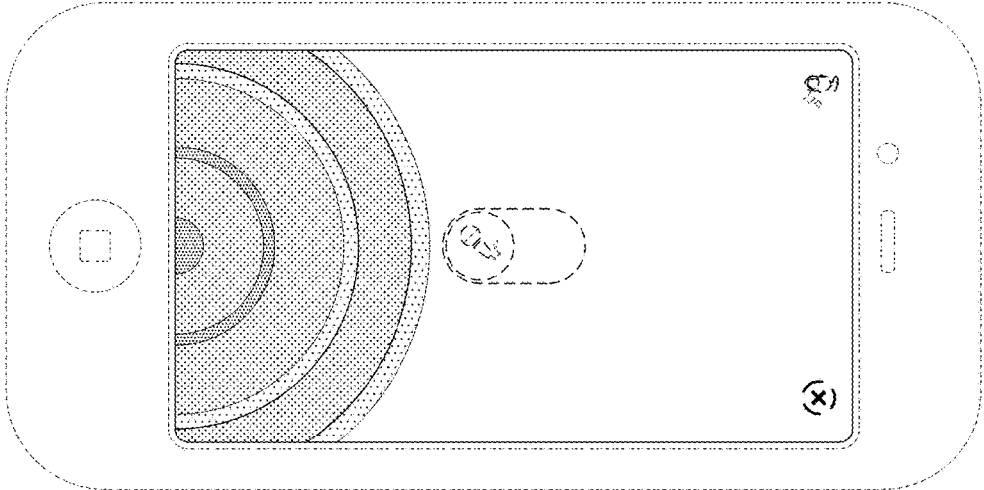


Fig. 4

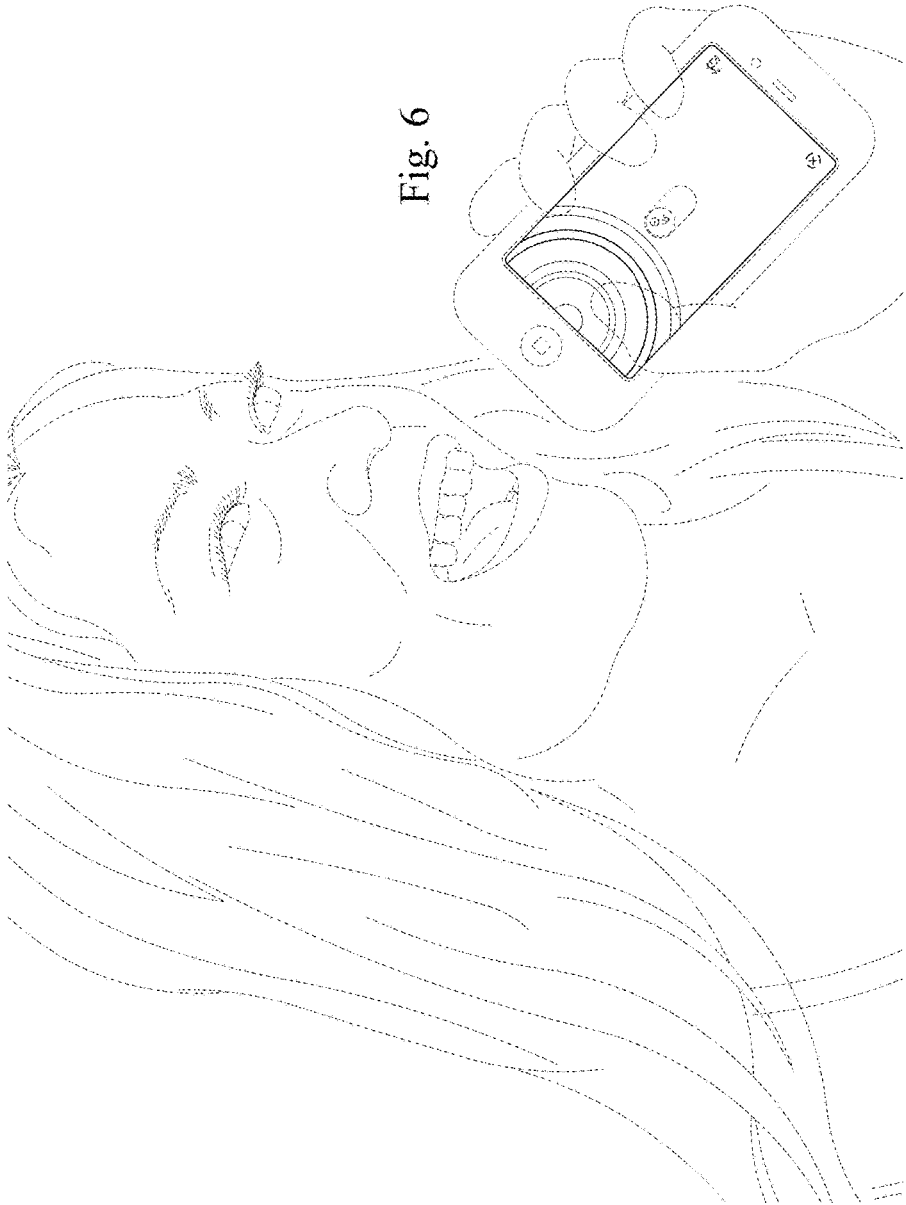


Fig. 6