

(19) World Intellectual Property  
Organization  
International Bureau



(43) International Publication Date  
15 January 2004 (15.01.2004)

PCT

(10) International Publication Number  
WO 2004/004976 A3

(51) International Patent Classification<sup>7</sup>: B25B 1/00

(21) International Application Number:  
PCT/US2003/021197

(22) International Filing Date: 7 July 2003 (07.07.2003)

(25) Filing Language: English

(26) Publication Language: English

(30) Priority Data:  
60/395,800 9 July 2002 (09.07.2002) US  
60/475,132 2 June 2003 (02.06.2003) US

(71) Applicant (for all designated States except US): IRWIN INDUSTRIAL TOOL COMPANY [US/US]; 29 E. Stephenson Street, Freeport, IL 61032 (US).

(72) Inventors; and

(75) Inventors/Applicants (for US only): FULLER, Anthony, B. [US/US]; 1009 Pioneer Drive, Beatrice, NB 68310 (US). SPRINGER, Scott, Daniel [US/US]; 18 North Grant Street, Westmont, IL 60559 (US). CHERVENAK, Thomas, M. [US/US]; 1515 S. 3rd Street, Beatrice, NE 68310 (US).

(74) Agent: FREEMAN, John; Brinks Hofer Gilson & Lione, PO Box 10087, Chicago, IL 60610 (US).

(81) Designated States (national): AE, AG, AL, AM, AT, AU, AZ, BA, BB, BG, BR, BY, BZ, CA, CH, CN, CO, CR, CU, CZ, DE, DK, DM, DZ, EC, EE, ES, FI, GB, GD, GE, GH, GM, HR, HU, ID, IL, IN, IS, JP, KE, KG, KP, KR, KZ, LC, LK, LR, LS, LT, LU, LV, MA, MD, MG, MK, MN, MW, MX, MZ, NI, NO, NZ, OM, PG, PH, PL, PT, RO, RU, SC, SD, SE, SG, SK, SL, SY, TJ, TM, TN, TR, TT, TZ, UA, UG, US, UZ, VC, VN, YU, ZA, ZM, ZW.

(84) Designated States (regional): ARIPO patent (GH, GM, KE, LS, MW, MZ, SD, SL, SZ, TZ, UG, ZM, ZW), Eurasian patent (AM, AZ, BY, KG, KZ, MD, RU, TJ, TM), European patent (AT, BE, BG, CH, CY, CZ, DE, DK, EE, ES, FI, FR, GB, GR, HU, IE, IT, LU, MC, NL, PT, RO, SE, SI, SK, TR), OAPI patent (BF, BJ, CF, CG, CI, CM, GA, GN, GQ, GW, ML, MR, NE, SN, TD, TG).

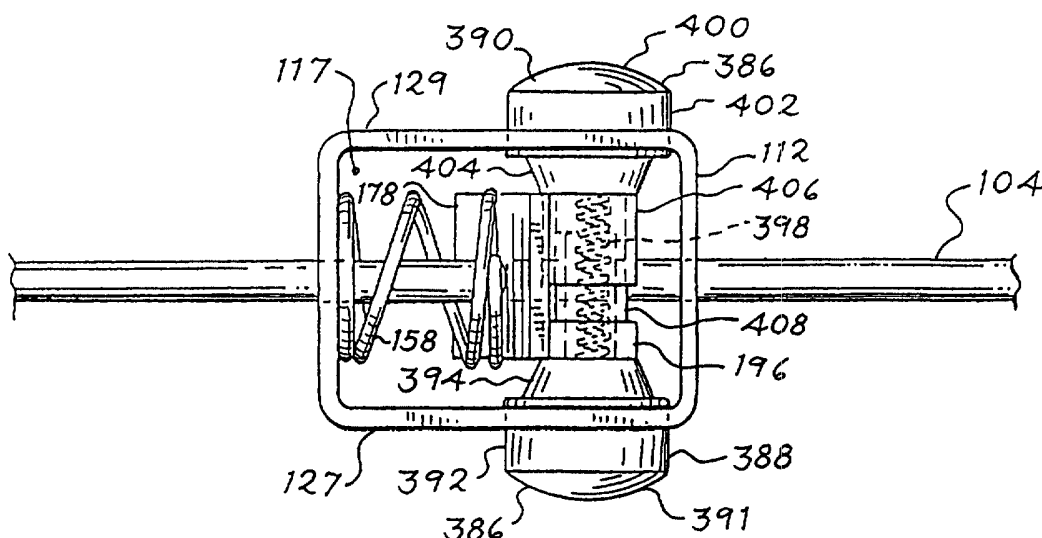
Published:

- with international search report
- before the expiration of the time limit for amending the claims and to be republished in the event of receipt of amendments

(88) Date of publication of the international search report:  
1 April 2004

For two-letter codes and other abbreviations, refer to the "Guidance Notes on Codes and Abbreviations" appearing at the beginning of each regular issue of the PCT Gazette.

(54) Title: BAR CLAMP WITH SIDE-ACTIVATED BRAKING LEVER



(57) Abstract: A clamp that includes a first clamping jaw, a support element to which the first clamping jaw is attached and a clamp body having a first slot through which the support element passes along a first direction and an opening that faces in a direction that is substantially perpendicular to the first direction. A handle grip attached to the clamp body, a braking lever and a brake actuator that contacts the braking lever and includes an engagement element that extends through the opening.

WO 2004/004976 A3

# INTERNATIONAL SEARCH REPORT

International application No.

PCT/US03/21197

## A. CLASSIFICATION OF SUBJECT MATTER

IPC(7) : B25B 1/00  
 US CL : 269/6, 3, 70

According to International Patent Classification (IPC) or to both national classification and IPC

## B. FIELDS SEARCHED

Minimum documentation searched (classification system followed by classification symbols)

U.S. : 269/6, 3, 70, 166, 167, 168, 169, 170, 171, 194, 203, 197, 198, 199, 228, 171.5; 81/487

Documentation searched other than minimum documentation to the extent that such documents are included in the fields searched

Electronic data base consulted during the international search (name of data base and, where practicable, search terms used)  
 EAST

## C. DOCUMENTS CONSIDERED TO BE RELEVANT

| Category * | Citation of document, with indication, where appropriate, of the relevant passages | Relevant to claim No. |
|------------|--|-----------------------|
| A          | US 6,412,767 B1 (BECKMANN et al) 02 July 2002 (02.07.2002), See Figure 2.          | 1-37                  |
| A          | US 6,338,475 B1 (PING) 15 January 2002 (15.01.2002), See Figure 2                  | 1-37                  |



Further documents are listed in the continuation of Box C.



See patent family annex.

| * Special categories of cited documents: |   | "T" | later document published after the international filing date or priority date and not in conflict with the application but cited to understand the principle or theory underlying the invention  |
|--|---|-----|--|
| "A"                                      | document defining the general state of the art which is not considered to be of particular relevance  | "X" | document of particular relevance; the claimed invention cannot be considered novel or cannot be considered to involve an inventive step when the document is taken alone   |
| "E"                                      | earlier application or patent published on or after the international filing date   | "Y" | document of particular relevance; the claimed invention cannot be considered to involve an inventive step when the document is combined with one or more other such documents, such combination being obvious to a person skilled in the art |
| "L"                                      | document which may throw doubts on priority claim(s) or which is cited to establish the publication date of another citation or other special reason (as specified) | "&" | document member of the same patent family  |
| "O"                                      | document referring to an oral disclosure, use, exhibition or other means  |     |  |
| "P"                                      | document published prior to the international filing date but later than the priority date claimed  |     |  |

Date of the actual completion of the international search

25 November 2003 (25.11.2003)

Date of mailing of the international search report

**21 JAN 2004**

Name and mailing address of the ISA/US

Mail Stop PCT, Attn: ISA/US  
 Commissioner for Patents  
 P.O. Box 1450  
 Alexandria, Virginia 22313-1450

Facsimile No. (703)305-3230

Authorized officer

Joseph Hail  
 Telephone No. 703-308-1148

*Sheela H. Veney*  
 Sheela H. Veney  
 Paralegal Specialist  
 Tech. Center 3700