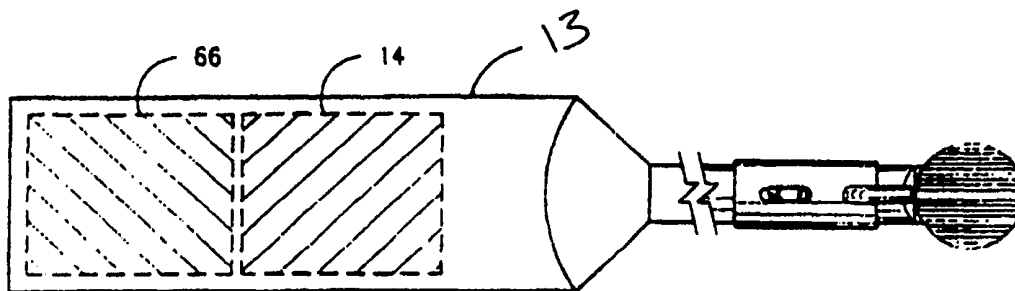




INTERNATIONAL APPLICATION PUBLISHED UNDER THE PATENT COOPERATION TREATY (PCT)

(51) International Patent Classification ⁶ : A61B 17/00	A1	(11) International Publication Number: WO 99/63891 (43) International Publication Date: 16 December 1999 (16.12.99)
<p>(21) International Application Number: PCT/US99/12890</p> <p>(22) International Filing Date: 9 June 1999 (09.06.99)</p> <p>(30) Priority Data: 09/094,036 9 June 1998 (09.06.98) US</p> <p>(71)(72) Applicant and Inventor: MICHELSON, Gary, K. [US/US]; 438 Sherman Canal, Venice, CA 90291 (US).</p> <p>(74) Agents: MARTIN, Thomas, H. et al.; Finnegan, Henderson, Farabow, Garrett & Dunner, L.L.P., 1300 I Street, N.W., Washington, DC 20005-3315 (US).</p>	<p>(81) Designated States: AE, AL, AM, AT, AU, AZ, BA, BB, BG, BR, BY, CA, CH, CN, CU, CZ, DE, DK, EE, ES, FI, GB, GD, GE, GH, GM, HR, HU, ID, IL, IN, IS, JP, KE, KG, KP, KR, KZ, LC, LK, LR, LS, LT, LU, LV, MD, MG, MK, MN, MW, MX, NO, NZ, PL, PT, RO, RU, SD, SE, SG, SI, SK, SL, TJ, TM, TR, TT, UA, UG, US, UZ, VN, YU, ZA, ZW, ARIPO patent (GH, GM, KE, LS, MW, SD, SL, SZ, UG, ZW), Eurasian patent (AM, AZ, BY, KG, KZ, MD, RU, TJ, TM), European patent (AT, BE, CH, CY, DE, DK, ES, FI, FR, GB, GR, IE, IT, LU, MC, NL, PT, SE), OAPI patent (BF, BJ, CF, CG, CI, CM, GA, GN, GW, ML, MR, NE, SN, TD, TG).</p> <p>Published <i>With international search report.</i></p>	

(54) Title: DEVICE FOR PREPARING A SPACE BETWEEN ADJACENT VERTEBRAE TO RECEIVE AN INSERT



(57) Abstract

This invention is a device (10), and method for use in a human spine to prepare a space between adjacent vertebral bodies into the vertebral end plates to receive an implanting insert. The device (10) includes a handle (13), a shaft (12), and a mounting member (16) at one end of the shaft (12). An abrading element (18) is mounted on the mounting member (16) and is coupled to a drive mechanism (14). The drive mechanism (14) is operable to move the abrading element (18) in at least one degree of freedom to create surfaces having predetermined contours in the end plates of the adjacent vertebral bodies.

FOR THE PURPOSES OF INFORMATION ONLY

Codes used to identify States party to the PCT on the front pages of pamphlets publishing international applications under the PCT.

AL	Albania	ES	Spain	LS	Lesotho	SI	Slovenia
AM	Armenia	FI	Finland	LT	Lithuania	SK	Slovakia
AT	Austria	FR	France	LU	Luxembourg	SN	Senegal
AU	Australia	GA	Gabon	LV	Latvia	SZ	Swaziland
AZ	Azerbaijan	GB	United Kingdom	MC	Monaco	TD	Chad
BA	Bosnia and Herzegovina	GE	Georgia	MD	Republic of Moldova	TG	Togo
BB	Barbados	GH	Ghana	MG	Madagascar	TJ	Tajikistan
BE	Belgium	GN	Guinea	MK	The former Yugoslav Republic of Macedonia	TM	Turkmenistan
BF	Burkina Faso	GR	Greece			TR	Turkey
BG	Bulgaria	HU	Hungary	ML	Mali	TT	Trinidad and Tobago
BJ	Benin	IE	Ireland	MN	Mongolia	UA	Ukraine
BR	Brazil	IL	Israel	MR	Mauritania	UG	Uganda
BY	Belarus	IS	Iceland	MW	Malawi	US	United States of America
CA	Canada	IT	Italy	MX	Mexico	UZ	Uzbekistan
CF	Central African Republic	JP	Japan	NE	Niger	VN	Viet Nam
CG	Congo	KE	Kenya	NL	Netherlands	YU	Yugoslavia
CH	Switzerland	KG	Kyrgyzstan	NO	Norway	ZW	Zimbabwe
CI	Côte d'Ivoire	KP	Democratic People's Republic of Korea	NZ	New Zealand		
CM	Cameroon			PL	Poland		
CN	China	KR	Republic of Korea	PT	Portugal		
CU	Cuba	KZ	Kazakstan	RO	Romania		
CZ	Czech Republic	LC	Saint Lucia	RU	Russian Federation		
DE	Germany	LI	Liechtenstein	SD	Sudan		
DK	Denmark	LK	Sri Lanka	SE	Sweden		
EE	Estonia	LR	Liberia	SG	Singapore		

DEVICE FOR PREPARING A SPACE BETWEEN
ADJACENT VERTEBRAE TO RECEIVE AN INSERT

RELATED APPLICATIONS

The present application claims priority to U.S. Patent Application Serial No. 09/094,036, filed June 9, 1998, which is hereby incorporated by reference.

FIELD OF THE INVENTION

The present invention relates to a device for insertion into a disc space between adjacent vertebral bodies in the human spine, and a method of working on those portions of the vertebral bodies adjacent that disc space to remove bone material and thereby access vascular bone. The device and associated method forms a surface on each of the vertebral body surfaces that are adjacent the intervertebral disc space, either sequentially, or in an alternative embodiment, simultaneously. The formed surface(s) have a shape and a contour corresponding to an interbody spinal insert to be implanted in the disc space.

BACKGROUND OF THE INVENTION

Inserts for placement between adjacent vertebrae in the spine come in a variety of shapes and sizes and are made of a variety of materials. Such inserts may or may not be designed to promote fusion of the adjacent vertebral bodies. Inserts not intended to participate in or to promote fusion of the adjacent vertebrae, for example an artificial spinal disc, are intended to maintain the spacing between the adjacent

vertebrae and to permit relative motion between those vertebrae. Such inserts may or may not include some type of surface treatment or structure designed to cause the vertebrae to attach and grow onto the surface of the insert to thereby stabilize the insert. Another type of insert comprises bone grafts. Such bone grafts are typically intended to participate in and to promote fusion of the adjacent vertebrae. Another type of insert for use in human spinal surgery comprises implants made of selected inert materials, such as titanium, that have a structure designed to promote fusion of the adjacent vertebrae by allowing bone to grow through the insert to thereby fuse the adjacent vertebrae. This last type of insert is intended to remain indefinitely within the patient's spine.

The first known example of this last type of insert (for use in humans) is described in U.S. Patent No. 5,015,247, which, in its preferred embodiment, discloses a hollow, threaded, cylindrical, perforated fusion implant device made of a material other than and stronger than bone and which is intended to cause fusion of adjacent vertebral bodies. A fusion promoting material, such as cancellous bone for example, is packed within the hollow portion of the implant and participates in the fusion. As used herein, the term fusion defines the growth of bone tissue from one vertebral body across a disc space to an adjacent vertebral body to thereby substantially eliminate relative motion between those vertebrae.

Human vertebral bodies are comprised of a dense, hard outer shell and a relatively less dense inner mass. The hard outer shell is very densely compacted cancellous bone, resembling cortical bone at all but high magnification, and is generally referred to as the cortex. The inner mass is softer cancellous bone. The outer shell of

cortex bone that is adjacent the disc and the bone immediately adjacent, and deep to it (both are subchondral, that is, beneath the cartilage layer that separates the bone from the disc), are defined for the specific purposes of this specification to comprise the "end plate region" or "end plate" to avoid any confusion that might otherwise arise from any inconsistency in the use of any of these terms. While it is understood that these terms may have other meanings more ordinary or special, and that those of ordinary skill in the art might otherwise differ as to the correct meanings of these terms, it is exactly for the purpose of removing any ambiguity that these terms are being so precisely defined specifically for this specification.

For the purposes of this application only, and to avoid any possible confusion, the term "apophysical rim" is defined to be the bony rim of the densely compacted cancellous bone disposed peripherally about each of the opposed bony vertebral end plate regions of a human vertebral body. The rim is at least in part the all-bony remnant of what was the cartilaginous apophysical growth area prior to the conversion of that cartilage to bone at skeletal maturation.

The spinal disc that resides between adjacent vertebral bodies maintains the spacing between those vertebral bodies and, in a healthy spine, allows for relative motion between the vertebrae. At the time of surgery, for example in the instance where fusion is intended to occur between adjacent vertebral bodies of a patient's spine, the surgeon typically prepares an opening at the site of the intended fusion by removing some or all of the disc material that exists between the adjacent vertebral bodies to be fused. Because the outermost layers of bone of the vertebral end plate are relatively inert to new bone growth, the surgeon must work on the end plate to

remove at least the outermost cell layers of bone to gain access to the blood-rich, vascular bone tissue within the vertebral body. In this manner, the vertebrae are prepared in a way that encourages new bone to grow onto or through an insert that is placed between the vertebrae.

Present methods of forming this space between adjacent vertebrae generally include the use of one or more of the following: hand held biting and grasping instruments known as rongeurs; drills and drill guides; rotating burrs driven by a motor; and osteotomes and chisels. Sometimes the vertebral end plate must be sacrificed as occurs when a drill is used to drill across the disc space and deeper into the vertebrae than the thickness of the end plate. Such a surgical procedure necessarily results in the loss of the hardest and strongest bone tissue of the vertebrae--the end plate--and thereby robs the vertebrae of that portion of its structure best suited to absorbing and supporting the loads placed on the spine by everyday activity. Nevertheless, the surgeon must use one of the above instruments to work upon the adjacent end plates of the adjacent vertebrae to access the vascular, cancellous bone that is capable of participating in the fusion and causing active bone growth, and also to attempt to obtain an appropriately shaped surface in the vertebral bodies to receive the insert. Because the end plates of the adjacent vertebrae are not flat, but rather have a compound curved shape, and because the inserts, whether made of donor bone or a suitable implant material, tend to have a geometric rather than a biologic shape, it is necessary to conform the vertebrae to the shape of the insert to be received therebetween.

It is important in forming the space between the adjacent bone structures to provide a surface contour that closely matches the contour of the inserts so as to

provide an adequate support surface across which the load transfer between the adjacent bone structures can be evenly applied. In instances where the surgeon has not been able to form the appropriately shaped space for receiving the inserts, those inserts may slip or be forcefully ejected from the space between the adjacent vertebrae, or lacking broad contact between the insert and the vertebrae, a failure to obtain fusion may occur.

Furthermore, no known prior art device for preparing the vertebral end plates to receive an insert includes a working element that corresponds in shape, size, or contour to the shape of the insert to be implanted. That is, the known devices must be moved from side to side and in and out within the intervertebral space by an amount that exceeds the dimensions of the working element of the device, e.g., the rotating burr of a motor driven routing instrument or the working end of known osteotomes and chisels.

OBJECTS OF THE PRESENT INVENTION

It is an object of the present invention to provide a device and method for quickly, safely, effectively, and accurately working upon a vertebral body end plate adjacent a disc space so as to, while preserving that end plate at least in part, remove bone to produce a receiving surface corresponding in size, shape, and contour to an insert to be implanted between the adjacent vertebrae.

It is a further object of the present invention, in at least certain embodiments, to provide a device capable of simultaneously working upon both of the vertebral body end plates adjacent a disc space to produce opposed receiving surfaces in the adjacent end

plates corresponding in size, shape and contour to an insert to be implanted, and in so doing to define the shape to the insert space.

It is a further object of the present invention to provide a vertebral interspace preparation device that, in a preferred embodiment, is capable of working with linear insertion, i.e., insertion along a single axis, and without the need to substantially move the device from side to side within the disc space along a second axis. In such a preferred embodiment, the device has at its working end an abrading element having a width generally corresponding to the width of the insert to be implanted.

It is a further object of the present invention to have a safety mechanism built into the device that limits the depth of insertion of the device into the spine.

It is a further object of the present invention to provide a vertebral interspace preparation device that has interchangeable ends so as to be capable of producing a variety of differently sized and contoured surfaces and shapes within the intervertebral space.

It is a further object of the present invention to have abrading surfaces extending to the leading end of the device such that the device may remove bone along its leading end as it is advanced within the disc space.

These and other objectives of the present invention will occur to those of ordinary skill in the art based on the description of the preferred embodiments of the present invention described below. However, not all embodiments of the inventive features of the present invention need achieve all the objectives identified above, and the invention in its broadest aspects is not limited to the preferred embodiments described herein.

BRIEF DESCRIPTION OF THE DRAWINGS

Fig. 1 is a partial top view of a first preferred embodiment of a device embodying the present invention, which device includes an abrading element having a single abrading surface;

Fig. 1A is a full top view of the device of Fig. 1 illustrating the handle of the device;

Fig. 2 is a side view of the device shown in Fig. 1;

Fig. 3 is an end view of the device shown in Figs. 1 and 2;

Fig. 4 is a second top view of the device shown in Fig. 1 and also illustrates the preferred range and type of motion of the abrading element;

Fig. 4A is a partial view of the device of Figs. 1-4 showing a preferred mechanism for connecting the handle to the device shaft;

Fig. 5 is a detailed view of a portion of the device shaft illustrating notches used to hold a stop member in a selected position;

Fig. 6 is a detailed view of a spring-biased lever mechanism that may be used to adjust the position of a stop member;

Fig. 7 is a detailed view of a coupling mechanism that may be used to movably couple the drive mechanism to the abrading element;

Fig. 8 is a detailed view of the mounting member disposed at the distal end of the device shaft;

Fig. 9 is a further detailed view of the coupling mechanism and mounting member illustrated in Figs. 7 and 8;

Fig. 10 is a detailed view illustrating a preferred way of movably connecting the coupling mechanism to the abrading element;

Fig. 11 is top view of a first vertebral body having a surface prepared in one of the end plates by a device incorporating the present invention;

Fig. 12 is a top view of a second vertebral body, different than that shown in Fig. 11, having a surface prepared in one of the end plates by a device incorporating the present invention;

Fig. 13 is a cutaway side view of the vertebral body shown in Fig. 12;

Fig. 14 is a cutaway side view of adjacent vertebral bodies having their respective adjacent end plates prepared by a device incorporating the present invention to form a space configured to receive an insert;

Fig. 15 is an exaggerated perspective view of the vertebral body illustrated in Fig. 12 showing the formation of the receiving surface in the vertebral end plate;

Fig. 15A is a top view of a section of a human spine illustrating the portion of the disc that is typically removed to accommodate the implantation of an intervertebral insert;

Fig. 16 is a top view of a second preferred embodiment of a device embodying the present invention, which device includes an abrading element having two abrading surfaces;

Fig. 16A is a top view of the device of Fig. 16 illustrating irrigation and suction tubes that may be incorporated into the device;

Fig. 17 is a side view of the device shown in Fig. 16;

Fig. 17A is a side view of the device shown in Fig. 16A;

Fig. 17B is a detailed view of one possible drive mechanism that may be used with the second embodiment of the present invention;

Fig. 18 is an alternative embodiment of an abrading element having two abrading surfaces, which abrading surfaces are inclined relative to one another to form a space between the adjacent vertebral bodies that approximates the lordotic curvature of a human spine at the location that will receive the interbody insert;

Fig. 19 is a cutaway side view of adjacent vertebral bodies showing a lordotically configured space created between the vertebrae by the abrading element shown in Fig. 18;

Fig. 20 shows an alternative embodiment of a mechanism for driving an abrading element;

Fig. 21 illustrates an alternative path of motion possible for an abrading element according to the present invention;

Fig. 22 illustrates a further alternative path of motion possible for the abrading element;

Fig. 23 illustrates an alternative configuration of the abrading element suitable for creating concave insert receiving surfaces on the adjacent vertebral end plates;

Fig. 24A is a side view of a vertebral body illustrating end plates or end plate regions;

Fig. 24B is a cutaway top view of a vertebral body illustrating the apophysical rim and cancellous bone;

Fig. 25A is a perspective view of an alternative to the second preferred embodiment of a device embodying the present invention, which device includes an abrading element having two abrading surfaces;

Fig. 25B is a top view of the device shown in Fig. 25A;

Fig. 26 is a detailed side view of one possible drive mechanism that may be used with the alternative to the second preferred embodiment of the present invention;

Fig. 27 is an alternative embodiment of an abrading element having upper and lower disc-shaped members angled relative to each other to form a space between the adjacent vertebral bodies that approximates the lordotic curvature of a human spine at the location that will receive the interbody insert;

Fig. 28 is a top view of the device of Fig. 25A illustrating irrigation and suction tubes that may be incorporated into the device;

Fig. 29 is a perspective view of the device of Fig. 25A and a guide for providing protected access to the space between adjacent vertebral bodies;

Fig. 30 is a side view of a disc penetrating extension inserted between adjacent vertebral bodies;

Fig. 31A is a rear perspective view of the guide of Fig. 25A;

Fig. 31B is a perspective view of the guide of Fig. 25A illustrating tapered disc penetrating extensions;

Fig. 31C is a perspective view of the guide of Fig. 25A illustrating disc penetrating extensions with parallel upper and lower surfaces;

Fig. 31D is a perspective view of the guide of Fig. 25A illustrating substantially lordotic disc penetrating extensions;

Fig. 32A is a rear perspective view of the guide of Fig. 25A illustrating female tracks;

Fig. 32B is a rear perspective view of the guide of Fig. 25A illustrating the absence of tracks;

Fig. 33 is a rear perspective view of the guide of Fig. 25A including a slotted extension;

Fig. 34A is a partial perspective view of the guide of Fig. 25A illustrating a distance between the front and rear portions;

Fig. 34B is a partial side view of the guide of Fig. 34A;

Fig. 35A is a cross-sectional view of the body of the guide of Fig. 25A;

Fig. 35B shows an alternative circular cross-section of the body of the guide of Fig. 25A; and

Fig. 35C shows an alternative oval or rounded cross-section of the body of the guide of Fig. 25A.

SUMMARY OF THE INVENTION

The device, in its preferred embodiment, generally comprises an abrading element movably and replaceably mounted on the distal end of a shaft, and a depth limiting mechanism to control the depth of insertion of the abrading element into the intervertebral space (i.e., the disc space). The device also includes a handle that may be detachable from the shaft. As used herein, the term "handle" refers to a portion of the device that a surgeon may grip or otherwise manipulate to guide the working end of the device. That "handle" may, in fact, have multiple purposes. For example, the

handle may be a portion of the shaft on which the abrading element is mounted at one end. Alternatively, the handle may be part of a segment that connects the device to a power source, for example, part of a conduit that supplies pressurized gas if the power source is turbine driven. In any event, the term "handle" is used herein in its broadest context to refer to that portion of the device that the surgeon chooses to grasp.

Additionally the shaft may be detachable from the abrading element. The device also includes a drive mechanism for transmitting power to activate, i.e., move, the abrading element, and the drive mechanism is connected to an energy source, e.g., a rechargeable battery, that may be housed within the handle of the device. By way of example only, the drive mechanism may comprise an electric motor or an electromagnetic oscillating mechanism. Or, again by way of example only, the drive mechanism and handle in which it is disposed may comprise the head unit of a gas powered turbine of the type commonly used in other surgical instruments.

In the preferred embodiment, the abrading element is generally as wide as the insert to be implanted between the adjacent vertebral bodies adjacent the disc space. The receiving bed, i.e., the prepared surface of the vertebrae, when formed by the device, will correspond in shape, size, and contour to the corresponding surfaces of the insert to be implanted. By way of example only, the surface produced may be flat or concave, or of some other desired shape and size so as to correspond to the upper or lower vertebrae contacting surfaces of the insert that will be implanted between the vertebrae. The device may also include a leading end that is capable of cutting through bone and/or disc material to form a pocket having a contour corresponding to the forward aspect and leading end of the insert to be implanted.

In a first preferred embodiment, the abrading element includes a single abrading surface that works on one vertebral surface at a time within the disc space.

In a second preferred embodiment, the abrading element includes a pair of opposed, outwardly facing abrading surfaces which lie in planes that may be either parallel to each other or, alternatively, convergent to each other. This embodiment of the present invention offers the further benefits of saving time by simultaneously preparing both of the vertebral end plates adjacent a disc space. The second embodiment not only includes the ability to simultaneously create two opposed surfaces, but also to shape the three-dimensional space that will be created between the adjacent vertebrae, which shape can be made to conform to the desired lordosis of that portion of the spine that will receive the insert.

However, the abrading element of the present invention is not limited to being a unitary, one piece construction, regardless of the number of abrading surfaces the abrading element may have. The abrading element may comprise multiple pieces that, by way of example and not limitation, are mountable on the end of the device to, in combination, define the overall shape of the abrading element and its abrading surface or surfaces. Thus, the term "abrading element" is used herein to refer to both a unitary, one piece construction or a multi-piece construction.

Thus, the present invention provides a device and method for preparing a disc space between adjacent vertebral bodies to receive an insert, and prepares that disc space by removing a portion of the end plate of the vertebrae adjacent that disc space to form predetermined surfaces in the end plates. The prepared surfaces are sized and contoured to have broad intimate contact with the insert to be implanted between the

adjacent vertebrae, which broad contact provides for increased insert stability. This broad area of intimate contact between the vertebrae and the insert promotes bone ingrowth from the vertebrae into the insert, and also provides a broad area over which to support the incumbent loads so as to minimize the risk of vertebral collapse or subsidence of the insert into the vertebra.

The abrading element is mounted on the mounting member and may be removable and interchangeable. In such an embodiment, the mounting member may be, but does not have to be, attachable to a shaft that is attachable to the handle. The abrading element and the mounting member may be separable from each other. Alternatively, the abrading element and the mounting member may, together, be removable from the handle. Various configurations of the abrading element and its abrading surface or surfaces can be used to form various contours in the adjacent vertebral bone structures.

In the instance where the abrading element has one abrading surface, the opposite surface of the abrading element, or the opposite surface of the mounting member, may be specifically designed to be non-abrading to the opposed adjacent vertebral end plate. Such a non-abrading surface may be designed to provide a mechanical advantage (such as achieved with a fulcrum) to allow the surgeon to increase the pressure of the abrading surface against the end plate being worked on, and, further, may be curved so as to be centering within the disc space by contact with a vertebral surface.

While the preferred embodiment of the present invention is discussed and disclosed herein with respect to creating a space between adjacent vertebrae in the

spine, the present invention is not limited to a device for creating a space between adjacent vertebrae, but can also be used in other portions of the body where it is desirable to place an insert between adjacent bone structures. Furthermore, and as alluded to above, an embodiment of the present invention may have upper and lower abrading surfaces that are in angular relationship to each other so as to, for example, match the natural lordotic curvature of the human spine at the location of the vertebrae to be operated upon. Similarly, certain of the abrading surfaces of the abrading element may be configured with a convex, or even compound, geometry so as to form surfaces in the adjacent bone structures having a desired contour. Additionally, sequentially larger ones of the abrading element, or mounting member, may be used to form the desired space in a step-wise fashion, or the abrading element may be sized to substantially match the final desired width of the surface to be formed in the vertebral end plate. Furthermore and also as noted above, the abrading element may be configured with a sharpened leading edge to allow the abrading element to "forward cut" as it is inserted between the adjacent vertebrae. In this manner, progressive insertion of the abrading element between the vertebrae can be facilitated.

While the present invention has been generally described above, and the preferred embodiments of that invention will be described in detail below, neither that general description nor the detailed description limits the scope of the present invention. That scope is defined solely by the claims appearing at the end of this patent specification.

DETAILED DESCRIPTION OF THE PRESENTLY CONTEMPLATED EMBODIMENTS

With reference to Figs. 1 and 1A, a first embodiment of the present invention comprises a disc space preparation device generally referred to by numeral 10. Device 10 includes a shaft 12 and a handle 13. Handle 13 may be formed with any number of known shapes designed to make the surgeon's grip on the handle more secure or comfortable. Similarly, handle 13 may include a soft rubber covering or may be formed, at least partially, of a material designed to promote a secure grip of the surgeon's hand on the handle. Those of ordinary skill in the art will recognize the many types of surface configurations or materials of which the handle can be made to achieve these goals.

With continued reference to Figs. 1 and 1A, disposed within handle 13 is a drive mechanism diagrammatically depicted by box 14. Although in the embodiment of the device shown in Figs. 1 and 1A the drive mechanism 14 is disposed within handle 13, it need not be disposed in the handle. The drive mechanism may be disposed completely or partially outside of the handle, for example, where the drive mechanism is a gas powered turbine element such as is used in some known surgical instruments. Drive mechanism 14 is operably connected to the proximal end of shaft 12 and is capable of moving an abrading element 18 disposed at a distal end 15 of shaft 12. Abrading element 18 has an abrading surface 19. Drive mechanism 14 moves abrading element 18 at a sufficiently high rate to quickly and efficiently cause abrading surface 19 to form the desired space and the desired surface contours in the adjacent vertebral bone structures. As illustrated in Fig. 2, the abrading element 18 is mounted on a mounting member 16 disposed at the distal end 15 of shaft 12. In this embodiment, the mounting member is fixed to shaft 12 and only the abrading element

moves. However, many alternative mechanisms for mounting the abrading element on the device are possible within the scope of the present invention, including a mechanism wherein mounting member 16 is movably attached to shaft 12 and the drive mechanism moves both the mounting member and the abrading element attached thereto. Also, mounting member 16 may be designed with a surface 17 on the side of the mounting member 16 opposite abrading element 18. Surface 17 is designed, in the embodiment shown, to bear against the end plate that is opposite the end plate being worked on by abrading element 18. In this manner, surface 17 provides a bearing surface that the surgeon may use to gain a mechanical advantage (such as with a lever) to contact abrading surface 19 of abrading element 18 against the end plate being worked on. Additionally, surface 17 may be curved as shown in Fig. 2, or otherwise shaped, to contact one end plate and, thereby, center or otherwise position abrading element 18 in the disc space.

As presently contemplated, the motion of the abrading element may be vibratory, reciprocatory, oscillatory, or rotary. In the first preferred embodiment of device 10, the motion of the abrading element is rotary in a clockwise then counterclockwise direction through a preferred range of motion of between 20° to 45°, as illustrated in Fig. 4. Whatever type and range of motion is selected for the abrading element, it will likely, although not necessarily, be in a direction that is generally parallel to the plane of the surface to be formed in the vertebral end plate. However, since the shape of that surface contour is not necessarily flat, neither is the direction of the motion of the abrading element necessarily parallel to all points on that desired surface contour.

By way of example and not limitation, the drive mechanism may comprise a magnetic driver of the type described in U.S. Patent No. 5, 263,218. Alternatively, the drive mechanism may take the form of a mechanical drive utilizing a cam mechanism such as described in U.S. Patent No. 5,383,242. Additionally, drive mechanisms used in known surgical power milling apparatus may also be used. U.S. Patent Application Serial No. 08/688,758 titled Milling Instrumentation and Method for Preparing a Space Between Adjacent Vertebral Bodies is hereby incorporated by reference. As presently contemplated, the drive mechanism should be capable of moving the abrading element and its abrading surface or surfaces at a speed sufficient to abrade the hard cortical bone of the vertebral end plate. The working range and speed of motion of the drive mechanism will be readily selected by those of skill in the art.

In one embodiment of the present invention utilizing reciprocating motion, the stroke or amount of reciprocating movement is relatively small and can be selected as desired to achieve the purpose of abrading the adjacent bone structures. That stroke may be selected based on the relative strength of the bone structures to be abraded, the relative strength of the material forming the abrading element, and the type of surface roughening formed on one or more surfaces of the abrading element. This relatively small reciprocating movement of the abrading element results in a tightly controlled excursion area between the adjacent vertebrae being prepared to receive an insert. In contrast, a motorized burr must be moved free hand and in a side-to-side motion within the disc space by the surgeon to form a space to receive an insert. Thus, use of such a motorized burr does not provide a way of forming a precise surface shape in the vertebral end plate. Additionally, because the motorized burr rotates in a

single direction, it may catch on a piece of the vertebra and cause the burr to jerk forcefully out of the intervertebral space. Such an occurrence will not happen with the device 10 because of the controlled excursion of the device.

In the first embodiment of the present invention described herein, drive mechanism 14 is powered by a rechargeable battery illustrated as box 66 in Fig. 1A. Battery 66 is also preferably located within handle 13 of device 10. However, the present invention is not limited to use with a rechargeable and/or replaceable battery 66, but may also be configured to run on any standard electrical source, such as 110 volt, 60 cycle power sources, with or without the accompanying use of a transformer to reduce that voltage as may be necessary and desirable. Alternatively, the drive mechanism may comprise a gas turbine mechanism as is common for many types of powered surgical instruments. The particular power source that powers drive mechanism 14 does not form a part of the present invention except to the extent it is adapted to achieve the appropriate and desirable amount of movement of the abrading element.

Referring now to Fig. 2, which shows a portion of device 10 in side view, mounting member 16 extends from the distal end 15 of shaft 12. As described below with reference to Figs. 7-10, the mounting member may be configured to house a portion of a coupling mechanism that, in turn, couples drive mechanism 14 to an abrading element 18 to move the abrading element in at least one degree of freedom while the mounting member remains stationary relative to the handle. The term "degree of freedom" is used herein in its ordinary sense to refer to motion in a standard three-dimensional environment. That three dimensional environment may be defined

by X, Y, and Z axes. In such a three-dimensional environment, 6 degrees of freedom exist: translational motion along each of the X, Y, and Z axes, and rotational motion about each of the X, Y, and Z axes. Thus, drive mechanism 14 is operable to move abrading element 18 in a reciprocating, oscillating, or vibrating motion transversely along one or more of the X, Y, and Z axes. Alternatively, or in conjunction, drive mechanism 14 may be configured to move abrading element 18 around one or more of the X, Y, or Z axes. Of course, for purposes of achieving the objectives of the present invention, it may not be necessary that the drive mechanism reciprocate or oscillate mounting member 16 in anything more than a single degree of freedom.

Referring now to Figs. 7-10, in a present preferred embodiment, abrading element 18 includes a projection 20 (as best seen in Fig. 10) that is to be received in a corresponding aperture 21 formed in mounting member 16 (as best seen in Fig. 8). Mounting member 16 may be fixedly disposed on distal end 15 of shaft 12. Alternatively, mounting member 16 may be removably attached to distal end 15 of shaft 12. In the present embodiment, a coupling mechanism is used to couple abrading element 18 to mounting member 16 and to the drive mechanism. Fig. 10 illustrates that coupling mechanism with mounting member 16 removed to show in clearer detail the coupling mechanism.

With reference to Figs. 7 and 9, the coupling mechanism in the first preferred embodiment of the present invention comprises a generally tubular member 100 received within a hollow, longitudinal aperture of shaft 12. Tubular member 100 includes a proximal end 102 and a distal end 104. A T-shaped connector 108 is configured at the end of a drive rod 112. Drive rod 112 is adapted to be received within

a corresponding aperture 110 in tubular member 100. A pivot rod 114 extends from the distal end 104 of tubular member 100 and is adapted to fit in a corresponding hole 115 formed in mounting member 16 at the end of shaft 12.

With reference to Fig. 8, mounting member 16 includes a central aperture 21 and an oblong slot 23 formed through a wall of mounting member 16. Slot 23 is configured to allow connector 108 to pass through when the connector is turned (as illustrated by the arrows in Fig. 7) so that the branches forming the "T" extend laterally. Mounting member 16 also includes a post 25 that projects into aperture 21. Post 25 is sized to mate with an aperture 27 formed in projection 20 of abrading element 18 as shown in Fig. 10. Projection 20 is also formed with a slot 29 designed to receive connector 108 as described below.

With reference to Fig. 9, tubular member 100 fits within shaft 12 with connector 108 extending from distal end 13 of the handle. Projection 20 of abrading element 18 is inserted into aperture 21 of mounting member 16 such that post 25 fits into aperture 27 of projection 20. Connector 108 is initially rotated such that its "T" branch fits through slot 23 of mounting member 16 and then is rotated 90° as shown by the arrows in Fig. 7. With the "T" branches of connector 108 extending parallel to post 25, projection 20 of abrading element 18 fits into aperture 21 of mounting member 16 such that connector 108 fits into slot 29, and post 25 fits into aperture 27.

Fig. 10 shows the same structure as Fig. 9 but with mounting member 16 removed for purposes of better illustrating the mating of connector 108 with slot 29. As shown in Fig. 10, pivot rod 114 fits into a mating aperture 115 formed at the distal end of shaft 12, and projection 20 includes a second slot 120 formed laterally from slot 29.

Slot 120 is configured to allow connector 108 to toggle back and forth as tubular member 100 is reciprocatingly pivoted about pivot rod 114 by the device's drive mechanism. This "togglng" action of member 100 about pivot rod 114 moves T-shaped connector 108 and abrading element 18 in the direction indicated by the double headed arrow in Fig. 10.

Of course, many variations exist for mechanisms to couple the drive mechanism 14 to abrading element 18. The coupling mechanism described above is provided by way of example and not limitation.

In the embodiment described, mounting element 16 may interchangeably receive various ones of abrading element 18. Thus, abrading element 18 may be quickly and easily attached to and detached from mounting member 16 during surgery. While in the preferred embodiment the abrading surface of the abrading element is selected to have a width that is substantially the same as the width of the surface to be formed in the vertebral end plate (to eliminate any need to move the abrading element side to side in the disc space as noted earlier), a surgeon might also elect to use an abrading element that is smaller in width than the ultimate desired width of the surface to be formed. Thereafter, the surgeon may use successively larger abrading elements 18 until she arrives at the desired dimensions of the space formed between the adjacent bone structures. This approach also eliminates any need to significantly move the abrading element in a side to side path within the disc space.

Referring back to Figs. 1 and 1A, device 10 includes at least one stop member 28 adjustably disposed on mounting element 16 to limit the travel of the abrading element into the adjacent bone structures. Stop member 28 includes an abutment 30

that will eventually contact the vertebrae to limit travel of the abrading element 18 as the abrading element forms the space between the adjacent vertebrae. Stop member 28 is not limited to a single abutment. Two or even more abutments may be formed around the circumference of stop member 28 and the leading edges of such multiple abutments may be configured to terminate at different positions relative to shaft 12. Other mechanisms for limiting the depth of insertion of the device into the disc space are possible, and this example is provided by way of illustration.

In the embodiment of stop member 28 shown in Figs. 1, 2, and 3, a slot 29 is formed in stop member 28 and an extension 31 projects from shaft 12 through slot 29. Slot 29 is dimensioned to correspond to the desired maximum amount of adjustment of the stop member relative to the handle. As shown in Fig. 2, and in Figs. 5 and 6, stop member 28 is held at a desired position on shaft 12 by spring-biased lever 32. Lever 32 includes an actuator end 33 with grooves, notches, knurls, or other surface preparation that is pushed toward shaft 12 against the bias of spring member 34 to lift engaging end 35 of lever 32 away from shaft 12. Engaging end 35 is configured to mate with notches 36 formed in shaft 12 as shown in Fig. 5. Notches 36 in shaft 12 are not visible in Fig. 2 since they are covered by stop member 28. Stop member 28 is also formed with an opening sized to allow engaging end 35 of lever 32 to fit in notches 36. Numerous other structures for holding stop member 28 at a desired position on shaft 12 are possible, and spring biased lever 32 is provided in this embodiment of the present invention by way of example and not limitation. For instance, shaft 12 may include threads on a portion of its outer surface to receive a threaded adjusting collar that will lock stop member 28 in a desired position.

With reference to Figs. 21 and 22, examples of the types of motion through which abrading element 18 may be moved are illustrated. In Fig. 21, the motion is vibratory in a plane generally parallel to the abrading surface of the abrading element. In Fig. 22, the motion is linear and reciprocating as indicated by the double headed arrow of that figure. Alternatively, the motion may comprise slight rotation about a pivot point near distal end 15 of shaft 12 such that the oscillation is arcuate about an axis extending into and out of the sheet of paper on which Fig. 21 and 22 are illustrated. Other motions such as full and complete rotation as described below with reference to the second preferred embodiment are also useful.

Any of these types of motion will be adequate to cause the abrading surface or surfaces of abrading element 18 to abrade adjacent bone structures to thereby form the appropriately sized and dimensioned space between those bone structures for receiving an insert. In this regard, at least one or more of the surfaces of abrading element 18 is roughened such that it can abrade the adjacent bone structures.

Figs. 11, 12, 13, 14, and 15 illustrate various views of vertebral bodies that have been worked on by a device incorporating the present invention. The cross-hatching in these figures represents the softer, blood-rich cancellous bone of the vertebrae beneath the harder, outer cortical bone shell. Fig. 11 shows a top view of a first vertebral body 70 with a surface 72 formed by a circular abrading element 18 as shown in Fig. 1. The width of surface 72 formed on first vertebral body 70 closely matches the width of an abrading element 18 that was advanced into the disc space along a single front to back axis. A second vertebral body 77 has a greater depth than vertebral body 70. The second vertebral body 77 shown in Fig. 12 has a surface 75 formed by extending

abrading element 18 deeper into the distal interspace along front-to-back axis 74. Fig. 13 illustrates a cutaway side view of the vertebral body shown in top view in Fig. 12. Fig. 14 shows a cutaway side view of adjacent vertebral bodies 70 and 76 that have had surfaces 72 and 78 formed in their respective adjacent end plates. Note that, as shown in exaggerated view in Fig. 15, the vertebral end plate surface is prepared to a uniform shape, which while preserving the deeper portions of the end plate, also forms a socket depressed from the hard cortical uprisings of bone such as the uncovertebral joints 80. Recognize that the depth of this remaining end plate is exaggerated in Fig. 15 to illustrate this result of using the present invention. This remaining portion of the more cortical rim 80 assists in retaining the insert in the desired position between the adjacent vertebrae by acting as an abutment preventing lateral or posteriad movement of the insert. The prepared faces of these abutment portions of the vertebral end plate also increase the surface area of contact between the insert and the vertebral body.

Fig. 15A illustrates, in top view, the ideal portion of a disc that is removed to accommodate implantation of the insert. In Fig. 15A, the annulus fibrosus is illustrated with rings 200 extending around the periphery of the intervertebral disc space. Inside the annulus fibrosus is the nucleus pulposus 202 illustrated in cross-hatching. The general area and volume of the nucleus pulposus to be removed with the device of the present invention is illustrated with additional cross-hatchings 204. The preferred dimensions of the space created by the device is generally not as wide as the entire nucleus pulposus.

Referring now to Figs. 16 and 17, a second embodiment of the present invention is shown wherein abrading element 18 includes two abrading surfaces: an upper

abrading surface 90 and a lower abrading surface 92. Fig. 16 is a top view of such a device and Fig. 17 is a side view. In this embodiment, abrading element 18 includes two disc-shaped members, 81 and 83, that are mounted on the distal end of the device by a recessed screw 147 and screw shaft 148 as described below. Abrading surface 90 is formed on one side of disc-shaped member 81, and abrading surface 92 is formed on one side of disc-shaped member 83. Thus, the abrading element 18 illustrated in Figs. 16 and 17 provides an example of an instance where the abrading element comprises multiple pieces that fit together to form the abrading element. As previously described, the present invention contemplates unitary, one piece constructions for the abrading element as well as multi-piece constructions. In the embodiment of the present invention shown in Figs. 16 and 17, the upper and lower disc-shaped members 81 and 83 and their associated abrading surfaces may be rotated in opposite directions so as to counteract and balance any torque applied to the shaft and handle of the device as the abrading element digs into and abrades the vertebral end plates. This counter-rotation of the members 81 and 83 also prevents the device from being pulled to one side as the vertebral end plates are being worked on. This counter-rotating motion of the two members 81 and 83 is illustrated by the arrows in Fig. 17 and may be achieved, as illustrated in Fig. 17B, by using a spinning drive rod 160 that extends through shaft 12 and is configured with a gear 162 at its distal end that engages with mating gear teeth 93 and 94 formed on respective inner sides of disc-shaped members 81 and 83 as shown in Figs. 17A and 17B. Disc-shaped members 81 and 83 may be attached to the end of shaft 12 by a recessed screw 147 that is received in a mating, threaded screw shaft 148 as shown in Fig. 17B. Thus, in this second

embodiment, the mounting member comprises threaded screw shaft 148 and recessed screw 147 disposed at the distal end of a tapered extension 149 that protrudes from shaft 12.

Figs. 16A and 17A show a further enhancement to the device shown in Figs. 16 and 17 wherein the shaft 12 also includes an irrigation tube 150 and a suction tube 152 that may be formed within, or outside of, shaft 12. These irrigation and suction tubes may be connected to appropriate sources of irrigation fluid and a source of vacuum, respectively, to efficiently irrigate and clear the surgical site during use of the device.

Alternatively, and as shown in Fig. 20, upper and lower disc-shaped members 94 and 96 may be formed with inwardly sloping, ramped surfaces 97 and 98 that engage a cone-shaped driver 99 disposed on the distal end of a rotating drive rod 160 to turn the upper and lower abrading surfaces in opposite directions as the drive rod spins about its axis. Alternatively, the lower surfaces of the abrading element 18 and the cone-shaped driver can be radially splined to engage one another. Such a dual surface abrading element can simultaneously work on both adjacent end plates of adjacent vertebrae. Abrading member 18 having such dual abrading surfaces can even be constructed such that the distance between the abrading surface is adjustable to accommodate variations in the height of the disc space. By way of example and not limitation, paired, wedge-shaped blocks may be disposed between the abrading surfaces and an adjusting screw can be provided to extend through threaded apertures in each wedge-shaped block. As the adjusting screw is turned, the wedge-shaped blocks move relative to one another to change the distance between the abrading surfaces.

In a still further embodiment of the present invention as illustrated in Fig. 18, the abrading element 18 may have upper and lower abrading surfaces 140 and 142 that are angled or tilted relative to each other. The degree of angle or tilt may be selected to match the natural lordotic curvature of the spine at the location of the vertebrae to be worked on. The distance between the upper and lower abrading surfaces 140 and 142 in this embodiment may also be adjustable to accommodate differing disc heights between the vertebrae. Such angled abrading surfaces may also be driven in counter rotation by drive rod 160 as shown by the arrows in Fig. 18. As illustrated in Fig. 19, the slope of the surfaces 144 and 146 formed in the adjacent vertebrae by the abrading element shown in Fig. 18 matches the lordotic curvature of the spine at that location.

Numerous other configurations of abrading element 18 are possible within the scope of the present invention. For example and with reference to Fig. 23, abrading elements 218 may be convex to form concave receiving surfaces 220 in the vertebral end plates. The geometry and configuration of the shapes of the abrading elements can be matched to the desired shape and configuration of the space which the surgeon intends to create between adjacent bone structures and to the desired contour of the surfaces created in the bone structures.

Additionally, the abrading surface of abrading element 18 may be configured as roughenings, knurls, ridges, small pyramid shaped projections, or any other surface configuration that is capable of abrading the bone structures.

Where only one surface of the abrading element is configured to abrade an end plate of the vertebral body, an opposite surface (or the opposite surface of mounting member 16 as illustrated by element 17 in Fig. 2) may be configured to be supported by

the adjacent end plate without causing any significant abrasion of that adjacent end plate. In such an instance, the non-abrading surface of the abrading element, or surface 17 of mounting member 16, may be configured to allow the surgeon to achieve a mechanical advantage that increases the bearing pressure of the abrading surface against the end plate being worked on, and also to locate and center the device. In this manner, one adjacent end plate provides mechanical support to the device while the device works on the adjacent end plate. After an appropriate surface is formed on one end plate, the device can be turned 180° to use the abrading surface on the other end plate.

Figs. 24A and 24B show two views of human vertebral bodies. Fig. 24A shows a side view of a vertebral body V with end plates or end plate regions EP1 and EP2. Figure 24B is a top cutaway view of vertebral body V with apophysical rim AR and cancellous bone CB.

Figs. 25A and 25B show an alternative to the second embodiment of the present invention, wherein abrading element 250 includes two abrading surfaces, upper abrading surface 252 and lower abrading surface 254, and abrading surfaces 252 and 254 are configured with a sharpened leading edge. Fig. 25A is a perspective view of such a device and Fig. 25B is a top view. In this embodiment, abrading element 250 includes two disc-shaped members, 256 and 258, that are removably mounted on the distal end of the device by a recessed screw 147 and screw shaft 148 as described above. Abrading surface 252 is formed on the edge of disc member 256, and abrading surface 254 is formed on the edge of disc member 258. The mounting facilitates removing disc-shaped members 256 and 258 to replace them with other disc-shaped

members of similar or alternative abrading surface design. Brace 255 prevents rotation of shaft 12 during use of the device.

Alternatively, abrading surfaces 252 and 254 may be manufactured separately from disc-shaped members 256 and 258. In such a design, abrading ring 251 includes abrading surface 252 and abrading ring 253 includes abrading surface 254. Abrading ring 251 is mounted on disc-shaped member 256, and abrading ring 253 is mounted on disc-shaped member 258. Such a mounting may be accomplished by threadably connecting an abrading ring to its associated disc-shaped member. The threads of such a threadable connection preferably oppose the direction of rotation of the disc-shaped member when the device is in use. Other equivalent mountings to the threadable connection may be employed.

Fig. 26 shows the counter-rotation of disc-shaped members 256 and 258 and their associated abrading surfaces. This counter-rotating motion may be achieved by using a spinning drive rod 160 that extends through shaft 12 and is configured with a gear 162 at its distal end that engages with mating gear teeth 93 and 94 formed on respective inner sides of disc-shaped members 256 and 258.

Alternatively, and as shown in Fig. 27, abrading element 250 may have upper and lower disc-shaped members 256 and 258 that are angled or tilted relative to each other. The degree of angle or tilt may be selected to match the lordotic curvature of the spine at the location of the vertebrae to be worked on. The distance between the upper and lower disc-shaped members may also be adjustable to accommodate different disc heights between the vertebrae. Such angled disc-shaped members may also be driven in counter-rotation by drive rod 160 and cone-shaped driver 270.

Fig. 28 shows a further enhancement to the device shown in Figs. 25A and 25B wherein the shaft 12 also includes an irrigation tube 280 and a suction tube 282 that may be formed within, or outside of, shaft 12. These irrigation and suction tubes may be connected to appropriate sources of irrigation fluid and a source of vacuum, respectively, to efficiently irrigate and clear the surgical site during the use of the device.

Fig. 29 shows device 10 and guide 290. Guide 290 includes a front portion 292, a rear portion 294, a body 295, an opening 296, a first disc penetrating extension 298, and a second disc penetrating extension 299. Placing front portion 292 of guide 290 against adjacent vertebral bodies inserts first disc penetrating extension 298 and second disc penetrating extension 299 into the disc space between the adjacent vertebral bodies. Guide 290 provides protected access to the disc space and the adjacent vertebral bodies for abrading element 250 via opening 296. Opening 296 may be taller than the height of abrading element 250. Such a taller opening 296 allows the sequential use of abrading elements 250 of increasing height or the insertion of an insert taller than the height of abrading element 250. The insert is preferably sized and shaped to match the space formed in the spine by the abrading element. Front portion 292 may include one or more holes 291 for securing front portion 292 of guide 290 to at least one of the adjacent vertebral bodies using a pin, screw, or equivalent fastening device. Guide 290 may also include one or more tracks 293 to direct abrading element 250 while accessing the disc space and adjacent vertebral bodies via opening 296. Such tracks 293 may include any surface designed to direct abrading element 250. As shown in Fig. 29, first disc penetrating extension 298 and second disc penetrating

extension 299 have an anatomic shape as discussed below. Other shapes may be desired as also discussed below.

Fig. 30 shows a side view of vertebral bodies V1 and V2 and second disc penetrating extension 299 in the disc space between the vertebral bodies. As shown, the anatomic shape of disc penetrating extension 299 substantially matches the contours of the adjacent vertebral bodies.

Fig. 31A shows a rear perspective view of guide 290 with anatomic shaped disc penetrating extensions 298 and 299.

Figs. 31B, 31C, and 31D show alternative shapes for the disc penetrating extensions of guide 290. In Fig. 31B, disc penetrating extensions 310 and 312 are tapered in the direction away from front portion 292. In Fig. 31C, upper surface 311 and lower surface 313 of disc penetrating extension 314 are substantially parallel. Similarly, upper surface 315 and lower surface 317 of disc penetrating extension 316 are substantially parallel. In Fig. 31D, disc penetrating extensions 318 and 319 are substantially lordotic, or tapered in the direction toward, front portion 292.

Alternatively, and as shown in Figs. 31A, 32A, and 32B, guide 290 may have male tracks, female tracks, or no tracks. Fig. 31A shows male tracks 293. Fig. 32A shows female tracks 293. Fig. 32B shows no tracks. It must be emphasized again that such tracks 293 may include any surface designed to direct abrading element 250.

Fig. 33 shows guide 290 having front portion 292 including slotted extension 330. Front portion 292 may be secured to one of the adjacent vertebral bodies via slotted extension 330 using a pin, screw, or equivalent fastening device. Slotted extension 330 provides the capability to unsecure front portion 292 from one adjacent vertebral body,

and then resecure front portion 292 to that same adjacent vertebral body after changing the amount of distraction between the adjacent vertebral bodies.

Alternatively, Figs. 34A and 34B show two views of an elongated version of guide 290. Elongated guide 290 is preferably used for posterior lumbar interbody fusion. Body 295 includes a height, a width, and a distance between front portion 292 and rear portion 294. The height of body 295 is preferably 8-20 mm. The width of body 295 is preferably 10-20 mm. The distance between front portion 292 and rear portion 294 of body 295 is preferably 150-350 mm. Disc penetrating extensions 298 and 299 may have any of the shapes disclosed above. Preferably, the disc penetrating extensions have a height of 5-20 mm and a length of 15-32 mm. For posterior lumbar interbody fusion, abrading element 250 is preferably 5-20 mm in height and 10-20 mm in width.

Figs. 35A, 35B, and 35C show alternative cross-sectional shapes for body 295. Fig. 35A shows a rectangular cross-section. Fig. 35B shows a circular cross-section. Fig. 35C shows an oval or rounded cross-section.

Since any device incorporating the subject matter of the present invention is designed to be used within a surgical theater, it is desirable that the device be susceptible of sterilization by any one of many known expedients. In this regard, handle 12 of device 10 may be waterproof such that the device can be sterilized.

Although various embodiments of the present invention have been disclosed for purposes of illustration, it will be understood by those of ordinary skill in the art that changes, modifications, and substitutions may be incorporated in these embodiments

without departing from the spirit or scope of the present invention as defined by the claims, which follow.

I CLAIM:

1. Apparatus for preparing a space in the human spine to receive an insert between adjacent vertebral bodies, comprising:

a handle;

a shaft operably connected to said handle;

a mounting member disposed at a distal end of said shaft;

a drive mechanism;

a power source operably connected to said drive mechanism; and

an abrading element mounted on said mounting member for movement by said drive mechanism, said abrading element having at least one abrading surface selected to create a predetermined surface contour in one of the adjacent vertebral bodies as said abrading element is moved by said drive mechanism.

2. The apparatus of claim 1, wherein said abrading element includes at least two abrading surfaces for simultaneously creating predetermined surface contours on the respective end plates of the adjacent vertebral bodies.

3. The apparatus of any one of the preceding claims, wherein said abrading surfaces including teeth formed thereon to cooperatively engage said drive mechanism, said drive mechanism and said teeth being configured such that said abrading surfaces are rotated by said drive mechanism.

4. The apparatus of claim 3, wherein said abrading element includes first and second abrading surfaces rotated in opposite directions by said drive mechanism.

5. The apparatus of any one of the preceding claims, wherein said abrading element has at least a top abrading surface and a bottom abrading surface.

6. The apparatus of any one of the preceding claims, wherein said abrading element is convex.

7. The apparatus of any one of the preceding claims, wherein said abrading element is tapered outwardly from a front surface of said abrading element.

8. The apparatus of any one of the preceding claims, wherein said abrading element includes a leading edge configured as a bone cutting surface.

9. The apparatus of any one of the preceding claims, wherein said abrading surface has a width, said width substantially matches the width of the nucleus pulposus of a disc space in which it is inserted.

10. The apparatus of any one of the preceding claims, wherein said abrading surface is substantially planar.

11. The apparatus of any one of the preceding claims, wherein said abrading surface is configured such that it is generally parallel to said surface contour formed in the vertebral body as said abrading element is moved by said drive mechanism.

12. The apparatus of any one of the preceding claims, wherein said abrading element includes outwardly facing first and second abrading surfaces, and said first and second abrading surfaces are inclined relative to one another.

13. The apparatus of any one of the preceding claims, wherein said abrading element is detachable from said mounting element.

14. The apparatus of claims 1, 3, 5-11, and 13, wherein said abrading element includes a non-abrading surface formed on a side of said abrading element opposite said abrading surface, said non-abrading surface being configured to allow a

surgeon to increase the pressure of said abrading surface against one of the adjacent vertebral bodies.

15. The apparatus of any one of the preceding claims, wherein said abrading element is driven in a reciprocating, arcuate motion by said drive mechanism.

16. The apparatus of any one of the preceding claims, wherein said abrading element includes a wheel having cutter teeth along its perimeter.

17. The apparatus of any one of the preceding claims, wherein said drive mechanism is adapted to produce a rotary movement of said abrading element about an axis generally perpendicular to a longitudinal axis of said shaft and a general plane of the vertebral end plate.

18. The apparatus of any one of the preceding claims, wherein said drive mechanism is adapted to produce one of an oscillating rotation and a vibratory motion of the abrading element.

19. The apparatus of any one of the preceding claims, wherein said drive mechanism comprises a gas-driven turbine powered by a source of compressed gas.

20. The apparatus of any one of the preceding claims, wherein said drive mechanism is operable to move said abrading element in at least two degrees of freedom.

21. The apparatus of any one of the preceding claims, including a suction mechanism for removing bits of debris created by said abrading surface of said abrading element.

22. The apparatus of any one of the preceding claims, including an irrigation channel configured through said shaft for delivering irrigation fluid to the surgical site.

23. The apparatus of any one of the preceding claims, including at least one stop member to limit the depth of travel of said abrading element into the spine.

24. The apparatus of any one of the preceding claims, further comprising:
a guide having an opening for providing protected access to the disc space and the adjacent vertebral bodies, said opening being configured for passage of said abrading element through said guide; and

first and second disc penetrating extensions extending from said guide for insertion into the disc space between the adjacent vertebral bodies, each of said disc penetrating extensions having a portion for bearing against each of the adjacent endplates of the adjacent vertebral bodies, each of said portions of said disc penetrating extensions having an upper surface adapted to contact one of the adjacent endplates of the adjacent vertebral bodies and a lower surface adapted to contact the other of the adjacent endplates of the adjacent vertebral bodies, said portions of said disc penetrating extensions having a height between said upper and lower surfaces and a length sufficient to properly align and distance apart the adjacent vertebral bodies.

25. The apparatus of claim 24, wherein said upper and lower surfaces are parallel to each other along a substantial portion of the length thereof.

26. The apparatus of claims 24 and 25, wherein said guide has an external surface at its distal end and said disc penetrating extensions are at least in part coextensive with said external surface.

27. The apparatus of claims 24-26, wherein said disc penetrating extensions are diametrically opposed to each other and spaced apart from one another to provide access to the adjacent vertebral bodies from within the disc space.

28. The apparatus of claims 24-27, wherein the height of said disc penetrating extensions have at least a portion that approximates the height of a normal disc space between the adjacent vertebral bodies.

29. The apparatus of claims 24 and 26-28, wherein said disc penetrating extensions have a tapered leading end to facilitate placement of said disc penetrating extensions into the disc space, said portion of said disc penetrating extensions having opposite surfaces for bearing against the endplates of the adjacent vertebral bodies, said opposite surfaces diverging away from said guide along at least a portion of their length.

30. The apparatus of claims 24-28, wherein said upper and lower surfaces converge away from said guide along at least a portion of their length.

31. The apparatus of claims 24 and 26-28, wherein said guide conforms at least in part to the exterior surface of the adjacent vertebral bodies.

32. The apparatus of claims 24-31, further comprising means for penetrating the two adjacent vertebral bodies.

33. The apparatus of claims 24-32, said disc penetrating extension having a length greater than one-half the depth of the disc space measured from the anterior aspect to the posterior aspect of the disc space.

34. The apparatus of claims 24-33, wherein said guide has an interior having a cooperating surface for guiding a corresponding cooperating surface on said mounting member.

35. The apparatus of any of the preceding claims, further comprising an insert sized and shaped to match the space formed in the spine by said abrading element.

36. An abrading element for preparing a space between adjacent vertebral bodies to receive an insert, said abrading element having at least one abrading surface and being mountable on a apparatus capable of moving said abrading element to cause said abrading surface to create at least one surface having a predetermined contour in the end plate of at least one of said adjacent vertebral bodies, said abrading surface having a width selected to substantially match the overall width of the insert to be received between the adjacent vertebral bodies.

37. The abrading element of claim 36, wherein said abrading element has a top surface and bottom surface.

38. The abrading element of claims 36 and 37, wherein at least one of said top and bottom surfaces of said abrading element are roughened to provide said abrading surface.

39. The abrading element of claims 36-38, wherein said abrading element has a leading edge configured to cut into at least one vertebral body as the abrading element is inserted into the spine.

40. The abrading element of claims 36-39, wherein said abrading element is convex.

41. The abrading element of claims 36-40, wherein said abrading element is tapered outwardly from said front surface of said abrading element.

42. The abrading element of claims 36-41, wherein said abrading surface is configured and oriented such that it is generally parallel to the surface formed in the end plate of said vertebral body when in use.

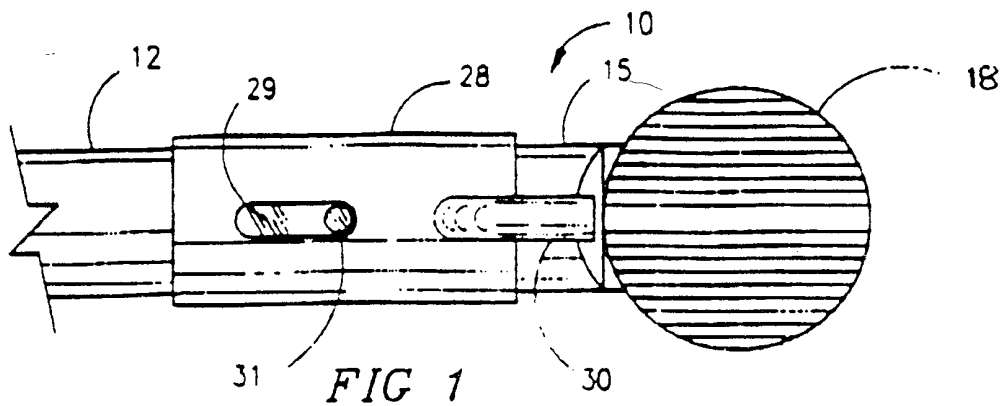


FIG 1

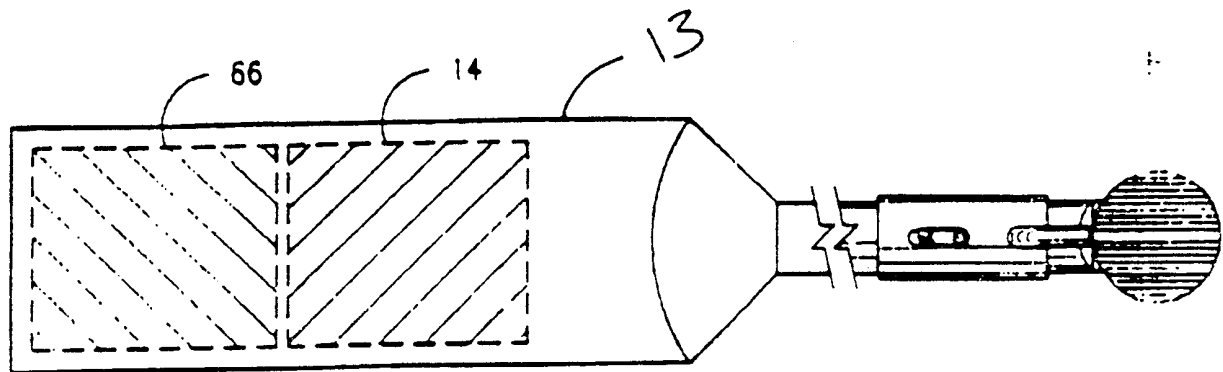


FIG 1A

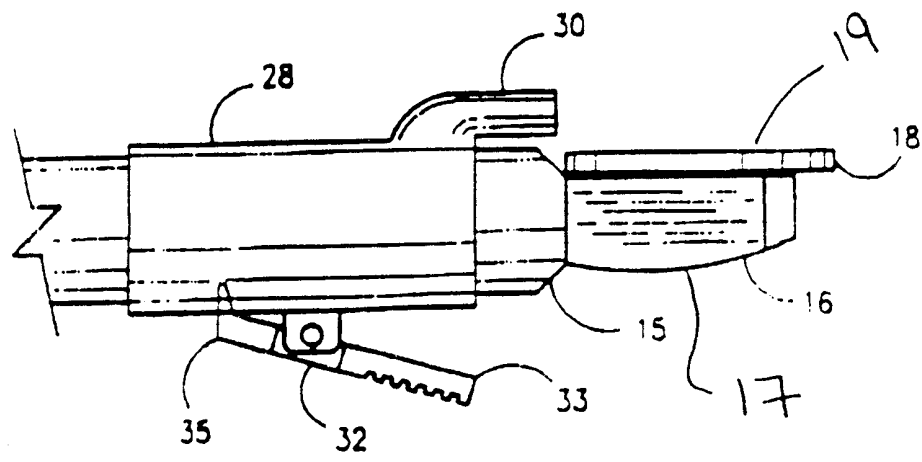


FIG 2

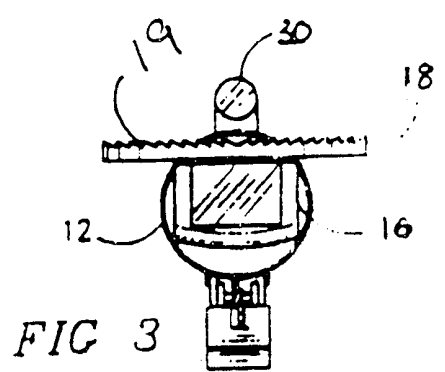
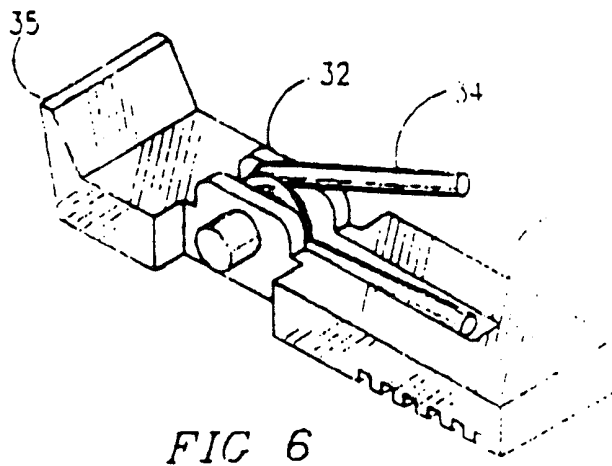
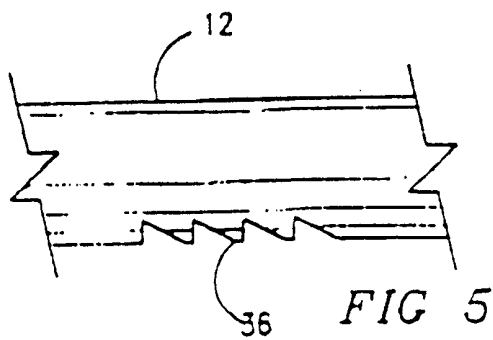
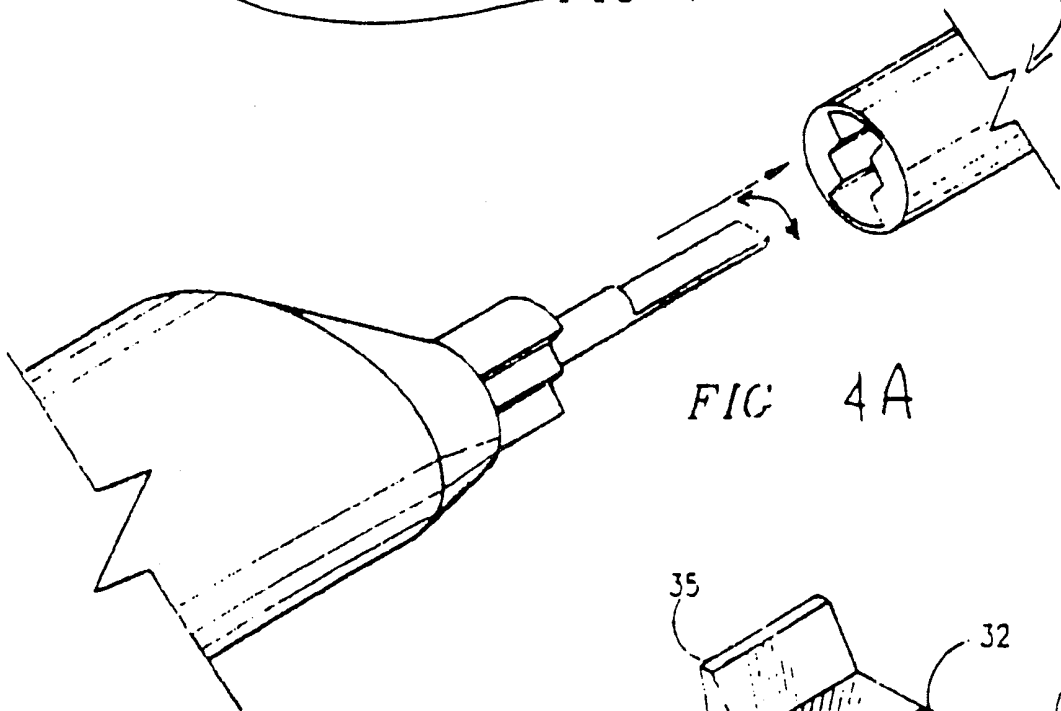
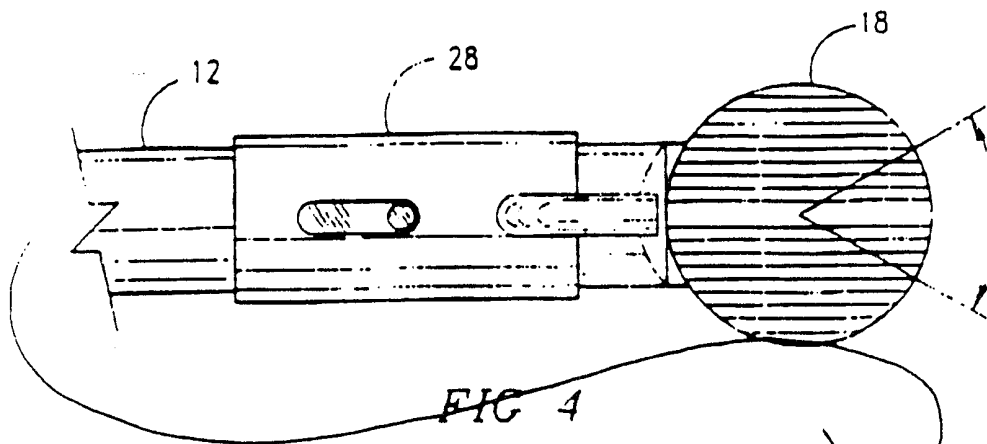


FIG 3



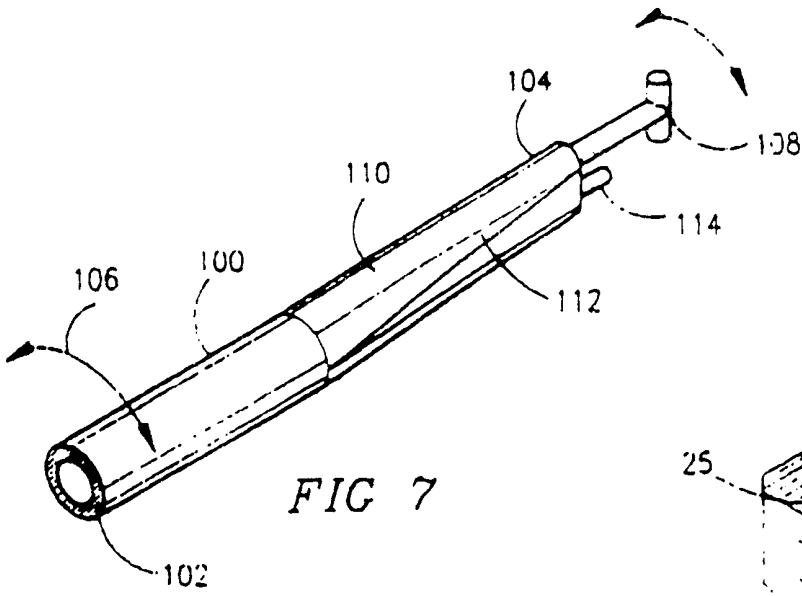


FIG 7

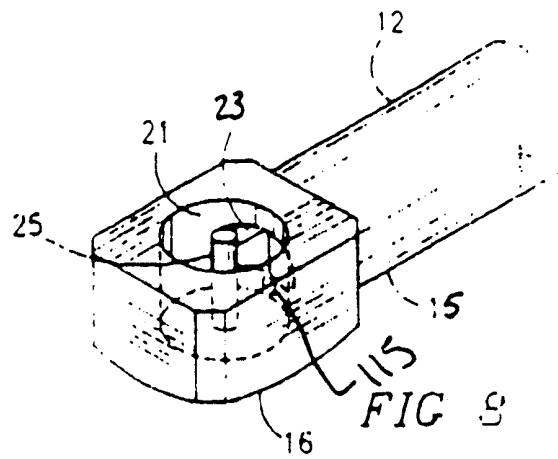


FIG 8

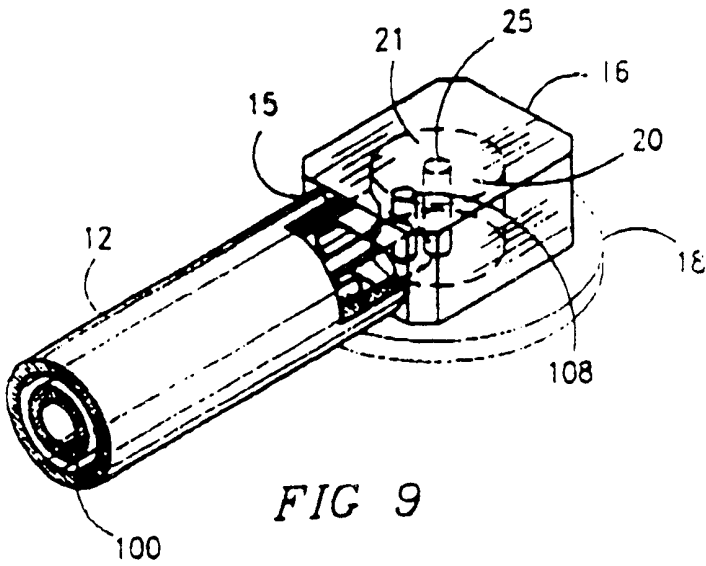


FIG 9

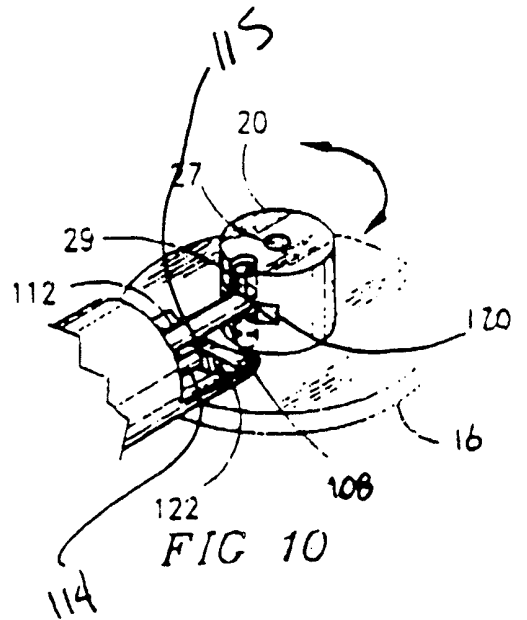


FIG 10

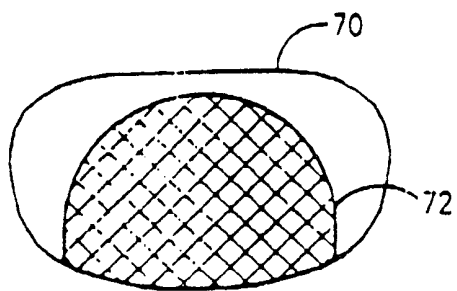


FIG 11

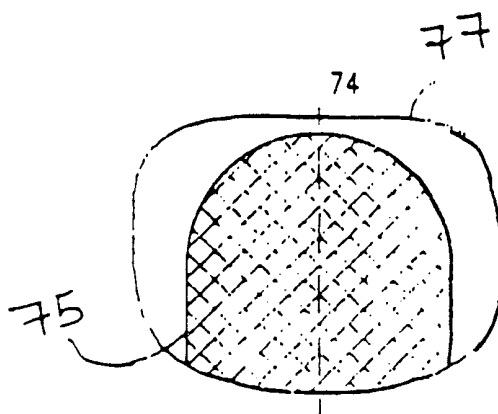


FIG 12

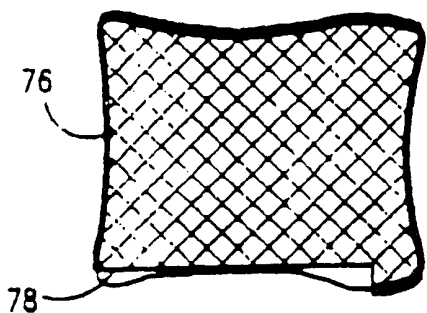


FIG 13

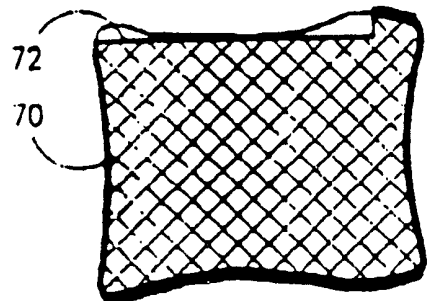


FIG 14

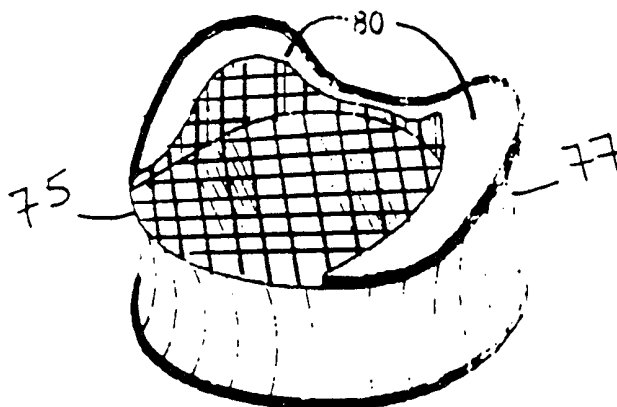
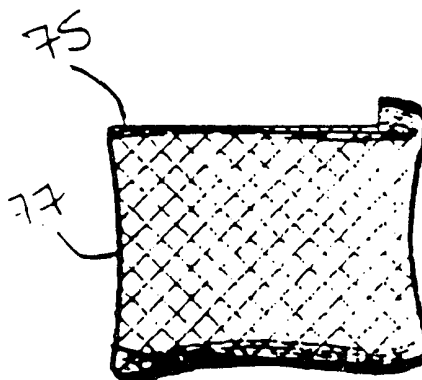


FIG 15

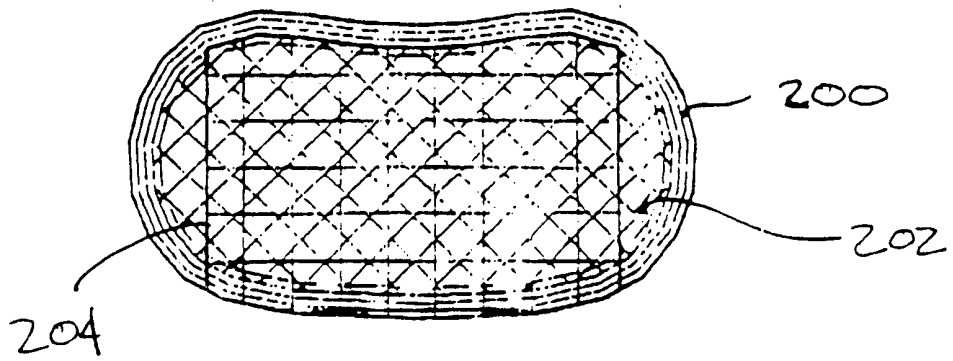


FIG
15A

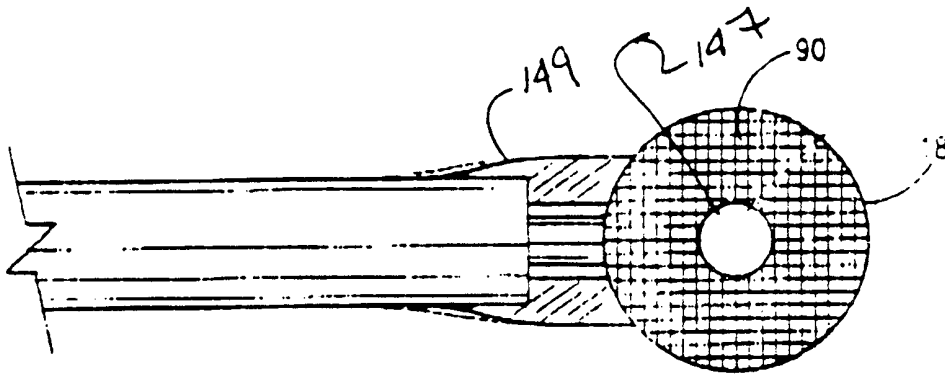


FIG 16

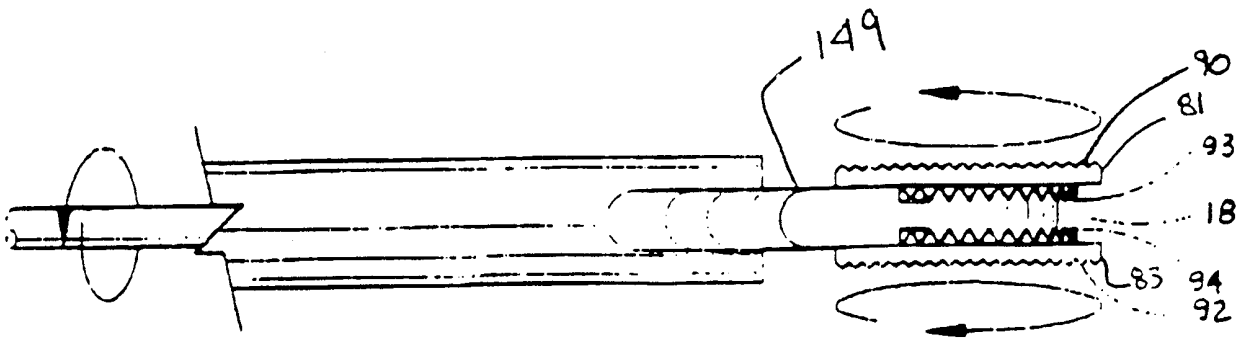
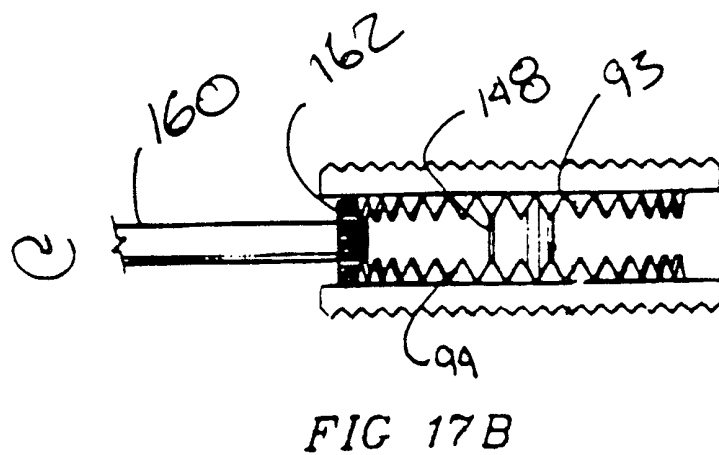
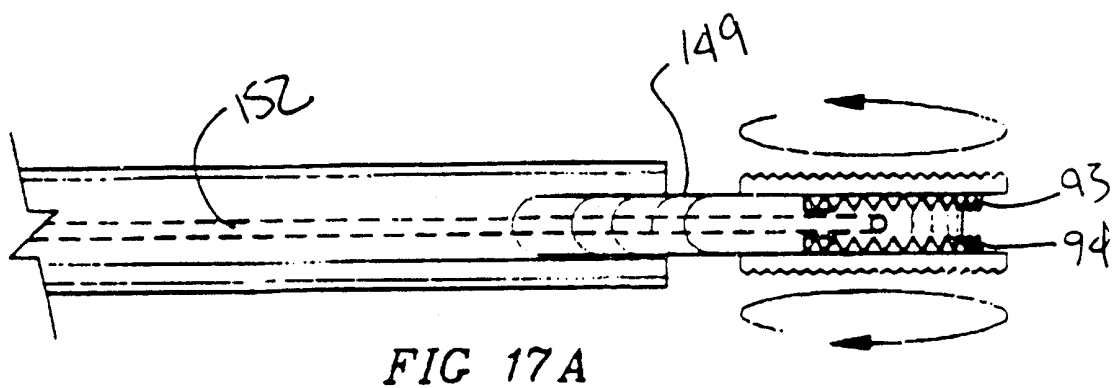
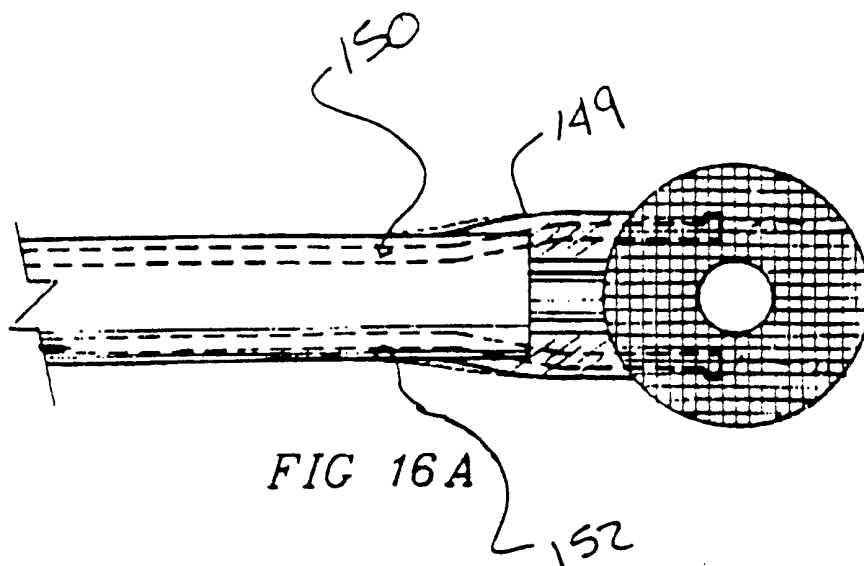


FIG 17



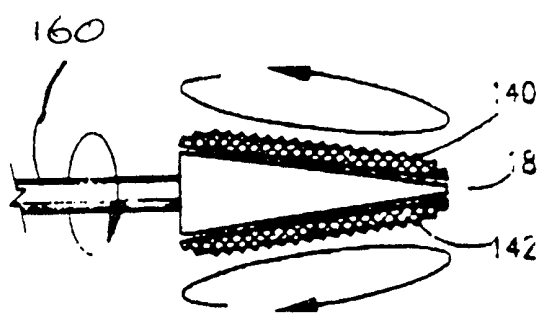


FIG 18

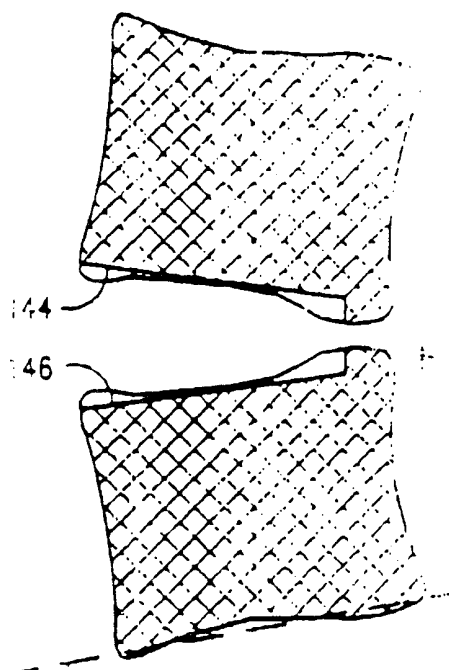


FIG 19

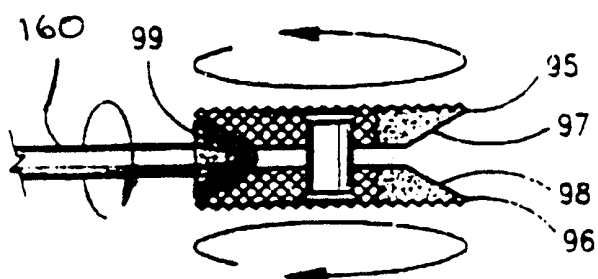


FIG 20

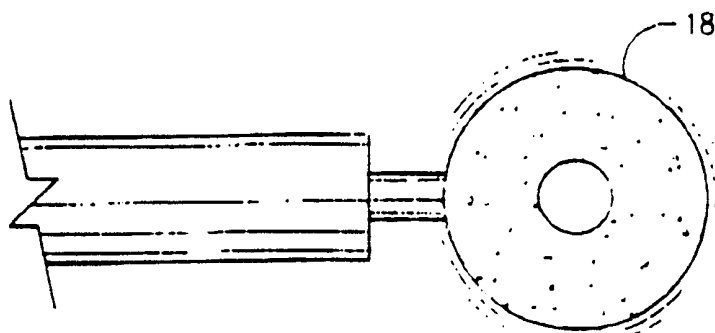


FIG 21

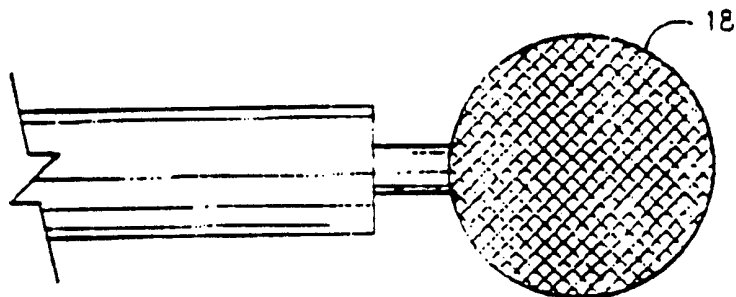


FIG 22

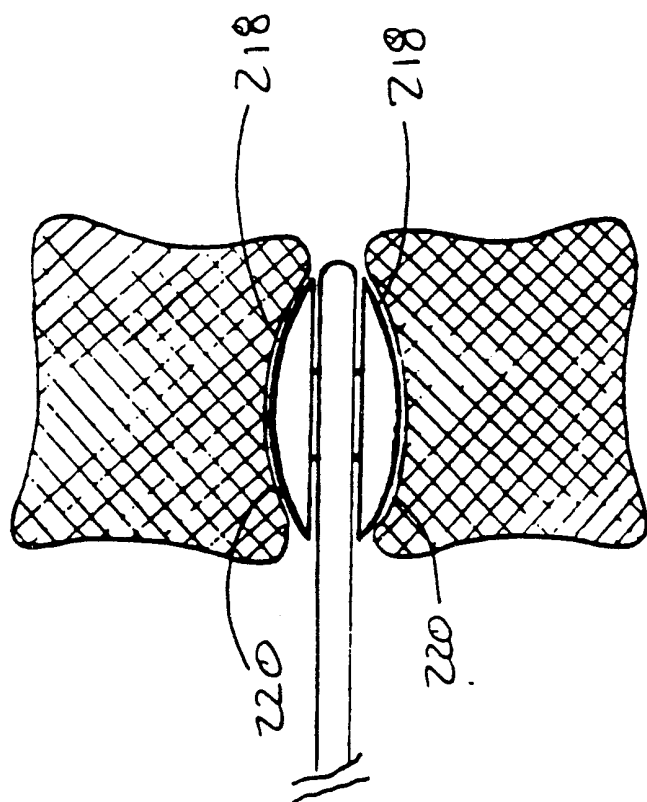


Fig. 23

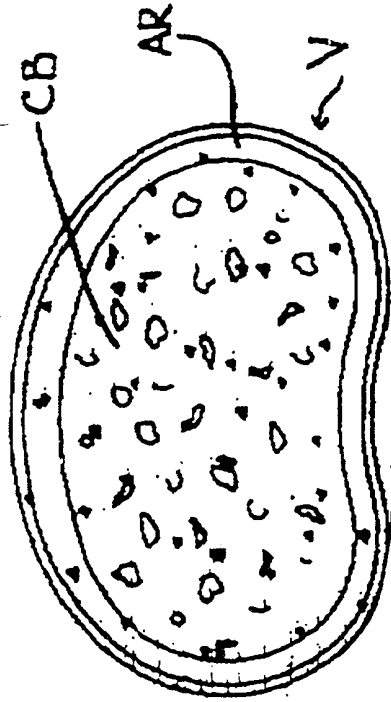


FIG. 24B

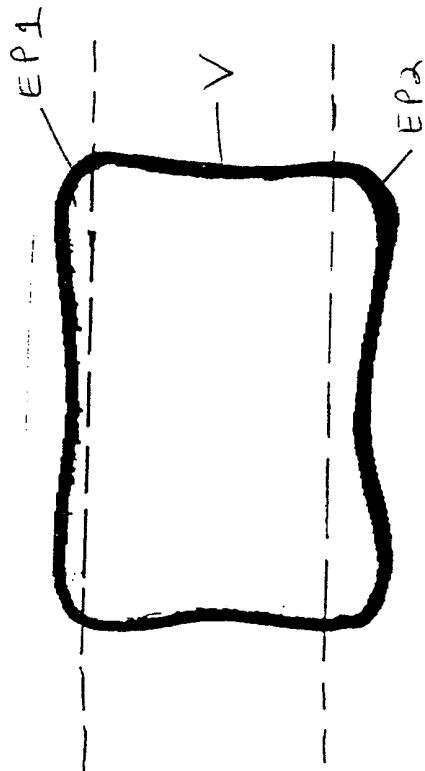
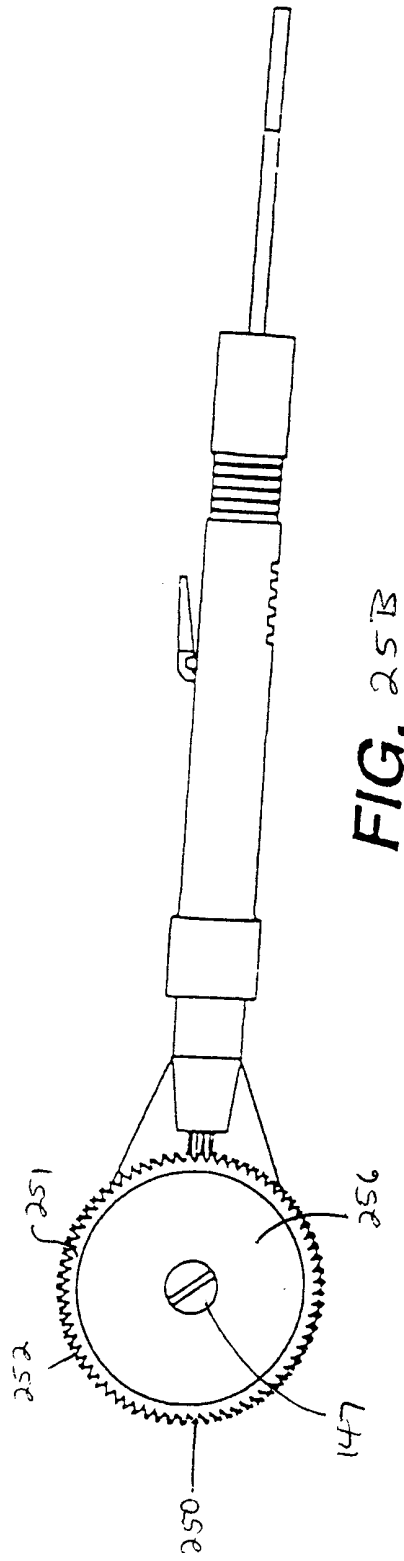
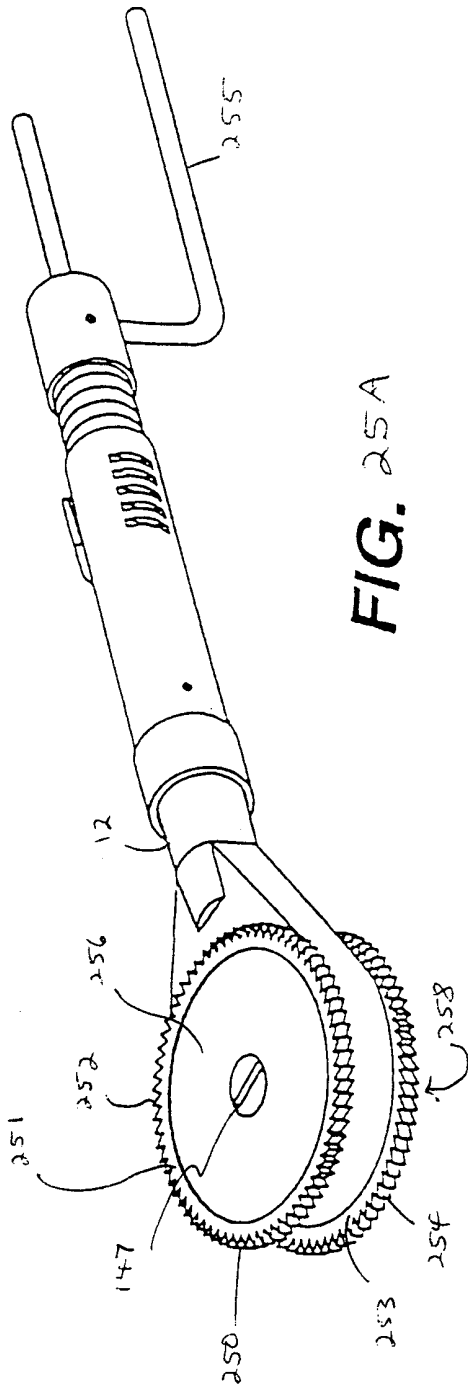


FIG. 24A



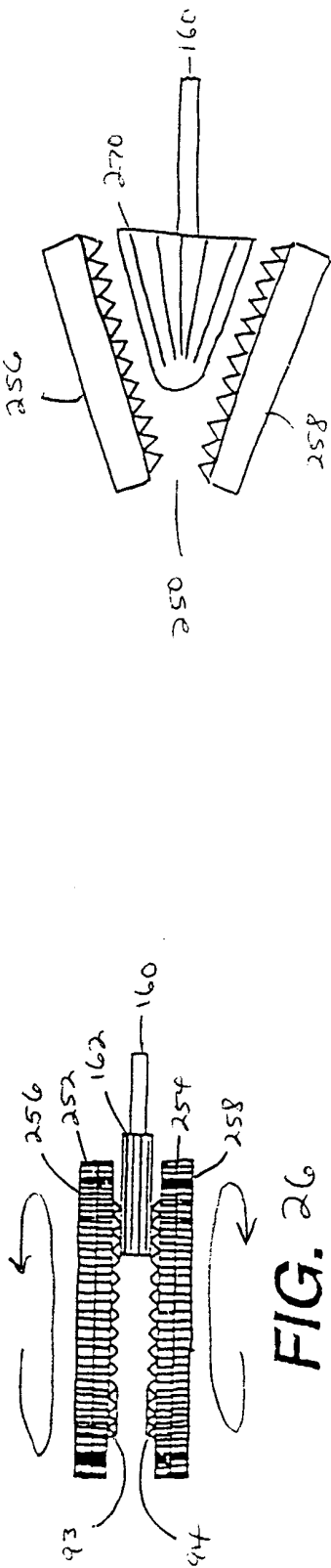


FIG. 27

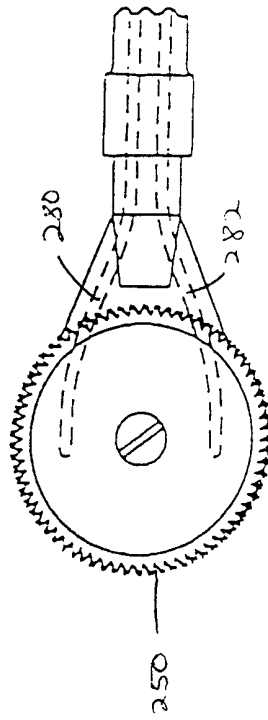


FIG. 28

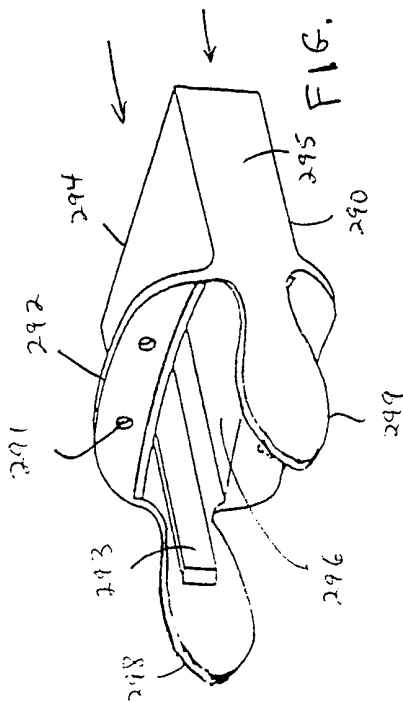
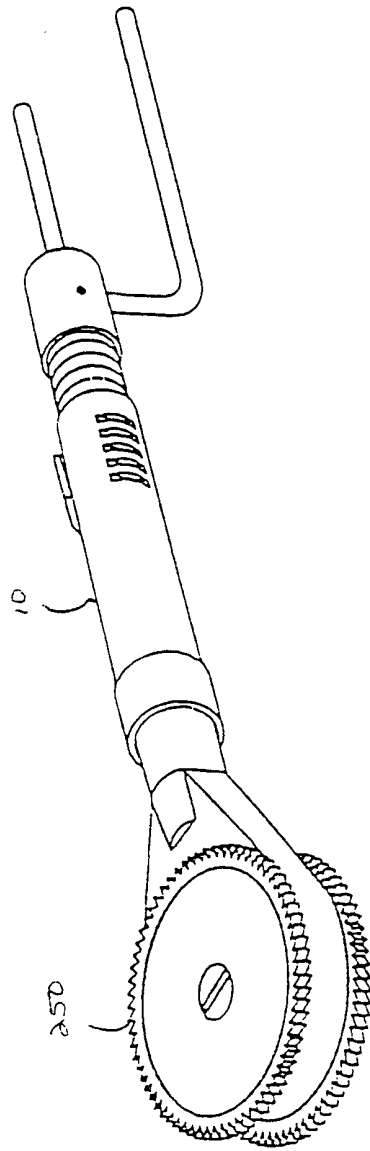


FIG. 29

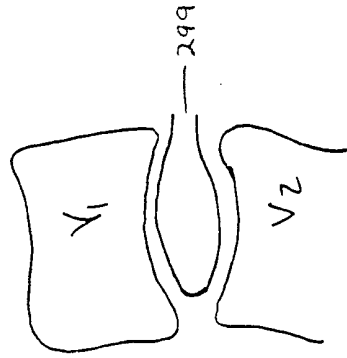


FIG. 30

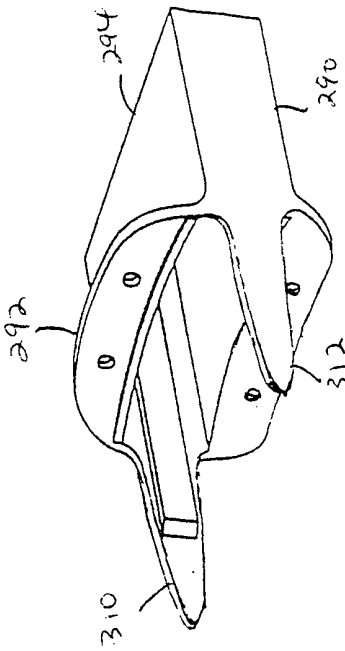


FIG. 31B

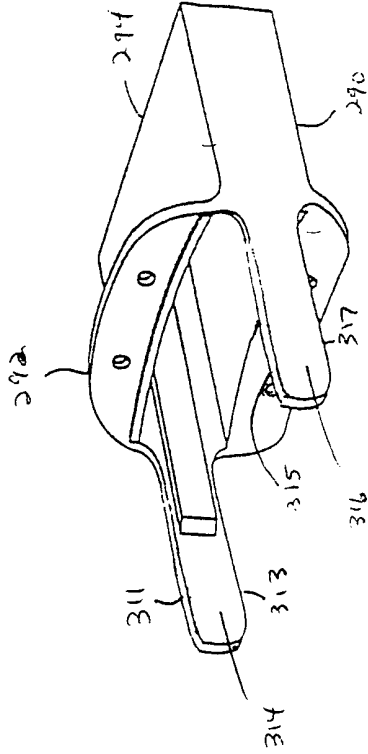


FIG. 31C

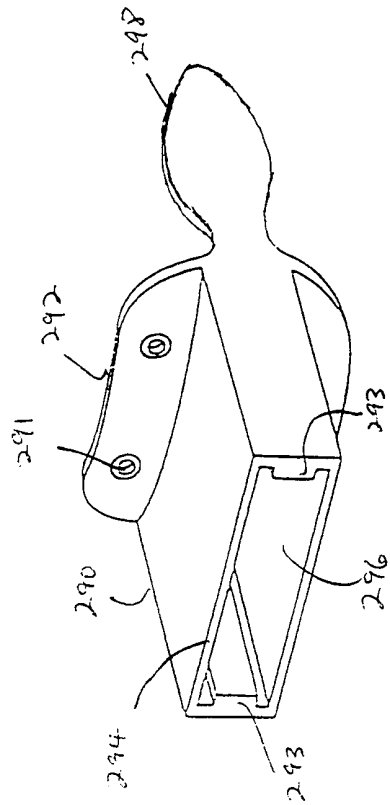


FIG. 31A

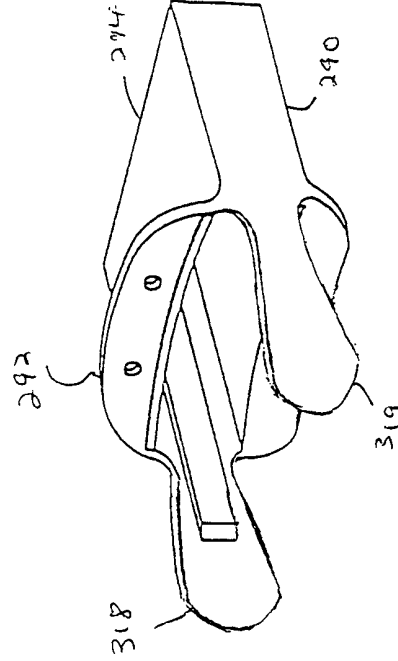
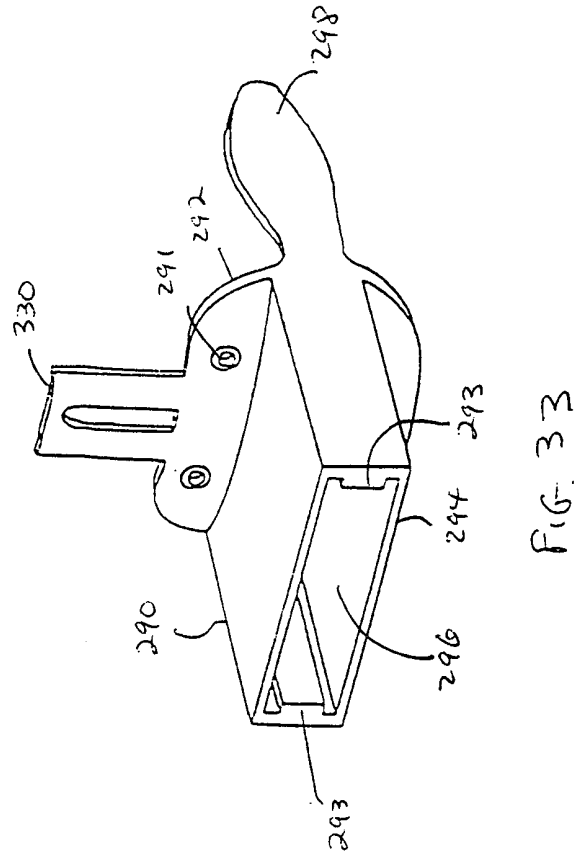
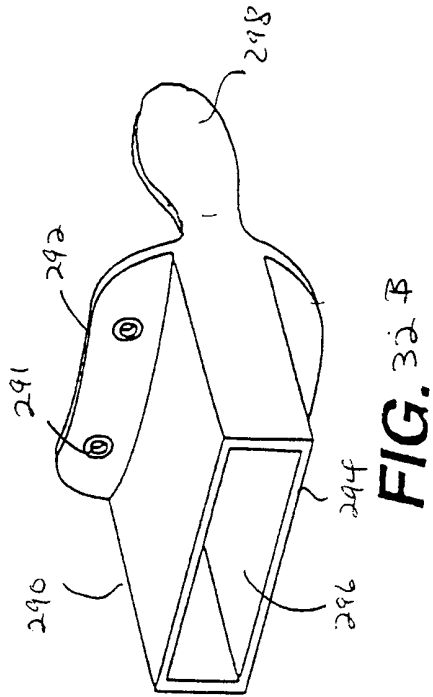
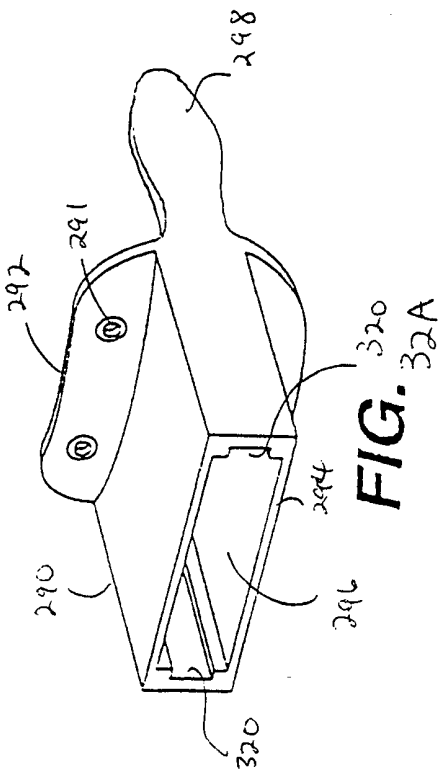


FIG. 31D



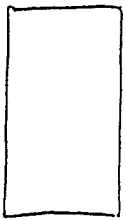


FIG. 35A

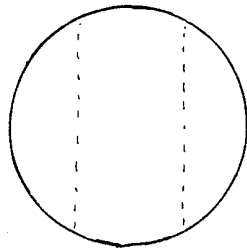


FIG. 35B

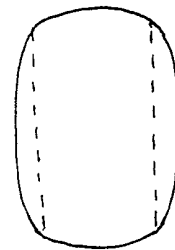


FIG. 35C

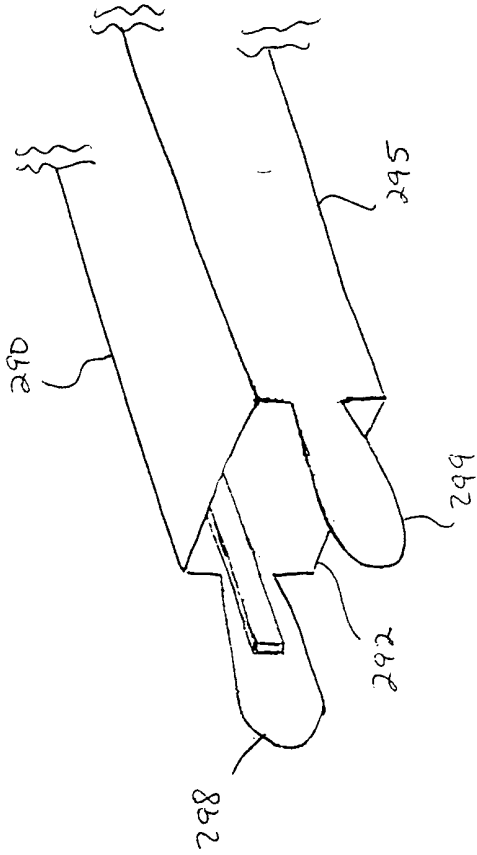


FIG. 34A

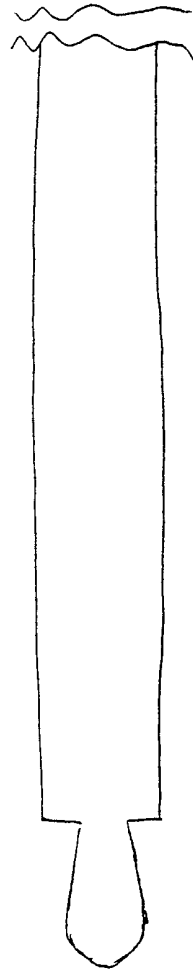


FIG. 34B

INTERNATIONAL SEARCH REPORT

International application No.
PCT/US99/12890

A. CLASSIFICATION OF SUBJECT MATTER IPC(6) :A61B 17/00 US CL :606/80 According to International Patent Classification (IPC) or to both national classification and IPC		
B. FIELDS SEARCHED Minimum documentation searched (classification system followed by classification symbols) U.S. : 606/80 Documentation searched other than minimum documentation to the extent that such documents are included in the fields searched Electronic data base consulted during the international search (name of data base and, where practicable, search terms used)		
C. DOCUMENTS CONSIDERED TO BE RELEVANT		
Category*	Citation of document, with indication, where appropriate, of the relevant passages	Relevant to claim No.
X	US 4,842,578 A (JOHNSON et al.) 27 June 1989, Figs. 4, 5 and 10, and col. 5 lines 41-68.	1-42
Y, P	US 5,853,415 A (BERTIN et al.) 29 December 1998, Fig. 18-20, and col. 9 lines 1-67	1-11, 15-18, 20, 24-42
Y, P	US 5,904,687 A (DEL RIO et al.) 18 May 1999, Fig. 1, col. 2 lines 43-65.	1-42
Y	US 3,937,222 A (BANKO) 10 February 1976, Figs.1-12, and col. 1-4.	1-42
<input type="checkbox"/> Further documents are listed in the continuation of Box C. <input type="checkbox"/> See patent family annex.		
* "A"	Special categories of cited documents: document defining the general state of the art which is not considered to be of particular relevance	* "T" later document published after the international filing date or priority date and not in conflict with the application but cited to understand the principle or theory underlying the invention
* "E"	earlier document published on or after the international filing date	* "X" document of particular relevance; the claimed invention cannot be considered novel or cannot be considered to involve an inventive step when the document is taken alone
* "L"	document which may throw doubts on priority claim(s) or which is cited to establish the publication date of another citation or other special reason (as specified)	* "Y" document of particular relevance; the claimed invention cannot be considered to involve an inventive step when the document is combined with one or more other such documents, such combination being obvious to a person skilled in the art
* "O"	document referring to an oral disclosure, use, exhibition or other means	* "&" document member of the same patent family
* "P"	document published prior to the international filing date but later than the priority date claimed	
Date of the actual completion of the international search 26 JULY 1999		Date of mailing of the international search report 23 AUG 1999
Name and mailing address of the ISA/US Commissioner of Patents and Trademarks Box PCT Washington, D.C. 20231 Facsimile No. (703) 305-3230		Authorized officer <i>Jackie Tan-Uyen Thi Ho</i> (JACKIE) TAN-UYEN THI HO Telephone No. (703) 306-3421