



US00D698291S

(12) **United States Design Patent**  
**Ishigaki**

(10) **Patent No.:** **US D698,291 S**

(45) **Date of Patent:** **\*\* Jan. 28, 2014**

(54) **FRONT BUMPER FOR AUTOMOBILES**

(71) Applicant: **Honda Motor Co., Ltd**, Tokyo (JP)

(72) Inventor: **Shingo Ishigaki**, Wako (JP)

(73) Assignee: **Honda Motor Co., Ltd**, Tokyo (JP)

(\*\*) Term: **14 Years**

(21) Appl. No.: **29/435,672**

(22) Filed: **Oct. 26, 2012**

(30) **Foreign Application Priority Data**

Apr. 27, 2012 (JP) ..... 2012-010025

(51) **LOC (10) Cl.** ..... **12-16**

(52) **U.S. Cl.**

USPC ..... **D12/169**

(58) **Field of Classification Search**

USPC ..... D12/169, 196, 171, 163, 216, 90-92,  
D12/86; 296/180.1, 180.2; 293/102, 113,  
293/115, 117, 120

See application file for complete search history.

(56) **References Cited**

U.S. PATENT DOCUMENTS

D592,569 S \* 5/2009 Larson ..... D12/169  
D617,700 S 6/2010 Nishio  
D670,627 S \* 11/2012 Fetherston et al. .... D12/169  
D671,053 S \* 11/2012 Yamada et al. .... D12/169

\* cited by examiner

*Primary Examiner* — Susan M Lee

*Assistant Examiner* — Linda Brooks

(74) *Attorney, Agent, or Firm* — Westerman, Hattori,  
Daniels & Adrian, LLP

(57) **CLAIM**

The ornamental design for a front bumper for automobiles, as shown and described.

**DESCRIPTION**

FIG. 1 is a front elevational view of a front bumper for automobiles, showing my new design; FIG. 2 is a left side elevational view thereof; FIG. 3 is a top plan view thereof; and, FIG. 4 is a left front perspective view thereof.

The broken lines illustrate environmental structure only and form no part of the claimed design. Furthermore, dot-dash lines illustrate boundaries between the claimed design and the unclaimed environmental structure.

**1 Claim, 2 Drawing Sheets**

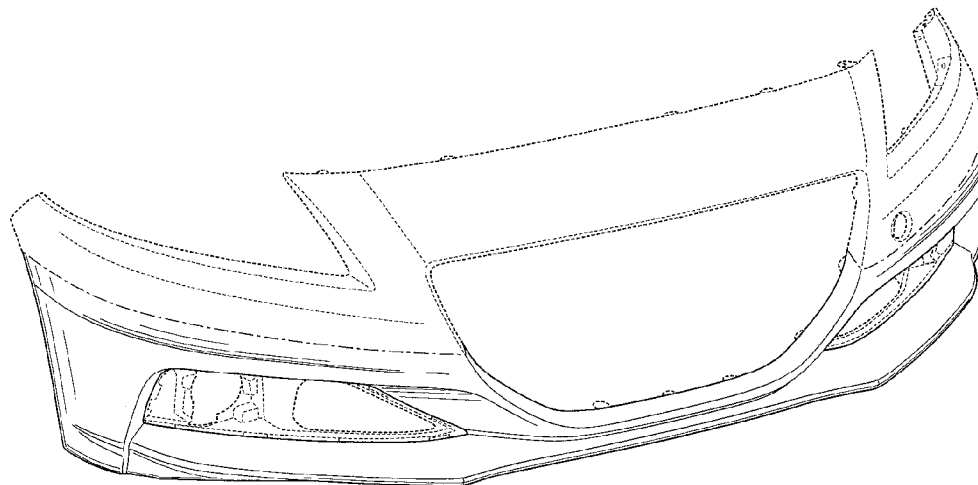
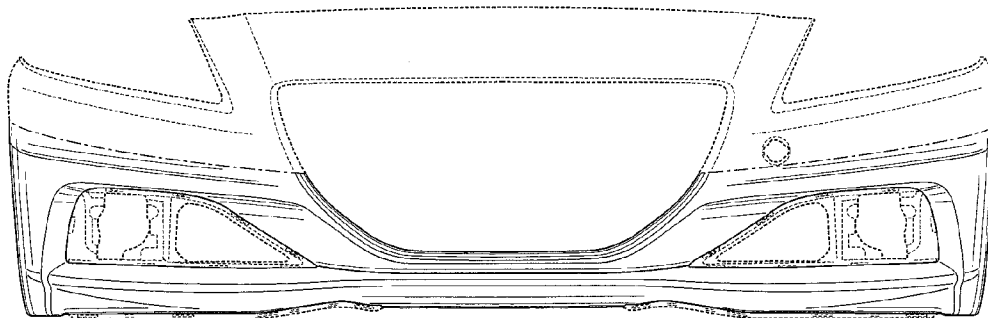


FIG.1

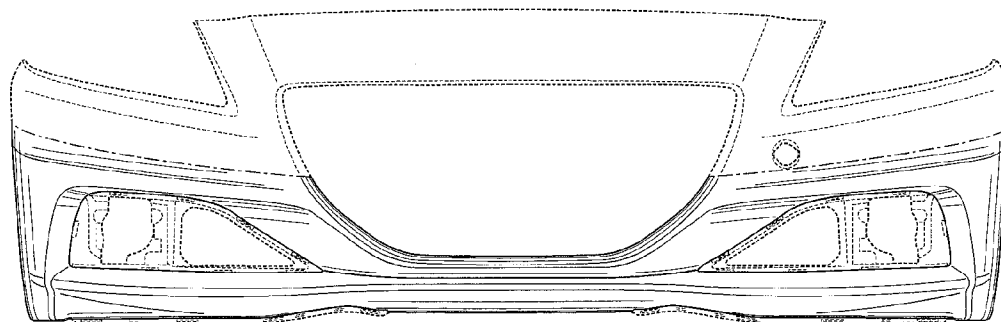


FIG.2

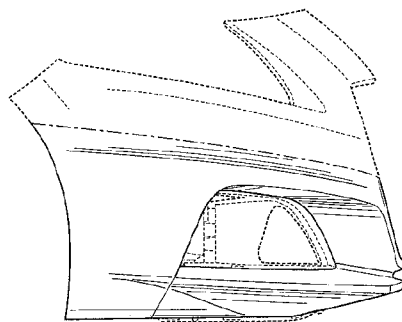


FIG.3

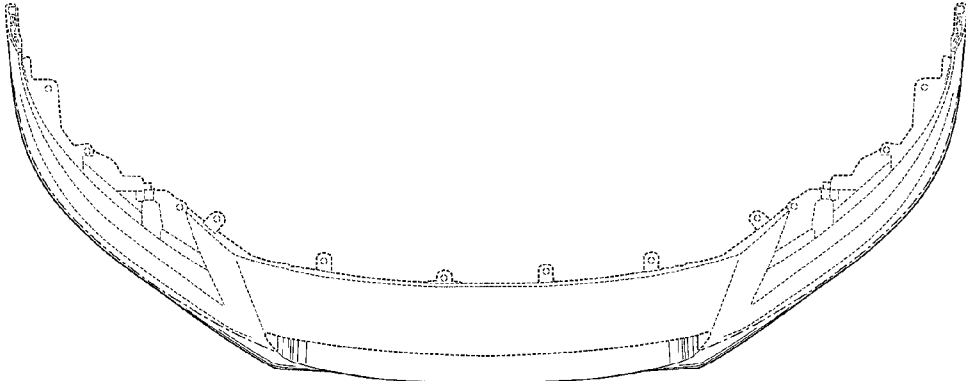


FIG.4

