



US00D441231S

(12) **United States Design Patent**
Purcell et al.

(10) **Patent No.:** **US D441,231 S**

(45) **Date of Patent:** **** May 1, 2001**

- (54) **PAPER TOWEL DISPENSER**
- (75) Inventors: **Ricky W. Purcell**, Alpharetta; **David W. Kapiloff**, Gainesville, both of GA (US); **Wayne E. Ford, Jr.**, Yardville, NJ (US)
- (73) Assignee: **Kimberly-Clark Worldwide, Inc.**, Neenah, WI (US)
- (**) Term: **14 Years**
- (21) Appl. No.: **29/122,634**
- (22) Filed: **May 1, 2000**
- (51) **LOC (7) Cl.** **23-02**
- (52) **U.S. Cl.** **D6/522**
- (58) **Field of Search** D6/515, 518, 521, D6/522, 523; 206/389, 824; 221/26, 33, 282, 283; 242/570; 312/34.1, 34.4, 34.8

- 4,790,490 12/1988 Chakravorty .
- 4,846,035 7/1989 Granger .
- 4,960,248 10/1990 Bauer et al. .
- 5,048,386 9/1991 DeLuca et al. .
- 5,078,033 1/1992 Formon .
- 5,135,147 8/1992 Granger .
- 5,146,830 9/1992 Granger .
- 5,161,723 11/1992 Wirtz-Odenthal .
- 5,205,454 4/1993 Schutz et al. .
- 5,244,161 9/1993 Wirtz-Odenthal .
- 5,257,711 11/1993 Wirtz-Odenthal .
- 5,318,210 6/1994 Morand .
- 5,335,811 8/1994 Morand .
- 5,441,189 8/1995 Formon et al. .
- 5,549,218 8/1996 Asmussen .
- 5,558,302 9/1996 Jespersion .
- 5,630,526 5/1997 Moody .
- 5,772,291 6/1998 Byrd et al. .
- 5,836,862 11/1998 Granger .
- 5,868,343 2/1999 Granger .
- 5,924,617 7/1999 LaCount et al. .
- 5,937,718 8/1999 Granger .
- 5,967,011 10/1999 Feldkamper et al. .
- 5,975,456 11/1999 Bodkin et al. .
- 5,979,062 11/1999 Prosan .
- 5,979,284 11/1999 Granger .
- 6,012,674 1/2000 Leeuwenburg .
- 6,027,002 2/2000 Granger .

(56) **References Cited**

U.S. PATENT DOCUMENTS

- D. 293,750 1/1988 Leotta .
- D. 312,179 11/1990 DeLuca et al. .
- D. 316,788 * 5/1991 Fischer et al. D6/522
- D. 332,023 12/1992 Campbell .
- D. 346,519 * 5/1994 Krueger et al. D6/522
- D. 347,135 5/1994 Morand .
- D. 363,628 10/1995 McCanless .
- D. 398,797 * 9/1998 Brandenburg et al. D6/522
- D. 421,542 3/2000 Tramontina .
- D. 426,412 * 6/2000 Cameron D6/522
- 3,697,146 10/1972 Boisen .
- 3,713,569 1/1973 Dashnier et al. .
- 4,122,738 10/1978 Granger .
- 4,206,858 6/1980 DeLuca et al. .
- 4,213,363 7/1980 Granger .
- 4,307,639 12/1981 DeLuca .
- 4,362,278 12/1982 Hopkinson .
- 4,404,880 9/1983 DeLuca .
- 4,432,261 2/1984 DeLuca .
- 4,441,392 4/1984 DeLuca .
- 4,552,315 11/1985 Granger .
- 4,621,755 11/1986 Granger .
- 4,634,033 1/1987 Lloyd .
- 4,635,837 1/1987 Granger .
- 4,712,461 12/1987 Rasmussen .
- 4,732,306 3/1988 Jespersion .

* cited by examiner

Primary Examiner—Brian N. Vinson
(74) *Attorney, Agent, or Firm*—Dority & Manning

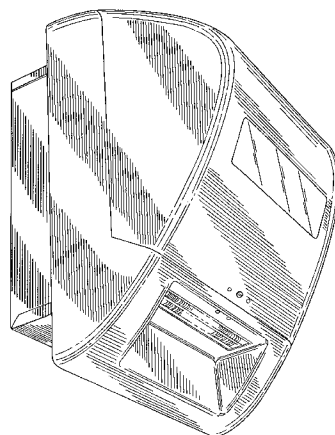
(57) **CLAIM**

The ornamental design for a paper towel dispenser, as shown and described herein.

DESCRIPTION

FIG. 1 is a perspective view of the dispenser according to the invention;
FIG. 2 is an additional perspective view of the dispenser;
FIG. 3 is a side view of the dispenser;
FIG. 4 is an opposite side view of the dispenser;
FIG. 5 is a top view of the dispenser;
FIG. 6 is a bottom view of the dispenser;
FIG. 7 is a back side view of the dispenser; and,
FIG. 8 is a front view of the dispenser according to the invention.

1 Claim, 8 Drawing Sheets



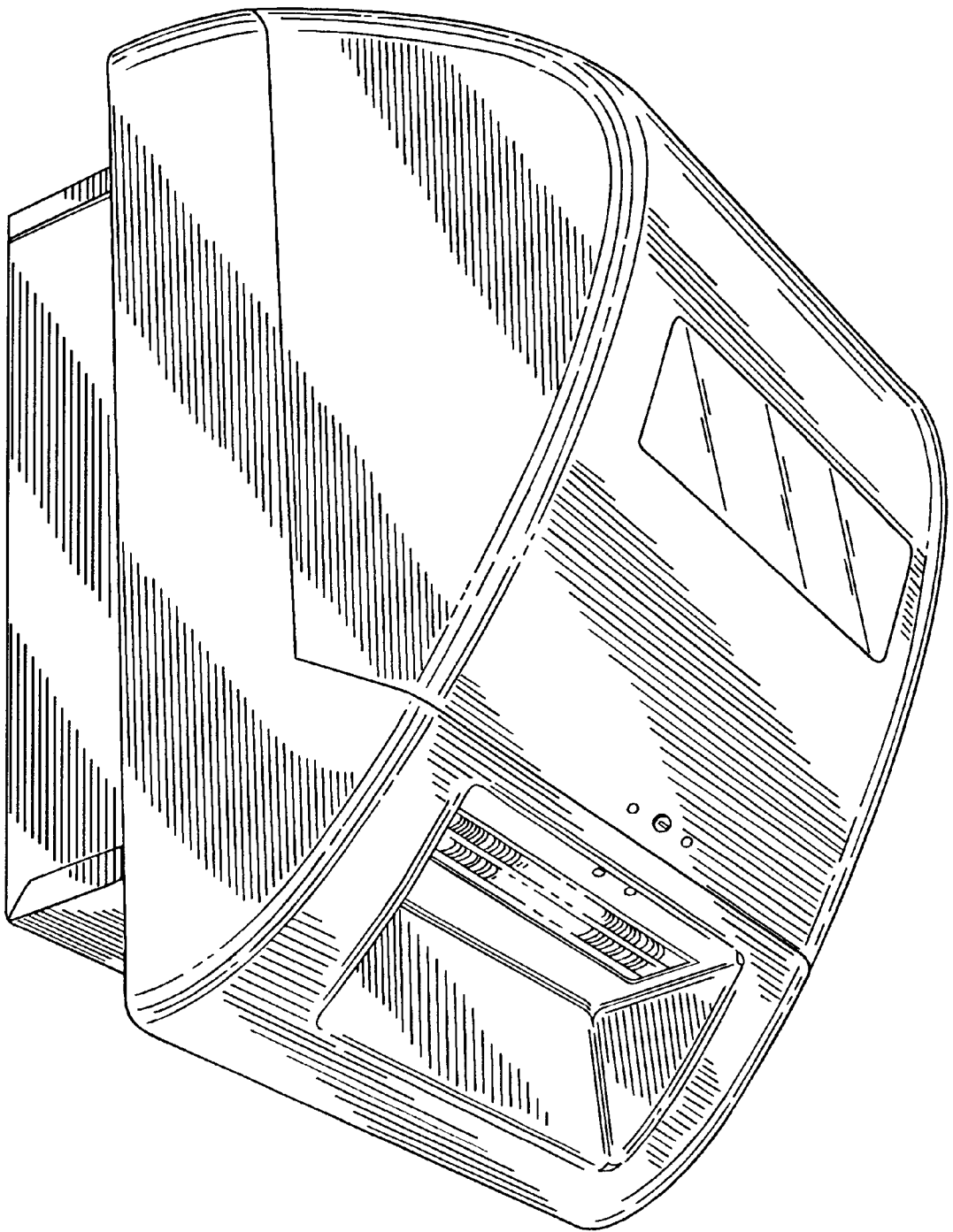


FIG. 1

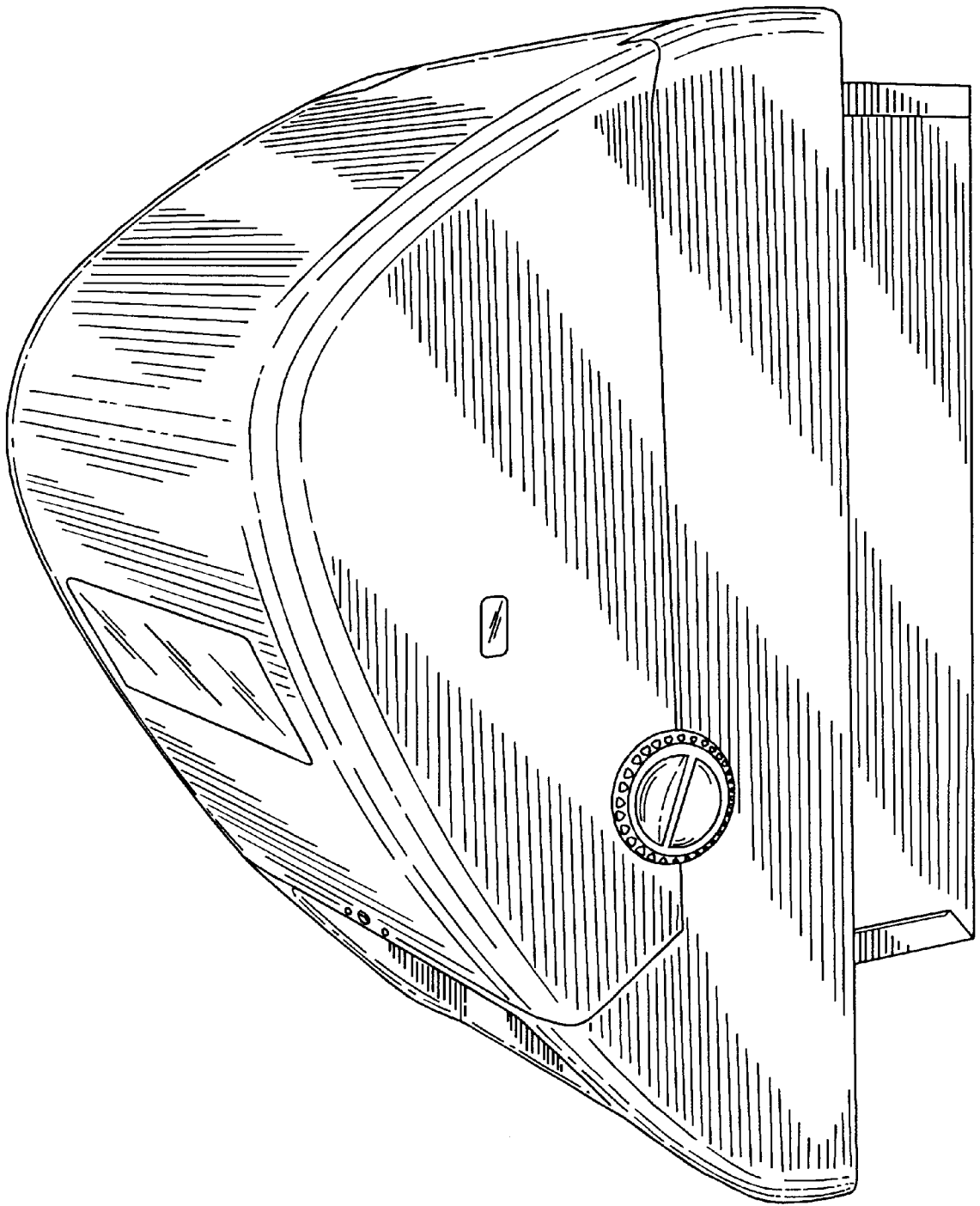


FIG. 2

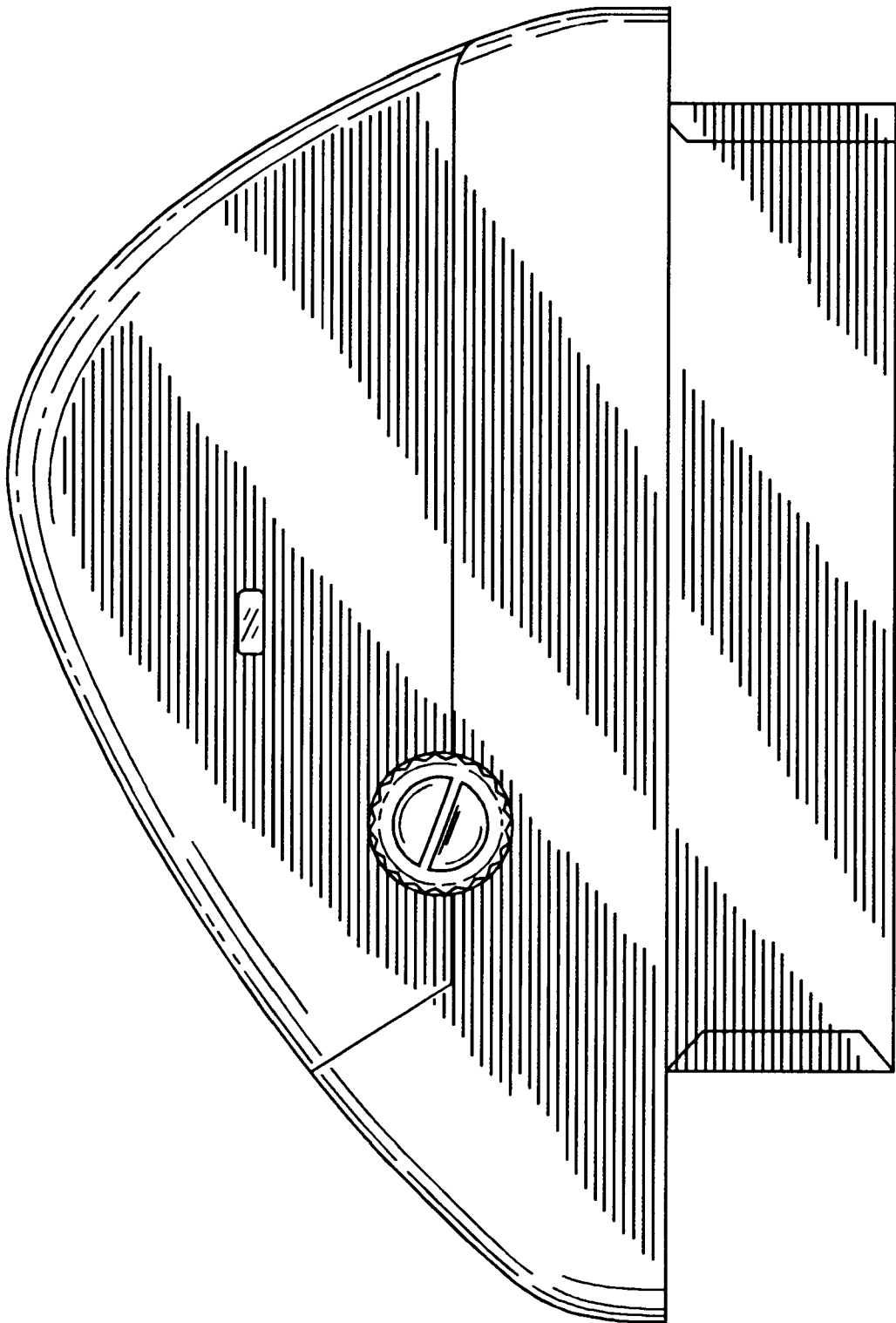


FIG. 3

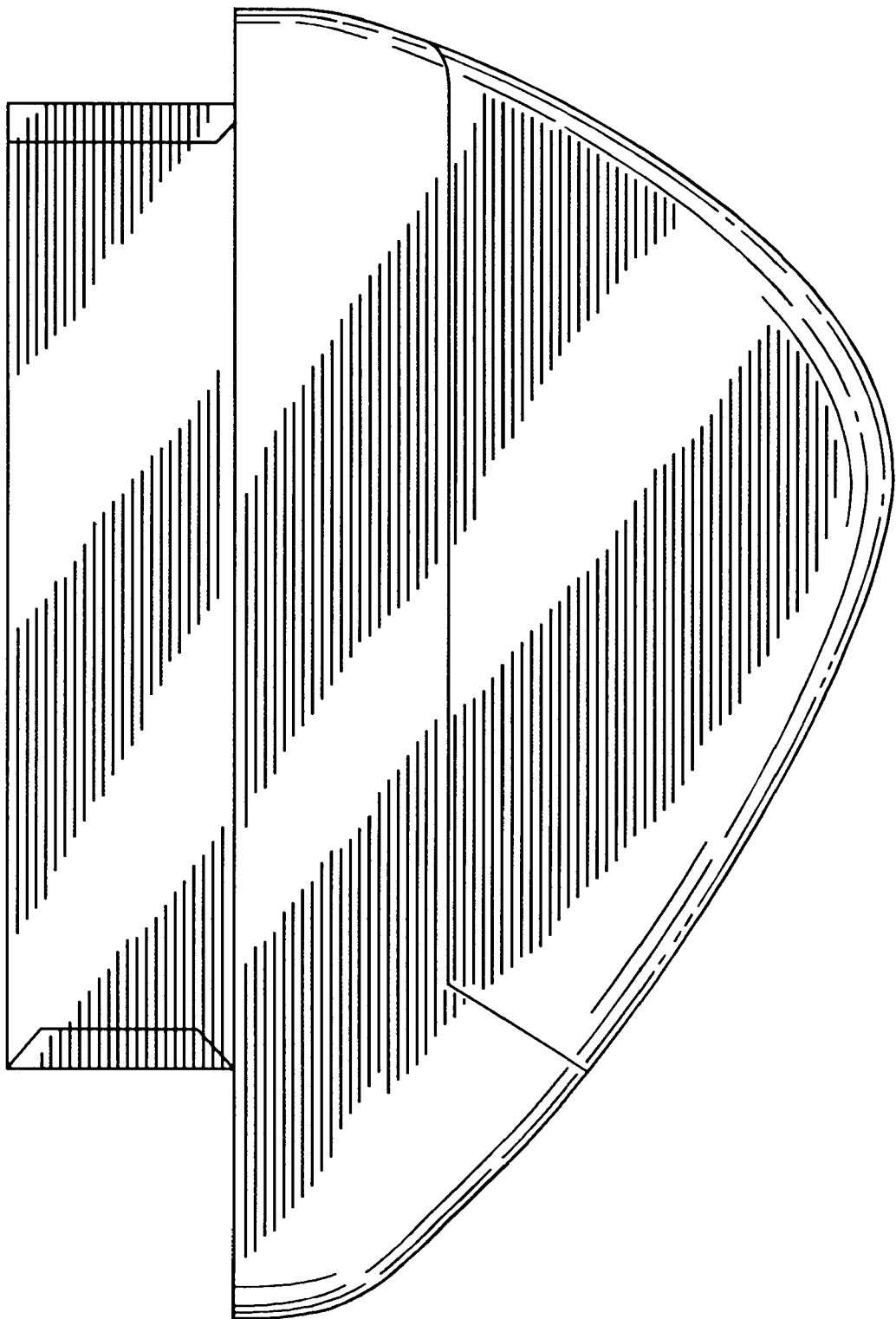


FIG. 4

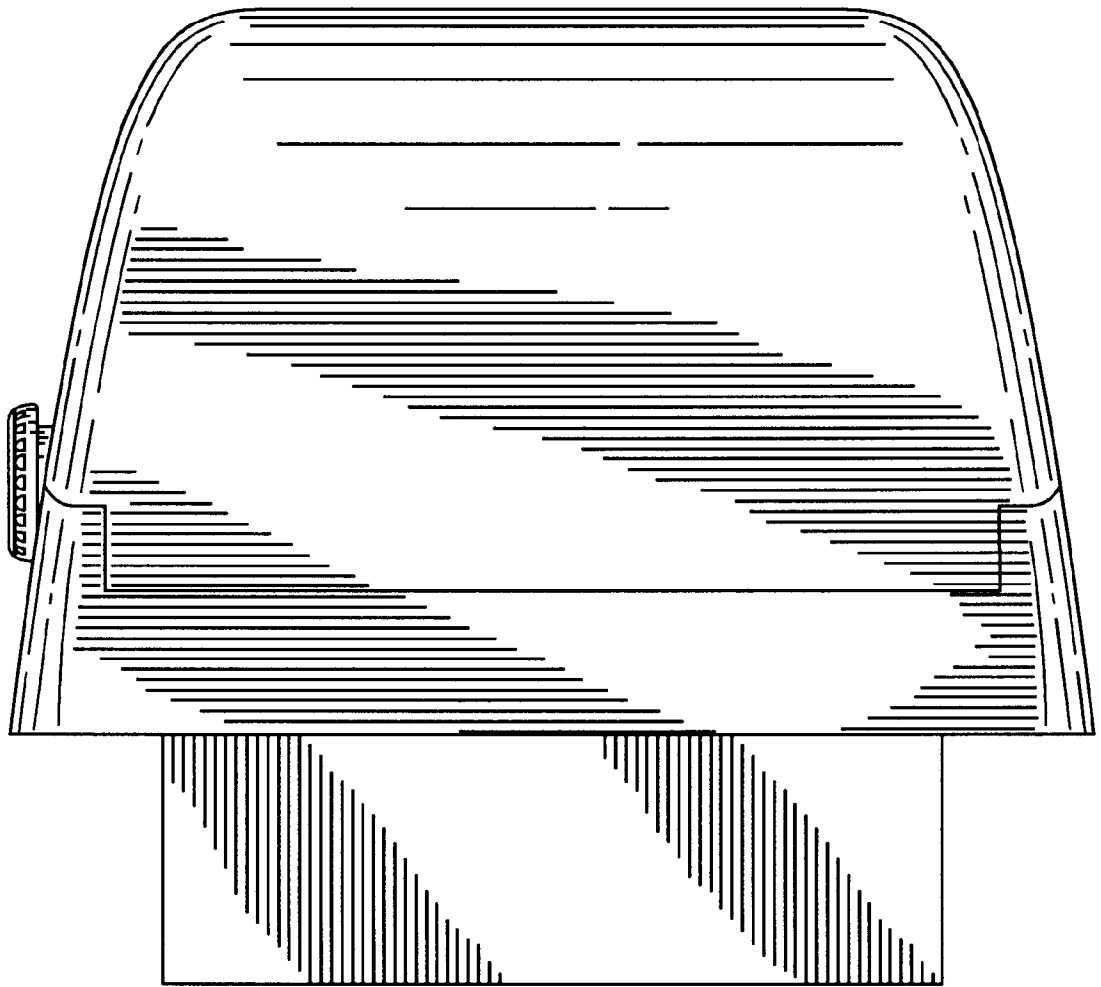


FIG. 5

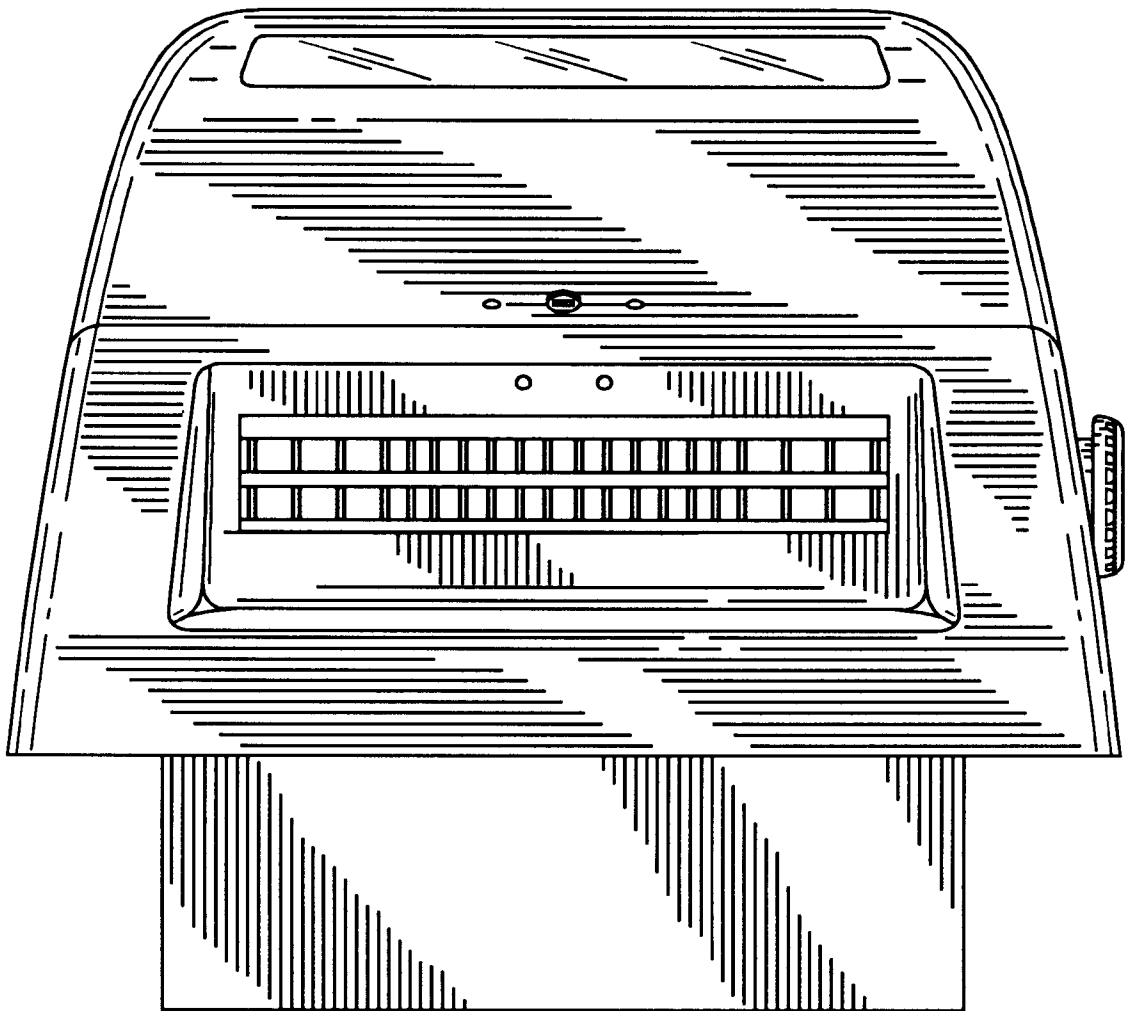


FIG. 6

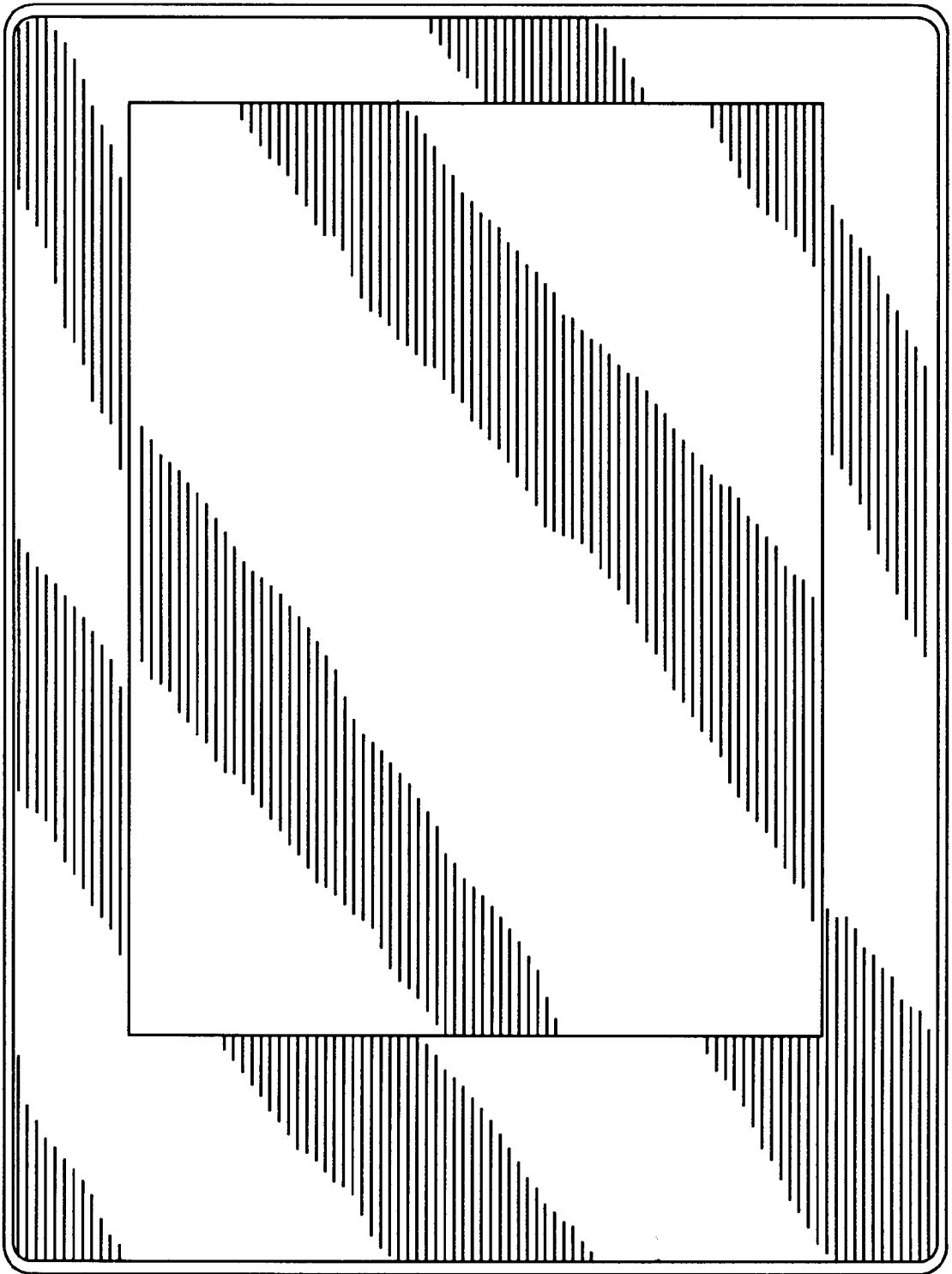


FIG. 7

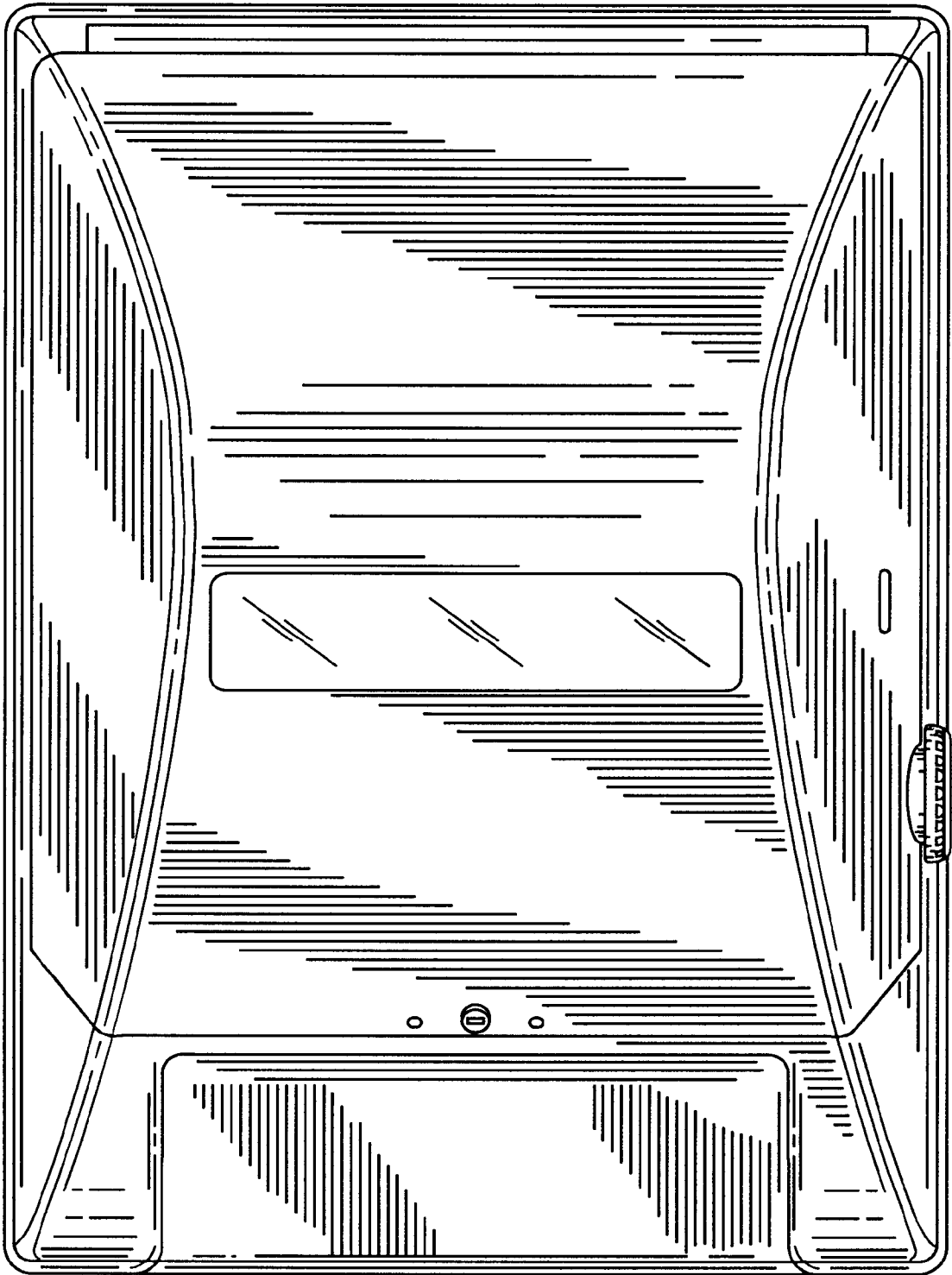


FIG. 8