



US00D930264S

(12) **United States Design Patent** (10) **Patent No.:** **US D930,264 S**
Kratz (45) **Date of Patent:** **** Sep. 7, 2021**

(54) **BIRDHOUSE**
(71) Applicant: **Roger Kratz**, Kildeer, IL (US)
(72) Inventor: **Roger Kratz**, Kildeer, IL (US)
(**) Term: **15 Years**
(21) Appl. No.: **29/692,726**
(22) Filed: **May 28, 2019**

D406,922 S * 3/1999 Darbutas D30/111
D417,527 S * 12/1999 Knuth D30/111
D421,509 S * 3/2000 Carpenter D30/110
D424,251 S * 5/2000 Pickering D30/124
6,170,437 B1 1/2001 Jones
6,397,779 B1 6/2002 Bonne
6,477,983 B1 11/2002 Bette
D468,252 S * 1/2003 Morris D12/223
D615,852 S * 5/2010 Sullivan D8/380
D650,534 S * 12/2011 Bormann D30/110
D656,268 S * 3/2012 Hollett D26/142
D671,692 S * 11/2012 Carter D30/124
D705,997 S * 5/2014 Gil Duarte Pereira D30/110
D725,314 S * 3/2015 Clark, Jr. D30/110
D748,459 S * 2/2016 Bohne D8/380
D828,830 S * 9/2018 Soon D14/253
2014/0123907 A1 5/2014 James
2018/0077908 A1* 3/2018 Kratz A01K 31/14

Related U.S. Application Data

(63) Continuation of application No. 15/460,017, filed on Mar. 15, 2017, now Pat. No. 10,349,633.
(51) **LOC (13) Cl.** **30-02**
(52) **U.S. Cl.**
USPC **D30/110**
(58) **Field of Classification Search**
USPC D30/108-120, 124-128, 157, 199;
D8/380-382; D19/34.1-34.5
CPC A01K 31/12; A01K 31/14; A01K 31/08;
A01K 31/03; A01K 1/0245; E04H
15/008; E04H 1/1205; E04H 15/006;
E04H 15/24; E04H 15/26; A63H 33/008
See application file for complete search history.

* cited by examiner

Primary Examiner — Aula Soroush

(74) *Attorney, Agent, or Firm* — Greer, Burns & Crain Ltd.

(57) **CLAIM**

The ornamental design for a birdhouse, as shown and described.

DESCRIPTION

FIG. 1 is a front view of the present birdhouse;
FIG. 2 is a right side view of the birdhouse of FIG. 1, the left side being a mirror image of the same;
FIG. 3 is a rear view of the birdhouse of FIG. 1;
FIG. 4 is a top view of the birdhouse of FIG. 1;
FIG. 5 is a bottom view of the birdhouse of FIG. 1; and,
FIG. 6 is a side perspective view of the birdhouse of FIG. 1.
The broken lines in the drawings illustrate portions of the birdhouse that form no part of the claimed design.

1 Claim, 6 Drawing Sheets

(56) **References Cited**

U.S. PATENT DOCUMENTS

D194,750 S * 3/1963 Dahmus D30/110
D243,464 S * 2/1977 Greene D30/110
5,000,121 A 3/1991 Daily
5,134,970 A 8/1992 Oh
5,381,627 A * 1/1995 Simon E05B 17/00
49/70
D358,907 S * 5/1995 Spivey D30/110
D381,776 S * 7/1997 Potente D30/110

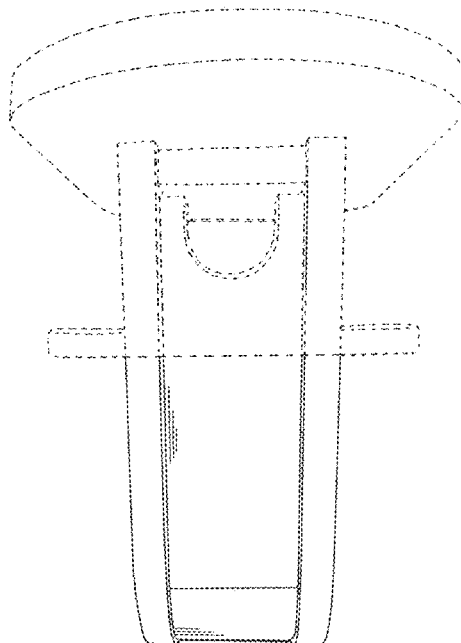


FIG. 1

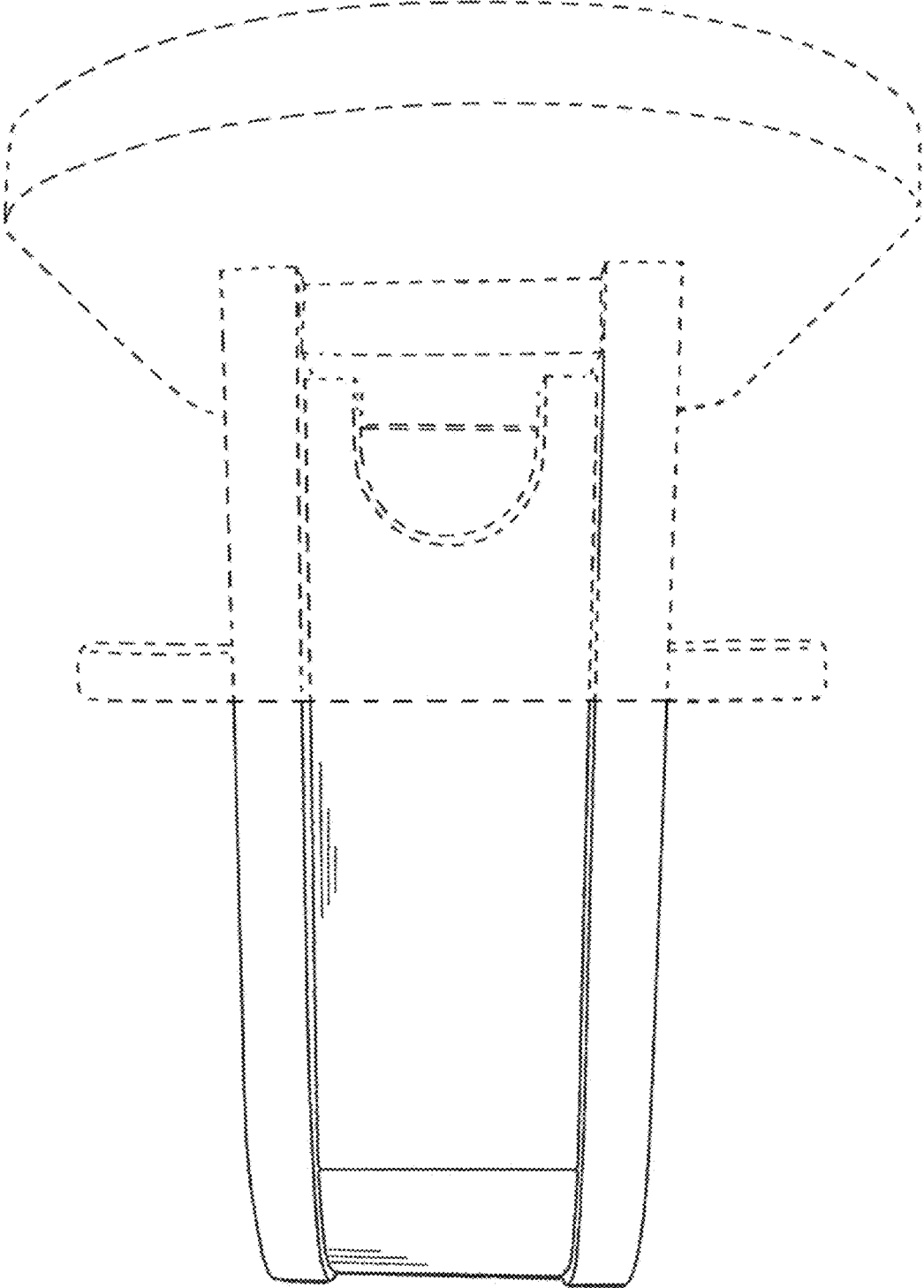


FIG. 2

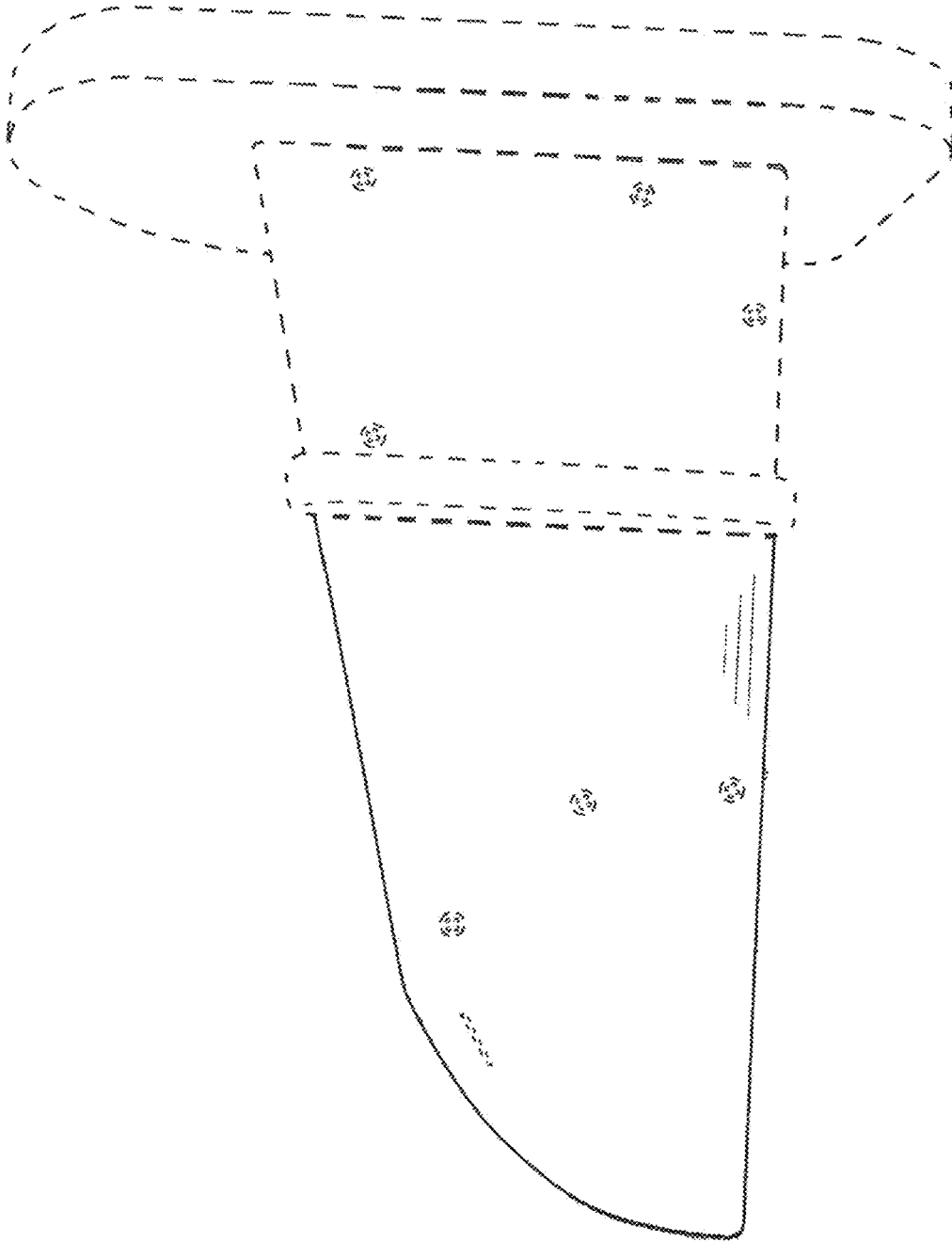


FIG. 3

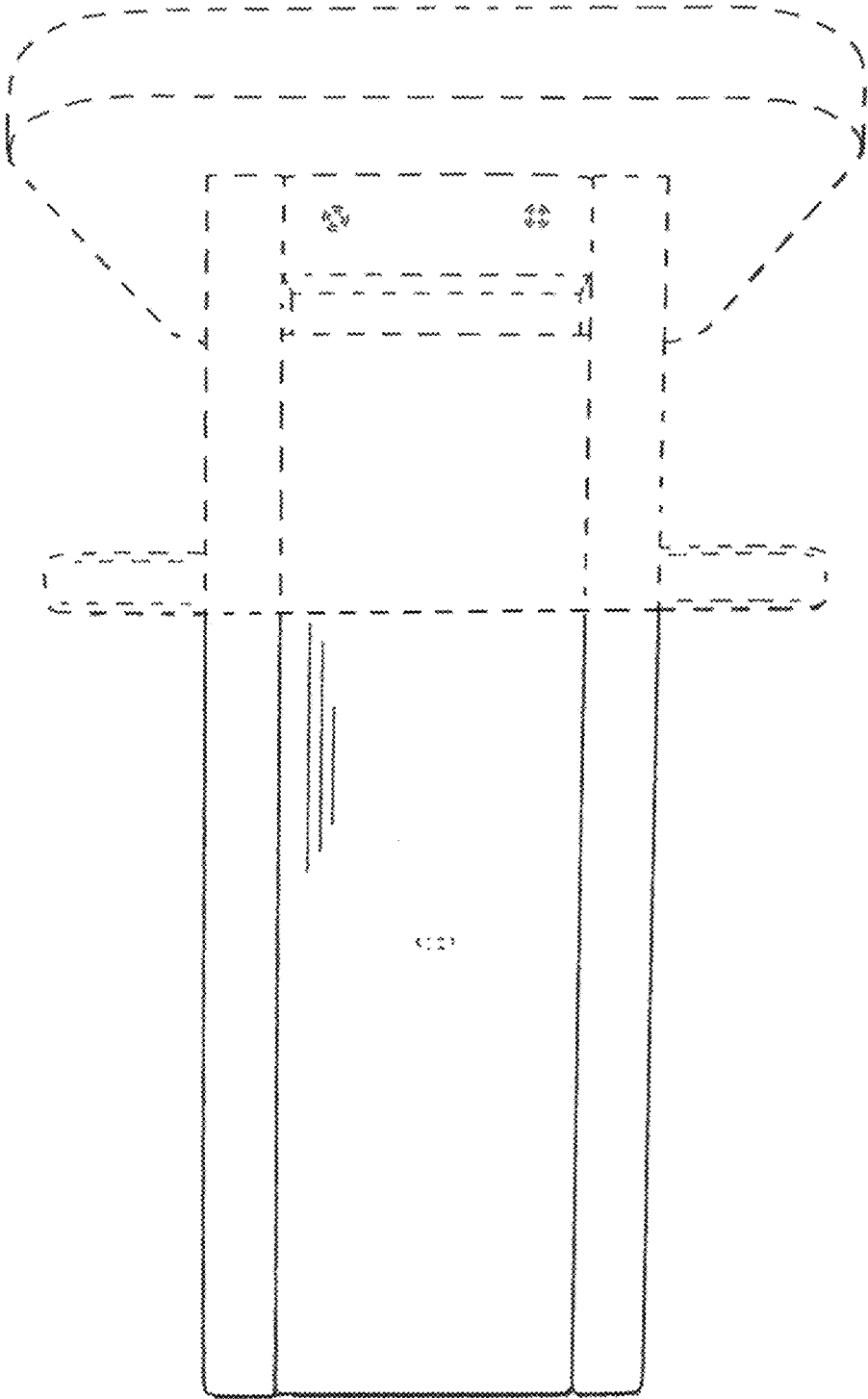


FIG. 4

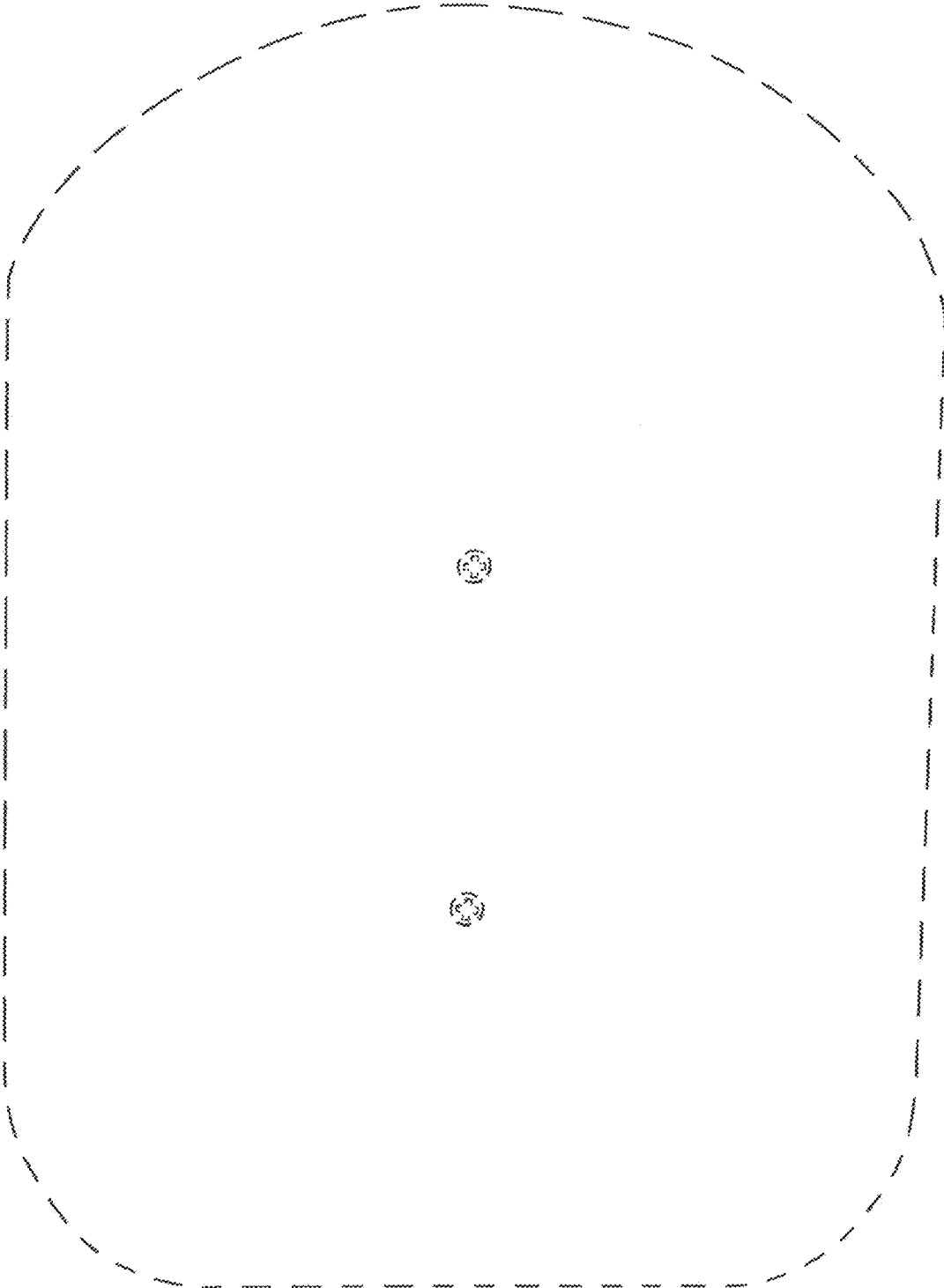
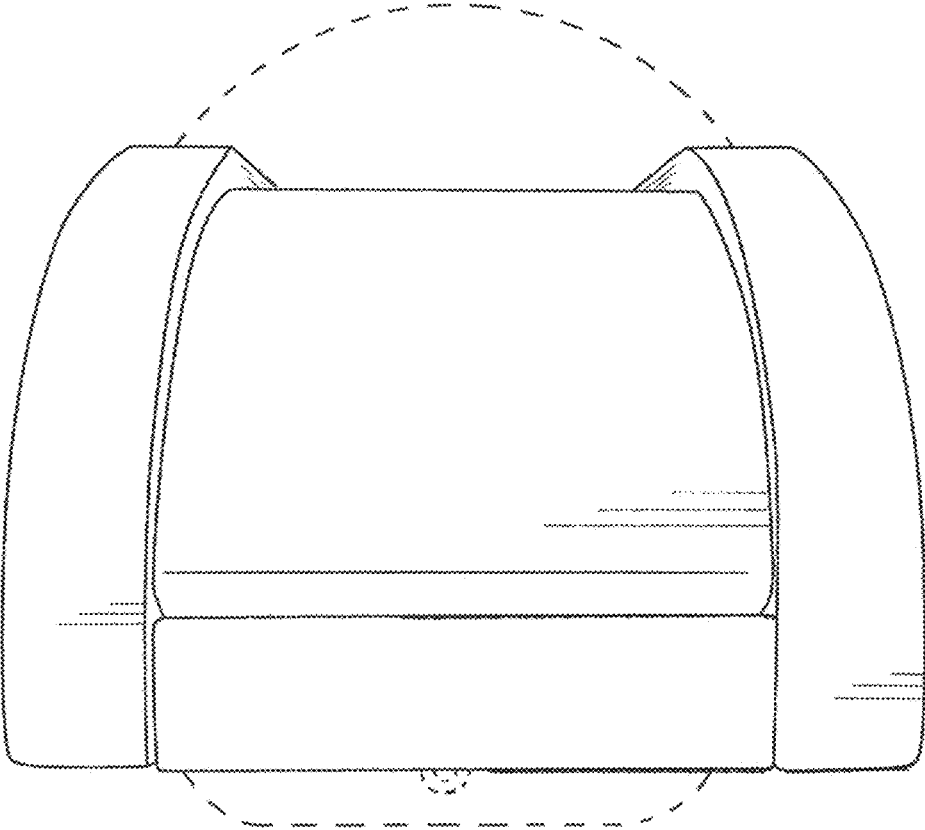


FIG. 5



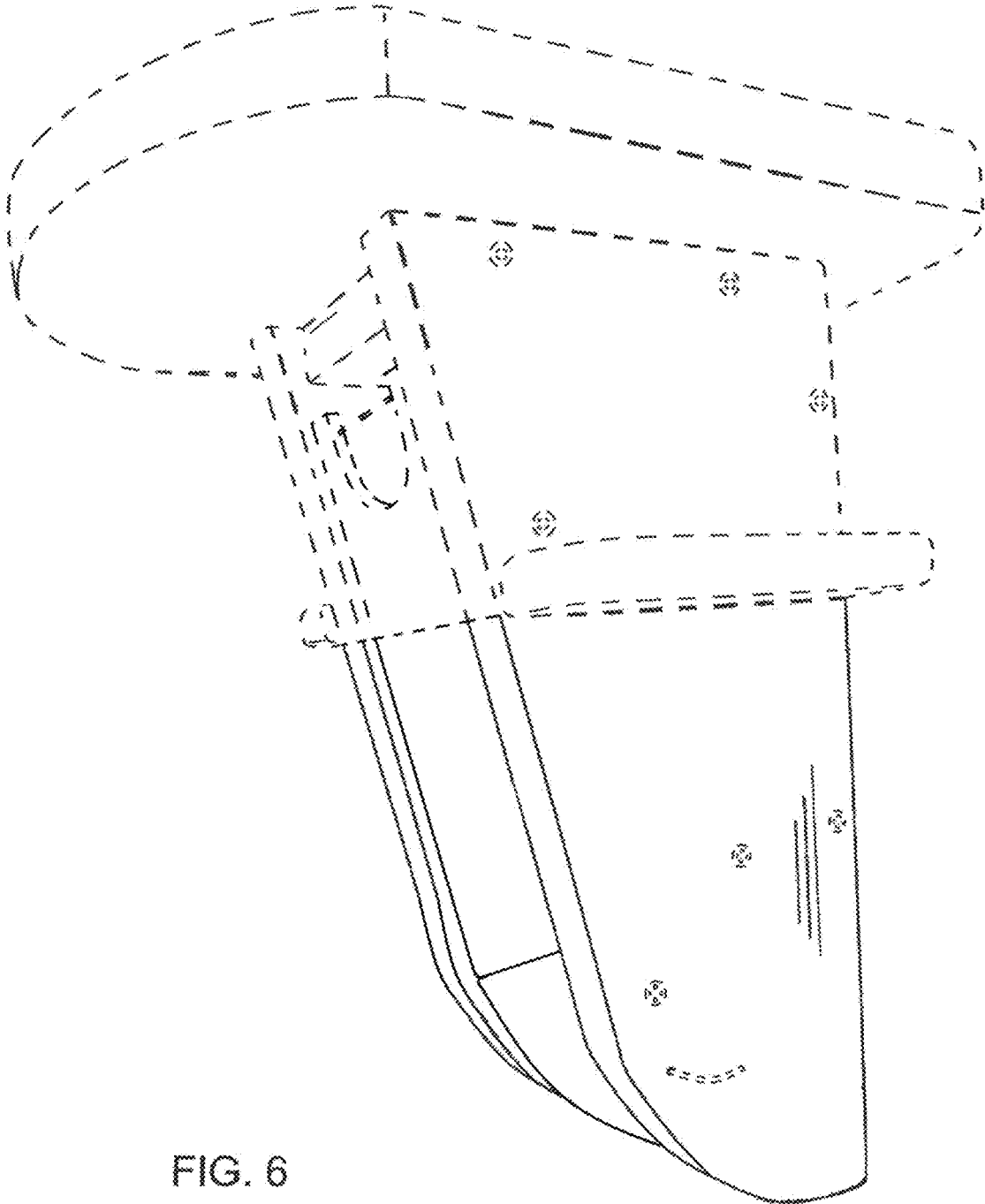


FIG. 6