

(19) World Intellectual Property Organization
International Bureau



(43) International Publication Date
22 November 2007 (22.11.2007)

PCT

(10) International Publication Number
WO 2007/133410 A3

- (51) International Patent Classification:
F16B 13/06 (2006.01)
- (21) International Application Number:
PCT/US2007/010047
- (22) International Filing Date: 26 April 2007 (26.04.2007)
- (25) Filing Language: English
- (26) Publication Language: English
- (30) Priority Data:
60/795,954 29 April 2006 (29.04.2006) US
- (71) Applicant and
(72) Inventor: RICHIE, Roy A. [US/US]; 4110 E. 32nd Street,
Tucson, AZ 85711 (US).
- (81) Designated States (unless otherwise indicated, for every
kind of national protection available): AE, AG, AL, AM,
AT, AU, AZ, BA, BB, BG, BH, BR, BW, BY, BZ, CA, CH,

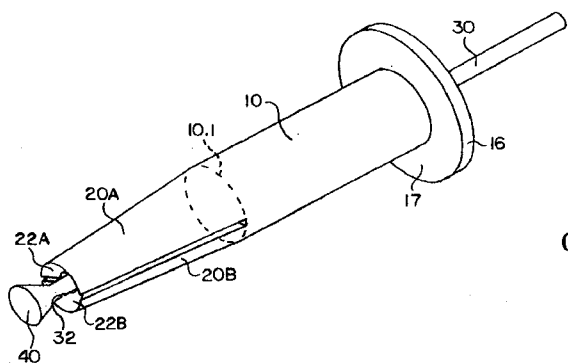
CN, CO, CR, CU, CZ, DE, DK, DM, DZ, EC, EE, EG, ES, FI, GB, GD, GE, GH, GM, GT, HN, HR, HU, ID, IL, IN, IS, JP, KE, KG, KM, KN, KP, KR, KZ, LA, LC, LK, LR, LS, LT, LU, LY, MA, MD, ME, MG, MK, MN, MW, MX, MY, MZ, NA, NG, NI, NO, NZ, OM, PG, PH, PL, PT, RO, RS, RU, SC, SD, SE, SG, SK, SL, SM, SV, SY, TJ, TM, TN, TR, TT, TZ, UA, UG, US, UZ, VC, VN, ZA, ZM, ZW.

(84) Designated States (unless otherwise indicated, for every kind of regional protection available): ARIPO (BW, GH, GM, KE, LS, MW, MZ, NA, SD, SL, SZ, TZ, UG, ZM, ZW), Eurasian (AM, AZ, BY, KG, KZ, MD, RU, TJ, TM), European (AT, BE, BG, CH, CY, CZ, DE, DK, EE, ES, FI, FR, GB, GR, HU, IE, IS, IT, LT, LU, LV, MC, MT, NL, PL, PT, RO, SE, SI, SK, TR), OAPI (BF, BJ, CF, CG, CI, CM, GA, GN, GQ, GW, ML, MR, NE, SN, TD, TG).

Published:
— with international search report

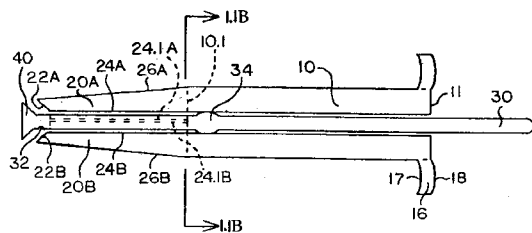
(88) Date of publication of the international search report:
13 November 2008

(54) Title: ANCHOR STRUCTURE WITH BIDIRECTIONALLY DEFLECTABLE BORE GRIPPING FINGERS

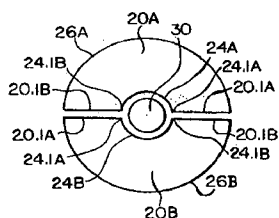


0

(57) Abstract: A bore gripping anchor structure for attaching articles to the outer surfaces of masonry materials and other solids which is actuated by a blind rivet type installation tool. A basic embodiment has an anchor component with bidirectionally deflectable fingers (20) and a concentrically situated and slidably housed actuator device which has a stem (30) and a force applying portion, anvil (40). After insertion into a bore in a first direction, the actuator device is pulled in the opposite direction, so that said anvil (40) interacts with said fingers (20) in a manner which causes said fingers (20) to first be deflected outward and into substantial contact with the wall of the bore, and with continued pulling of said anvil (40) in the opposite direction causes the end portions of said fingers (20) to deflect inward and behind said anvil (40), to couple the anchor structure with the bore.



1A



1B

WO 2007/133410 A3

INTERNATIONAL SEARCH REPORT

International application No.

PCT/US07/10047

A. CLASSIFICATION OF SUBJECT MATTER
 IPC: **F16B 13/06** (2006.01)

USPC: 411/43,45,60.1
 According to International Patent Classification (IPC) or to both national classification and IPC

B. FIELDS SEARCHED

Minimum documentation searched (classification system followed by classification symbols)
 U.S. : 411/34,38,43,45-48,57.1.60.1,60.3,69

Documentation searched other than minimum documentation to the extent that such documents are included in the fields searched

Electronic data base consulted during the international search (name of data base and, where practicable, search terms used)


C. DOCUMENTS CONSIDERED TO BE RELEVANT

Category *	Citation of document, with indication, where appropriate, of the relevant passages	Relevant to claim No.
Y	US 3,106,570 (ZIFFERER et al.) 22 October 1963 (22.10.1963), entire document.	1-20
Y	US 3,491,649 (SMOUTON et al.) 21 January 1970 (21.01.1970), entire document.	1-20
Y	US 4,898,505 (FROEHLICH) 06 February 1990 (06.02.1990), see reference numeral 2d.	11

Further documents are listed in the continuation of Box C. See patent family annex.

* Special categories of cited documents:	"T" later document published after the international filing date or priority date and not in conflict with the application but cited to understand the principle or theory underlying the invention
"A" document defining the general state of the art which is not considered to be of particular relevance	"X" document of particular relevance; the claimed invention cannot be considered novel or cannot be considered to involve an inventive step when the document is taken alone
"E" earlier application or patent published on or after the international filing date	"Y" document of particular relevance; the claimed invention cannot be considered to involve an inventive step when the document is combined with one or more other such documents, such combination being obvious to a person skilled in the art
"L" document which may throw doubts on priority claim(s) or which is cited to establish the publication date of another citation or other special reason (as specified)	"&" document member of the same patent family
"O" document referring to an oral disclosure, use, exhibition or other means	
"P" document published prior to the international filing date but later than the priority date claimed	

Date of the actual completion of the international search 26 July 2008 (26.07.2008)	Date of mailing of the international search report 26 AUG 2008
--	--

Name and mailing address of the ISA/US Mail Stop PCT, Attn: ISA/US Commissioner for Patents P.O. Box 1450 Alexandria, Virginia 22313-1450 Facsimile No. (571) 273-3201	Authorized officer Flemming Saethers  Telephone No. 571-272-3600
---	--