



US00D716490S

(12) **United States Design Patent**  
**De Bevilacqua et al.**

(10) **Patent No.:** **US D716,490 S**

(45) **Date of Patent:** **\*\* Oct. 28, 2014**

(54) **HANGING LAMP**

(71) Applicant: **Artemide S.p.A.**, Milan (IT)

(72) Inventors: **Carlotta De Bevilacqua**, Milan (IT);  
**Paolo Dell'Elce**, Milan (IT)

(73) Assignee: **Artemide S.p.A.**, Milan (IT)

(\*\*) Term: **14 Years**

(21) Appl. No.: **29/469,868**

(22) Filed: **Oct. 15, 2013**

(30) **Foreign Application Priority Data**

Apr. 15, 2013 (EM) ..... 002220640-0008

(51) **LOC (10) Cl.** ..... **26-03**

(52) **U.S. Cl.**  
USPC ..... **D26/90**

(58) **Field of Classification Search**  
USPC ..... D26/72, 80, 81, 82, 83, 84, 88, 90, 91,  
D26/118, 128, 138, 140, 141, 142, 155;  
362/147, 404-408  
See application file for complete search history.

(56) **References Cited**

**U.S. PATENT DOCUMENTS**

D468,051 S \* 12/2002 Gaskins et al. .... D26/123  
7,025,482 B2 \* 4/2006 Yamashita et al. .... 362/511

D591,448 S \* 4/2009 Huang ..... D26/142  
D655,846 S \* 3/2012 Sabernig ..... D26/83  
D666,760 S \* 9/2012 Arola Ferrer ..... D26/84  
D700,988 S \* 3/2014 Koho ..... D26/88  
D702,869 S \* 4/2014 Kondou et al. .... D26/88

\* cited by examiner

*Primary Examiner* — Clare E Heflin

(74) *Attorney, Agent, or Firm* — Venable LLP; Robert Kinberg

(57) **CLAIM**

We claim the ornamental design for a hanging lamp, as shown and described.

**DESCRIPTION**

FIG. 1 is a perspective view of a hanging lamp, according to an embodiment of the invention;  
FIG. 2 is a front view of a hanging lamp, according to FIG. 1;  
FIG. 3 is a rear view of a hanging lamp, according to FIG. 1;  
FIG. 4 is a side view of a hanging lamp, according to FIG. 1;  
FIG. 5 is an opposite side view of a hanging lamp, according to FIG. 1;  
FIG. 6 is a top view of a hanging lamp, according to FIG. 1; and,  
FIG. 7 is a bottom view of a hanging lamp, according to FIG. 1.

The broken lines shown on the drawings depict portions of the hanging lamp that form no part of the claimed design.

**1 Claim, 7 Drawing Sheets**

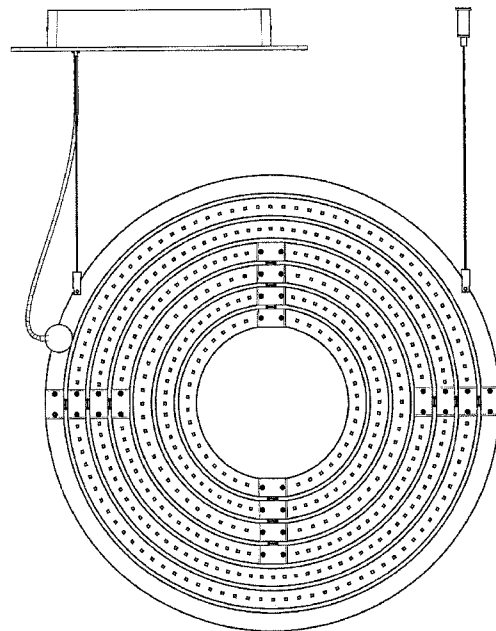
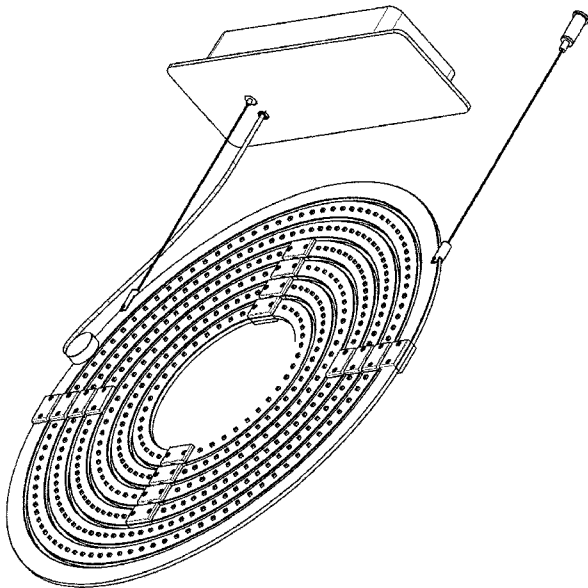


FIG. 1

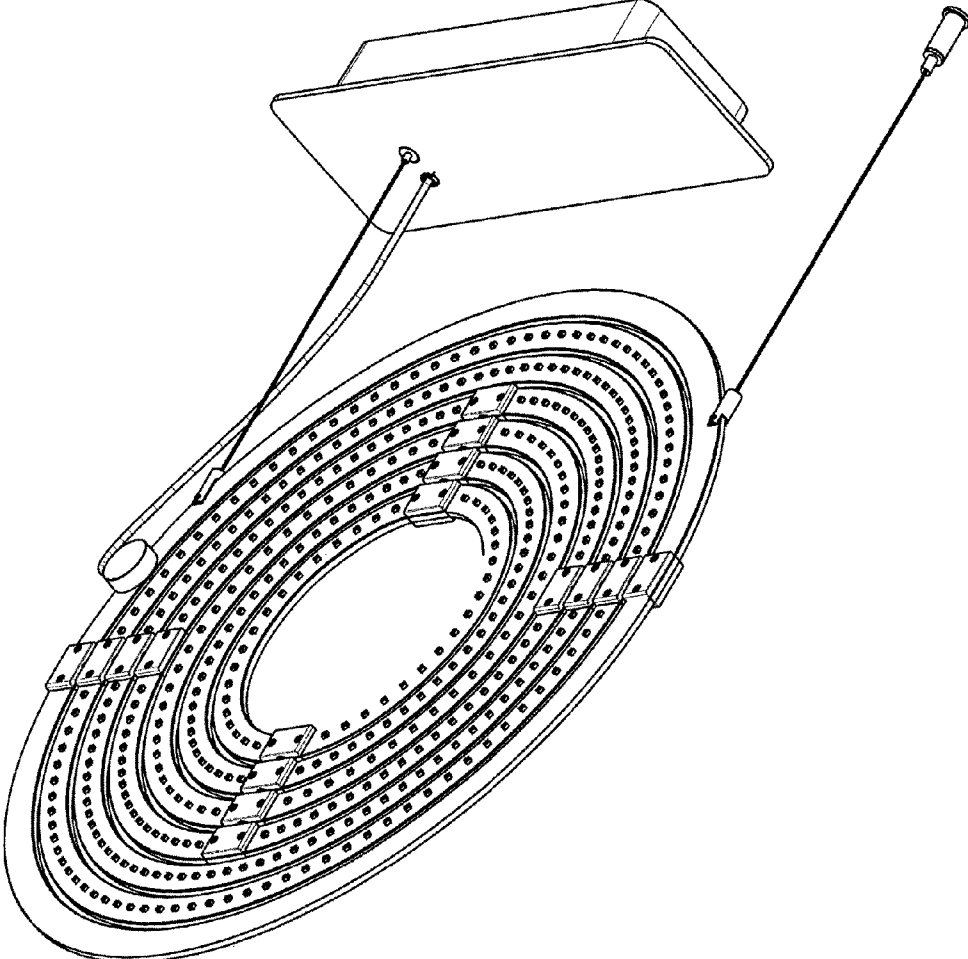


FIG. 2

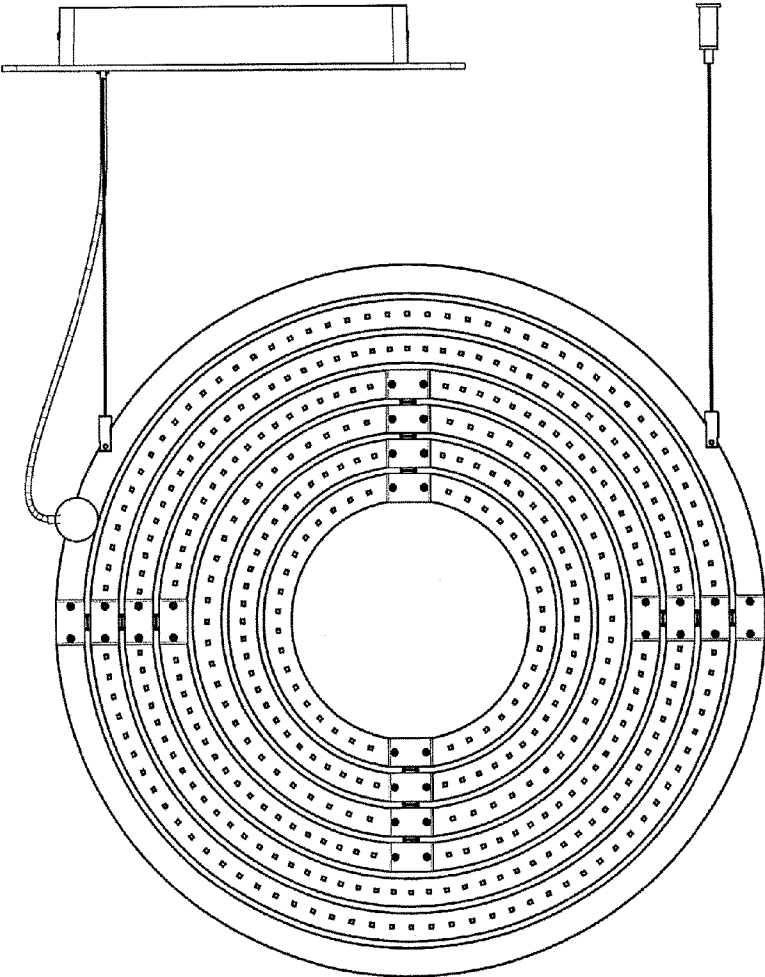


FIG. 3

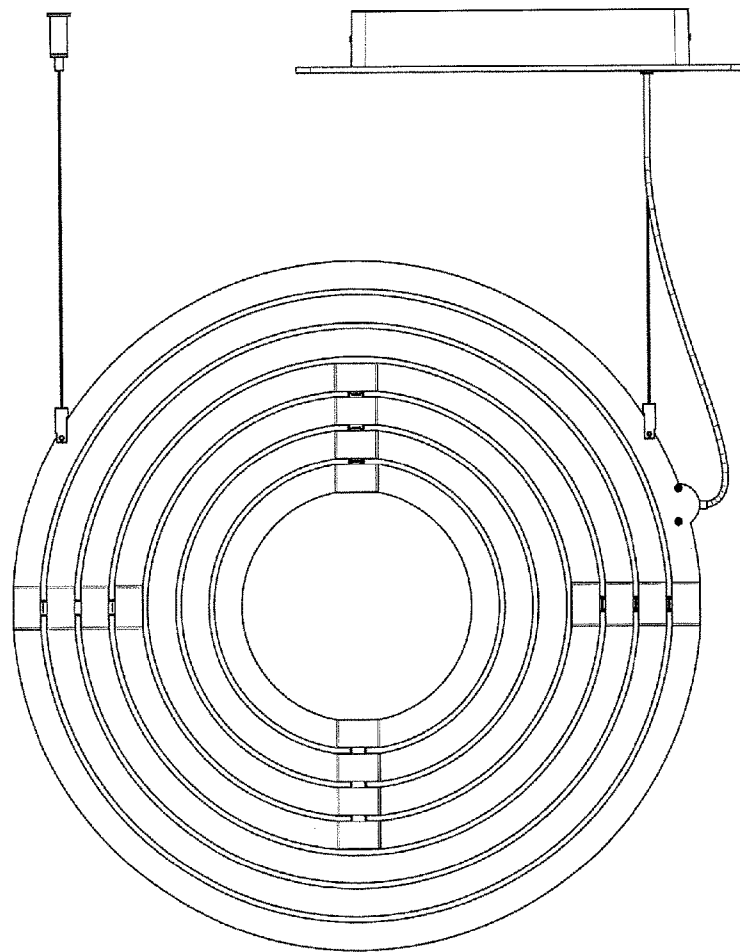


FIG. 4

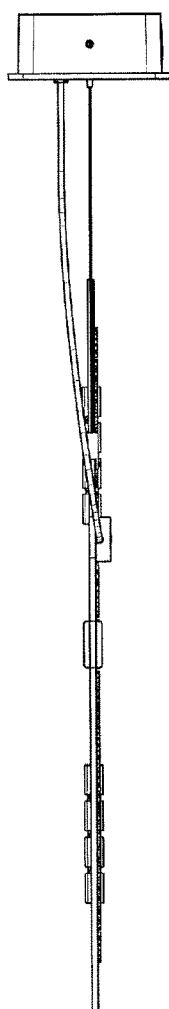


FIG. 5

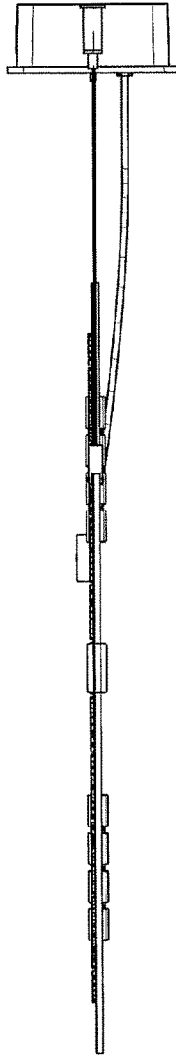


FIG. 6

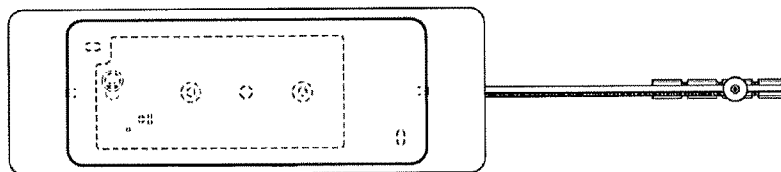


FIG. 7

