



US00D725627S

(12) **United States Design Patent**
Kalhok

(10) **Patent No.:** **US D725,627 S**

(45) **Date of Patent:** **** Mar. 31, 2015**

(54) **ELECTRONIC PENDANT**

(71) Applicant: **David Kalhok**, Marion, IL (US)

(72) Inventor: **David Kalhok**, Marion, IL (US)

(**) Term: **14 Years**

(21) Appl. No.: **29/473,906**

(22) Filed: **Nov. 26, 2013**

(51) **LOC (10) Cl.** **14-01**

(52) **U.S. Cl.**
USPC **D14/205**

(58) **Field of Classification Search**
CPC H04R 25/00
USPC D14/205, 206, 223, 137, 141.3, 218,
D14/240, 167, 188; D13/168; D10/106;
181/129, 130, 135; 379/430, 431;
381/380, 381; 455/90.3, 575.1, 550.1
See application file for complete search history.

(56) **References Cited**

U.S. PATENT DOCUMENTS

D180,551 S *	7/1957	Gribin et al.	D14/218
D307,579 S *	5/1990	Layne et al.	D13/137.3
D313,973 S *	1/1991	Walker	D13/168
D332,776 S *	1/1993	Kelly et al.	D14/346
D334,735 S *	4/1993	Cameron et al.	D13/168
D341,837 S *	11/1993	Curbbun	D14/218
D382,559 S *	8/1997	Hon et al.	D14/191
D389,139 S *	1/1998	Oross et al.	D14/137
D401,911 S *	12/1998	Hwang	D13/168
D453,752 S *	2/2002	Lee	D14/192
D490,069 S *	5/2004	Lee	D14/188
D492,665 S *	7/2004	Lee	D14/218
D493,175 S *	7/2004	Schmidt et al.	D14/433
D496,653 S *	9/2004	Townsend et al.	D14/240
D509,199 S *	9/2005	Haase et al.	D14/137
D511,157 S *	11/2005	Johnson	D14/223
D517,052 S *	3/2006	Skulley	D14/223

D550,656 S *	9/2007	Gerdom et al.	D14/223
D551,215 S *	9/2007	Lee et al.	D14/218
D555,146 S *	11/2007	Sandy	D14/167
D557,666 S *	12/2007	Schroter	D13/168
D558,740 S *	1/2008	Jaakkola et al.	D14/223
D565,023 S *	3/2008	Yamagishi	D14/205
D569,841 S *	5/2008	Chung et al.	D14/205
D572,230 S *	7/2008	Neu et al.	D14/155
D573,957 S *	7/2008	Ledbetter et al.	D13/168
D587,682 S *	3/2009	Miles	D14/205
D588,101 S *	3/2009	Bradford	D14/205
D592,677 S *	5/2009	Sheba et al.	D14/496
D605,170 S *	12/2009	Keinanen	D14/205
D613,273 S *	4/2010	Liner et al.	D14/223
D614,604 S *	4/2010	Hoehn et al.	D14/218
D638,409 S *	5/2011	Walter	D14/240
D640,241 S *	6/2011	Wai	D14/223
D646,668 S *	10/2011	Birger	D14/223
D649,532 S *	11/2011	Tran et al.	D14/218
D655,277 S *	3/2012	Wai	D14/223

(Continued)

Primary Examiner — Paula Greene

(74) *Attorney, Agent, or Firm* — Polsinelli PC

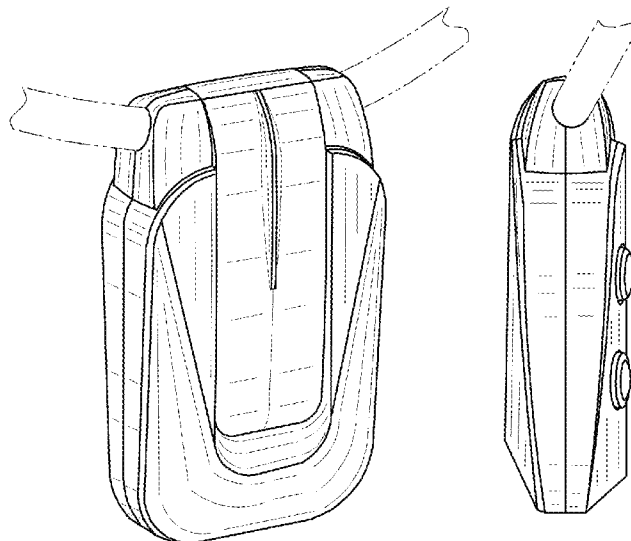
(57) **CLAIM**

The ornamental design for an electronic pendant, as shown and described.

DESCRIPTION

FIG. 1 is a perspective view of an electronic pendant, showing my design;
FIG. 2 is a front view of the electronic pendant;
FIG. 3 is an opposing rear side view of the electronic pendant;
FIG. 4 is a left side view of the electronic pendant;
FIG. 5 is an opposing right side view of the electronic pendant;
FIG. 6 is a top view of the electronic pendant; and,
FIG. 7 is an opposing bottom view of the electronic pendant.
The broken lines shown in FIGS. 1-7 are for illustrative purposes only and form no part of the claimed design.

1 Claim, 2 Drawing Sheets



(56)

References Cited

U.S. PATENT DOCUMENTS

D691,120 S *	10/2013	Koch	D14/223	D716,758 S *	11/2014	Burgett et al.	D14/205
D704,166 S *	5/2014	Sung	D14/218	D717,274 S *	11/2014	Burgett et al.	D14/205
D716,274 S *	10/2014	Henning	D14/223	D717,275 S *	11/2014	Burgett et al.	D14/205
				2004/0125078 A1 *	7/2004	Nishimori et al.	345/156

* cited by examiner

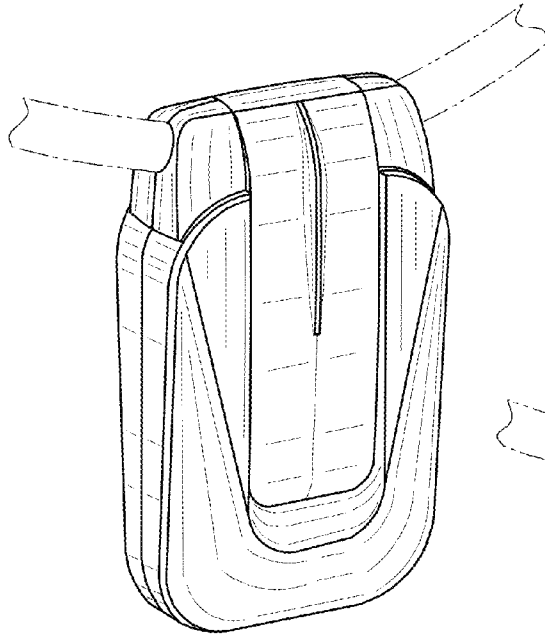


FIG. 1

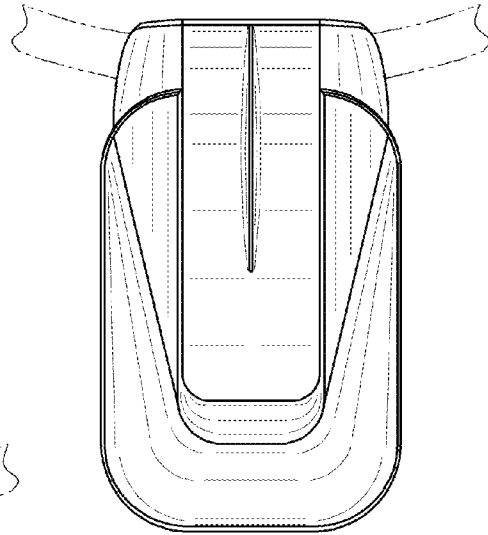


FIG. 2

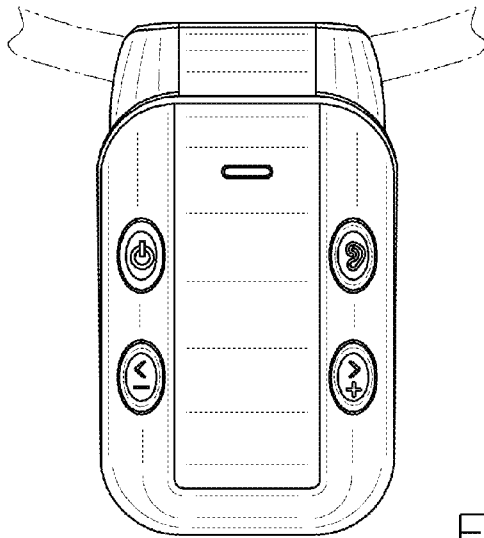


FIG. 3

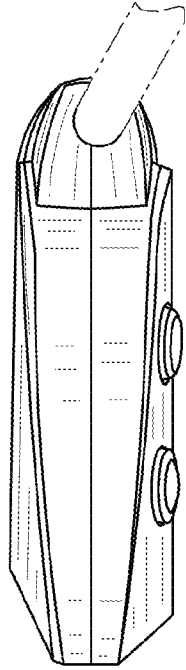


FIG. 4

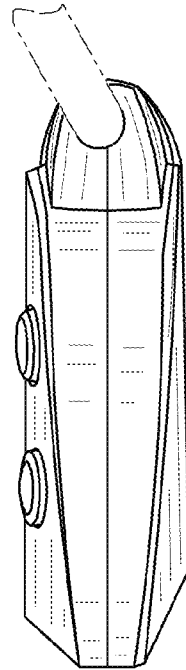


FIG. 5

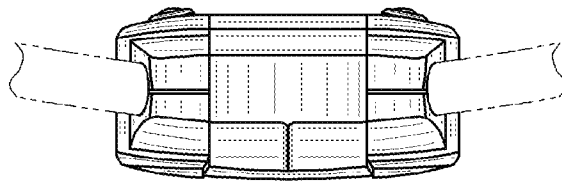


FIG. 6

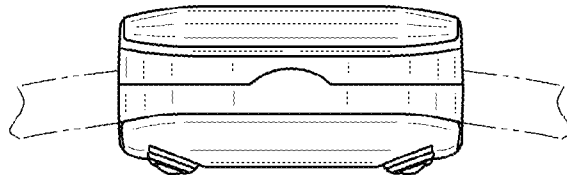


FIG. 7