

(19) World Intellectual Property
Organization
International Bureau



(10) International Publication Number
WO 2016/174643 A9

(43) International Publication Date
03 November 2016 (03.11.2016)

- (51) International Patent Classification:
B41J 2/175 (2006.01) *B31B 1/88* (2006.01)
- (21) International Application Number:
PCT/IB2016/052473
- (22) International Filing Date:
02 May 2016 (02.05.2016)
- (25) Filing Language: Italian
- (26) Publication Language: English
- (30) Priority Data:
102015000013616 30 April 2015 (30.04.2015) IT
- (71) Applicant: PANOTEC S.R.L. [IT/IT]; Via G. Polese, 2,
31010 Cimadolmo (TV) (IT).
- (72) Inventor: CAPOIA, Giuseppe; Via G. Polese, 2, 31010
Cimadolmo (TV) (IT).
- (74) Agent: MAROSCIA, Antonio; Maroscia & Associati Srl,
Piazza del Castello, 26, 36100 Vicenza (VI) (IT).
- (81) Designated States (unless otherwise indicated, for every
kind of national protection available): AE, AG, AL, AM,
AO, AT, AU, AZ, BA, BB, BG, BH, BN, BR, BW, BY, BZ,
CA, CH, CL, CN, CO, CR, CU, CZ, DE, DK, DM, DO, DZ,
EC, EE, EG, ES, FI, GB, GD, GE, GH, GM, GT, HN, HR,
HU, ID, IL, IN, IR, IS, JP, KE, KG, KN, KP, KR, KZ, LA,
LC, LK, LR, LS, LU, LY, MA, MD, ME, MG, MK, MN,
MW, MX, MY, MZ, NA, NG, NI, NO, NZ, OM, PA, PE,
PG, PH, PL, PT, QA, RO, RS, RU, RW, SA, SC, SD, SE,

(54) Title: INK-JET PRINTING DEVICE FOR COSTUMIZED PRINTING OF IMAGES ON SHEET-LIKE MATERIALS AND MACHINE WITH SUCH DEVICE

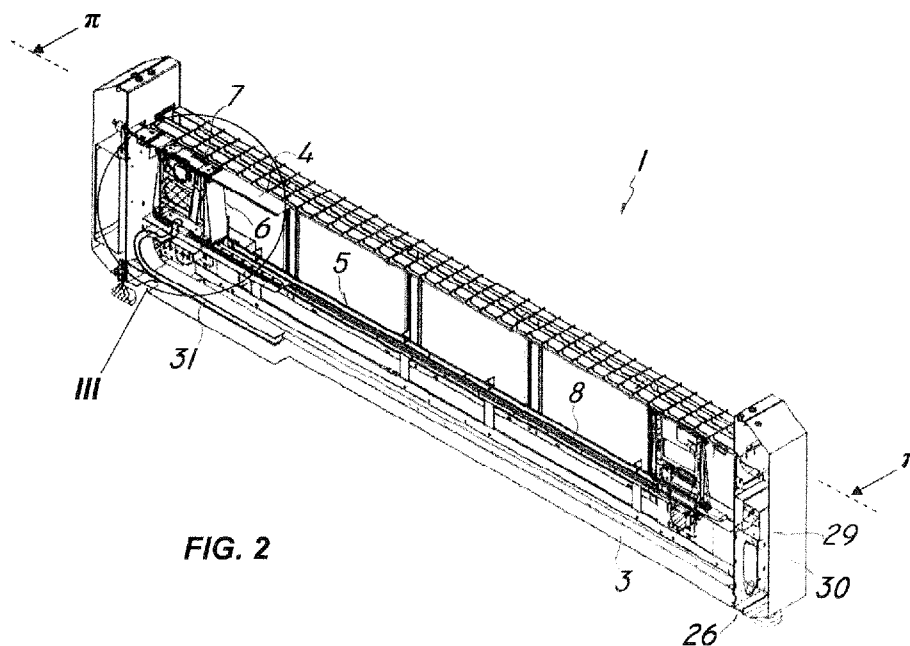


FIG. 2

(57) Abstract: An ink jet printing device (1) for customized printing of images on one or more faces (F, F') of a sheet material (M), such as corrugated cardboard or the like, for producing packages, comprising a frame (3) with a top surface (4) defining a substantially horizontal running plane (τ) for a face (F, F') of the material (M) to be printed, with guides (8) transverse to the running direction (L) of the material (M), at least one printing unit (6) that can move along the guides (8) and has at least one printing head (7) therein, supply means (26) for supplying the head (7) with at least one printing ink (I), and movement means (21) for driving the printing unit (6) along the guides (8). The printing head (7) faces the running plane (τ) for depositing the ink (I) on one face (F, F') of the material (M) to be printed, and the supply means (26) comprise at least one secondary reservoir (27), which is mounted in the printing unit (6) and is in fluid connection with the head (7), and at least one main reservoir (28) in fluid connection with the secondary reservoir (27) for refilling the latter and maintain the level (w) of ink (I) above a predetermined threshold value (w_s) and ensure supply to the printing head (7).



WO 2016/174643 A9

SG, SK, SL, SM, ST, SV, SY, TH, TJ, TM, TN, TR, TT, TZ,
UA, UG, US, UZ, VC, VN, ZA, ZM, ZW.

- (84) Designated States** (*unless otherwise indicated, for every kind of regional protection available*): ARIPO (BW, GH, GM, KE, LR, LS, MW, MZ, NA, RW, SD, SL, ST, SZ, TZ, UG, ZM, ZW), Eurasian (AM, AZ, BY, KG, KZ, RU, TJ, TM), European (AL, AT, BE, BG, CH, CY, CZ, DE, DK, EE, ES, FI, FR, GB, GR, HR, HU, IE, IS, IT, LT, LU, LV, MC, MK, MT, NL, NO, PL, PT, RO, RS, SE, SI, SK, SM, TR), OAPI (BF, BJ, CF, CG, CI, CM, GA, GN, GQ, GW, KM, ML, MR, NE, SN, TD, TG).

Published:

— *with international search report (Art. 21(3))*

- (88) Date of publication of the revised international search report:**

07 December 2017 (07.12.2017)

- (15) Information about Correction:**

see Notice of 07 December 2017 (07.12.2017)

INTERNATIONAL SEARCH REPORT

International application No
PCT/IB2016/052473

A. CLASSIFICATION OF SUBJECT MATTER
INV. B41J2/175 B31B1/88
ADD.

According to International Patent Classification (IPC) or to both national classification and IPC

B. FIELDS SEARCHED

Minimum documentation searched (classification system followed by classification symbols)
B41J B31B

Documentation searched other than minimum documentation to the extent that such documents are included in the fields searched

Electronic data base consulted during the international search (name of data base and, where practicable, search terms used)
EPO-Internal, WPI Data

C. DOCUMENTS CONSIDERED TO BE RELEVANT

Category*	Citation of document, with indication, where appropriate, of the relevant passages	Relevant to claim No.
4 Y	US 2008/002011 A1 (MIZUTANI KOZO [JP] ET AL) 3 January 2008 (2008-01-03) paragraphs [0072], [0076], [0095], [0096]; figure 5	1-14
6 Y	EP 2 529 935 A2 (MIMAKI ENG KK [JP]) 5 December 2012 (2012-12-05) figures 1, 3, 5, 8-11	1-14
7 A	EP 1 331 096 A2 (CANON KK [JP]) 30 July 2003 (2003-07-30) figures 30-36	3,10
6 A	US 2004/135829 A1 (YOSHIDA MASAHIKO [JP]) 15 July 2004 (2004-07-15) figure 11	5,7
	-/--	

Further documents are listed in the continuation of Box C.

See patent family annex.

* Special categories of cited documents :

"A" document defining the general state of the art which is not considered to be of particular relevance

"E" earlier application or patent but published on or after the international filing date

"L" document which may throw doubts on priority claim(s) or which is cited to establish the publication date of another citation or other special reason (as specified)

"O" document referring to an oral disclosure, use, exhibition or other means

"P" document published prior to the international filing date but later than the priority date claimed

"T" later document published after the international filing date or priority date and not in conflict with the application but cited to understand the principle or theory underlying the invention

"X" document of particular relevance; the claimed invention cannot be considered novel or cannot be considered to involve an inventive step when the document is taken alone

"Y" document of particular relevance; the claimed invention cannot be considered to involve an inventive step when the document is combined with one or more other such documents, such combination being obvious to a person skilled in the art

"&" document member of the same patent family

Date of the actual completion of the international search

9 October 2017

Date of mailing of the international search report

24 OCT 2017

Name and mailing address of the ISA/

European Patent Office, P.B. 5818 Patentlaan 2
NL - 2280 HV Rijswijk
Tel. (+31-70) 340-2040,
Fax: (+31-70) 340-3016

Authorized officer

Joosting, Thetmar

INTERNATIONAL SEARCH REPORT

International application No

PCT/IB2016/052473

C(Continuation). DOCUMENTS CONSIDERED TO BE RELEVANT

Category*	Citation of document, with indication, where appropriate, of the relevant passages	Relevant to claim No.
5	A	1-14
3	EP 1 442 886 A1 (FUJI PHOTO FILM CO LTD [JP]) 4 August 2004 (2004-08-04) paragraphs [0178], [0179], [0215] -----	

INTERNATIONAL SEARCH REPORT

Information on patent family members

International application No

PCT/IB2016/052473

Patent document cited in search report	Publication date	Patent family member(s)	Publication date	
US 2008002011	A1	03-01-2008	AU 2007201683 A1 EP 1847381 A1 US 2008002011 A1	08-11-2007 24-10-2007 03-01-2008
EP 2529935	A2	05-12-2012	CN 102815091 A EP 2529935 A2 JP 5815992 B2 JP 2012250406 A KR 20120135052 A US 2012306975 A1	12-12-2012 05-12-2012 17-11-2015 20-12-2012 12-12-2012 06-12-2012
EP 1331096	A2	30-07-2003	AT 285900 T CN 1433889 A DE 60300238 D1 DE 60300238 T2 EP 1331096 A2 JP 3667283 B2 JP 2003211704 A KR 20030064340 A US 2003234844 A1	15-01-2005 06-08-2003 03-02-2005 22-12-2005 30-07-2003 06-07-2005 29-07-2003 31-07-2003 25-12-2003
US 2004135829	A1	15-07-2004	JP 4182720 B2 JP 2004136497 A US 2004135829 A1	19-11-2008 13-05-2004 15-07-2004
EP 1442886	A1	04-08-2004	AT 460284 T CN 1519113 A EP 1442886 A1 US 2004183860 A1	15-03-2010 11-08-2004 04-08-2004 23-09-2004