



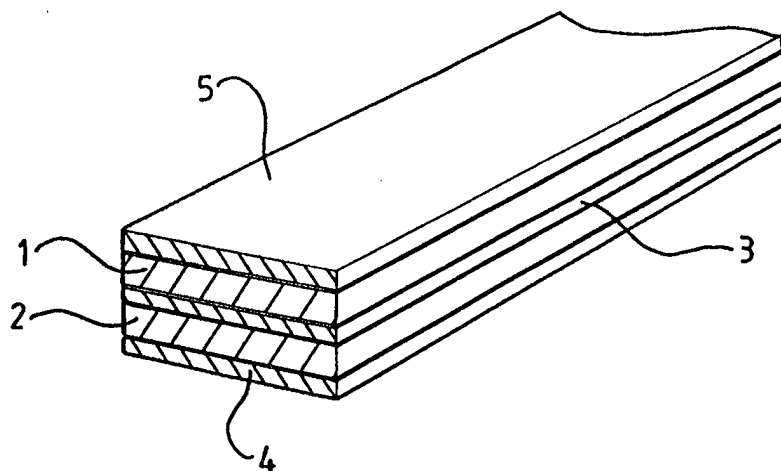
INTERNATIONAL APPLICATION PUBLISHED UNDER THE PATENT COOPERATION TREATY (PCT)

<p>(51) International Patent Classification⁶ : H02G 5/00</p>	<p>A1</p>	<p>(11) International Publication Number: WO 98/16982</p> <p>(43) International Publication Date: 23 April 1998 (23.04.98)</p>
<p>(21) International Application Number: PCT/GB97/02795</p> <p>(22) International Filing Date: 10 October 1997 (10.10.97)</p> <p>(30) Priority Data: 9621352.5 11 October 1996 (11.10.96) GB</p> <p>(71) Applicant (for all designated States except US): TUNWELL TECHNOLOGY LTD. [GB/GB]; 31 Commercial Road, London N18 1TB (GB).</p> <p>(72) Inventor; and (75) Inventor/Applicant (for US only): RIMMER, Philip, John [GB/GB]; 60 Endlebury Road, Chingford, London E4 6QG (GB).</p> <p>(74) Agent: FRANKLAND, Nigel, H.; Forrester Ketley & Co., Forrester House, 52 Bounds Green Road, London N11 2EY (GB).</p>		<p>(81) Designated States: BR, CA, CZ, JP, KR, US, European patent (AT, BE, CH, DE, DK, ES, FI, FR, GB, GR, IE, IT, LU, MC, NL, PT, SE).</p> <p>Published <i>With international search report. Before the expiration of the time limit for amending the claims and to be republished in the event of the receipt of amendments.</i></p>

(54) Title: A POWER DISTRIBUTION LINE

(57) Abstract

A distribution line for distributing high frequency alternating electric current comprise a first substantially flat conductor (1) and also a second substantially flat conductor (3), the two conductors being located in spaced parallelism and being separated by an insulator (2), at least one of the conductors (2) being associated with a further element (4) of a material of high relative permeability. A second element (5) of high permeability may be associated with the other conductor (1).



FOR THE PURPOSES OF INFORMATION ONLY

Codes used to identify States party to the PCT on the front pages of pamphlets publishing international applications under the PCT.

AL	Albania	ES	Spain	LS	Lesotho	SI	Slovenia
AM	Armenia	FI	Finland	LT	Lithuania	SK	Slovakia
AT	Austria	FR	France	LU	Luxembourg	SN	Senegal
AU	Australia	GA	Gabon	LV	Latvia	SZ	Swaziland
AZ	Azerbaijan	GB	United Kingdom	MC	Monaco	TD	Chad
BA	Bosnia and Herzegovina	GE	Georgia	MD	Republic of Moldova	TG	Togo
BB	Barbados	GH	Ghana	MG	Madagascar	TJ	Tajikistan
BE	Belgium	GN	Guinea	MK	The former Yugoslav Republic of Macedonia	TM	Turkmenistan
BF	Burkina Faso	GR	Greece	ML	Mali	TR	Turkey
BG	Bulgaria	HU	Hungary	MN	Mongolia	TT	Trinidad and Tobago
BJ	Benin	IE	Ireland	MR	Mauritania	UA	Ukraine
BR	Brazil	IL	Israel	MW	Malawi	UG	Uganda
BY	Belarus	IS	Iceland	MX	Mexico	US	United States of America
CA	Canada	IT	Italy	NE	Niger	UZ	Uzbekistan
CF	Central African Republic	JP	Japan	NL	Netherlands	VN	Viet Nam
CG	Congo	KE	Kenya	NO	Norway	YU	Yugoslavia
CH	Switzerland	KG	Kyrgyzstan	NZ	New Zealand	ZW	Zimbabwe
CI	Côte d'Ivoire	KP	Democratic People's Republic of Korea	PL	Poland		
CM	Cameroon	KR	Republic of Korea	PT	Portugal		
CN	China	KZ	Kazakstan	RO	Romania		
CU	Cuba	LC	Saint Lucia	RU	Russian Federation		
CZ	Czech Republic	LI	Liechtenstein	SD	Sudan		
DE	Germany	LK	Sri Lanka	SE	Sweden		
DK	Denmark	LR	Liberia	SG	Singapore		
EE	Estonia						

"A POWER DISTRIBUTION LINE"

THE PRESENT INVENTION relates to an electric power distribution line and, more particularly, relates to a power distribution line suitable for distributing a high frequency alternating current electric power supply.

It has been found desirable to power a number of devices, which may be at spaced locations within a specific locality or area, from a single high frequency alternating current power supply. Such a system possesses various advantages including the advantage that one power supply can power many devices, thus reducing cost, and the power supply itself may be sited away from the particular devices which are powered by the electricity. This avoids the need for bulky power supplies to be located at the point of use.

Further advantages are that one power supply can power many devices which have different voltage and/or current requirements, by using different coupling transformers between the power distribution line and the various devices which are supplied with power. Other advantages also exist.

In a relatively low voltage alternating current power distribution system which operates at a voltage of up to 100 volts or even up to 1 kv, with a frequency of between 20 kHz and 2 MHz, a major problem that is experienced is the broadcast interference that derives from the "H" field or magnetic field that is generated as a

-2-

result of the relatively high level of current in the system.

It is understood that the total value of the flux of the H field produced by a sinusoidal alternating current in a circuit depends upon the total area created by the circuit loop. The larger the loop the greater the total flux.

It has been proposed to distribute high frequency power using different types of power distribution line.

It has been proposed to use a wire pair, where the wires are kept parallel to and adjacent to each other by a common insulating sheath. This minimises the loop area defined between the wires and thus minimises the flux. Whilst this is a cheap expedient, with only a medium flux, there is a very high local field. A twisted wire pair, in which two separate insulated wires are kept adjacent each other by twisting one wire around the other, is also very cheap and has the advantage of a low distant field, since the effectively "rotating" field cancels at a distance. However, a very high local field is still experienced.

More expensive prior proposed distribution lines include screened wires where, for example, a twisted pair is provided with a magnetic foil screen wrapping, or a co-axial cable. These expedients are more expensive, but may be more difficult to establish electrical connections.

The present invention seeks to provide an improved power distribution line.

According to this invention there is provided a distribution line for distributing high frequency

-3-

alternating electric current which comprises a first substantially flat conductor and a second substantially flat conductor, the two conductors being located in spaced parallelism and being separated by an insulator, at least one of the conductors being associated with a further element formed of a material of high relative permeability.

Preferably a second element of high permeability is provided associated with the other conductor.

In one embodiment the or each element of high permeability is connected directly to the, or the respective, conductor.

Alternatively an insulator is located between the or each element of high permeability and the associated conductor.

Preferably the or each element of high relative permeability extends laterally beyond the associated flat conductor.

Conveniently each conductor is formed of copper or a copper alloy.

Advantageously the or each element of high permeability is formed of a amorphous or nano-crystalline metal.

Preferably the metal forming the high permeability element or elements is steel or a cobalt/steel alloy.

Conveniently the or each element of high permeability has a relative permeability of the order of 10^5 .

-4-

Preferably the or each element formed of a material of high relative permeability is a foil.

Conveniently the or each first conductor comprises a core and, on each side of the core, a plurality of portions of the conductor extending in parallelism with the core.

The distribution line may be provided with an outer insulating sleeve.

The distribution line may be associated with a clip, the clip having two arms, the arms being in electrical contact, respectively, with the two conductors.

The invention also relates to a method of making a component for a distribution line, as described above, comprising the steps of passing a copper tape around a cooled rotating drum and spraying on to the copper tape a material, which, when cooled in contact with the drum, forms a foil of material of high permeability.

In order that the invention may be more readily understood, and so that further features thereof may be appreciated, the invention will now be described, by way of example, with reference to the accompanying drawings in which

FIGURE 1 is a view of a power transmission line in accordance with the invention, with parts thereof cut away for the sake of clarity of illustration,

FIGURE 2 is a view corresponding to Figure 1 illustrating a second embodiment of the invention,

-5-

FIGURE 3 is a view corresponding to Figures 1 and 2 illustrating a third embodiment of the invention,

FIGURE 4 is an illustration of a drum utilised in producing a component of the embodiment of Figure 1, and

FIGURE 5 is a view of the component produced using the drum.

Referring initially to Figure 1 of the accompanying drawings, a power transmission line is illustrated which is suitable for use in transmitting power of a voltage up to for example, 100 volts or even up to 1 kv, (typically at a voltage of 84 volts) and at an operating frequency of between 20 kHz to 2 MHz, preferably in the frequency range of 20-200 kHz, most preferably at a frequency of 60 kHz. The power transmission line comprises two principal conductors 1,2. Each of the conductors is of substantially flat or rectangular cross-section, with two opposed parallel flat faces. The conductors may be formed of copper or copper alloy and may have a thickness of between 0.025 and 0.25 mm, and a width of up to 30 mm, depending upon the current to be carried.

The two conductors are separated by a sheet of insulating material 3. The insulating material may be an appropriate plastic such as a polyester, polypropylene or polyphenylene sulphide. The thickness of the insulating sheet 3 depends upon the voltage to be carried by the conductors 1 and 2 and may typically be of the order of 0.1 millimetres.

It is to be observed that the insulating sheet 3, in the embodiment illustrated in Figure 1, has such a width that it extends beyond the conductors 1 and 2. Associated

-6-

with the conductor 2 is a foil 4 which is made of a material having a high relative permeability. Typically the relative permeability of the foil may be of the order of 10^5 . The foil 4 is secured to the face of the conductive element 2 which is remote from the insulating layer 3. The foil 4 has a width which is greater than the width of the conductive element 2, so that parts of the foil project beyond the conductive element 2 on each side thereof.

The foil 4 may be formed from an amorphous or nanocrystalline metal, such as steel or a cobalt/steel alloy. Such a metal has a high resistivity.

Typically, a foil of high permeability of this type may be created by quenching cooling molten metal at a very high speed, for example, at a speed of 10^6 degrees celsius per second. The molten metal may be sprayed to a cooled, rapidly rotating drum. The metal cools on the drum and may be removed from the drum in the form of a strip.

It has been found that the foil 4 of high relative permeability constitutes a low reluctance path for magnetic field and, when a distribution line, as illustrated in Figure 1 is utilised, on the side of the transmission line where the foil is provided there is a 100 fold reduction in the flux that causes the radio frequency interference, (as compared with an equivalent transmission line without a foil of relatively high permeability) and on the other side of the transmission line there is a ten fold reduction in the flux.

A transmission line as shown in Figure 1, therefore, can be utilised with substantial benefit. If the transmission line is utilised, for example, within a motor vehicle, the side of the transmission line carrying

-7-

the foil 4 will be located adjacent the body of the motor vehicle which may have elements formed of plastic, aluminium or mild steel. A material such as mild steel is very "lossy" and if the transmission line is mounted in position so that the foil of high relative permeability is actually located between the conductors 1 and 2 and the mild steel components of the motor vehicle it is found that eddy-current losses are minimised.

The embodiment of Figure 1 may be altered by providing a second foil corresponding to the foil 4, the second foil being secured to the exposed face of conductor 1.

Figure 2 illustrates a second embodiment of the invention in which the conductors 1 and 2 are as described above, with the insulating layer 3 being of the same width as that of the conductors 1 and 2. In this embodiment, a foil 4 of high permeability material is provided in contact with the conductor 2, but has the same width as the width of the conductor 2. A second foil 5, of high permeability material, which corresponds directly with foil 4, is connected to the conductor 1.

It has been found that by providing a foil of high relative permeability adjacent each of the conductors 1 and 2, the flux that generates the radio frequency interference signal is reduced, on each side of the distribution line, of a factor of approximately 1,000. In the embodiment of Figure 2 the foils have the same width as the width of the conductors. This provides a transmission line which is easy to handle, and which, if desired, may be easily provided with an insulating sheath. However, because the foils 4 and 5 do not extend beyond the conductors, the shielding effect provided by the foils 4 and 5 is not as

-8-

great as it would be if the foils 4 and 5 were wider than the conductors 1,2.

Figure 3 illustrates a further embodiment of the invention. In this embodiment of the invention, the copper conductor 1 is provided with a central core region 10 which extends axially of the transmission line and, on either side thereof, two further spaced apart regions 11,12, which extend in parallelism with the core region 10. Similarly the conductor 3 comprises a central core region 13 and, on either side, two further spaced apart regions 14,15. The conductors 1 and 2 are separated by an insulating layer 3. The conductor 1 is separated from a foil 5 of high permeability by a thin insulating layer 16. Equally, the conductor 2 is separated from the foil 4 by means of a thin insulating layer 17. The spaces between the various parts of each conductor 1 and 2 may be filled with an adhesive such as an acrylic adhesive.

The entire arrangement, as so far described, is covered by an outer sleeve 18 of an appropriate insulating material, such as a plastic material.

It is to be appreciated that in the embodiment of Figure 3, the layers of foil of high permeability material are separated from the conductive layers with which they are associated by means of a respective thin layer of an insulating material.

It is to be appreciated that in the embodiment of Figure 3, each conductive layer is formed of a central core and further components which extend parallel with that core but spaced therefrom. The provision of an arrangement of this type has been found to reduce eddy-currents which might otherwise occur at the edge of a relatively large

-9-

flat conductive core. The provision of an adhesive between the various components of the conductive element help ensure that the various layers that form the laminate that constitutes the distribution line illustrated in Figure 3, remain in a predetermined position relative to each other.

It has been found that distribution lines of the type described above provide very low inductance, low resistance and high capacitance. The capacitance provided by the distribution line can be incorporated into the circuit of the power generator which is utilised as a supply power through the distribution line, for example as part of a resonating circuit.

It is preferred to use an appropriate insulating material for the insulating sheet 3 between the conductors 1 and 2 so that the capacitance is of a high quality, that is to say with a low power loss. The polyester material mentioned above provides good characteristics and is suitable for use at a low to medium temperature. Polyphenylene provides better characteristics, but is only suitable for use at low temperatures. Polyethylene sulphide provides good properties, and is suitable for use at high to medium temperatures.

Figure 4 illustrates a method of forming a component that forms part of the embodiment, for example, of Figure 1. Referring to Figure 4, a drum 20, made of an appropriate material, for example copper, is provided which is rotated swiftly. Means are provided to cool the interior of the drum. In the embodiment illustrated, a groove 21 is provided in the periphery of the drum. A tape 22 of copper is provided which is of the same cross-section as of the groove 21 and is fed through the groove.

-10-

A spray 23 is provided adapted to spray molten steel or steel/cobalt alloy on to the periphery of the drum as it rotates. The spray cools very swiftly, since the drum surface is cooled, and as the tape 22 leaves the drum it carries with it a foil 24 of high permeability material as shown in Figure 5. The foil has a greater width than the width of the copper tape.

Figure 5 illustrates the cross-section of the copper tape 22 and the foil 24. It can be seen that the combination may be used as the conductor 2 and foil 4 of the embodiment of Figure 1.

Figure 6 illustrates the transmission line of Figure 2. A clip 25 is provided which has two spaced apart blades 26,27 which engages the opposed faces of the transmission line. Although the high permeability foils 4 and 5 are amorphous and thus have a high resistance, nevertheless, since the blades 26,27 of the clip 25 engage a substantial area of the foils 4 and 5, the arms of the clip may provide an appropriate power-take-off. The arms of the clip may be connected, for example, to a housing 28 which contains an appropriate transformer, a lead 29 extending from the transformer to an item which is to be supplied with electrical power.

It is to be noted that if a transmission line as described above is utilised in such a way that the voltage applied to each conductor, relative to earth, is equal and opposite to the voltage applied to the other conductor, - in other words if the voltage is always a DC voltage of opposite polarities, or an alternating voltage in anti-phase about earth potential, then the electric field generated by the system is extremely small.

-11-

CLAIMS:

1. A distribution line for distributing high frequency alternating electric current which comprises a first substantially flat conductor and a second substantially flat conductor, the two conductors being located in spaced parallelism and being separated by an insulator, at least one of the conductors being associated with a further element formed of a material of high relative permeability.
2. A distribution line according to Claim 1 where a second element of high permeability is provided associated with the other conductor.
3. A distribution line according to Claim 1 or 2 wherein the or each element of high permeability is connected directly to the or the respective conductor.
4. A distribution line according to Claim 1 or Claim 2 wherein an insulator is located between the or each element of high permeability and the associated conductor.
5. A distribution line according to any one of the preceding Claims wherein the or each element of high relative permeability extends laterally beyond the associated flat conductor.
6. A distribution line according to any one of the preceding Claims wherein each conductor is formed of copper or a copper alloy.
7. A distribution line according to any one of the preceding Claims wherein the or each element of high

-12-

permeability is formed of a amorphous or nano-crystalline metal.

8. A distribution line according to Claim 7 wherein the metal forming the high permeability element or elements is steel or a cobalt/steel alloy.

9. A distribution line according to any one of the preceding Claims wherein the or each element of high permeability has a relative permeability of the order of 10^5 .

10. A distribution line according to any one of the preceding Claims wherein the or each element formed of a material of high relative permeability is a foil.

11. A distribution line according to any one of the preceding Claims wherein the or each first conductor comprises a core and, on each side of the core, a plurality of portions of the conductor extending in parallelism with the core.

12. A distribution line according to any one of the preceding Claims provided with an outer insulating sleeve.

13. A distribution line according to any one of the preceding Claims associated with a clip, the clip having two arms, the arms being in electrical contact, respectively, with the two conductors.

14. A method of making a component for a distribution line according to any one of the preceding Claims comprising the steps of passing a copper tape around a cooled rotating drum and spraying on to the copper tape a

-13-

material, which when cooled in contact with the drum, forms a foil of material of high permeability.

1 / 2

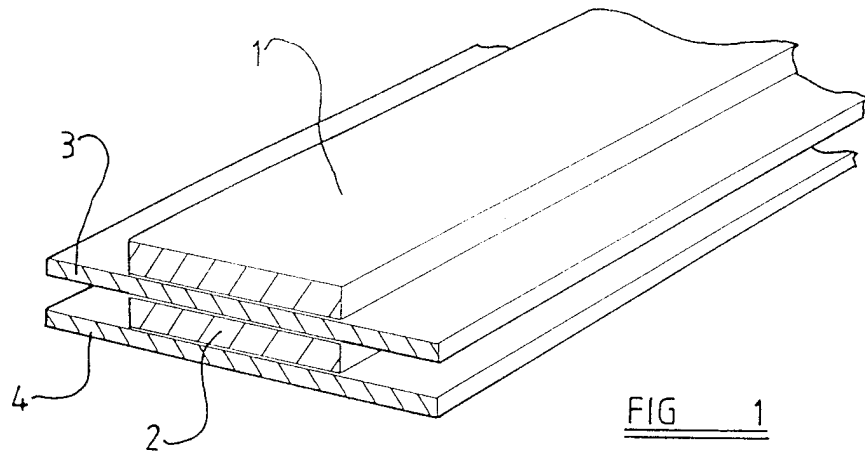


FIG 1

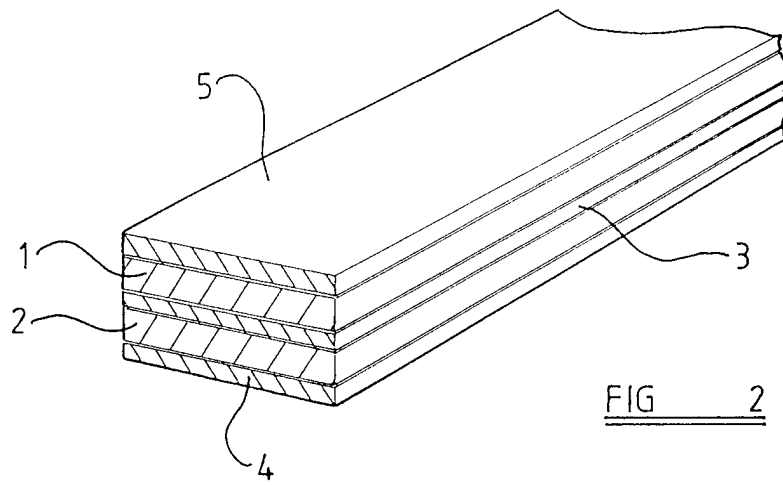


FIG 2

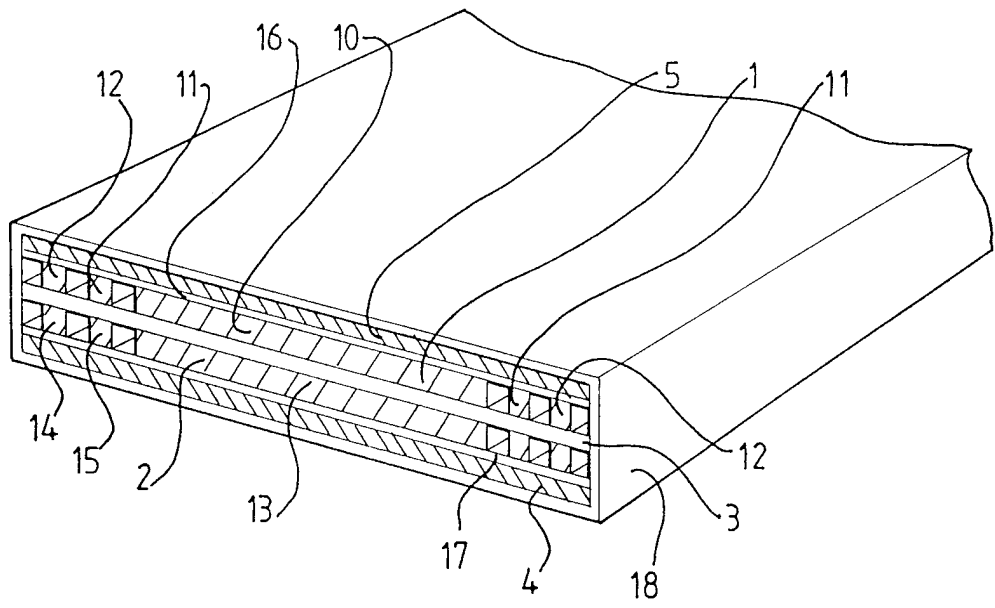


FIG 3

2 / 2

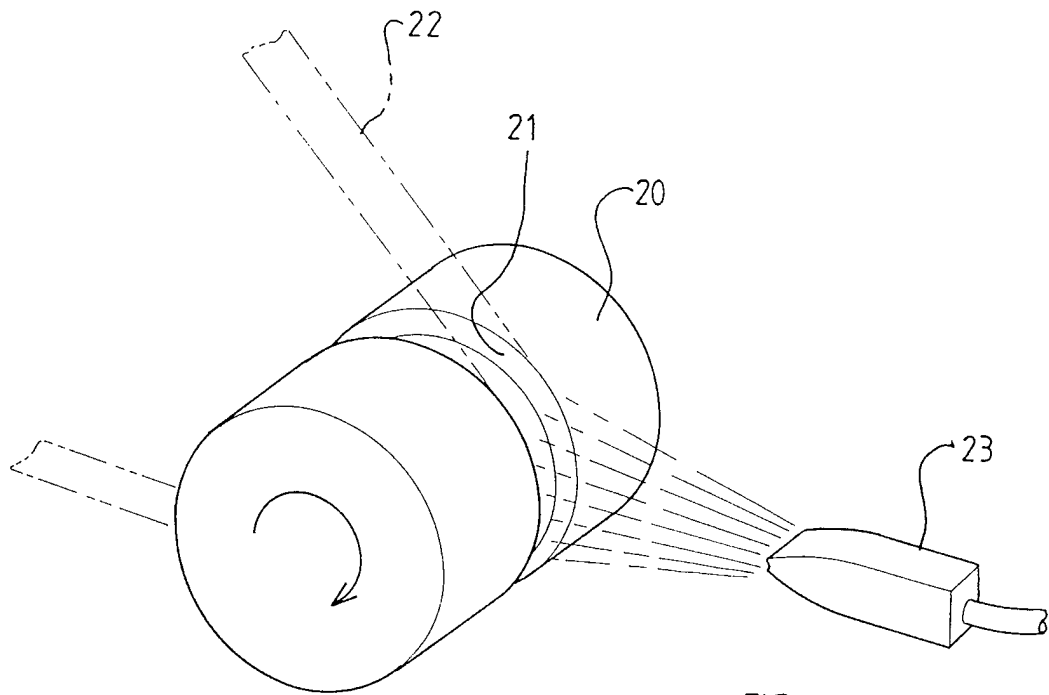


FIG 4

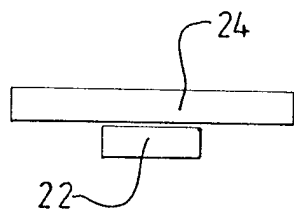


FIG 5

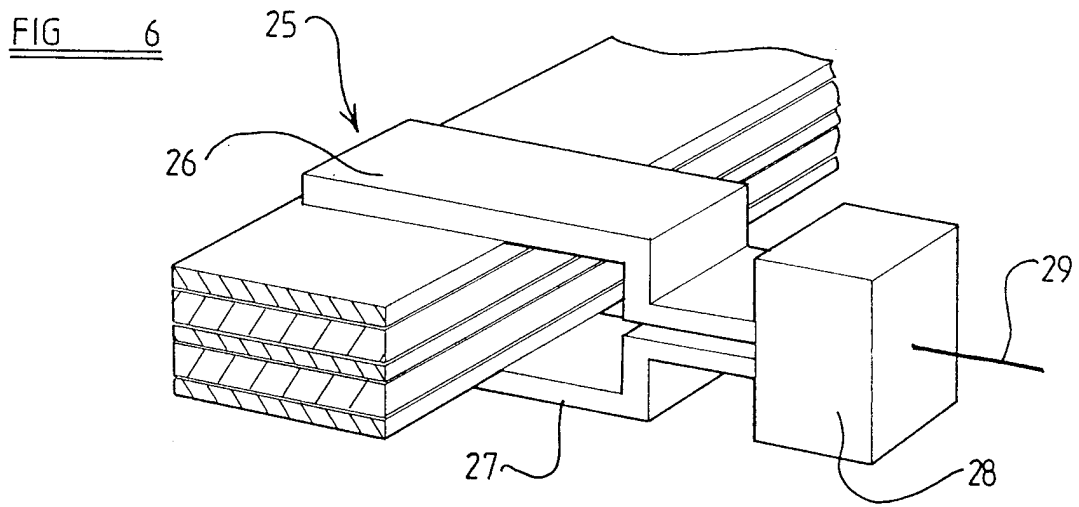


FIG 6

INTERNATIONAL SEARCH REPORT

International Application No

PCT/GB 97/02795

A. CLASSIFICATION OF SUBJECT MATTER

IPC 6 H02G5/00

According to International Patent Classification(IPC) or to both national classification and IPC

B. FIELDS SEARCHED

Minimum documentation searched (classification system followed by classification symbols)

IPC 6 H02G H02M

Documentation searched other than minimum documentation to the extent that such documents are included in the fields searched

Electronic data base consulted during the international search (name of data base and, where practical, search terms used)

C. DOCUMENTS CONSIDERED TO BE RELEVANT

Category	Citation of document, with indication, where appropriate, of the relevant passages	Relevant to claim No.
X	EP 0 407 167 A (DAI-ICHI HIGH FREQUENCY CO.) 9 January 1991 see the whole document ---	1,2
A	E.J.RYMASZEWSKI ET AL.: "D.C. Power Distribution System." IBM TECHNICAL DISCLOSURE BULLETIN, vol. 5, no. 2, July 1962, page 29 XP002053387 see the whole document ---	1
A	PATENT ABSTRACTS OF JAPAN vol. 13, no. 525 (E-850), 22 November 1989 & JP 01 213916 A (MITSUBISHI ELECTRIC CORP.), 28 August 1989, see abstract --- -/--	1

Further documents are listed in the continuation of box C.

Patent family members are listed in annex.

Special categories of cited documents:

- "A" document defining the general state of the art which is not considered to be of particular relevance
- "E" earlier document but published on or after the international filing date
- "L" document which may throw doubts on priority claim(s) or which is cited to establish the publication date of another citation or other special reason (as specified)
- "O" document referring to an oral disclosure, use, exhibition or other means
- "P" document published prior to the international filing date but later than the priority date claimed

- "T" later document published after the international filing date or priority date and not in conflict with the application but cited to understand the principle or theory underlying the invention
- "X" document of particular relevance; the claimed invention cannot be considered novel or cannot be considered to involve an inventive step when the document is taken alone
- "Y" document of particular relevance; the claimed invention cannot be considered to involve an inventive step when the document is combined with one or more other such documents, such combination being obvious to a person skilled in the art.
- "&" document member of the same patent family

Date of the actual completion of the international search

28 January 1998

Date of mailing of the international search report

13/02/1998

Name and mailing address of the ISA

European Patent Office, P.B. 5818 Patentlaan 2
NL - 2280 HV Rijswijk
Tel. (+31-70) 340-2040. Tx. 31 651 epo nl.
Fax: (+31-70) 340-3016

Authorized officer

Lund, M

INTERNATIONAL SEARCH REPORT

International Application No
PCT/GB 97/02795

C.(Continuation) DOCUMENTS CONSIDERED TO BE RELEVANT		
Category	Citation of document, with indication, where appropriate, of the relevant passages	Relevant to claim No.
A	US 5 172 310 A (DAVID DEAM ET AL.) 15 December 1992 see abstract; figures 6-9,12 -----	1

INTERNATIONAL SEARCH REPORT

Information on patent family members

International Application No

PCT/GB 97/02795

Patent document cited in search report	Publication date	Patent family member(s)	Publication date
EP 407167 A	09-01-91	DE 69022899 D	16-11-95
		DE 69022899 T	11-04-96
		US 5068491 A	26-11-91

US 5172310 A	15-12-92	AU 2337892 A	11-02-93
		EP 0593637 A	27-04-94
		JP 7508155 T	07-09-95
		WO 9301648 A	21-01-93
		US 5579217 A	26-11-96
		US 5365424 A	15-11-94
