



US00D577516S

(12) **United States Design Patent**
Morrison

(10) **Patent No.:** **US D577,516 S**

(45) **Date of Patent:** **** Sep. 30, 2008**

(54) **DISPLAY RACK**

(75) Inventor: **Caroline Morrison**, New York, NY (US)

(73) Assignee: **Victoria 's Secret Store Brand Management, Inc.**, Reynoldsburg, OH (US)

(**) Term: **14 Years**

(21) Appl. No.: **29/286,183**

(22) Filed: **Apr. 25, 2007**

(51) **LOC (8) Cl.** **06-04**

(52) **U.S. Cl.** **D6/491**

(58) **Field of Classification Search** D6/491,
D6/493, 494.497, 509, 315-320; 294/19.1,
294/22; D20/30-32; 211/113

See application file for complete search history.

(56) **References Cited**

U.S. PATENT DOCUMENTS

D98,540 S	2/1936	Meyer	
D140,053 S *	1/1945	Kirsch	D6/316
D143,826 S *	2/1946	Kirsch	D6/316
D149,902 S *	6/1948	Petty	D6/316
D203,727 S	2/1966	Treimann	
D205,256 S *	7/1966	Poland	D6/316
D271,927 S	12/1983	Payant	
4,563,373 A	1/1986	Barnett	
D302,213 S	7/1989	Motazedi	
D328,394 S *	8/1992	Strickland	D6/316

5,201,443 A	4/1993	Oswald	
D354,857 S *	1/1995	Hammer	D6/318
5,503,311 A	4/1996	Chen	
D383,666 S	9/1997	Adams	
D414,043 S *	9/1999	Schenck	D6/316
D421,565 S	3/2000	Jones	
6,443,337 B1 *	9/2002	Muehlhauser	223/85

* cited by examiner

Primary Examiner—Caron D. Veynar

Assistant Examiner—Abraham Bahta

(74) *Attorney, Agent, or Firm*—Ward & Olivo

(57) **CLAIM**

The ornamental design for a display rack, as shown and described.

DESCRIPTION

FIG. 1 is a perspective view of a display rack showing my new design;

FIG. 2 is a front view thereof;

FIG. 3 is a back view thereof;

FIG. 4 is a left side view, the right side view being a mirror image thereof;

FIG. 5 is a top view thereof; and,

FIG. 6 is a bottom view thereof;

The broken lines shown in the drawing are for illustrative purposes only and form no part of the claimed design.

1 Claim, 6 Drawing Sheets

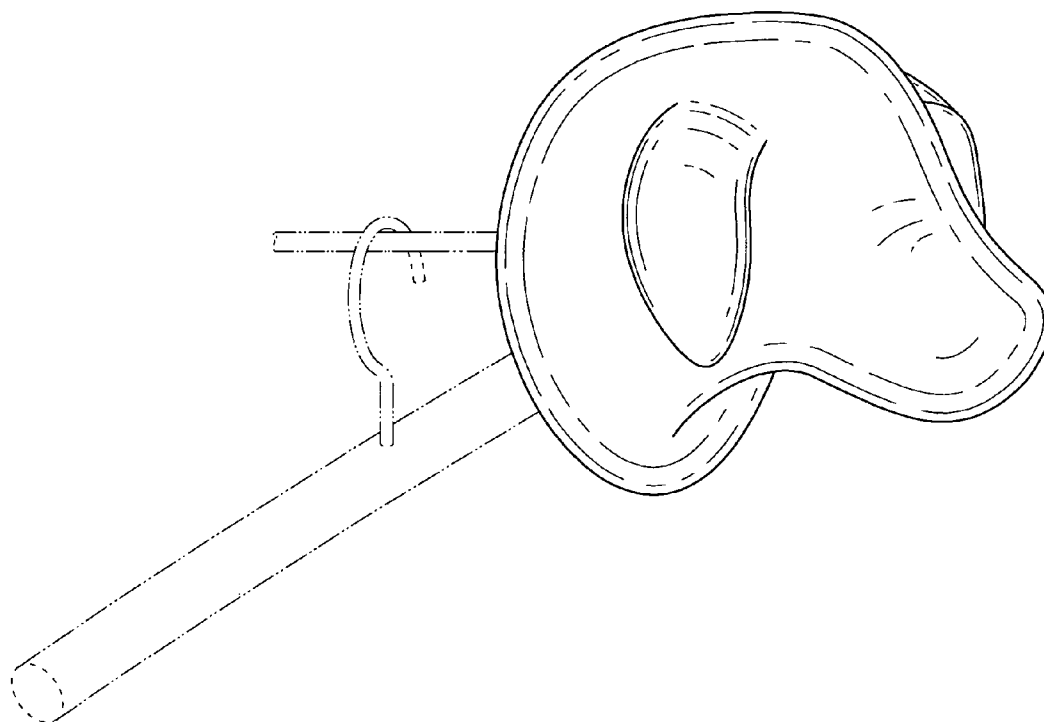


FIG. 1

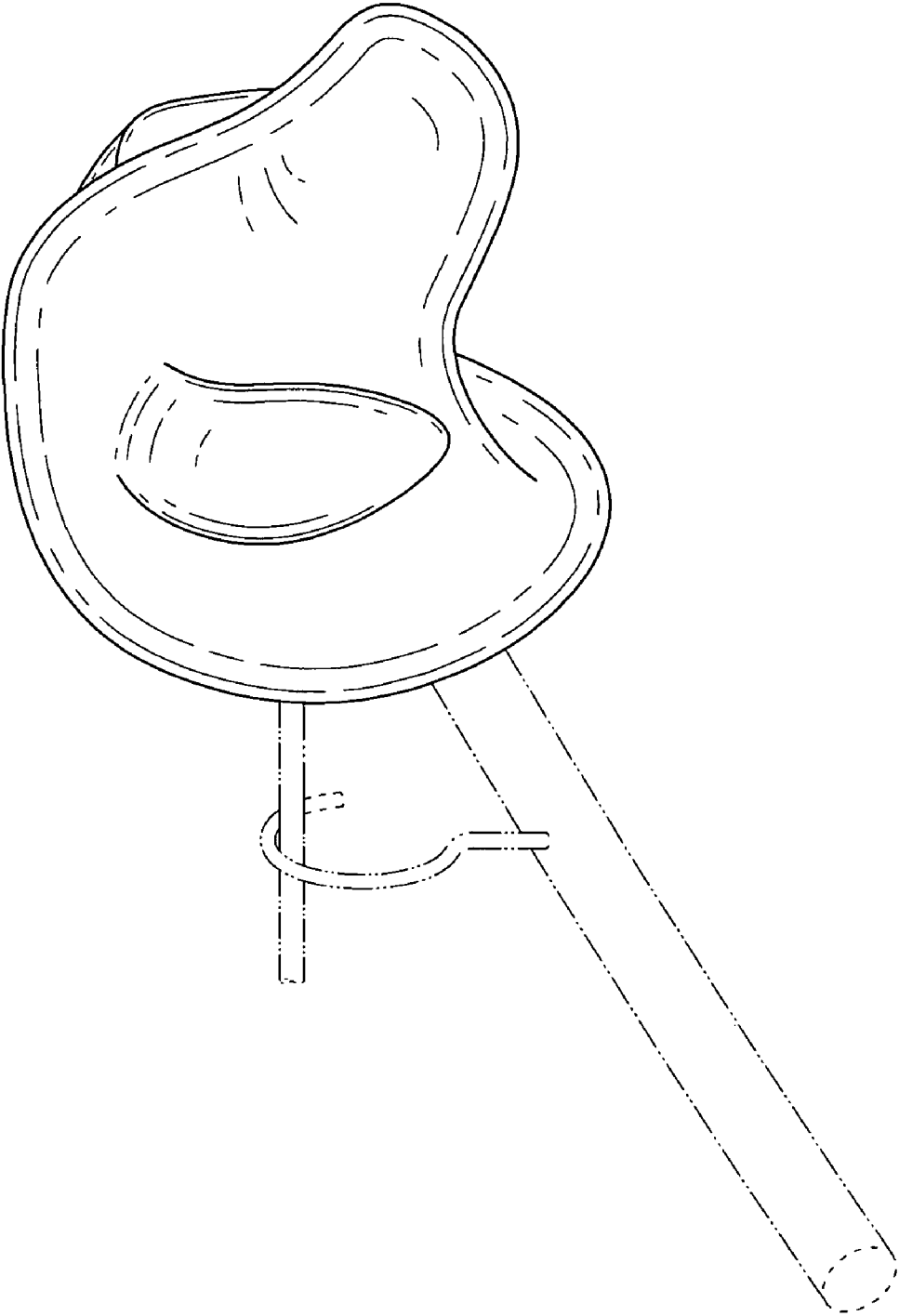


FIG. 2



FIG. 3

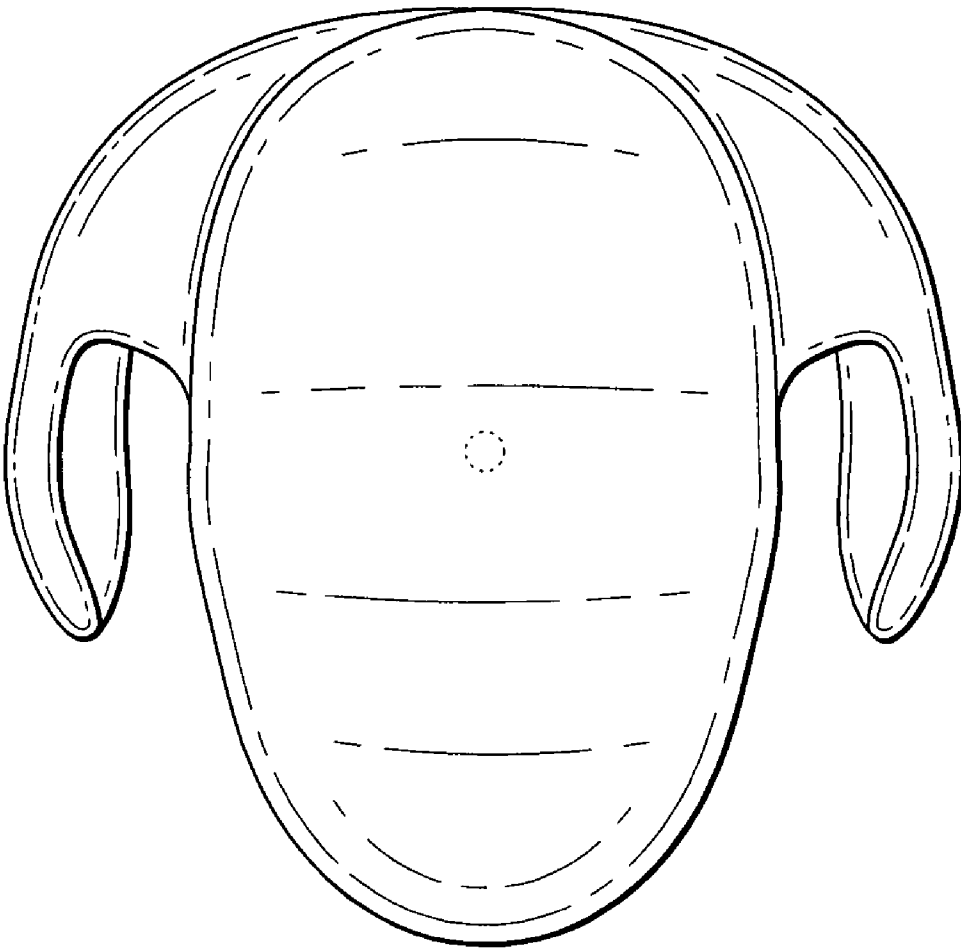


FIG. 4

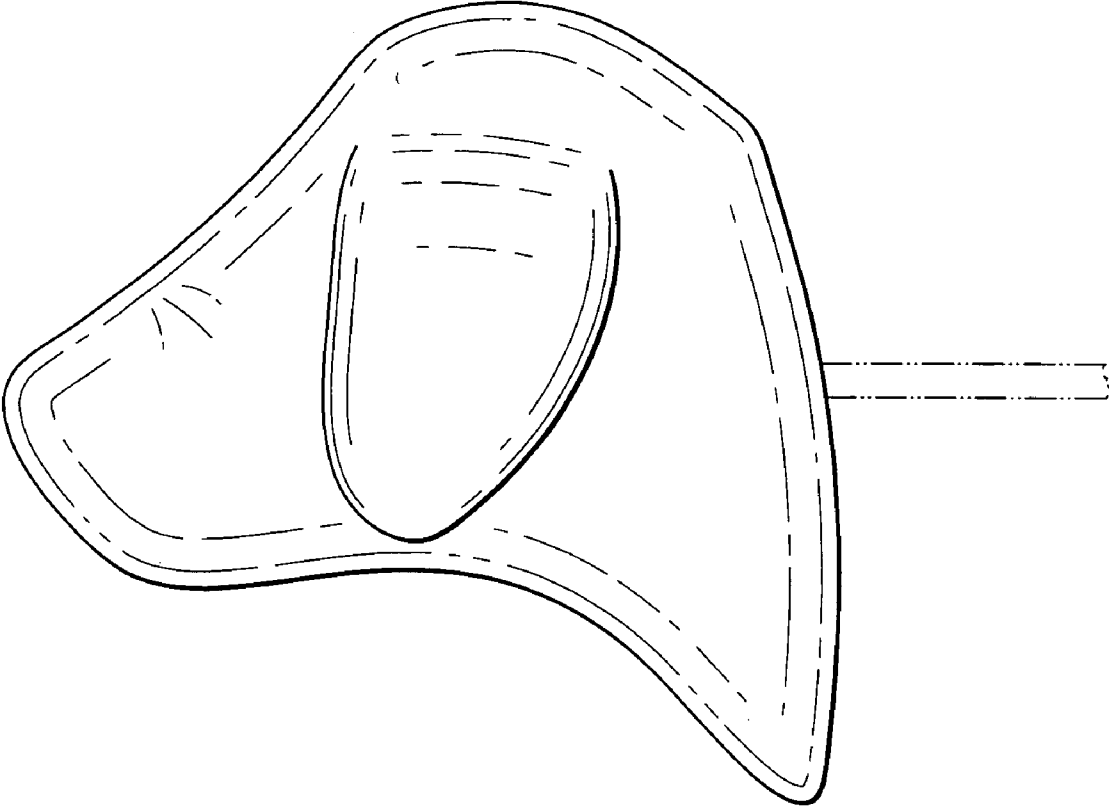


FIG. 5

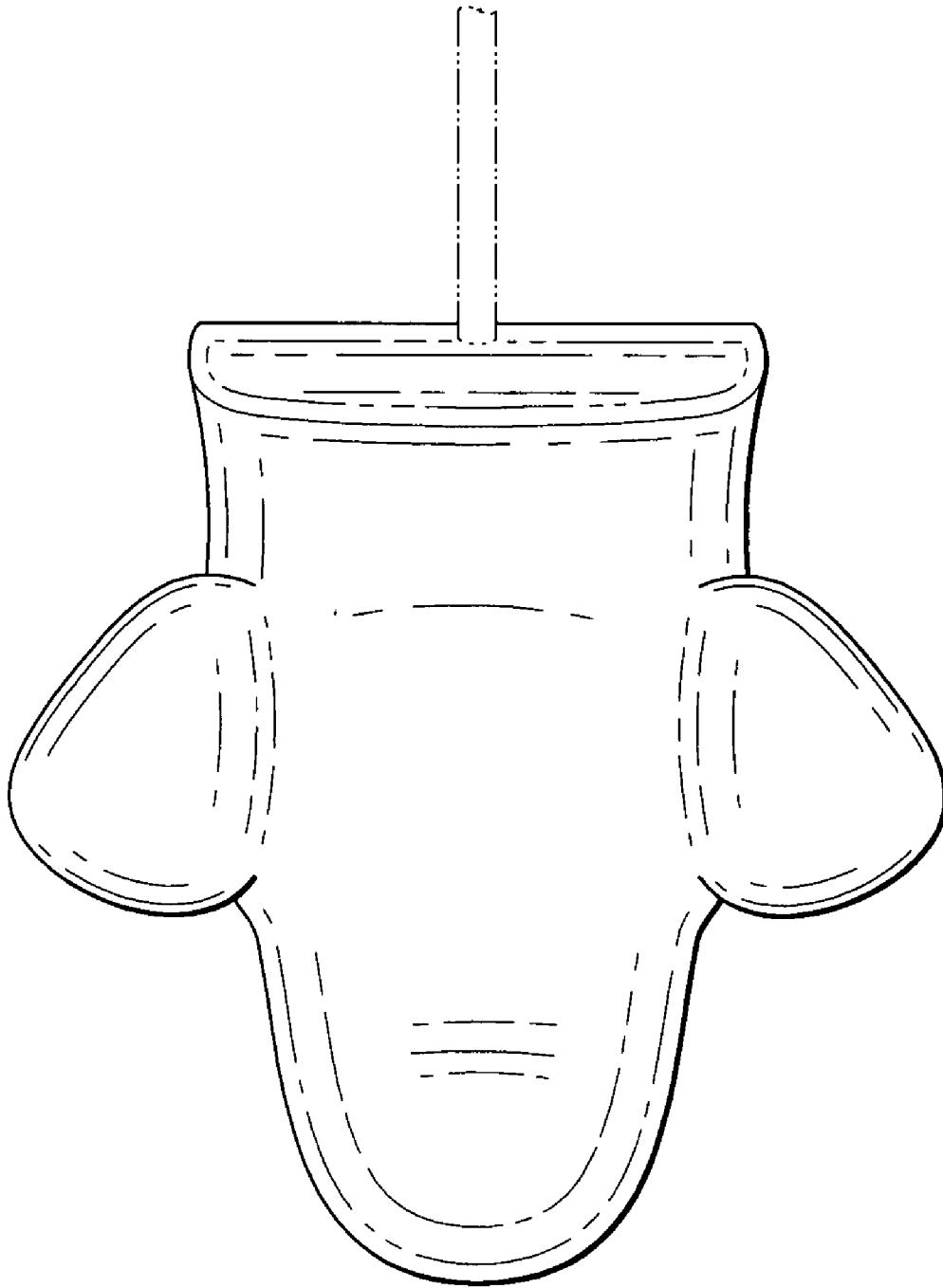


FIG. 6

