



US00D341875S

# United States Patent [19]

[11] Patent Number: **Des. 341,875**

Allen et al.

[45] Date of Patent: **\*\* Nov. 30, 1993**

[54] **COMBINED ELECTRONIC CONTROLLED FAUCET AND LIQUID SOAP DISPENSER**

[75] Inventors: **Charles S. Allen, Kenilworth; John R. Wilson, Naperville; Timothy Ames, River Forest, Ill.**

[73] Assignee: **Sloan Valve Company, Franklin Park, Ill.**

[\*\*] Term: **14 Years**

[21] Appl. No.: **804,167**

[22] Filed: **Dec. 9, 1991**

[52] U.S. Cl. .... **D23/255; D6/542**

[58] Field of Search ..... **D6/542-545; D23/238-243, 255-257; 137/801; 222/52, 63; 251/129.04**

2,446,109	7/1948	Searry	222/63
2,772,116	11/1956	Dobkin	4/628 X
3,327,901	6/1967	Yerkovich	222/52
3,505,692	4/1970	Forbes	222/52 X
3,576,277	4/1971	Blackmon	222/52 X
4,598,726	7/1986	Pepper	4/623 X
4,894,874	1/1990	Wilson	4/623
4,938,384	7/1990	Pilolla et al.	222/52
4,953,236	9/1990	Lee et al.	4/623 X

*Primary Examiner*—James R. Largen  
*Attorney, Agent, or Firm*—Kinzer, Plyer, Dorn, McEachran & Jambor

### [57] CLAIM

The ornamental design for a combined electronic controlled faucet and liquid soap dispenser.

### DESCRIPTION

FIG. 1 is a front perspective view of a combined electronic controlled faucet and liquid soap dispenser showing our new design;

FIG. 2 is a front elevational view thereof;

FIG. 3 is a left side elevational view thereof;

FIG. 4 is a right side elevational view thereof;

FIG. 5 is a top plan view thereof;

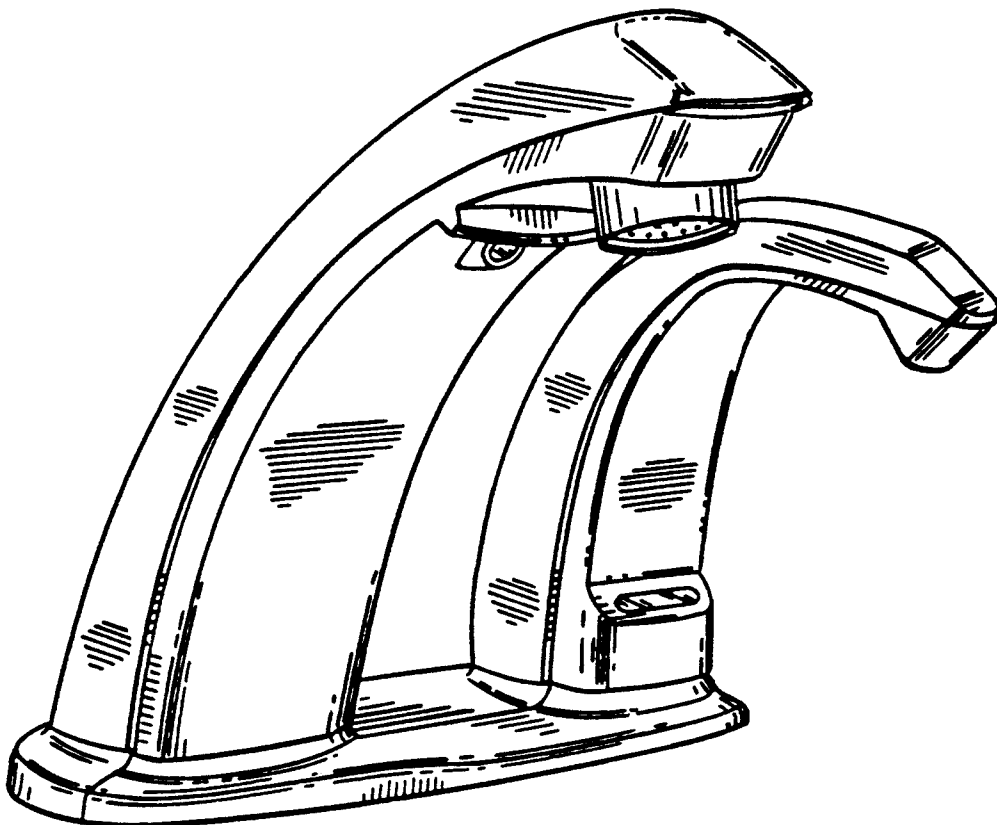
FIG. 6 is a rear elevational view thereof; and,

FIG. 7 is a bottom plan view thereof.

### [56] References Cited

#### U.S. PATENT DOCUMENTS

D. 241,097	8/1976	Morris	D6/542
D. 292,607	11/1987	Wu	D23/238
D. 321,367	11/1991	Dannenberg	D23/238
D. 327,529	6/1992	Dannenberg	D23/238
D. 327,731	7/1992	Kajpust et al.	D23/238
D. 328,782	8/1992	Paterson	D23/238
D. 335,415	5/1993	Brandenburg	D6/542



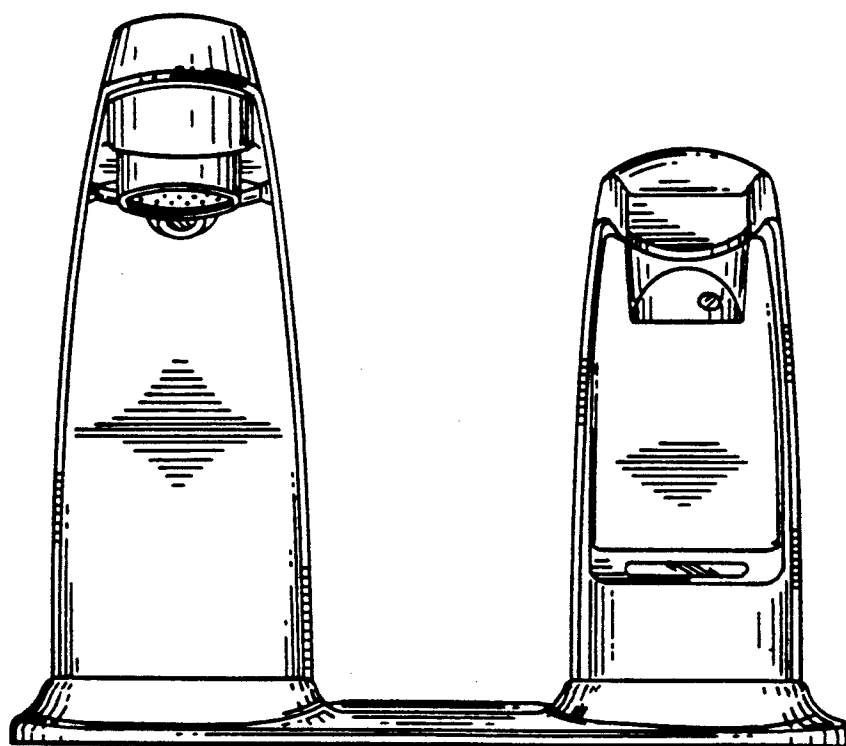
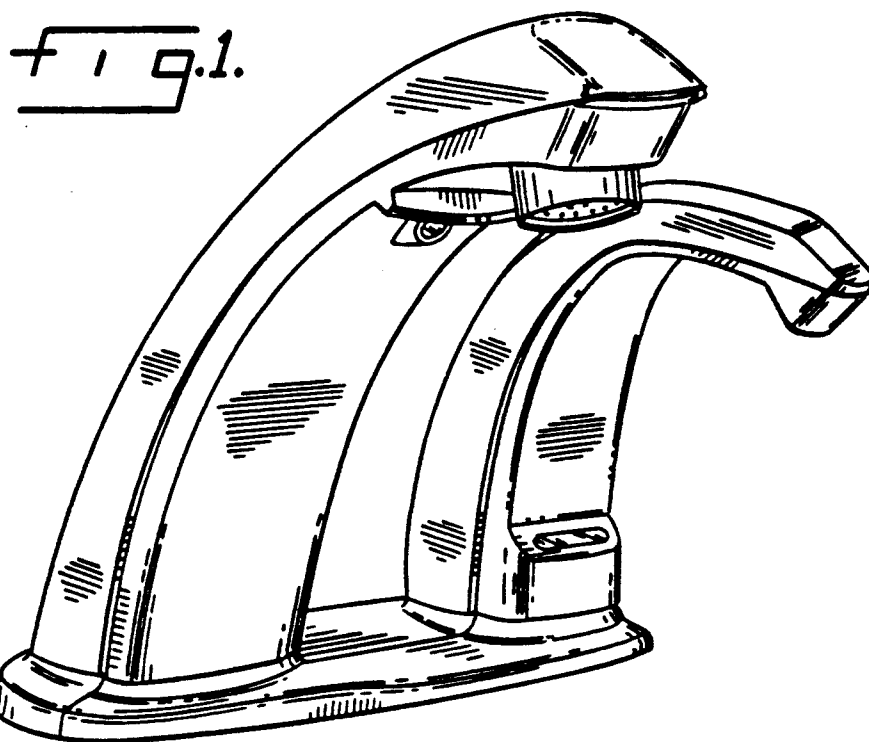


fig. 2.

FIG. 3.

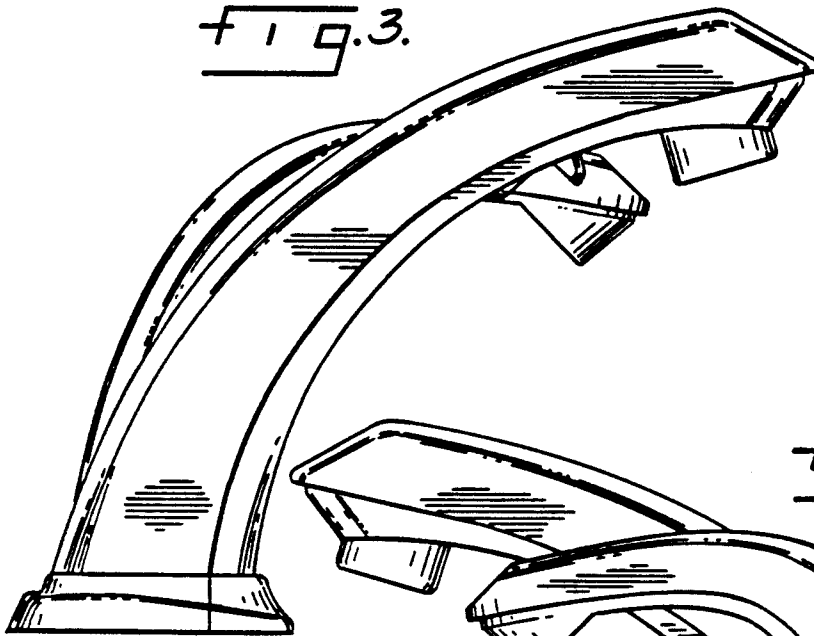


FIG. 4.

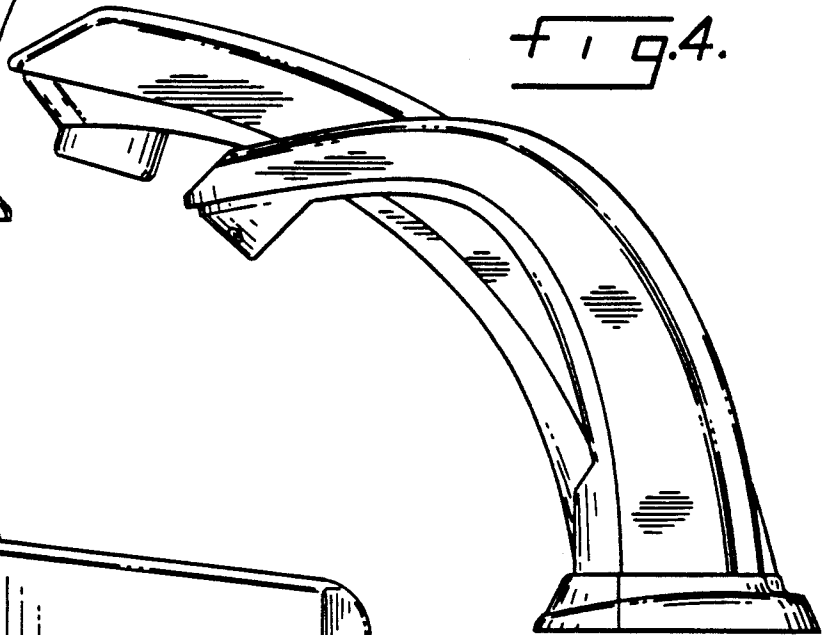
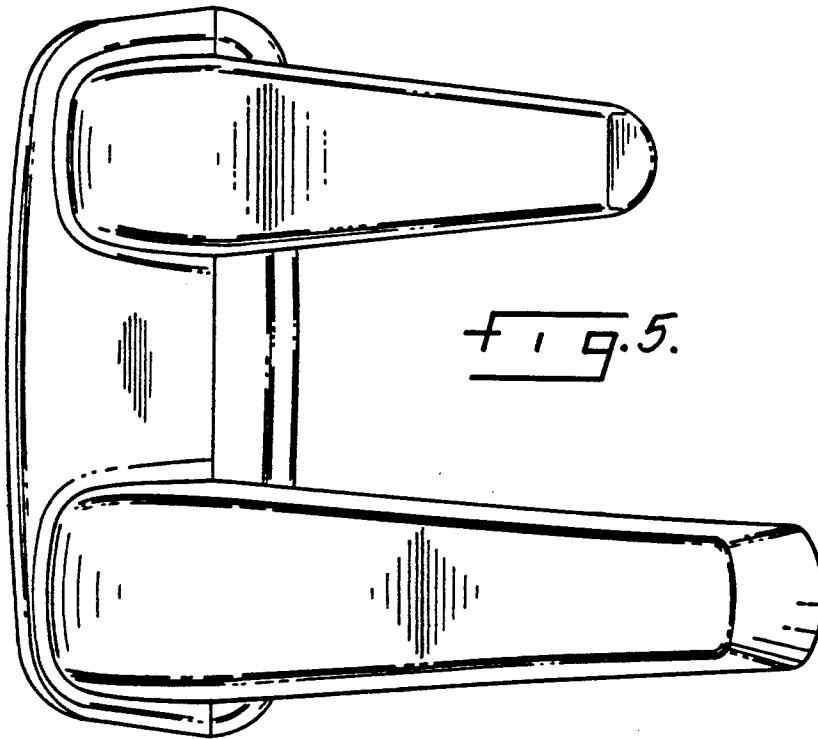


FIG. 5.



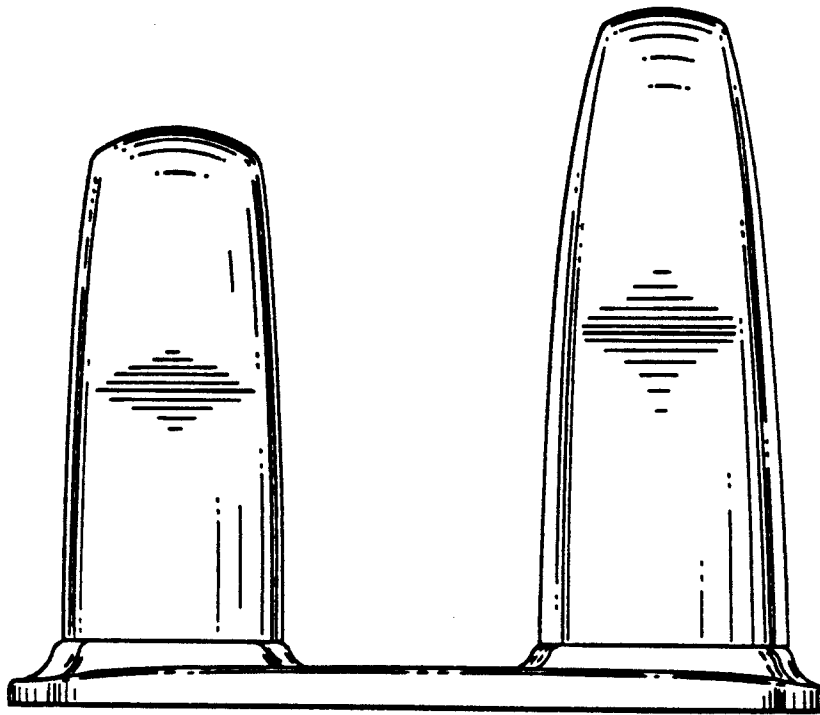


fig. 6.

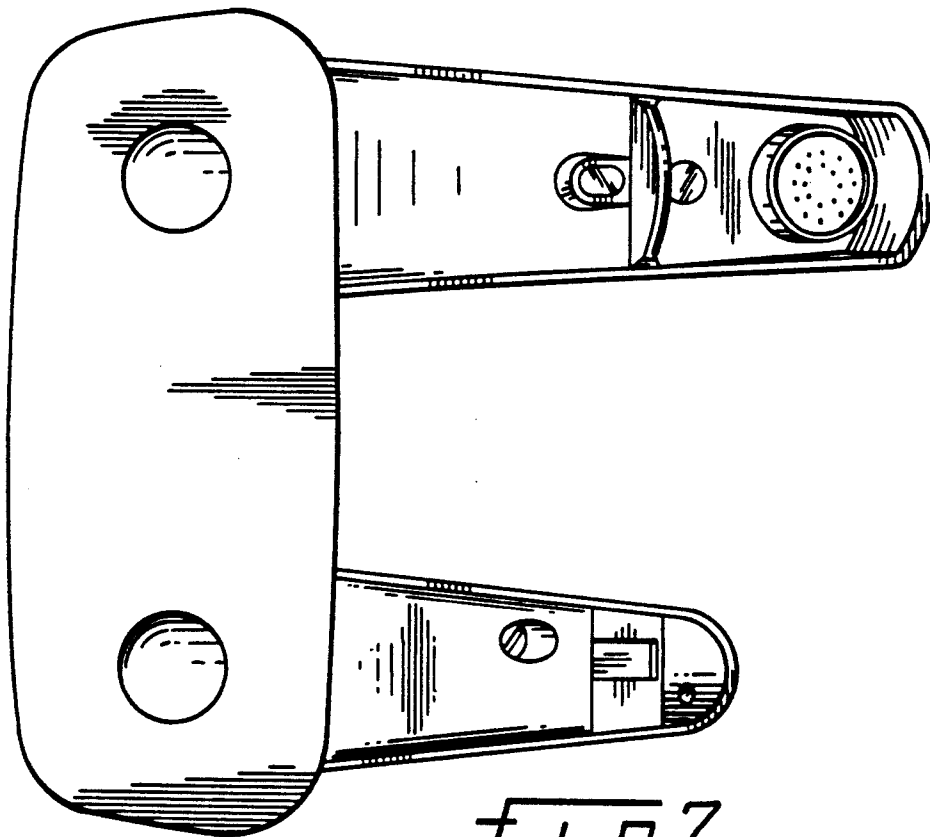


fig. 7.