

[54] CUSHION

[76] Inventor: Patrick J. Randall, 2320 Jackson, Joplin, Mo. 64801

[\*\*] Term: 14 Years

[21] Appl. No.: 823,940

[22] Filed: Aug. 12, 1977

[51] Int. Cl. .... D6-01

[52] U.S. Cl. .... D6/201; D6/32; D6/36; D6/146

[58] Field of Search ..... D6/32-36, D6/146, 201, 200, 147, 148

[56] References Cited

U.S. PATENT DOCUMENTS

|            |        |          |       |          |
|------------|--------|----------|-------|----------|
| D. 224,825 | 9/1972 | Jenkins  | ..... | D6/146   |
| D. 230,454 | 2/1974 | Thompson | ..... | D6/201   |
| 3,902,456  | 9/1975 | David    | ..... | D6/201 X |

OTHER PUBLICATIONS

"McCalls Needlework Patterns", Feb./Mar. 1960, p. 445, item E. Cushion.

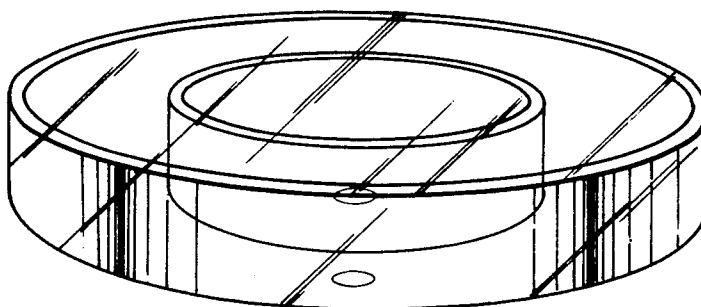
Primary Examiner—Bruce W. Dunkins  
Attorney, Agent, or Firm—Lowe, Kokjer, Kircher, Wharton & Bowman

[57] CLAIM

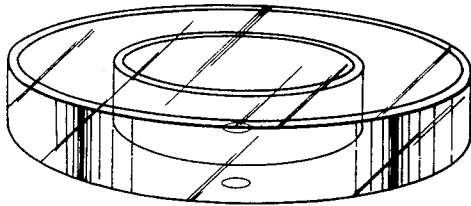
The ornamental design for a cushion, as shown and described.

DESCRIPTION

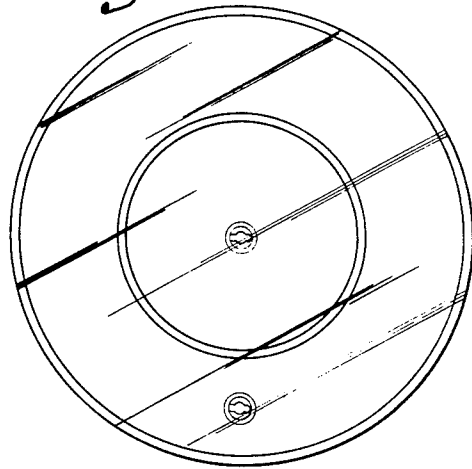
FIG. 1 is a perspective view of a a cushion showing my new design;  
FIG. 2 is a top plan view of the cushion;  
FIG. 3 is a bottom plan view of the cushion;  
FIG. 4 is a side elevational view of the cushion;  
FIG. 5 is another side elevational view of the cushion, taken approximately 90 degrees from the view shown in FIG. 4; and  
FIG. 6 is a side sectional view of the cushion taken along line 6—6 of FIG. 4 in the direction of the arrows.



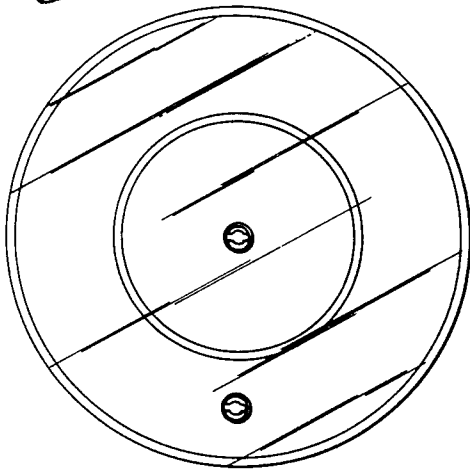
*Fig. 1.*



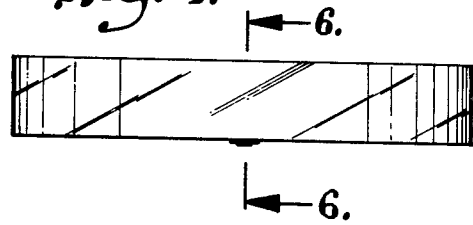
*Fig. 2.*



*Fig. 3.*



*Fig. 4.*



*Fig. 5.*



*Fig. 6.*

