

(19) World Intellectual Property Organization
International Bureau



(43) International Publication Date
12 December 2002 (12.12.2002)

PCT

(10) International Publication Number
WO 02/099162 A3

(51) International Patent Classification⁷: C23C 18/16

(21) International Application Number: PCT/GB02/02412

(22) International Filing Date: 23 May 2002 (23.05.2002)

(25) Filing Language: English

(26) Publication Language: English

(30) Priority Data:
0113408.9 4 June 2001 (04.06.2001) GB
0128571.7 29 November 2001 (29.11.2001) GB

(71) Applicant (for all designated States except US): QINETIQ LIMITED [GB/GB]; Registered Office, 85 Buckingham Gate, London SW1E 6PD (GB).

(72) Inventors; and

(75) Inventors/Applicants (for US only): FIXTER, Gregory,

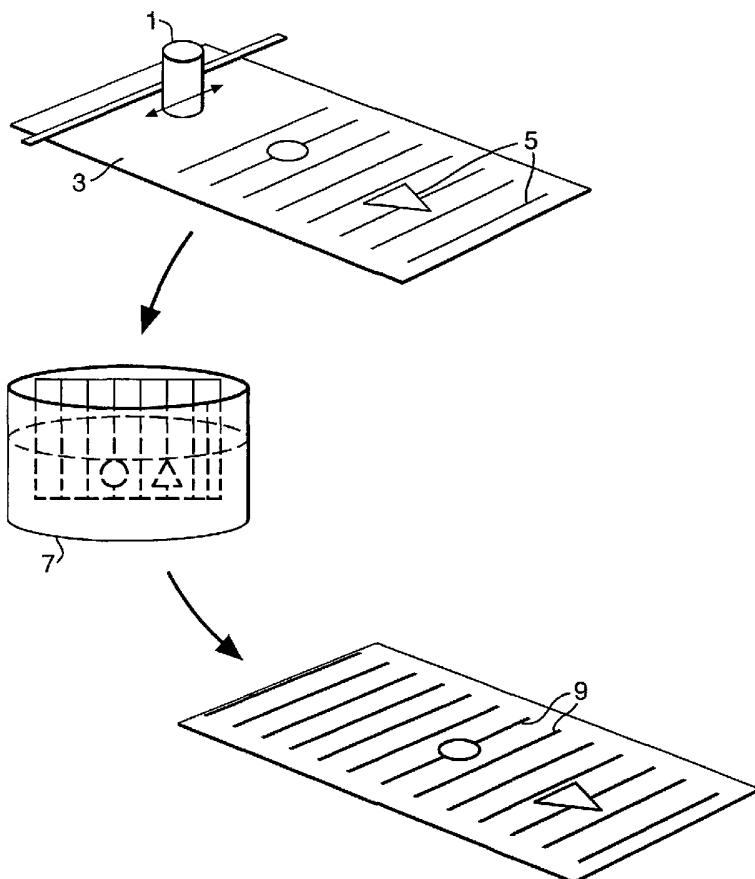
Peter, Wade [GB/GB]; QinetiQ Farnborough, A7 Building, Room 1146, Cody Technology Park, Farnborough, Hampshire GU14 0LX (GB). JOHNSON, Daniel, Robert [GB/GB]; QinetiQ Farnborough, A7 Building, Room 1146, Cody Technology Park, Farnborough, Hampshire GU14 0LX (GB). DAMERELL, William, Norman [GB/GB]; QinetiQ Farnborough, A7 Building, Room 1146, Cody Technology Park, Farnborough, Hampshire GU14 0LX (GB). APPLETON, Stephen, George [GB/GB]; QinetiQ Farnborough, A7 Building, Room 1146, Cody Technology Park, Farnborough, Hampshire GU14 0LX (GB).

(74) Agent: RICHARDSON, Mark; IP QinetiQ Formalities, Cody Technology Park, A4 Building Ively Road, Farnborough, Hampshire GU14 0LX (GB).

(81) Designated States (national): AE, AG, AL, AM, AT, AU, AZ, BA, BB, BG, BR, BY, BZ, CA, CH, CN, CO, CR, CU, CZ, DE, DK, DM, DZ, EC, EE, ES, FI, GB, GD, GE, GH,

[Continued on next page]

(54) Title: PATTERNING METHOD



(57) Abstract: A method of preparing a substrate material such that it is capable of sponsoring a catalytic reaction over a pre-determined area of its surface comprising coating some or all of the substrate material with a catalytic material which is capable, once the coated substrate material with a catalytic reaction environment, of sponsoring a catalytic reaction over the coated areas of the substrate wherein the catalytic material is printed onto the substrate by a pattern transfer mechanism.

WO 02/099162 A3



GM, HR, HU, ID, IL, IN, IS, JP, KE, KG, KP, KR, KZ, LC, LK, LR, LS, LT, LU, LV, MA, MD, MG, MK, MN, MW, MX, MZ, NO, NZ, OM, PH, PL, PT, RO, RU, SD, SE, SG, SI, SK, SL, TJ, TM, TN, TR, TT, TZ, UA, UG, US, UZ, VN, YU, ZA, ZM, ZW.

(84) Designated States (regional): ARIPO patent (GH, GM, KE, LS, MW, MZ, SD, SL, SZ, TZ, UG, ZM, ZW), Eurasian patent (AM, AZ, BY, KG, KZ, MD, RU, TJ, TM), European patent (AT, BE, CH, CY, DE, DK, ES, FI, FR, GB, GR, IE, IT, LU, MC, NL, PT, SE, TR), OAPI patent (BF, BJ, CF, CG, CI, CM, GA, GN, GQ, GW, ML, MR, NE, SN, TD, TG).

Declaration under Rule 4.17:

— *of inventorship (Rule 4.17(iv)) for US only*

Published:

— *with international search report*
— *before the expiration of the time limit for amending the claims and to be republished in the event of receipt of amendments*

(88) Date of publication of the international search report:

31 July 2003

For two-letter codes and other abbreviations, refer to the "Guidance Notes on Codes and Abbreviations" appearing at the beginning of each regular issue of the PCT Gazette.

INTERNATIONAL SEARCH REPORT

International Application No.

PCT/GB 02/02412

A. CLASSIFICATION OF SUBJECT MATTER
IPC 7 C23C18/16

According to International Patent Classification (IPC) or to both national classification and IPC

B. FIELDS SEARCHED

Minimum documentation searched (classification system followed by classification symbols)

IPC 7 C23C

Documentation searched other than minimum documentation to the extent that such documents are included in the fields searched

Electronic data base consulted during the international search (name of data base and, where practical, search terms used)

EPO-Internal, WPI Data, PAJ

C. DOCUMENTS CONSIDERED TO BE RELEVANT

Category °	Citation of document, with indication, where appropriate, of the relevant passages	Relevant to claim No.
X	US 4 668 533 A (MILLER JOEL S) 26 May 1987 (1987-05-26) the whole document ---	1-3,5,7, 11-13, 15,18,19
X	EP 0 132 677 A (BAYER AG) 13 February 1985 (1985-02-13) the whole document ---	1-5, 7-10,15, 18-21
A	DE 198 23 112 A (HOCHSCHULE FUER TECHNIK UND WI) 25 November 1999 (1999-11-25) claims 1-4 ---	6,9
A	US 5 453 121 A (NICHOLLS STEPHEN L ET AL) 26 September 1995 (1995-09-26) column 3, line 29 -column 4, line 18 -----	20-25

 Further documents are listed in the continuation of box C. Patent family members are listed in annex.

° Special categories of cited documents :

- *A* document defining the general state of the art which is not considered to be of particular relevance
- *E* earlier document but published on or after the international filing date
- *L* document which may throw doubts on priority claim(s) or which is cited to establish the publication date of another citation or other special reason (as specified)
- *O* document referring to an oral disclosure, use, exhibition or other means
- *P* document published prior to the international filing date but later than the priority date claimed

- *T* later document published after the international filing date or priority date and not in conflict with the application but cited to understand the principle or theory underlying the invention
- *X* document of particular relevance; the claimed invention cannot be considered novel or cannot be considered to involve an inventive step when the document is taken alone
- *Y* document of particular relevance; the claimed invention cannot be considered to involve an inventive step when the document is combined with one or more other such documents, such combination being obvious to a person skilled in the art.
- * & * document member of the same patent family

Date of the actual completion of the international search

5 June 2003

Date of mailing of the international search report

16/06/2003

Name and mailing address of the ISA

European Patent Office, P.B. 5818 Patentlaan 2
NL - 2280 HV Rijswijk
Tel. (+31-70) 340-2040, Tx. 31 651 epo nl,
Fax: (+31-70) 340-3016

Authorized officer

Van Leeuwen, R

INTERNATIONAL SEARCH REPORT

Annex on patent family members

Internat. Application No.

PCT/GB 02/02412

Patent document cited in search report		Publication date	Patent family member(s)	Publication date
US 4668533	A	26-05-1987	NONE	
EP 0132677	A	13-02-1985	DE 3326508 A1 EP 0132677 A1 JP 60039165 A	07-02-1985 13-02-1985 28-02-1985
DE 19823112	A	25-11-1999	DE 19823112 A1	25-11-1999
US 5453121	A	26-09-1995	AT 224936 T AU 687827 B2 AU 7063494 A WO 9501404 A1 CN 1126485 A ,B DE 69431436 D1 EP 0714422 A1 JP 8512069 T RU 2129579 C1	15-10-2002 05-03-1998 24-01-1995 12-01-1995 10-07-1996 31-10-2002 05-06-1996 17-12-1996 27-04-1999