

(19) **DANMARK**

(10) **DK/EP 2914161 T3**



Patent- og  
Varemærkestyrelsen

(12) **Oversættelse af  
europæisk patentskrift**

- 
- (51) Int.Cl.: **A 61 B 5/00 (2006.01)**                      **A 61 B 5/024 (2006.01)**                      **A 61 B 5/11 (2006.01)**  
**A 61 B 5/145 (2006.01)**                      **A 61 B 5/18 (2006.01)**
- (45) Oversættelsen bekendtgjort den: **2021-05-10**
- (80) Dato for Den Europæiske Patentmyndigheds bekendtgørelse om meddelelse af patentet: **2021-02-24**
- (86) Europæisk ansøgning nr.: **13791950.2**
- (86) Europæisk indleveringsdag: **2013-11-01**
- (87) Den europæiske ansøgnings publiceringsdag: **2015-09-09**
- (86) International ansøgning nr.: **EP2013072850**
- (87) Internationalt publikationsnr.: **WO2014068077**
- (30) Prioritet: **2012-11-05 EP 12191186**
- (84) Designerede stater: **AL AT BE BG CH CY CZ DE DK EE ES FI FR GB GR HR HU IE IS IT LI LT LU LV MC MK MT NL NO PL PT RO RS SE SI SK SM TR**
- (73) Patenthaver: **Sanofi-Aventis Deutschland GmbH, Brüningstraße 50, 65929 Frankfurt am Main, Tyskland**
- (72) Opfinder: **GROESCHKE, Jasmin, c/o Sanofi-Aventis Deutschland GmbH, 65926 Frankfurt am Main, Tyskland**  
**SPENGLER, Jan-Peter, c/o Sanofi-Aventis Deutschland GmbH, 65926 Frankfurt am Main, Tyskland**  
**BENDER, Marc, c/o Sanofi-Aventis Deutschland GmbH, 65926 Frankfurt am Main, Tyskland**  
**RIEDERER, Heinz, c/o Sanofi-Aventis Deutschland GmbH, 65926 Frankfurt am Main, Tyskland**
- (74) Fuldmægtig i Danmark: **RWS Group, Europa House, Chiltern Park, Chiltern Hill, Chalfont St Peter, Bucks SL9 9FG, Storbritannien**
- (54) Benævnelse: **APPARAT OG FREMGANGSMÅDE TIL OVERVÅGNING AF EN KROPSFUNKTION OG/ELLER EN KROPSEGENSKAB**
- (56) Fremdragne publikationer:  
**US-A1- 2008 004 904**  
**US-A1- 2010 030 092**



## DESCRIPTION

**[0001]** Apparatus for monitoring of a body function and/or a body property

The present invention refers to an apparatus for the monitoring of a body function and/or a body property of a patient comprising a sensor which determines measurement values with regard to the body function and/or the body property.

**[0002]** Apparatuses for the monitoring of a body function of a patient (human or animal) are known, for example as blood glucose meter or pulse monitor. These devices assess measurement values of a specific body function, such as the concentration of glucose in the blood or the pulse frequency. In most cases those devices are constructed to detect critical conditions, e.g. an elevated pulse frequency, hyperglycemia or hypoglycemia and when necessary give the respective warnings and warning signals.

**[0003]** Further, apparatuses for the monitoring of a body property of a person are known, for example smart phones which determine and store a sequence of geographical positions of a person along his/her covered way using, for example, GPS

**[0004]** US2008/0004904 discloses a patient monitoring system in which vital information is captured and coupled to a network and US2010/030092 discloses a method for measuring the onset of a condition and whereby an output alert is generated.

**[0005]** For patients, in particular children or older people, who are undergoing a therapy such as a diabetes treatment, a lapse of the therapeutic target value possess a critical situation, which often cannot be dealt with sufficiently. In this case particularly parents of children, relatives or emergency personnel are interested in being informed about such conditions in order to offer quick and specific help.

**[0006]** The problem of the present invention is to create a device, which monitors the body function and/or body property of a patient and which in case of critical situation initiates practical steps in order to inform relatives or emergency personnel.

**[0007]** The above-mentioned problem is solved by the apparatus with the features specified in claim 1.

**[0008]** The apparatus according to the invention comprises a sensor for the recording of values of the body function, a unit for detecting a critical, if applicable pathological, condition (hereinafter short: critical condition) of the body function and/or body property based on the measurement values and a unit for providing alert information to the patient in case a critical condition is detected, preferably optically and/or acoustically, an acknowledgement unit for acknowledging the critical condition and a transmitter for transmitting information with regard to the corresponding body function and/or body property, for example an emergency signal and/or a position information, wherein the transmitter is only activatable in the case, in which

after a predefined time period after the detection of the critical condition has passed, e.g. several minutes, the acknowledgment unit has not been operated. In case the acknowledgement unit has been operated within the predefined period of time, the unit for transmitting information stays inactive.

**[0009]** Generally a critical condition, respectively the effect of such on the body function, and the measuring values with respect to the body function are defined by the treating health care practitioner (HCP) and/or the respective health authorities. For example it is generally accepted that if the concentration of glucose in the blood falls below a level of 40 mg/dl there is a hypoglycemia and if the concentration exceeds a level of 243 mg/dl (13.5 mmol/l) there is a hyperglycemia. A critical value of the pulse frequency can be determined individually and usually depends on the age and physical condition of the patient.

**[0010]** The apparatus according to the invention has the advantage of not informing the attending person and/or the emergency personnel in every case, which means those cases in which the patient is fine and despite the critical condition able to take the necessary measures herself or himself. Due to this, unnecessary costs and expenditures are avoided. At the same time, if a patient is actually not doing well because of his or her critical condition or he or she is not able to help himself or herself and does therefore not acknowledge the alert information about the critical condition in the given time, the transmitter is activated and the respective information, e.g. information about the monitored body function and its condition and/or information about the patient or his/her body property is transmitted to the attending person or the emergency personnel, respectively.

**[0011]** Information about the monitored body function and its condition include for example information about what body function is monitored, the current measuring values taken by the sensor and the threshold values on which the detection of a critical condition is based on.

**[0012]** Information about the patient or his/her body property include for example name, address, phone numbers or the current position of the patient, which can be determined for example by an integrated GPS sensor.

**[0013]** Another advantage of the inventive apparatus consists therein that it improves the possibility of older people to stay independently. If a short dysfunction of the body leads to a fall, a height gauge (altimeter) may measure the distance of the gauge fixed at the patient's body with regard to the floor or sensor elements positioned within the flat of the patient. In this case the body property is the position of the height gauge with regard to the floor. This embodiment may only be applied to the "homezone", that means for example the flat of the patient.

**[0014]** In another embodiment the sensor comprises a position sensor like GPS. Further the patient and/or the HCP may define geographical areas and, if applicable, corresponding time information. These areas may be allowed areas and/or forbidden areas. If the position of the patient is detected to be in a forbidden area or outside an allowed area, preferably if the time

of the day and/or day of the week is additionally considered, the irregular position is indicated at the display and may be acknowledged by the patient as explained above. That means that allowable areas and/or forbidden areas may be defined dependent on a corresponding time of day and/or day of the week. In case that the patient does not acknowledge the critical condition within the predetermined time period the transmitter is activated and transmits preferably the position of the patient and an emergency signal. This embodiment may be important with regard to dementia or disoriented patients.

**[0015]** In a further embodiment the body property of the patient which is measured by the sensor comprises the time-dependent position change of the sensor. An unusual steadiness in position may have at least two reasons. At first the patient may suffer an illness and therefore does not move. At second the sensor is not worn by the patient. The occurrence of the second case may be distinguished from the first situation by additionally determining the position of the sensor. In case that the sensor is located within a geographical area around the flat of the patient ("homezone"), it is very probable that the sensor is not worn by the patient and lies at home of the patient. Hence, the unit for detecting a critical condition compares the time of steadiness in position with a predetermined time threshold and preferably considers additionally the geographical position of the sensor or the time of day and/or the day of week in order to detect a critical condition in which the patient may need help.

**[0016]** Hence, it is of advantage if the sensor comprises a clock measuring the time and determining the day of week.

**[0017]** The acknowledgement unit may comprise a push-button or a plurality of keys and buttons which have to be pressed simultaneously. Additionally, the acknowledgement unit comprises a microphone, which receives sound signals from the patient, such as a predefined word or a predefined sentence, then conducts a speech analysis of these sound signals and compares it to the predefined word or sentences. In the latter case acknowledgement can only be made by the patient repeating a predefined word or sentence. By integrating a voice recognition system in the acknowledgement unit which analyzes the sound signals from the patient, it is ensured that the acknowledgement comes from the respective patient.

**[0018]** In a preferred embodiment of the present invention the transmitter is equipped to transmit a respective emergency call after being activated. The transmitter according to the invention transmits an internationally recognized emergency signal or depending on the country or region, where the patient currently is, a regionally recognized emergency signal to a respective mobile or conventional phone emergency call recipient. This makes it possible for the emergency personnel to be on site very quickly and to help the patient in critical condition.

**[0019]** In a further embodiment of the invention the unit for detection of a critical condition may compare a measurement value of the body function and/or a body property taken by the sensor with at least one threshold value so that the unit can assess, depending on the outcome of this comparison, if there is a critical condition or not. Therein is preferably the at least one individual threshold value to be preset by the patient or the HCP, as this threshold

value is subject to fluctuations according to for example the age of the patient. Accordingly, a measurement value recorded by the sensor may be analyzed whether the measurement value lies within an allowed or forbidden measurement range, for example a predefined geographical position or area, and for the measurement value it is then decided whether there is a critical condition or not dependent on the result of the comparison or analysis. The above explanation regarding presetting by the patient or an HCP applies to the allowed or forbidden measurement range analogous.

**[0020]** In another preferred embodiment the transmitter comprises a transmitter for the public mobile phone network, if necessary via satellite. Via the known mobile phone network the information about the patient or the critical condition can be submitted fast and easy and as quickly as possible.

**[0021]** Further, it is of advantage that the transmitter is operable to communicate with a vehicle and/or a mobile phone and/or telephone network, particularly via the conventional telephone network and/or the public mobile phone network. Via those information channels the apparatus according to the invention may, in order to effectively avoid accidents, also transmit information to the vehicle, in which the patient may currently be located. After the transmission of the information of the critical condition of the patient, which may be the driver, the control apparatus of the vehicle may stop the vehicle in a controlled manner and/or show the respective indication and/or request in order to make the driver stop the vehicle.

**[0022]** Additionally, in one embodiment of the present invention there is also the advantage that the fixed time period in which the acknowledgement of the condition by the patient has to be made, may be preset by the patient and/or the HCP.

**[0023]** The invention further refers to a system according to claim 9.

**[0024]** Further objectives, characteristics, advantages and applications of the invention may be derived from the following description of the Figures of one embodiment.

**[0025]** The Figures schematically depict:

Fig. 1

an apparatus according to the invention shown in a top view in a first situation,

Fig. 2

the apparatus according to the invention according to Fig.1 in an alarm situation and

Fig. 3

the apparatus according to the invention according to Fig. 1 in a situation of transmitting information.

**[0026]** The monitoring apparatus depicted in Fig. 1 to 3 comprises a housing 1, resembling a watchcase, a sensor for the recording of a measuring value of a body function in form of a

pulse frequency sensor 3. Pulse frequency sensors are already known and are therefore in regard to their method of operation not further described.

**[0027]** Furthermore, the housing 1 comprises a device 5 for the detection for a critical condition of the body function. In case of the embodiment described herein, a device 5 is provided, which determines whether the pulse frequency detected by the pulse frequency sensor 3, exceeds a first threshold value of, e.g.  $220 \text{ min}^{-1}$ . Therefore the device 5 is connected with the pulse frequency sensor 3. The threshold value for the pulse frequency saved in the inventive apparatus may be changed by the HCP or the patient.

**[0028]** In case the device 5 detects that the preset threshold value for the pulse frequency is exceeded, the unit for displaying the critical condition generate for example a sharpe tone as an alert information by a loudspeaker 7 and/or a flashing light signal as an alert information by a display 8, informing the patient of the present critical condition. The loudspeaker 7 and/or the display 8 are connected to the device 5. The situation of the inventive apparatus in which a critical condition of the patient has been detected and the loudspeaker 7 generates a sharp warning tone and the display 8 shows a warning signal is depicted in fig. 2.

**[0029]** Now the patient has the possibility of deciding whether he or she considers this condition to be actually critical and whether he or she is able to take further measures in this case.

**[0030]** If the patient decides that the condition is not so critical that his/her body function is affected or that he or she is able to take the proper countermeasures without help, he or she will acknowledge the warning signal by operating e.g. a push button 11 or alternatively two push buttons at the same time accommodated for example sideways on the housing. The warning signal from the loudspeaker 7 und/or the display 8 will then stop and the inventive apparatus will revert into the normal state as shown in fig. 1, in which it continuously or in predetermined fixed intervals records a measuring value of a body function or a body property, such as the pulse frequency.

**[0031]** The apparatus according to the invention furthermore comprises a clock 13 with a clock pulse, also arranged within the housing 1, which after the detection of a critical condition of the body function by the device 5 connected with the clock 13, assesses the expiration of a preset time period. Such a time period may be for example 10 minutes. If the warning signal is not acknowledged by the patient as described above within this time period, immediately after expiration of this period, as depicted in Fig. 3, a transmitter 15 is activated, which transmits over a radio network, e.g. a public mobile phone network, information about the physical condition of the patient and/or the patient itself, respectively. The information may be created in such a way that the network provider recognizes the information as a regional or national emergency call. The network provider then transfers this information to an emergency service provider near the patient.

**[0032]** Furthermore the information can also be transmitted to the phone numbers of relatives,

such as parents or children, or attending persons, which have before been saved in the apparatus according to the invention.

**[0033]** Now it is possible that the staff of an emergency service respectively the attending persons and relatives can take further measures, in particular offer immediate help for the patient as for example sending an ambulance to the current location of the patient.

**[0034]** Further, the transmitter 15 may comprise a unit for the communication with a vehicle and/or a mobile phone and/or the telephone network. According to the invention, particularly the communication of the apparatus with the vehicle, with which the patient is moving, may be provided as with the emerging of a critical condition there is an increased risk of accidents. If information about the critical situation with regard to a driver is transmitted to the vehicle, it may be possible that the control system/apparatus of the vehicle automatically stops the vehicle or initiates another secure mode of the vehicle like starting the operation of hazard flashes. Therefore, the information transmitted to the vehicle in case a critical condition of a patient is detected comprises a stop-instruction for the control apparatus of the vehicle or an indication and/or request for the driver to make the driver stop the vehicle. Alternatively or additionally, the information may also be transmitted to the patient's own mobile phone from which it may be further transmitted to relatives, attending persons or emergency personnel.

**[0035]** The apparatus according to the invention depicted in fig. 1 to 3 may for example be used for monitoring diabetes patients, as the pulse frequency also is an indicator for hyperglycemia or hypoglycemia. In a similar way the apparatus according to the invention may be used for example for monitoring of patients suffering from epilepsy (measuring of absences, measuring via electrodes) or for monitoring of patients suffering from heart conditions (recording of cardiac arrhythmias). In the latter case cardiac arrhythmias may be measured for example by an implanted pacemaker or defibrillator and transmitted the recorded results to the apparatus according to the invention. If necessary the detection of a critical condition may be determined also in the pacemaker or defibrillator. In this case the monitoring apparatus may be connected with the pacemaker or defibrillator. Another example of use refers to older people, in particular patients which suffer dementia or disorientation. The location of these patients may be used to decide whether a critical condition have been occurred, for example in case the patient arrives in a no-go-aera.

#### **List of reference signs**

##### **[0036]**

1

housing

2

pulse frequency sensor

5

7	device, detecting if the pulse frequency limit value is exceeded
8	loudspeaker
11	display / indicator, in particular optical display or LEDs
13	(push-)button for acknowledgement
15	clock
	transmitter

## REFERENCES CITED IN THE DESCRIPTION

This list of references cited by the applicant is for the reader's convenience only. It does not form part of the European patent document. Even though great care has been taken in compiling the references, errors or omissions cannot be excluded and the EPO disclaims all liability in this regard.

### Patent documents cited in the description

- [US20080004904A \[0004\]](#)
- [US2010030092A \[0004\]](#)

## Patentkrav

1. Apparat til overvågning af en kropsfunktion og/eller en kropsegenskab hos en patient, hvilket apparat omfatter en sensor  
5 (3), der bestemmer måleværdier vedrørende kropsfunktionen og/eller kropsegenskaben, en enhed (5) til detektering af en kritisk tilstand ved den respektive kropsfunktion og/eller kropsegenskab på basis af måleværdierne, en enhed til at give varslingsinformation til patienten (7,8) i tilfælde af, at en  
10 kritisk tilstand detekteres, fortrinsvis på en optisk og/eller akustisk måde, en bekræftelsesenhed (11) til bekræftelse af den kritiske tilstand og en sender (15) til transmission af information vedrørende den tilsvarende kropsfunktion og/eller kropsegenskab, for eksempel et nødsignal og/eller en  
15 positionsinformation, hvor senderen (15) kun kan aktiveres i det tilfælde, hvor bekræftelsesenheden (11) ikke er blevet betjent af patienten efter et forud fastlagt tidsrum fra detekteringen af den kritiske tilstand,  
hvor bekræftelsesenheden omfatter en mikrofon og en  
20 stemmegenkendelsesenhed, der er arrangeret således, at stemmegenkendelsesenheden analyserer det lydsignal, der modtages af mikrofonen, hvor bekræftelsesenheden er beregnet til at udføre en taleanalyse af det modtagne lydsignal og sammenligne det med et forud fastlagt ord eller en forud fastlagt  
25 sætning, og hvor bekræftelsesenheden er konfigureret således, at bekræftelsen kun kan foretages ved, at patienten gentager det forud fastlagte ord eller den forud fastlagte sætning, således at det sikres, at bekræftelsen kommer fra patienten.
- 30 2. Apparat ifølge krav 1, hvor enheden (5) til detektering af en kritisk tilstand kan betjenes på en sådan måde, at en måleværdi, der registreres af sensoren (3), sammenlignes med mindst en tærskelværdi og/eller analyseres for at fastslå, om måleværdien ligger inden for et tilladt eller forbudt  
35 måleområde, for eksempel en forud fastlagt geografisk position eller et forud fastlagt område, og for måleværdien beslattes det derefter, om der afhængigt af resultatet af sammenligningen eller analysen foreligger en kritisk tilstand eller ikke.

3. Apparat ifølge krav 2, hvor den mindst ene tærskelværdi, det tilladte måleområde eller det forbudte måleområde kan forudindstilles af patienten eller sundhedspersonalet.

5

4. Apparat ifølge et hvilket som helst af de foregående krav, hvor senderen (15) omfatter en sender til det offentlige mobiltelefonnet, om nødvendigt til et satellitbaseret net, og/eller en sender til det traditionelle telefonnet.

10

5. Apparat ifølge et hvilket som helst af de foregående krav, hvor senderen (15) kan betjenes til at kommunikere med et køretøj, fortrinsvis det køretøj, hvor patienten befinder sig på det pågældende tidspunkt, og/eller en mobiltelefon og/eller et telefonnet, især via det traditionelle telefonnet og/eller det offentlige mobiltelefonnet.

15

6. Apparat ifølge krav 5, hvor den information, der sendes til køretøjet, omfatter en stopinstruktion til køretøjets styreapparat eller en indikation og/eller en anmodning til føreren om, at føreren skal standse køretøjet.

20

7. Apparat ifølge et hvilket som helst af de foregående krav, hvor tidsrummet kan indstilles af patienten og/eller sundhedspersonalet.

25

8. Apparat ifølge et hvilket som helst af de foregående krav, hvor bekræftelsesenheden ydermere omfatter en trykknop og/eller en flerhed af taster.

30

9. System, der omfatter et apparat til overvågning af en kropsfunktion og/eller en kropsegenskab hos en patient ifølge et hvilket som helst af de foregående krav og et styreapparat til et køretøj med en fører, hvor styreapparatet, hvis styreapparatet modtager en stopinstruktion eller en indikation eller en anmodning om at få føreren til at standse køretøjet fra senderen i apparatet til overvågning, der fortrinsvis er placeret inde i køretøjet, kan betjenes til at påbegynde

35

standsning af køretøjet eller påbegynde visning af den tilsvarende indikation eller anmodning til køretøjets fører og/eller påbegynde en anden sikker tilstand for køretøjet, f.eks. at tænde blinkende advarselslygter.

# DRAWINGS

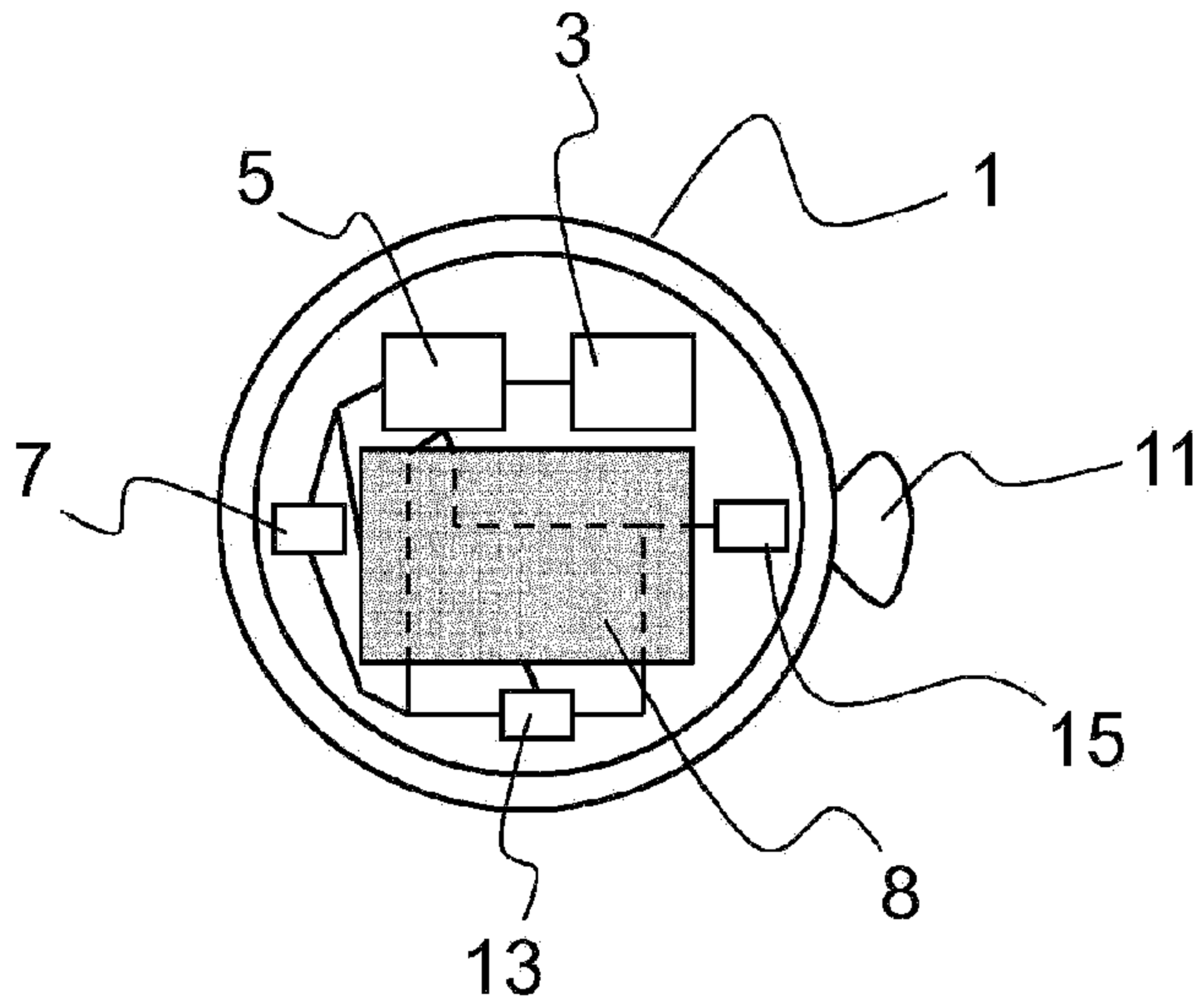


Fig. 1

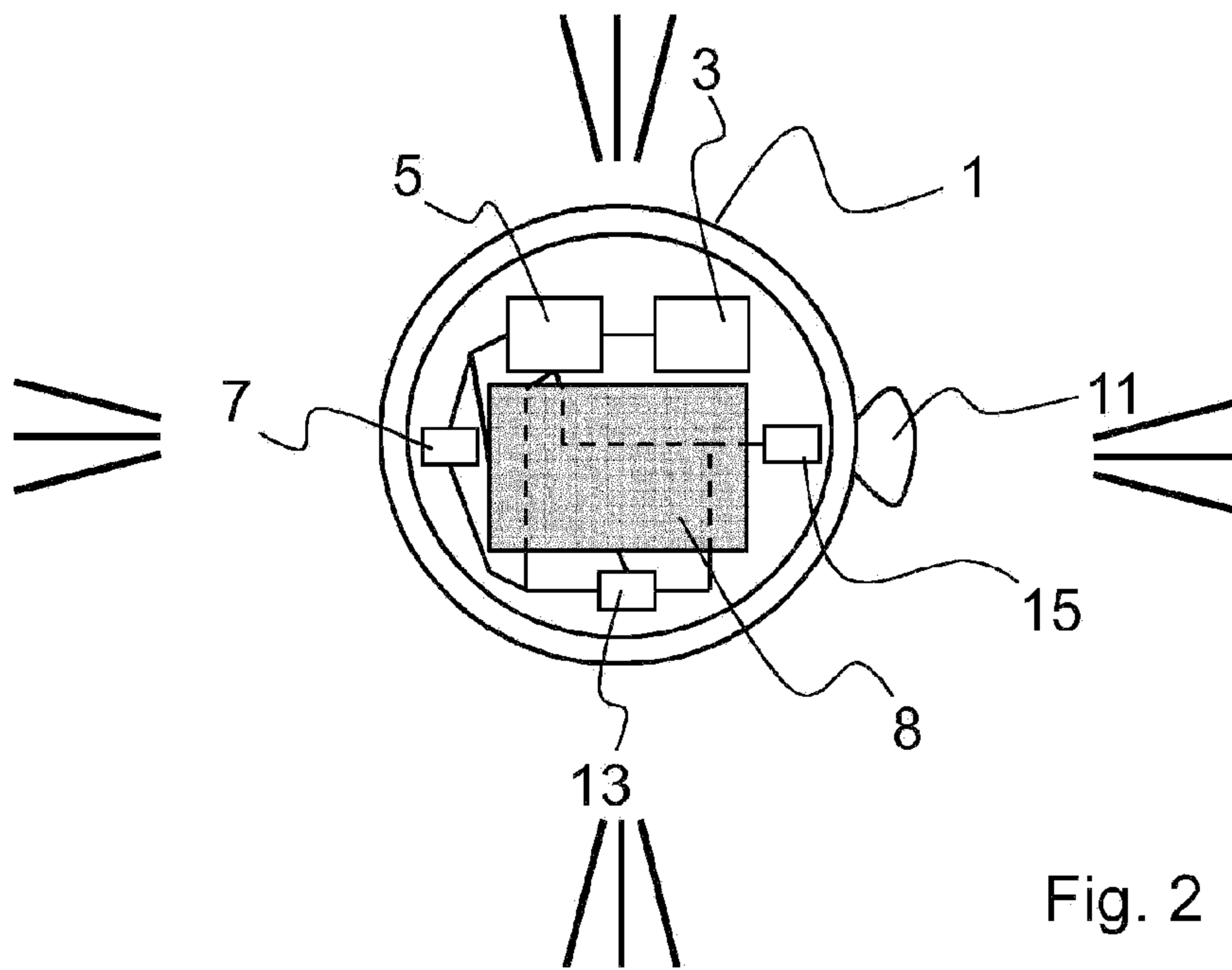


Fig. 2

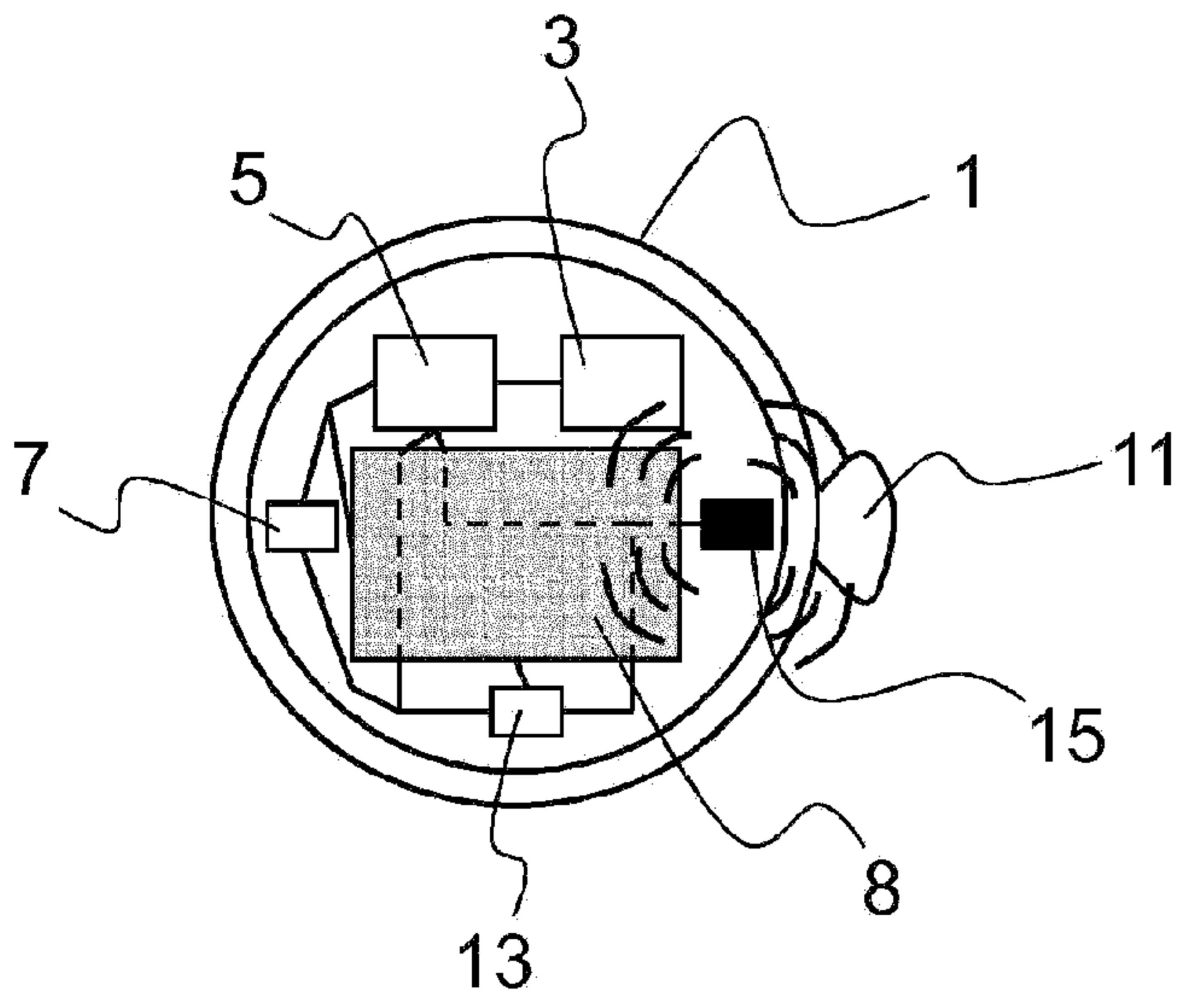


Fig. 3