



US00D349028S

United States Patent [19]

[11] Patent Number: **Des. 349,028**

Sheu

[45] Date of Patent: **** Jul. 26, 1994**

[54] **STAPLE GUN**

D. 333,601 3/1993 Wingert D8/69

[76] Inventor: **Yeong-Chang Sheu**, No. 26, Shing Chaan Road, Nei Hu Village, Luh Guu Hsiang, Nantou Hsien, Taiwan

Primary Examiner—Alan P. Douglas
Assistant Examiner—J. H. Musgrove
Attorney, Agent, or Firm—Morton J. Rosenberg; David I. Klein

[**] Term: **14 Years**

[57] CLAIM

[21] Appl. No.: **910,989**

The ornamental design for a staple gun, as shown and described.

[22] Filed: **Jul. 9, 1992**

[52] U.S. Cl. **D8/68; D8/49**

[58] **Field of Search** **D8/49, 61, 68, 69; 227/120, 127, 128, 130-132; 173/117, 169, 119**

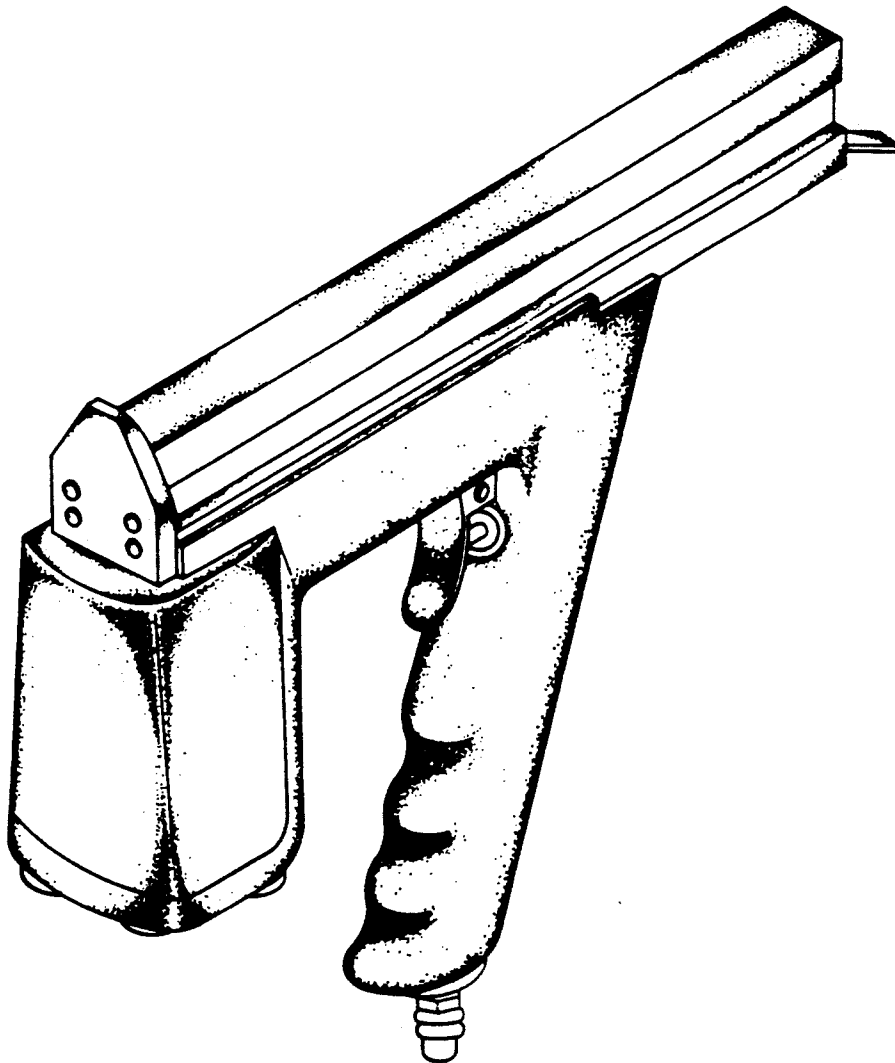
DESCRIPTION

[56] References Cited

U.S. PATENT DOCUMENTS

- D. 311,122 10/1990 Johnson et al. D8/49
- D. 330,836 11/1992 Fushiya et al. D8/69
- D. 332,561 1/1993 Fushiya et al. D8/69

FIG. 1 is a perspective view of a staple gun showing my new design;
FIG. 2 is a front elevational view thereof;
FIG. 3 is a rear elevational view thereof;
FIG. 4 is a left side elevational view thereof;
FIG. 5 is a right side elevational view thereof;
FIG. 6 is a top plan view thereof; and,
FIG. 7 is a bottom plan view thereof.



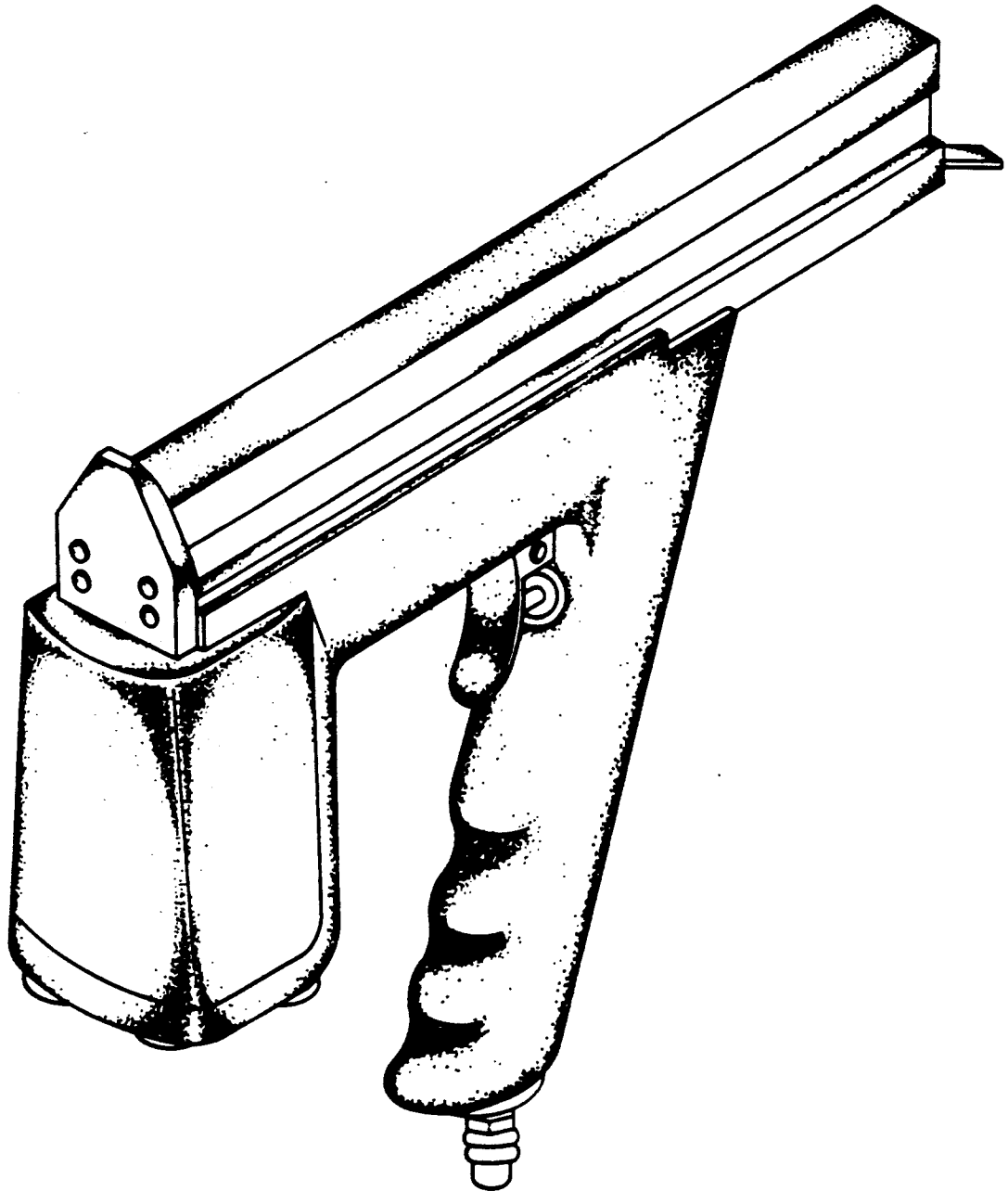


FIG. 1

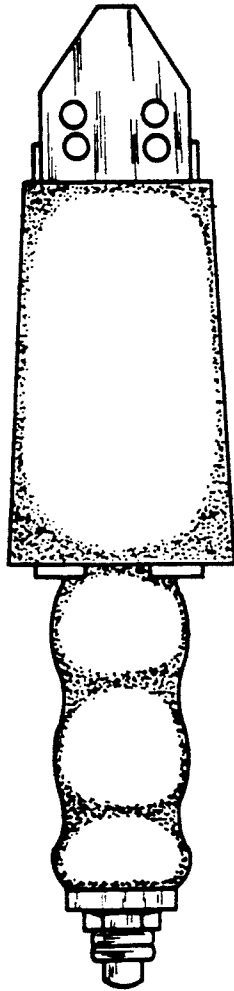


FIG. 2

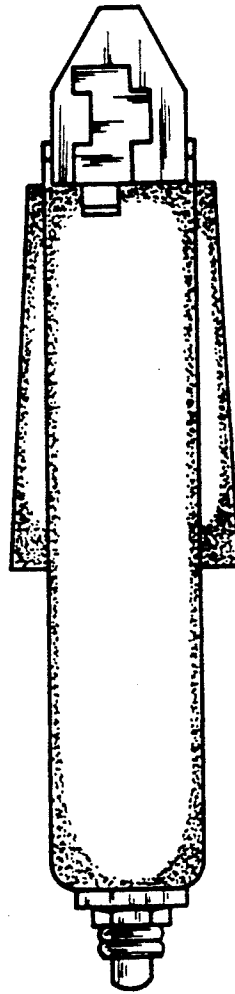


FIG. 3

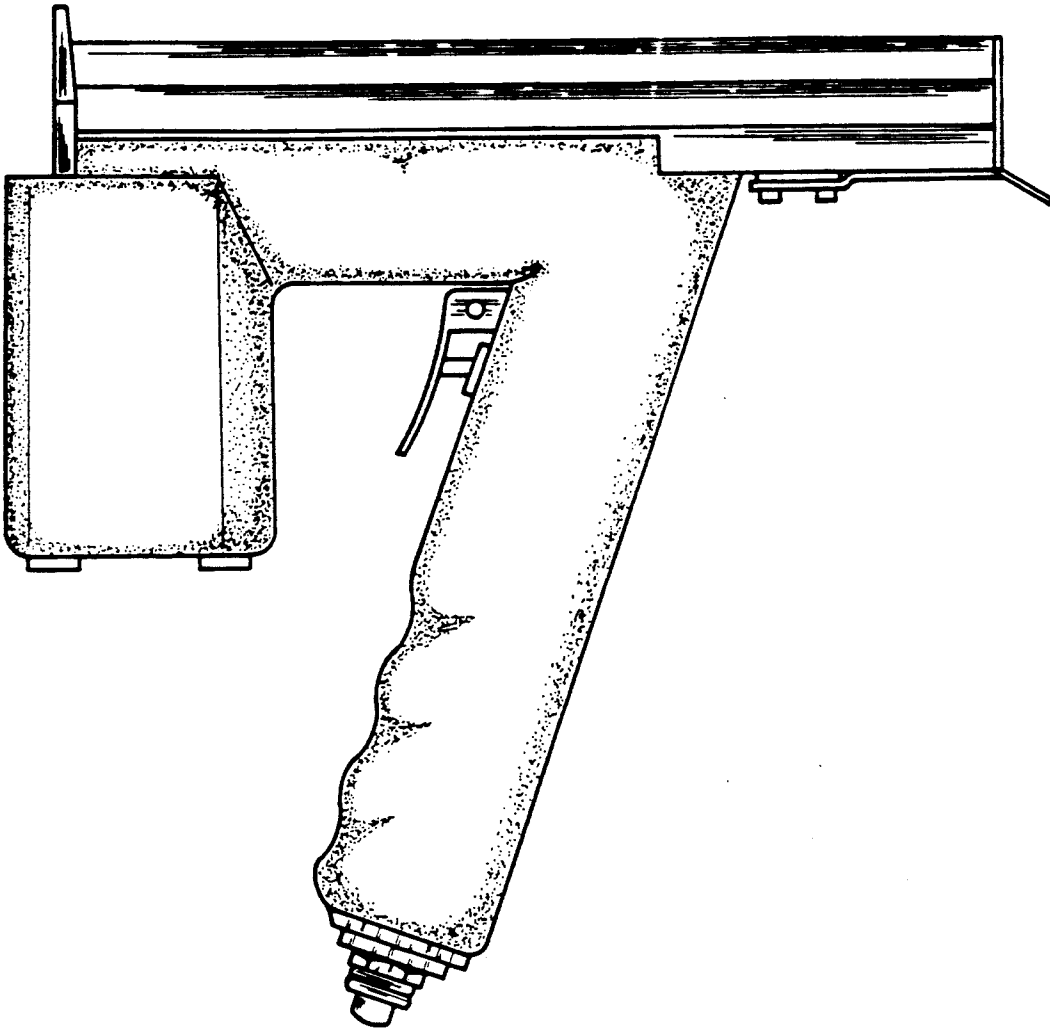


FIG.4

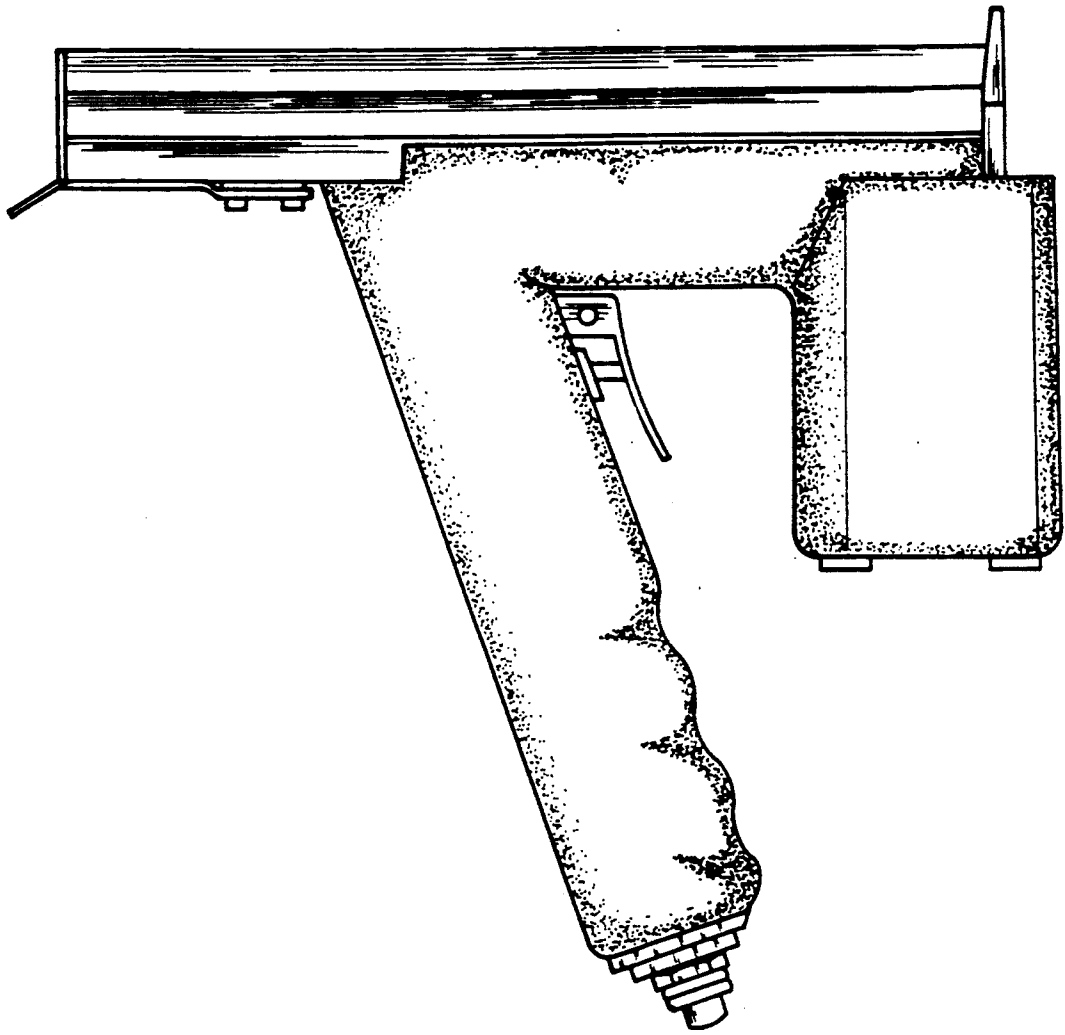


FIG. 5

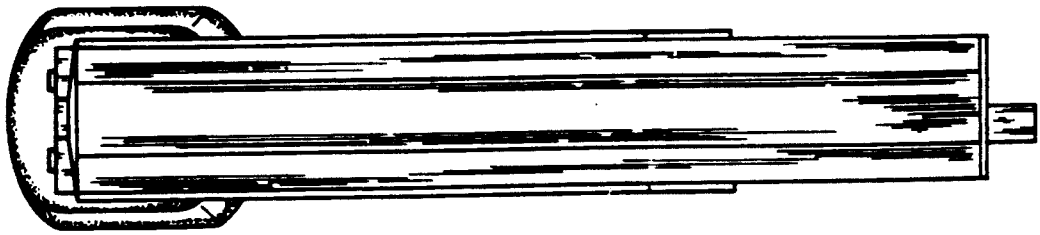


FIG. 6

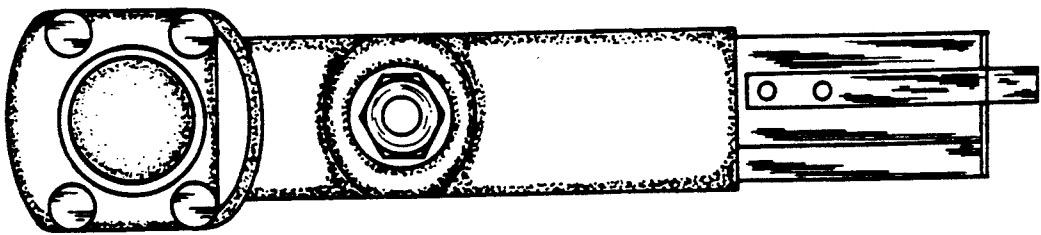


FIG. 7