



US00D492829S1

(12) **United States Design Patent**
Babkes et al.

(10) **Patent No.:** **US D492,829 S**
(45) **Date of Patent:** **** Jul. 6, 2004**

(54) **SUPPORT PLATE**

(75) Inventors: **Mitchell H. Babkes**, Saugus, CA (US);
Dean Tornabene, Marina Del Rey, CA (US)

(73) Assignee: **Sylmark Holdings Limited**, Dublin (IE)

(**) Term: **14 Years**

(21) Appl. No.: **29/187,196**

(22) Filed: **Jul. 28, 2003**

(51) **LOC (7) Cl.** **12-02**

(52) **U.S. Cl.** **D34/27; D34/24**

(58) **Field of Search** **D34/12-27; 280/30, 280/47.18, 40, 47.24, 47.26, 47.29; 108/44; 182/20, 33.3, 33.4; 297/129; D12/303, 420**

(56) **References Cited**

U.S. PATENT DOCUMENTS

118,096 A	8/1871	Bergmann	182/33.4
432,869 A	7/1890	Fry	182/33.3
867,754 A	10/1907	Randall	280/30
1,116,779 A	11/1914	Witt	280/30
1,221,579 A	4/1917	Olds	280/30
1,601,250 A	9/1926	Hilderbrand	280/30
1,925,523 A	9/1933	Cuff et al.	224/482
3,104,889 A	9/1963	Branch	280/30
D204,998 S	6/1966	Klein	
3,785,669 A	1/1974	Doheny	280/47.18
3,954,155 A	5/1976	Guidara	182/20
4,106,590 A	8/1978	Tarran	182/20
4,235,449 A	11/1980	Tarran	280/30
4,258,827 A	3/1981	Klose	182/33.3
4,341,393 A	7/1982	Gordon et al.	280/47.26
4,456,094 A	6/1984	Brander	182/20
4,494,626 A	1/1985	Ast	182/20
D286,344 S	10/1986	Hughes, Jr.	D12/420
4,635,956 A	1/1987	Morrisette	280/652
4,730,760 A	3/1988	Keller	224/556
4,798,304 A	1/1989	Rader	220/6
4,824,167 A	4/1989	King	297/129
4,846,486 A	7/1989	Hobson	280/47.25
4,887,837 A	12/1989	Bonewicz, Jr. et al.	280/654

D315,082 S	3/1991	Liberty, II	D7/601
5,064,020 A	11/1991	Eagleson	182/20
5,161,811 A	11/1992	Cheng	280/30
5,306,027 A	4/1994	Cheng	280/30
5,382,032 A	1/1995	Wilson	280/30
5,427,393 A	6/1995	Kriebel	280/47.28
5,468,005 A	11/1995	Yang	280/40
5,507,508 A	4/1996	Liang	280/37
5,562,299 A	10/1996	Morrisette	280/652
5,669,659 A	9/1997	Dittmer	297/129
5,722,586 A	3/1998	Hansen	108/44
D411,679 S	6/1999	Hsieh et al.	D34/24
6,158,749 A	12/2000	Roudebush	280/47.16
6,173,811 B1	1/2001	Tornabene et al.	182/20
6,196,560 B1	3/2001	Ohlsson	280/30
D440,372 S	4/2001	Williams	D34/27
D445,076 S	7/2001	Weinerman	D12/303
D449,264 S	10/2001	Weinerman	D12/203
6,308,967 B1	10/2001	Stallbaumer et al.	280/47.18
6,328,319 B1	12/2001	Stahler, Sr.	280/47.18
6,328,330 B1	12/2001	Haaser	280/645
D453,602 S	2/2002	Chang	D34/24
6,390,495 B1	5/2002	Cates	280/652
6,471,002 B1	10/2002	Weinerman	182/91
6,481,727 B1	11/2002	Stallbaumer	280/47.24
6,505,707 B1	1/2003	Berry	182/20
D475,167 S	5/2003	Hailston	D34/27
6,616,153 B1	9/2003	Matre et al.	280/47.29
2001/0045718 A1	11/2001	Boirum	280/47.26
2002/0073899 A1	6/2002	Chen	108/44

Primary Examiner—Kay H. Chin
(74) *Attorney, Agent, or Firm*—Kathy Mojibi Kavcioglu

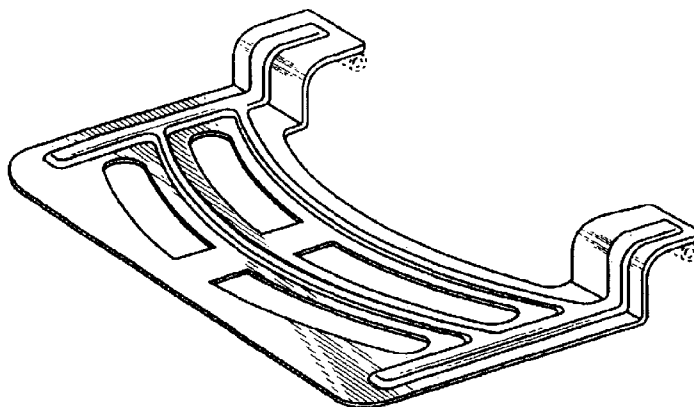
(57) **CLAIM**

The ornamental design for a support plate, as shown and described.

DESCRIPTION

FIG. 1 is a perspective view of a support plate showing our new design; the broken lines are for illustrative purposes only and form no part of the claimed design;
FIG. 2 is a left side view thereof;
FIG. 3 is a right side view thereof;
FIG. 4 is front view thereof;
FIG. 5 is a back side view thereof;
FIG. 6 is a top view thereof; and,
FIG. 7 is a bottom view thereof.

1 Claim, 2 Drawing Sheets



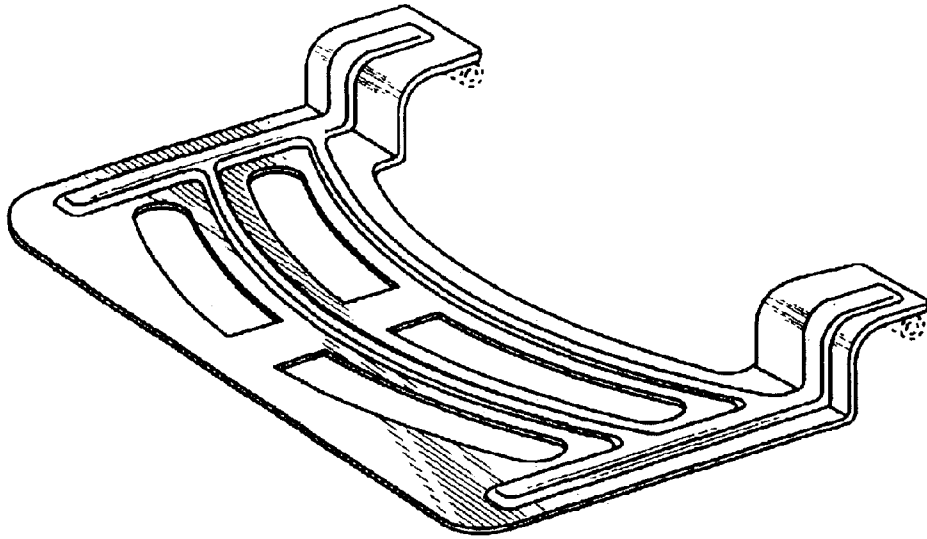


Fig. 1



Fig. 2



Fig. 3



Fig. 4

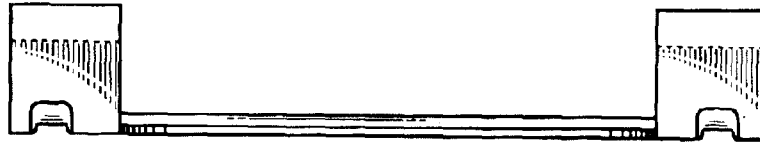


Fig. 5

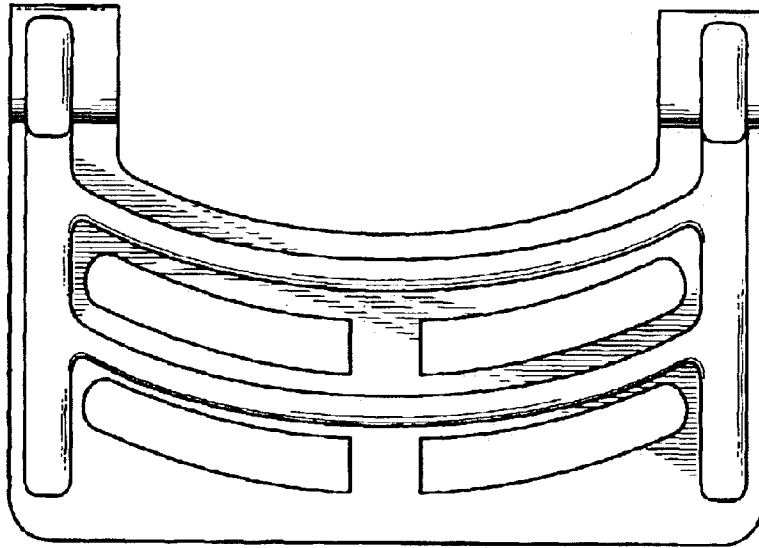


Fig. 6

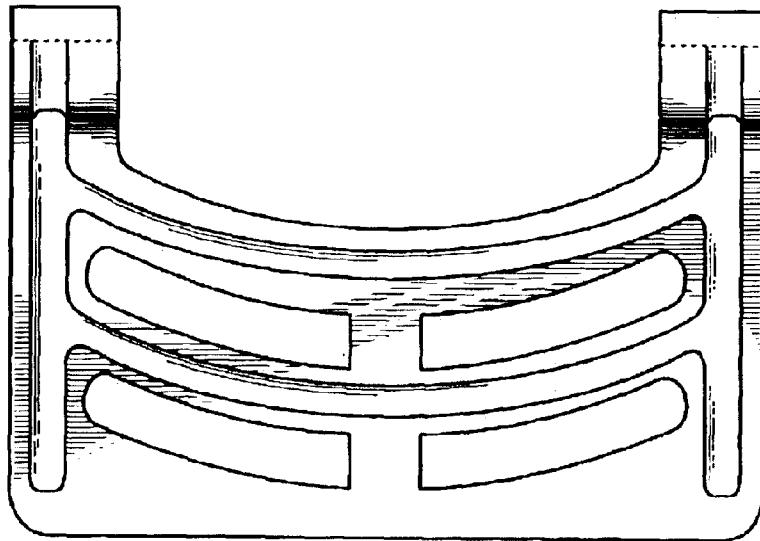


Fig. 7