



US0D1007286S

(12) **United States Design Patent**
Martin

(10) **Patent No.:** **US D1,007,286 S**

(45) **Date of Patent:** **** Dec. 12, 2023**

(54) **CABLE HANGER**

(74) *Attorney, Agent, or Firm* — Wissing Miller LLP

(71) Applicant: **Hubbell Incorporated**, Shelton, CT
(US)

(57) **CLAIM**

The ornamental design for a cable hanger, as shown and described.

(72) Inventor: **Evan Ronald Martin**, Litchfield, NH
(US)

DESCRIPTION

(73) Assignee: **Hubbell Incorporated**, Shelton, CT
(US)

FIG. 1 is a perspective view from a first side of the new design for a cable hanger in accordance with the present invention;

(**) Term: **15 Years**

FIG. 2 is a perspective view from a second side of the cable hanger shown in FIG. 1;

(21) Appl. No.: **29/843,962**

FIG. 3 is an end elevation view from a first end of the cable hanger shown in FIG. 1;

(22) Filed: **Jun. 24, 2022**

FIG. 4 is an end elevation view from a second end of the cable hanger shown in FIG. 1;

(51) **LOC (14) Cl.** **08-11**

FIG. 5 is a side elevation view of the first side of the cable hanger shown in FIG. 1;

(52) **U.S. Cl.**

USPC **D8/367**

FIG. 6 is a side elevation view of the second side of the cable hanger shown in FIG. 1;

(58) **Field of Classification Search**

USPC D8/367, 354, 349, 356, 395; D12/162

FIG. 7 is a top plan view of the cable hanger shown in FIG. 1;

(Continued)

FIG. 8 is a bottom plan view of the cable hanger shown in FIG. 1;

(56) **References Cited**

U.S. PATENT DOCUMENTS

310,938 A 1/1885 Gilliland

447,297 A 3/1891 Carpenter

(Continued)

FIG. 9 is a perspective view from a first side of another embodiment of the new design for a cable hanger in accordance with the present invention;

FIG. 10 is a perspective view from a second side of the cable hanger shown in FIG. 9;

FIG. 11 is an end elevation view from a first end of the cable hanger shown in FIG. 9;

FIG. 12 is an end elevation view from a second end of the cable hanger shown in FIG. 9;

FIG. 13 is a side elevation view of the first side of the cable hanger shown in FIG. 9;

FIG. 14 is a side elevation view of the second side of the cable hanger shown in FIG. 9;

FIG. 15 is a top plan view of the cable hanger shown in FIG. 9; and,

FIG. 16 is a bottom plan view of the cable hanger shown in FIG. 1.

FOREIGN PATENT DOCUMENTS

DE 1059998 6/1959

GB 1207741 A 10/1970

JP 11205963 A 7/1999

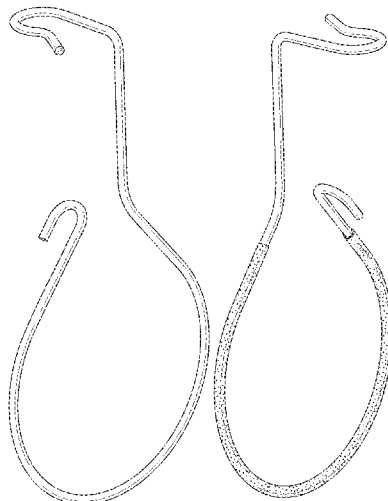
OTHER PUBLICATIONS

CAB Hooks, Hangers & Mine Safety Products Brochure, 2010 (24 pages).

(Continued)

Primary Examiner — Cynthia R Underwood

1 Claim, 8 Drawing Sheets



(58) **Field of Classification Search**
 CPC ... A47G 29/083; F16B 45/00; A63B 21/0557;
 B60P 7/0823
 See application file for complete search history.

(56) **References Cited**

U.S. PATENT DOCUMENTS

837,185 A 11/1906 Brown
 887,578 A 5/1908 Beyer
 1,331,248 A 2/1920 Dissel
 1,333,692 A * 3/1920 Wester A47G 25/0607
 248/217.1
 1,336,558 A 4/1920 Bancroft
 1,373,164 A 3/1921 Brenizer
 1,841,479 A 1/1932 Jessen
 1,869,407 A 8/1932 Brenizer
 1,967,134 A 7/1934 Short
 2,106,006 A 1/1938 Klein
 2,122,925 A 7/1938 Bins
 2,172,174 A 9/1939 Pierson
 2,384,440 A 9/1945 Carr
 2,718,545 A 9/1955 Thurman
 2,744,707 A 5/1956 Peterson
 2,934,594 A 4/1960 Flower
 3,120,044 A * 2/1964 Di Piano D06F 55/00
 24/551
 3,136,515 A 6/1964 Potruch
 3,219,302 A * 11/1965 Smith A47G 1/20
 248/905
 3,263,026 A * 7/1966 Kihs H01B 17/24
 248/302
 3,504,108 A * 3/1970 Kihs H01B 17/145
 248/302
 3,878,590 A 4/1975 Bolger
 3,883,934 A * 5/1975 Rochfort F16B 2/248
 248/302
 4,099,299 A 7/1978 Bruggert et al.
 4,232,847 A * 11/1980 Cooper E04G 17/14
 248/302
 4,245,806 A 1/1981 Vangreen
 D263,021 S 2/1982 Siegfried
 4,407,472 A 10/1983 Beck
 4,669,422 A 6/1987 Stuedler, Jr.
 4,742,979 A 5/1988 Syversten et al.
 4,795,856 A 1/1989 Farmer
 4,840,333 A 6/1989 Nakayama
 4,979,712 A * 12/1990 Rios A47K 10/04
 D8/395
 5,021,612 A 6/1991 Joffe
 5,054,728 A * 10/1991 Nigro, Jr. A47F 5/0823
 248/302
 5,303,885 A 4/1994 Wade
 5,577,699 A 11/1996 Gardner et al.
 5,651,521 A * 7/1997 Aberg A47B 57/56
 248/303
 D387,652 S 12/1997 Carlson, Jr.
 6,161,804 A 12/2000 Paske et al.
 D457,931 S * 5/2002 Kalat D8/394

6,565,048 B1 5/2003 Meyer
 7,175,147 B1 * 2/2007 Marks B65D 55/16
 248/302
 D570,294 S 6/2008 Newcomb
 7,748,675 B2 7/2010 Nestor et al.
 D648,208 S * 11/2011 Platt D8/367
 D651,066 S * 12/2011 Johnson, III D8/354
 D661,574 S * 6/2012 Platt D8/367
 D668,938 S * 10/2012 Morales D8/367
 8,387,292 B1 * 3/2013 Rasmus G09F 17/00
 40/604
 8,398,034 B2 3/2013 Lambert et al.
 D702,540 S * 4/2014 Kacines D8/367
 8,783,628 B2 7/2014 Jette
 D734,134 S * 7/2015 Bauerle D8/372
 9,800,028 B1 10/2017 Smith et al.
 10,082,225 B1 9/2018 Ramsey
 D874,906 S 2/2020 Ruddick et al.
 10,670,170 B2 6/2020 Shea et al.
 10,837,577 B2 11/2020 Arbuckle
 D911,826 S 3/2021 Maynard
 D919,417 S 5/2021 Wedding et al.
 D919,418 S 5/2021 Wedding et al.
 D922,182 S 6/2021 Wedding et al.
 D940,541 S 1/2022 Stubben et al.
 D945,253 S 3/2022 Stubben et al.
 D945,864 S 3/2022 Stubben et al.
 D949,112 S 4/2022 Wedding et al.
 D982,420 S * 4/2023 Hu D8/367
 2002/0066833 A1 6/2002 Ferrill et al.
 2005/0069398 A1 3/2005 Arbuckle
 2005/0087662 A1 4/2005 Jacobs
 2006/0016943 A1 * 1/2006 Thompson A47J 33/00
 248/156
 2008/0272269 A1 * 11/2008 Moravsky B44D 3/14
 248/692
 2011/0303799 A1 12/2011 Blanchard
 2015/0377388 A1 12/2015 Thackeray
 2016/0153587 A1 6/2016 Smith et al.
 2022/0060006 A1 2/2022 Naugler

OTHER PUBLICATIONS

Wiley Wire Management Solutions, 2014 (p. 1) and 2015 (pp. 2-6)
 (6 pages)
 PCT/US2018036325 International Search Report and Written Opin-
 ion dated Sep. 19, 2018 (13 pages)
 CAB Products Hooks and Hangers Brochure, Oct. 5, 2021 (1 page)
 Commonly owned, co-pending U.S. Appl. No. 29/843,957, filed
 Jun. 24, 2022.
 Commonly owned, co-pending U.S. Appl. No. 29/843,958, filed
 Jun. 24, 2022.
 Commonly owned, co-pending U.S. Appl. No. 29/843,959, filed
 Jun. 24, 2022.
 Commonly owned, co-pending U.S. Appl. No. 29/843,964, filed
 Jun. 24, 2022.
 Commonly owned, co-pending U.S. Appl. No. 29/843,966, filed
 Jun. 24, 2022.

* cited by examiner

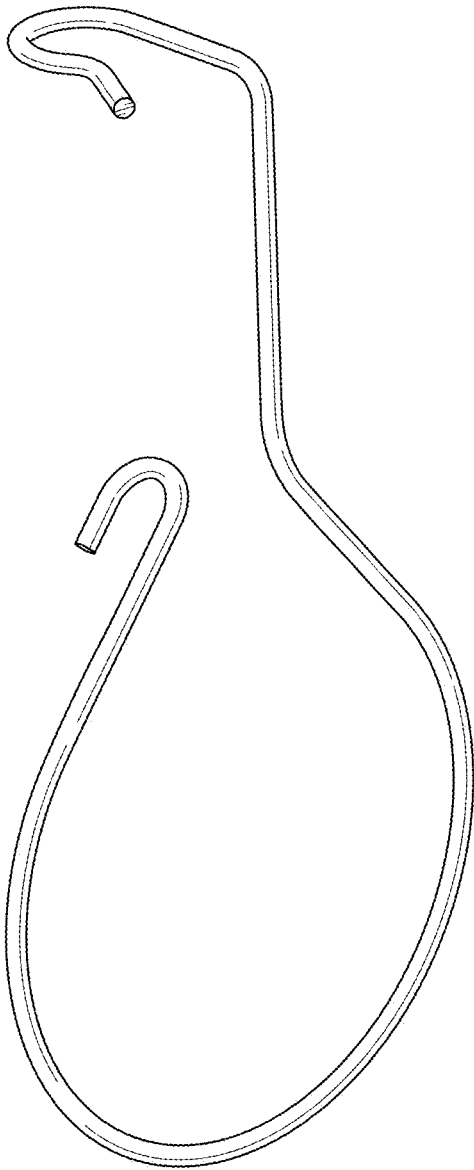


Fig. 1

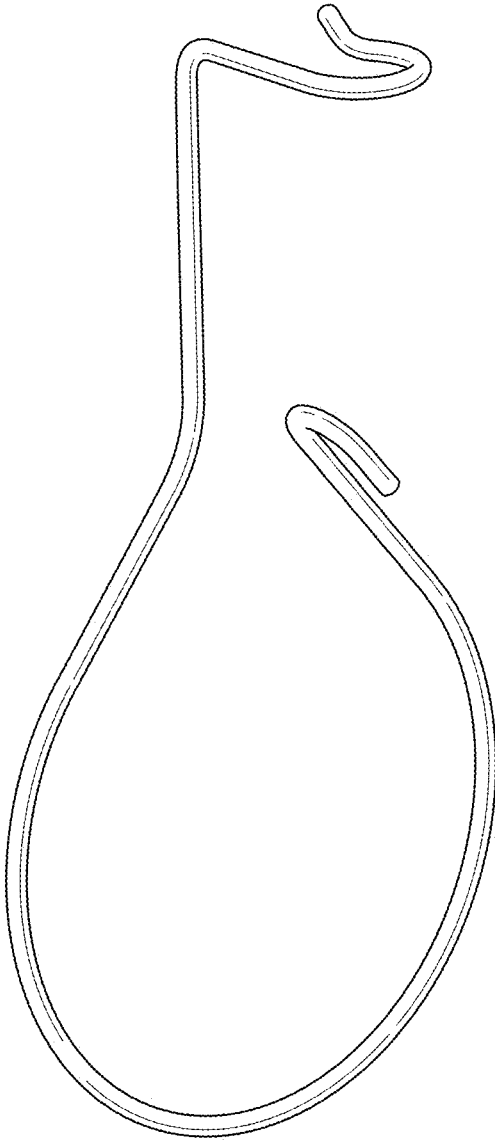


Fig. 2

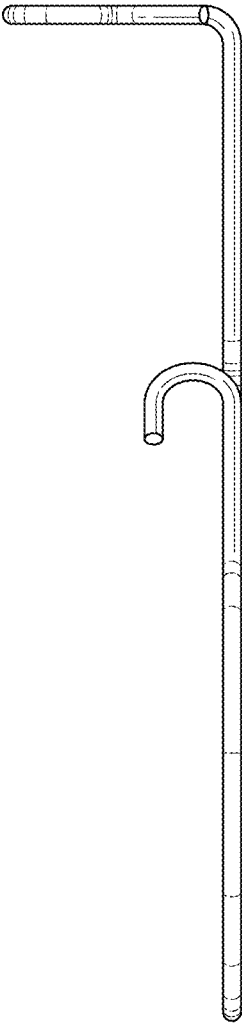


Fig. 3

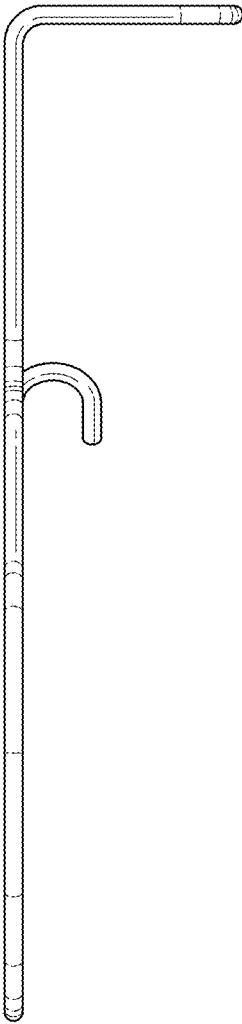


Fig. 4

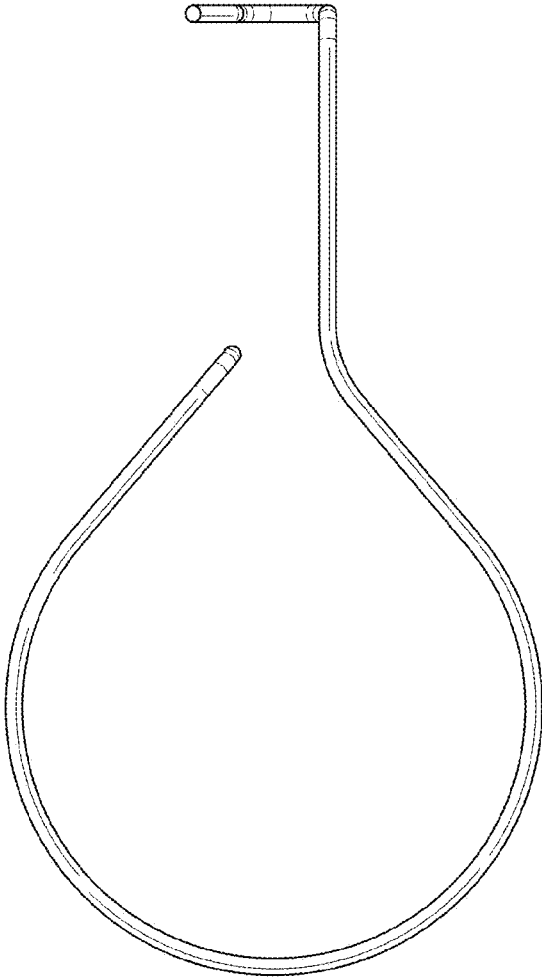


Fig. 5

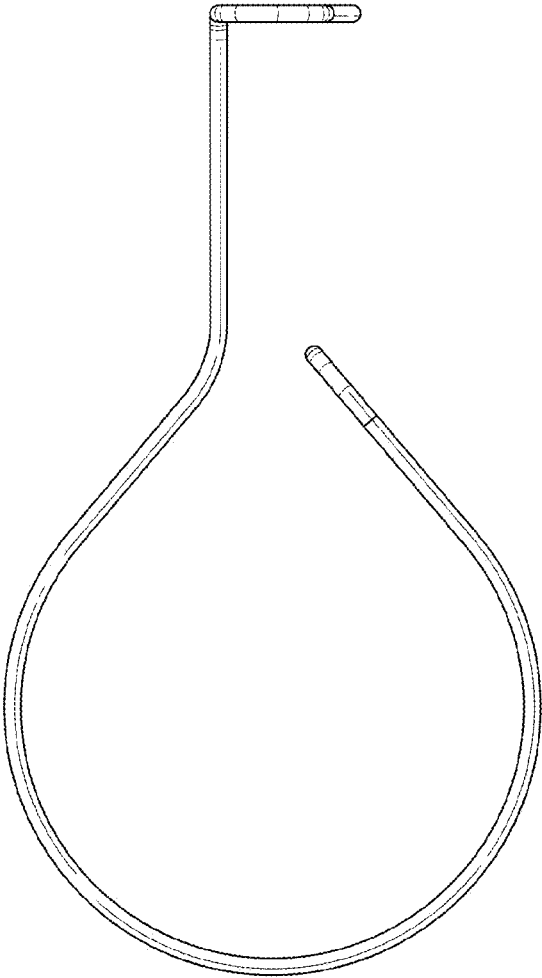


Fig. 6

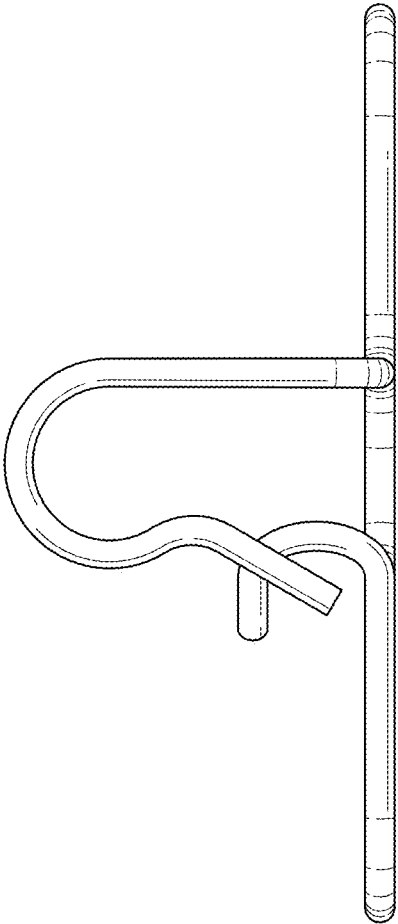


Fig. 7

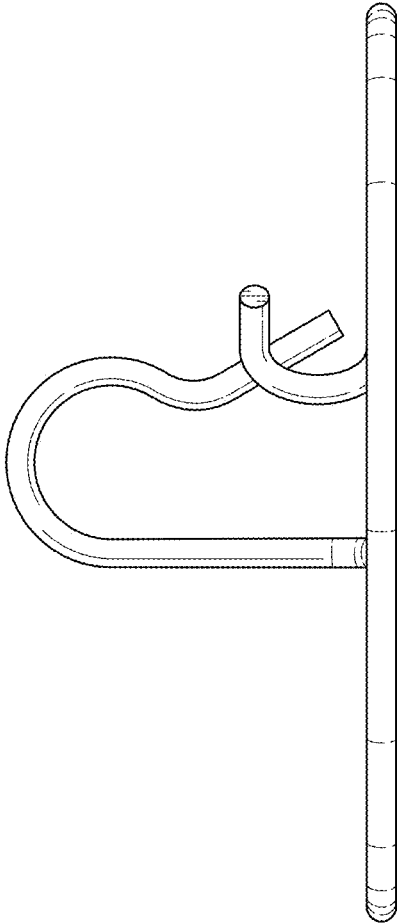


Fig. 8

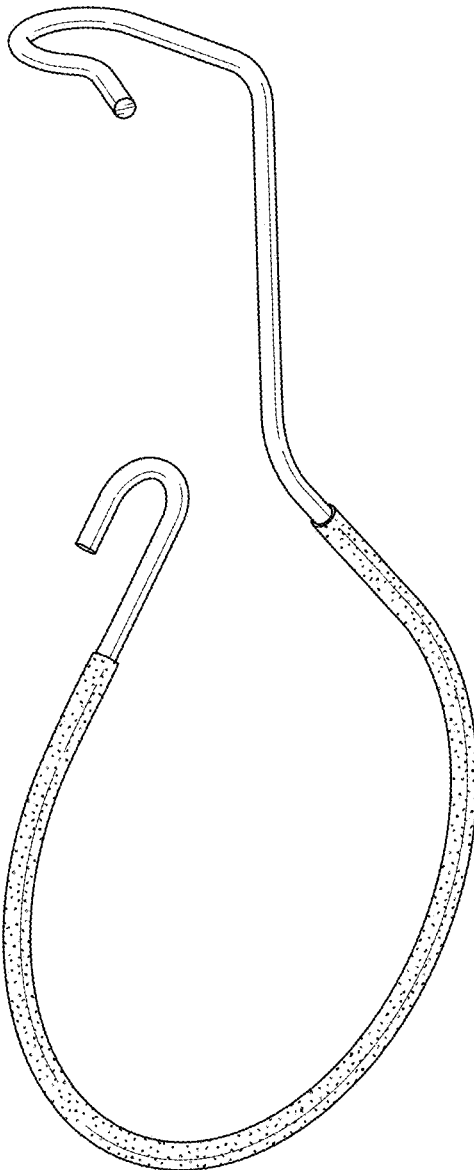


Fig. 9

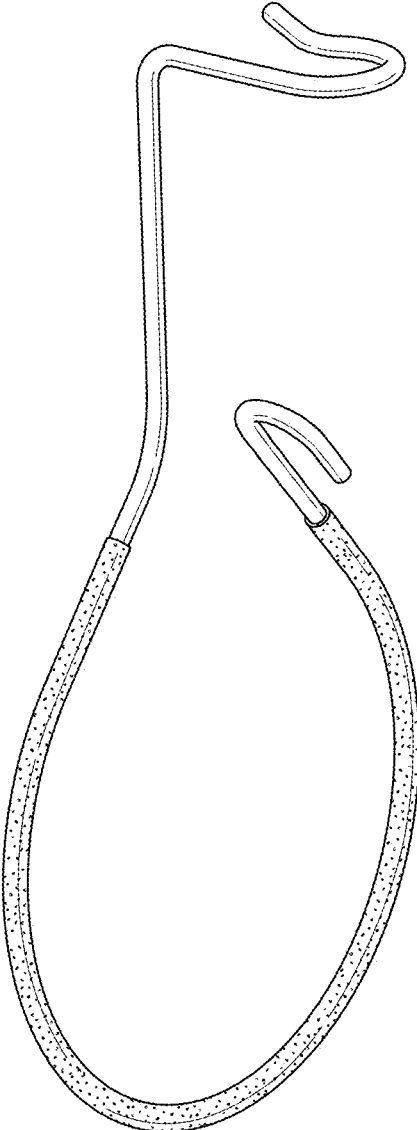


Fig. 10

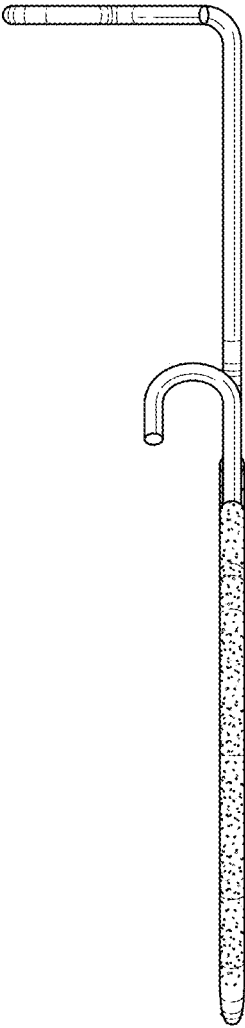


Fig. 11

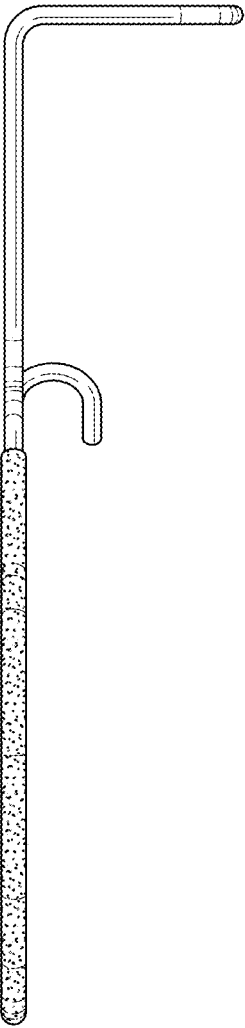


Fig. 12

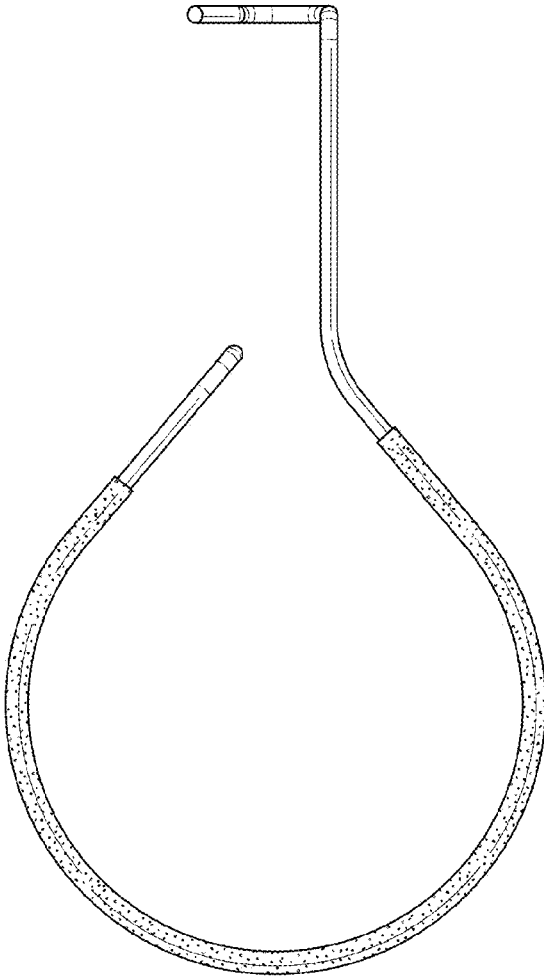


Fig. 13

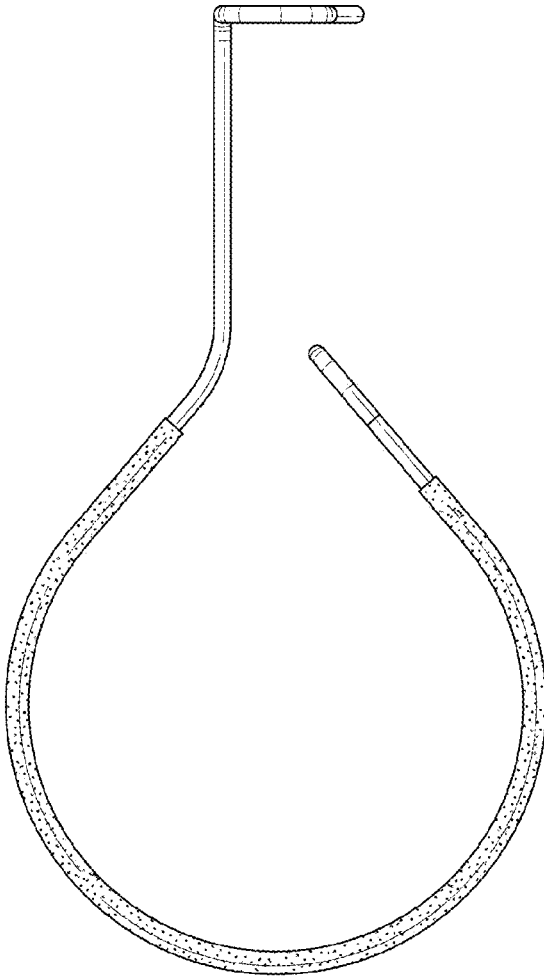


Fig. 14

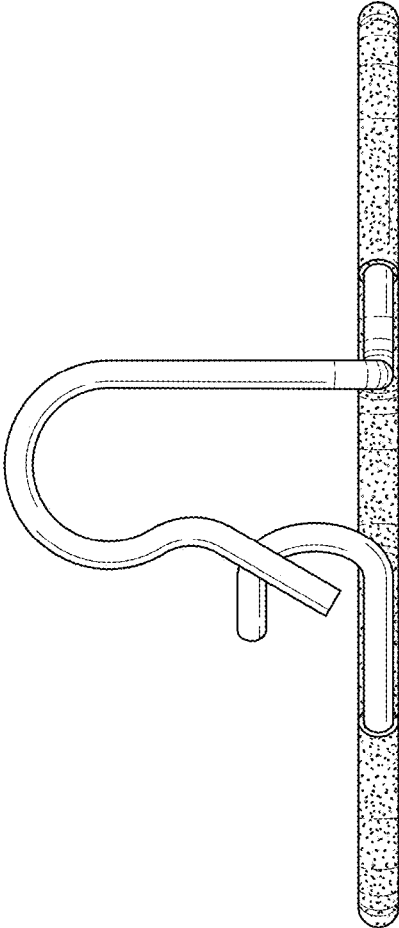


Fig. 15

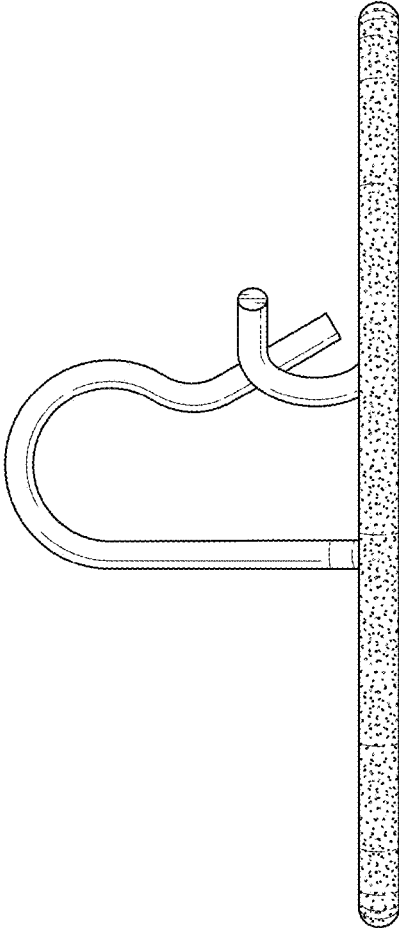


Fig. 16