



US00D868790S

(12) **United States Design Patent**
Weng

(10) **Patent No.:** **US D868,790 S**

(45) **Date of Patent:** **** Dec. 3, 2019**

(54) **TABLET CASE**

(71) Applicant: **Shenzhen Guangyipeng Technology Co., Ltd.**, Shenzhen, Guangdong (CN)

(72) Inventor: **Jie Weng**, Guangdong (CN)

(73) Assignee: **Shenzhen Guangyipeng Technology Co., Ltd.**, Shenzhen (CN)

(**) Term: **15 Years**

(21) Appl. No.: **29/671,815**

(22) Filed: **Nov. 29, 2018**

(51) **LOC (12) Cl.** **14-02**

(52) **U.S. Cl.**

USPC **D14/440**

(58) **Field of Classification Search**

USPC D14/440, 447, 250; 206/45.23, 320,
206/45.2; 361/679.55; 294/25; 224/218

CPC G06F 1/1628; G06F 1/1626; A47B 23/044
See application file for complete search history.

(56) **References Cited**

U.S. PATENT DOCUMENTS

D597,052 S *	7/2009	Kim	D14/138 AB
D634,314 S *	3/2011	Fahrendorff	D14/250
D649,144 S *	11/2011	Fathollahi	D14/250
D685,358 S *	7/2013	Armstrong	D14/250
D685,786 S *	7/2013	Seoc	D14/353
D690,292 S *	9/2013	Bibla	D14/250
D715,785 S *	10/2014	Jacob	D14/250
D719,144 S *	12/2014	Eulette	D14/250
D721,686 S *	1/2015	Jacob	D14/250
D733,154 S *	6/2015	Armstrong	D14/440
D733,696 S *	7/2015	Burgett	D14/250
D742,869 S *	11/2015	Odhwani	D14/250
D752,593 S *	3/2016	Diebel	G06F 1/1679 D14/440
D768,123 S *	10/2016	Armstrong	D14/250
D770,458 S *	11/2016	Corcoran	D14/440
D772,288 S *	11/2016	Montes	D14/488

D775,198 S *	12/2016	Montes	D14/489
D794,626 S *	8/2017	Armstrong	D14/250
D801,976 S *	11/2017	Li	D14/440
D806,082 S *	12/2017	Armstrong	D14/440
D807,892 S *	1/2018	Wang	D14/440

(Continued)

Primary Examiner — Cynthia R Underwood

(57) **CLAIM**

The ornamental design for a tablet case, as shown and described.

DESCRIPTION

FIG. 1 is a top, front and right side perspective view of a tablet case showing my new design;

FIG. 2 is a bottom, rear and left side perspective view thereof;

FIG. 3 is a front elevational view thereof;

FIG. 4 is a rear elevational view thereof;

FIG. 5 is a left side view thereof;

FIG. 6 is a right side view thereof;

FIG. 7 is a top plan view thereof;

FIG. 8 is a bottom plan view thereof;

FIG. 9 is a top, rear and right side perspective view showing the tablet case in an unfolded state of use;

FIG. 10 is a perspective view showing an unclaimed pen outside of the pen holder of the tablet case;

FIG. 11 is an exploded view of the tablet case;

FIG. 12 is an enlarged view of portion 12 in FIG. 2;

FIG. 13 is an enlarged view of portion 13 in FIG. 2;

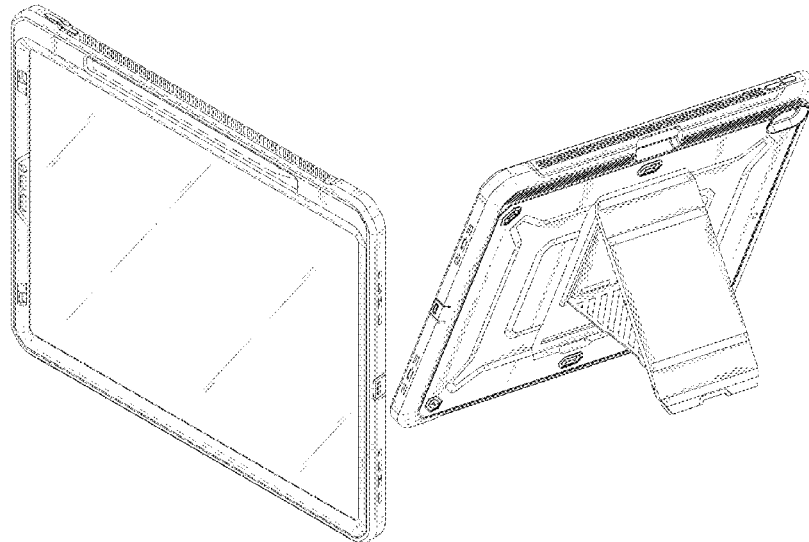
FIG. 14 is an enlarged view of portion 14 in FIG. 3;

FIG. 15 is an enlarged view of portion 15 in FIG. 4; and,

FIG. 16 is an enlarged view of portion 16 in FIG. 5.

The broken lines in the drawings depict portions of the tablet case and a pen which form no part of the claimed design. The oblique shade lines in the drawings represent a reflective surface. The broken lines marking enlarged portions form no part of the claimed design.

1 Claim, 16 Drawing Sheets



(56)

References Cited

U.S. PATENT DOCUMENTS

D825,571 S *	8/2018	Shannon, III	D14/440	2013/0223005 A1 *	8/2013	Smith	G06F 1/1628 361/679.55
D832,269 S *	10/2018	Cheng	D14/440	2013/0233762 A1 *	9/2013	Balaji	B65D 25/00 206/736
D832,270 S *	10/2018	Cheng	D14/440	2013/0241381 A1 *	9/2013	Hynecek	H05K 5/0217 312/240
D832,271 S *	10/2018	Cheng	D14/440	2014/0246340 A1 *	9/2014	Jiang	A45C 11/00 206/45.23
10,148,307 B2 *	12/2018	Shannon, III	H04B 1/3888	2015/0065208 A1 *	3/2015	Balaji	H04M 1/04 455/575.8
D843,377 S *	3/2019	Tang	D14/440	2015/0151887 A1 *	6/2015	Huang	A45C 11/00 224/191
D844,621 S *	4/2019	Chen	D14/440	2015/0237979 A1 *	8/2015	Huang	A45C 11/00 206/45.25
D845,305 S *	4/2019	Xu	D14/440	2015/0263776 A1 *	9/2015	Shyu	A45C 13/002 455/575.8
D846,552 S *	4/2019	Feng	D14/440	2015/0266610 A1 *	9/2015	Melmon	B65D 5/5206 206/45.23
D846,553 S *	4/2019	Feng	D14/440	2015/0280768 A1 *	10/2015	Huang	H04B 1/3888 455/575.8
D850,456 S *	6/2019	Armstrong	D14/440	2015/0296060 A1 *	10/2015	Gu	H04M 1/0235 455/575.4
D851,648 S *	6/2019	Tan	D14/440	2019/0142992 A1 *	5/2019	Davidson	C08G 18/10 424/445
D852,203 S *	6/2019	Rui	D14/447	2019/0144163 A1 *	5/2019	Lim	B65D 19/0028 108/53.5
2008/0029412 A1 *	2/2008	Ho	A47B 21/0314 206/320	2019/0149808 A1 *	5/2019	Ng	H04N 13/305 348/59
2008/0167095 A1 *	7/2008	Kim	H04M 1/0216 455/575.3	2019/0275714 A1 *	9/2019	Kanoh	B29C 45/14065
2009/0159763 A1 *	6/2009	Kim	F16M 13/00 248/174				
2009/0194209 A1 *	8/2009	De Filippis	A45C 11/00 150/107				
2011/0266194 A1 *	11/2011	Bau	A45C 11/00 206/736				
2011/0297566 A1 *	12/2011	Gallagher	F16M 11/105 206/320				
2012/0268891 A1 *	10/2012	Cencioni	G06F 1/1626 361/679.55				
2013/0088431 A1 *	4/2013	Ballagas	G06F 1/1626 345/168				

* cited by examiner

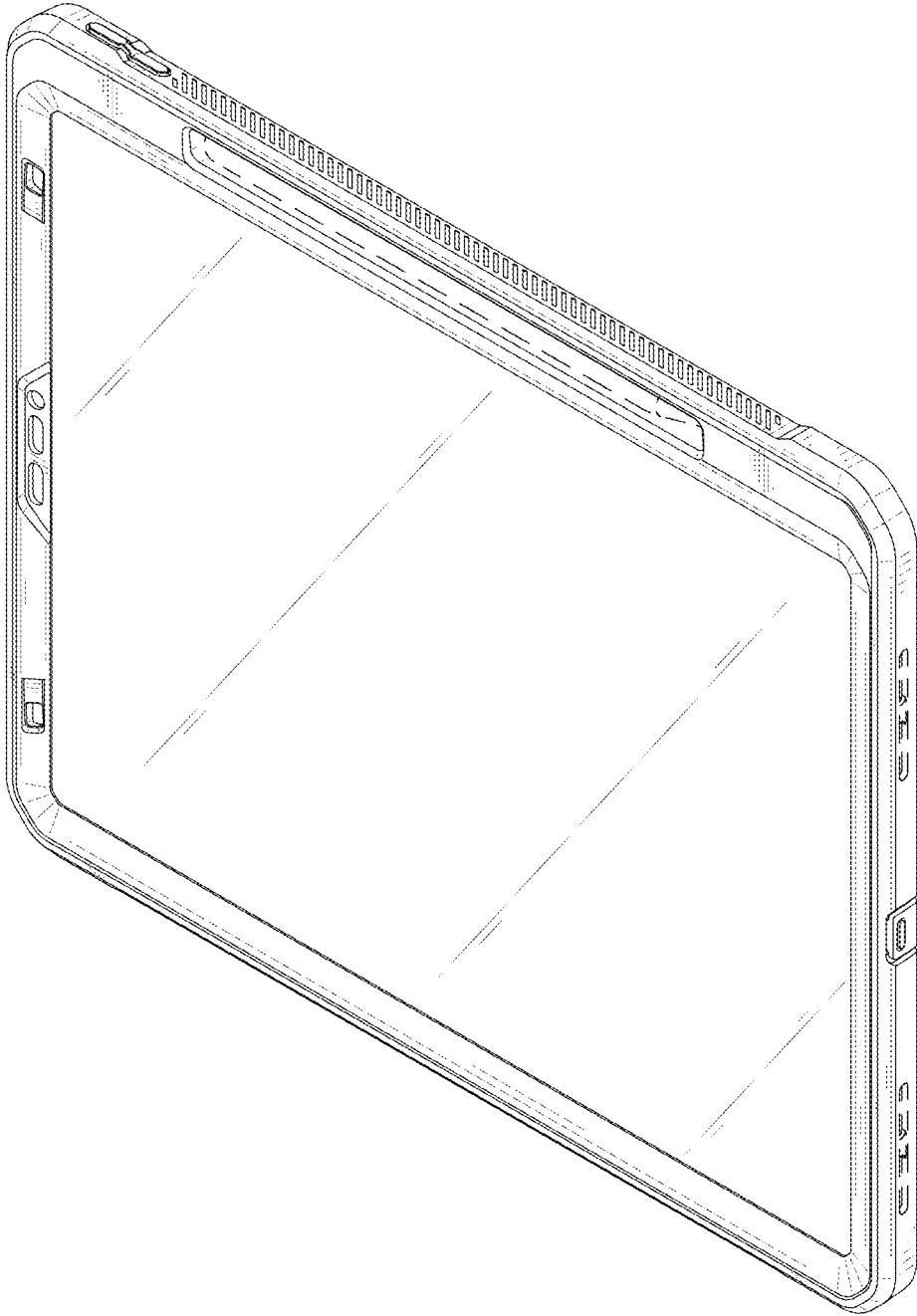


FIG. 1

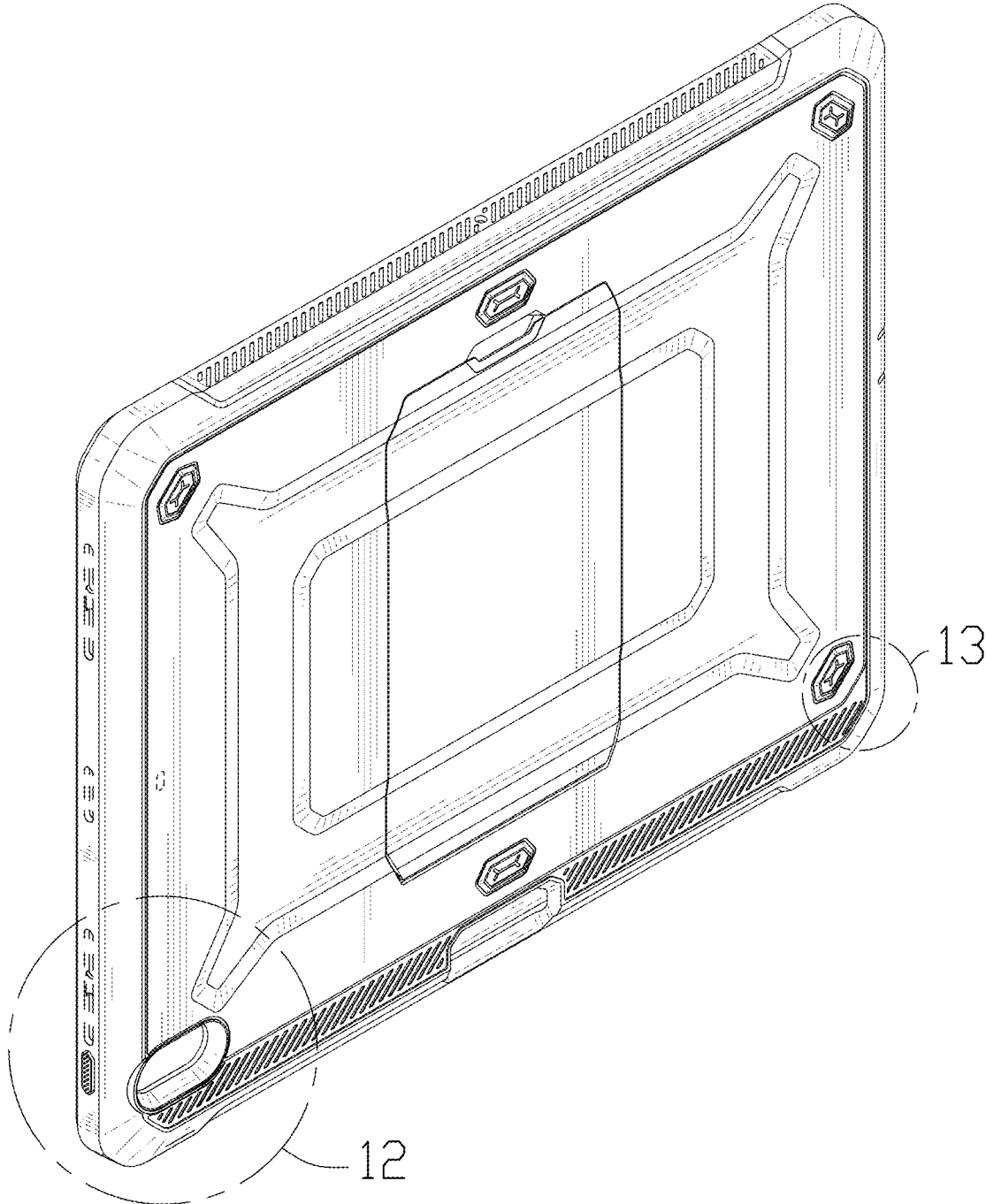


FIG. 2

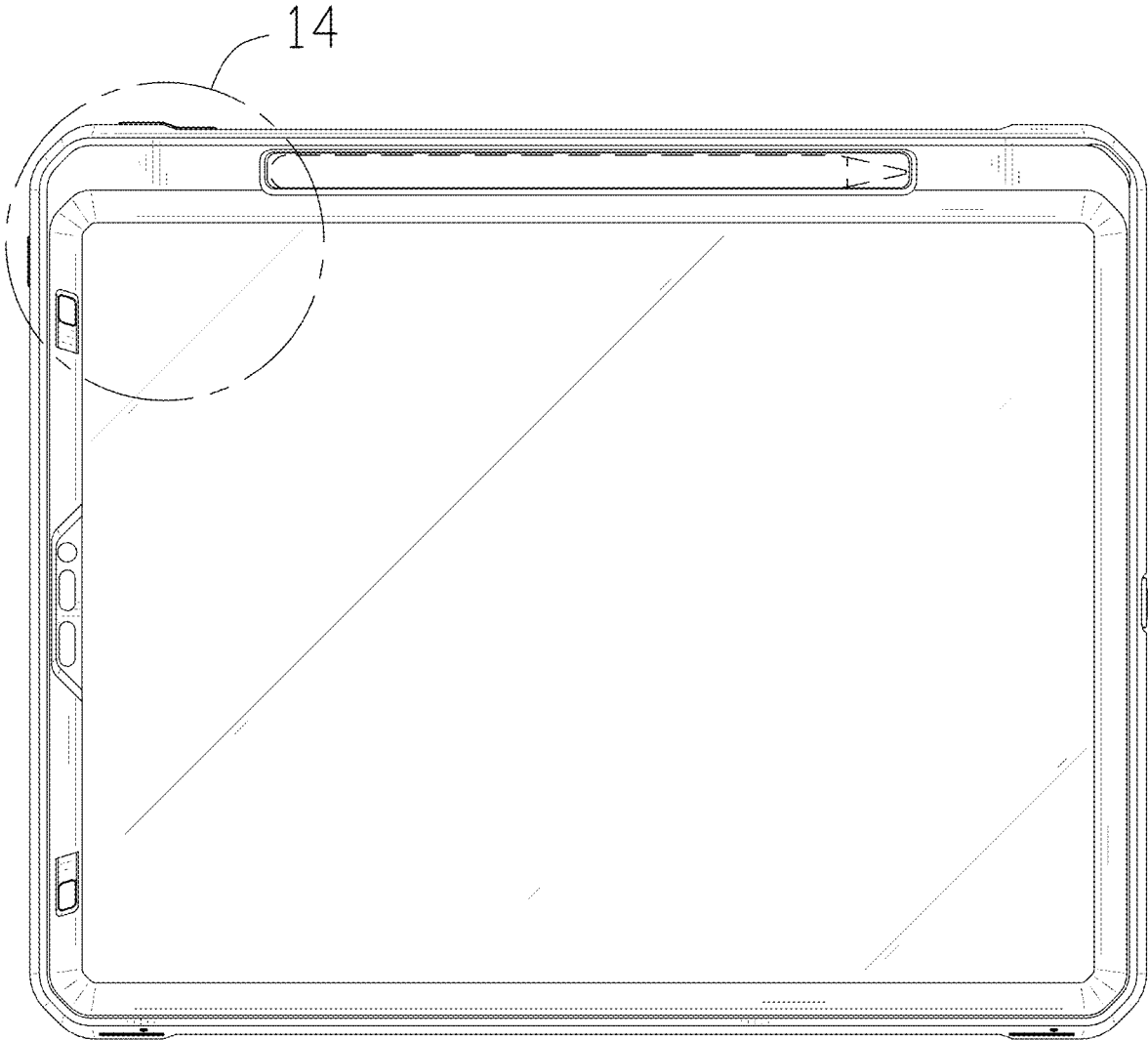


FIG. 3

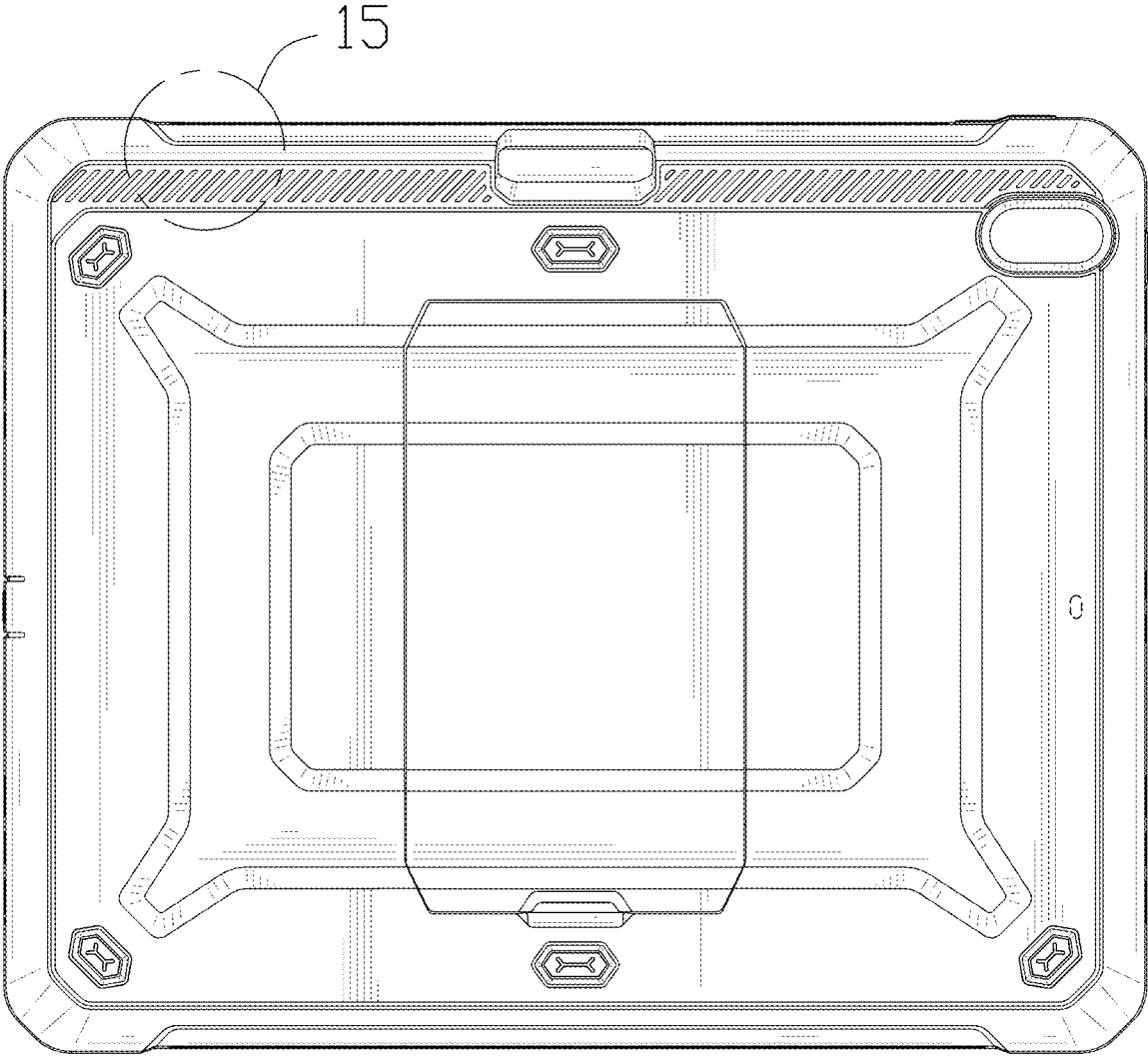


FIG. 4

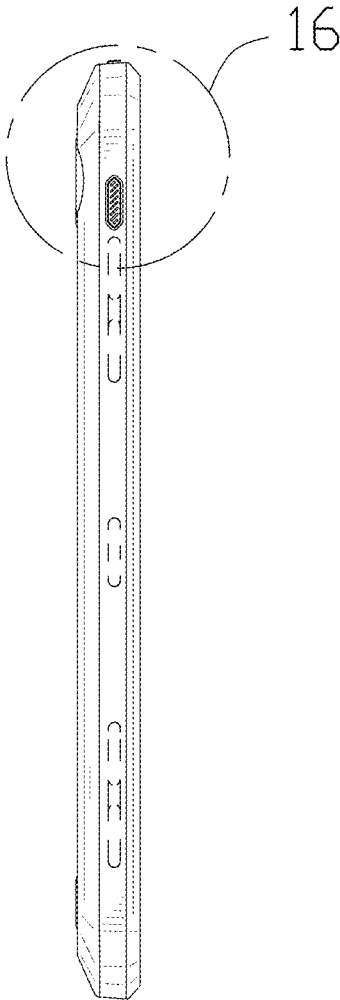


FIG. 5

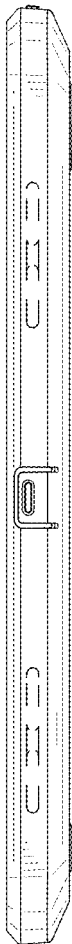


FIG. 6

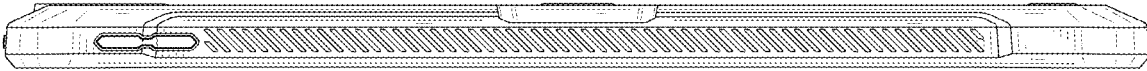


FIG. 7

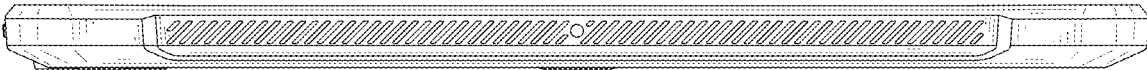


FIG. 8

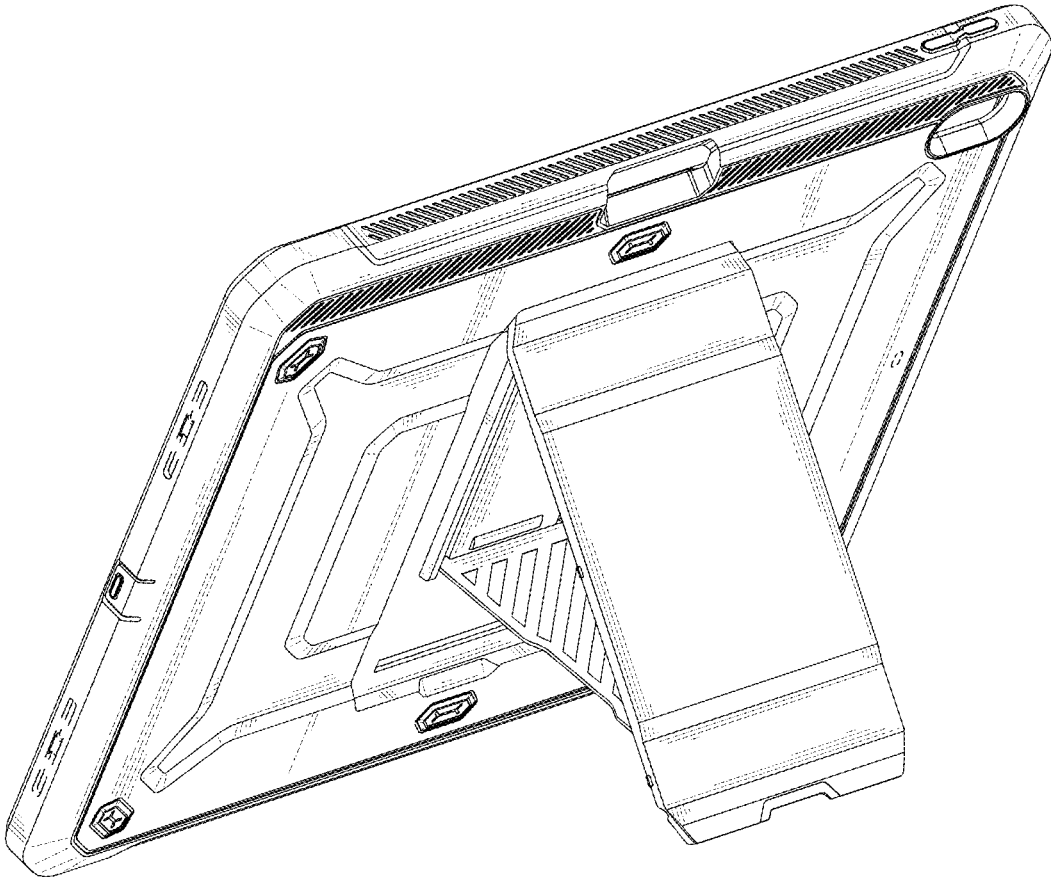


FIG. 9

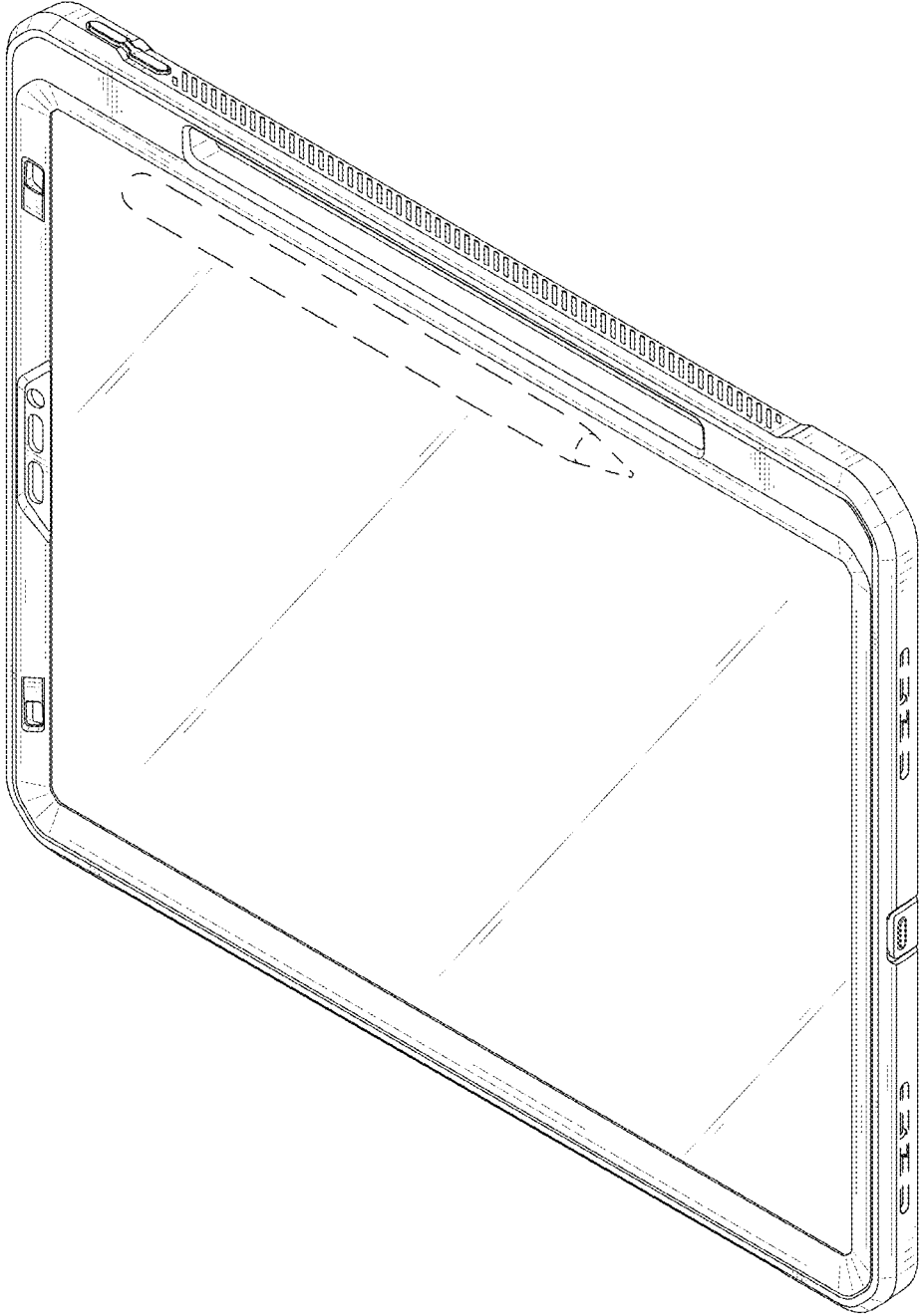


FIG. 10

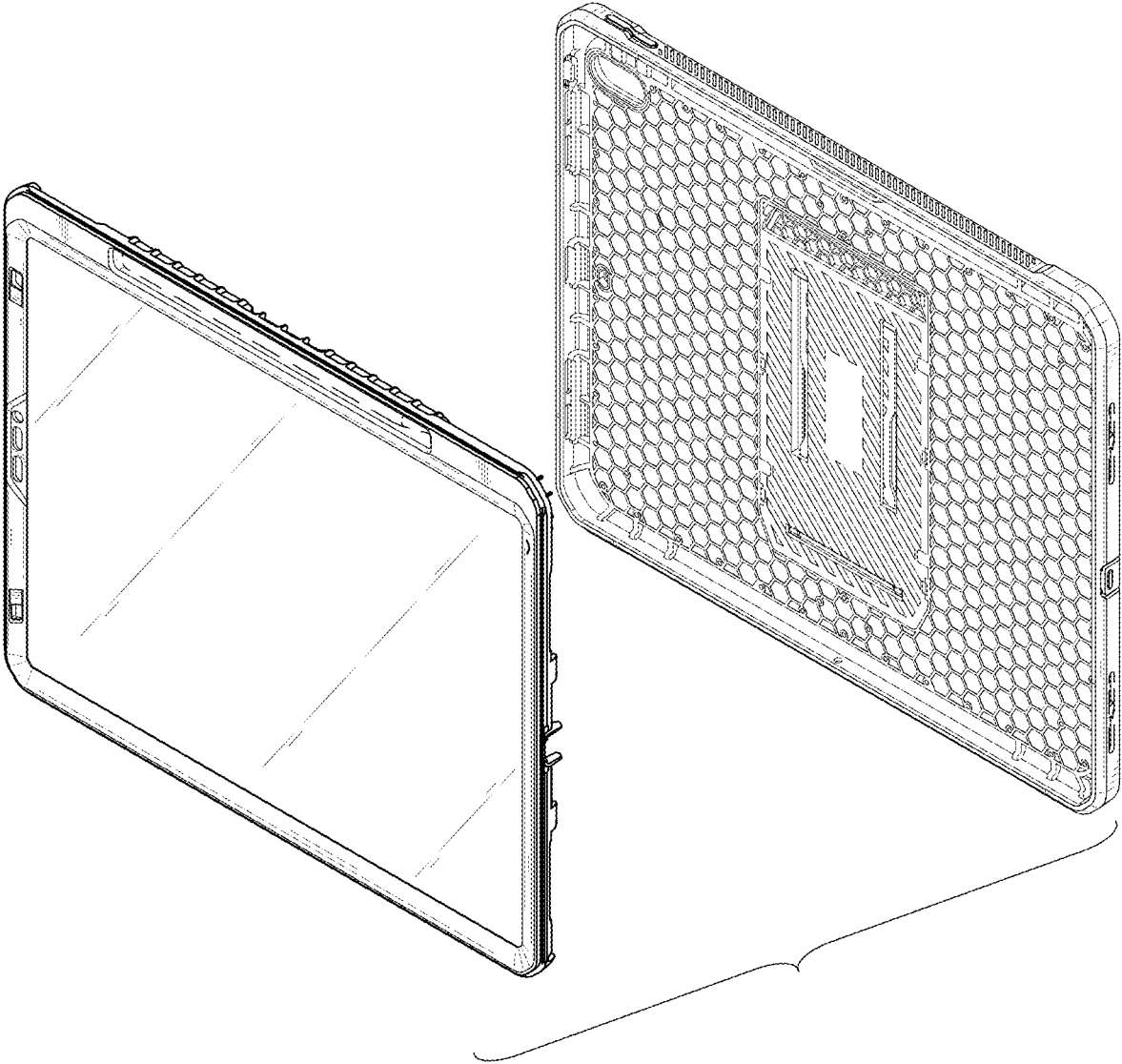


FIG. 11

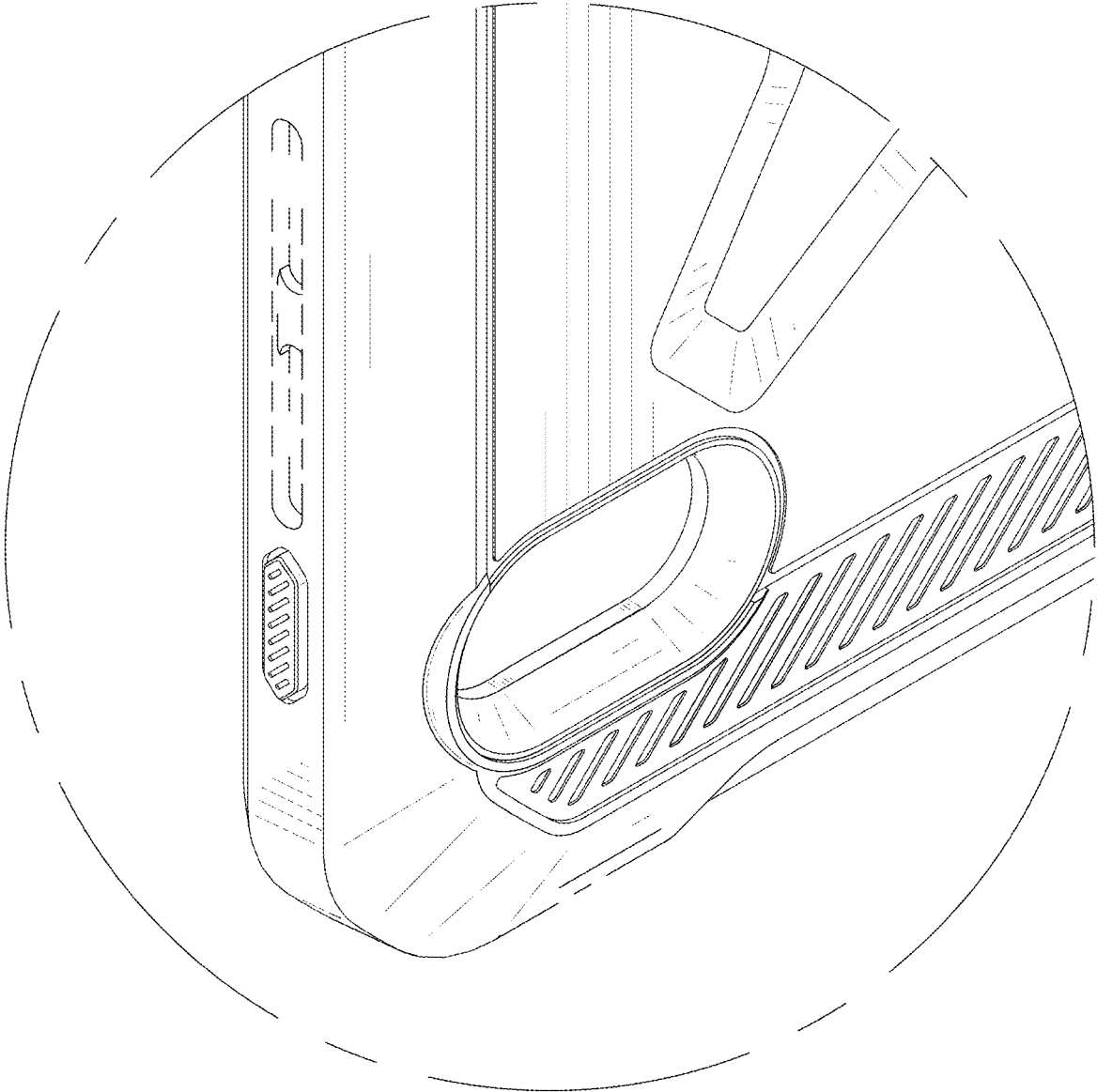


FIG. 12

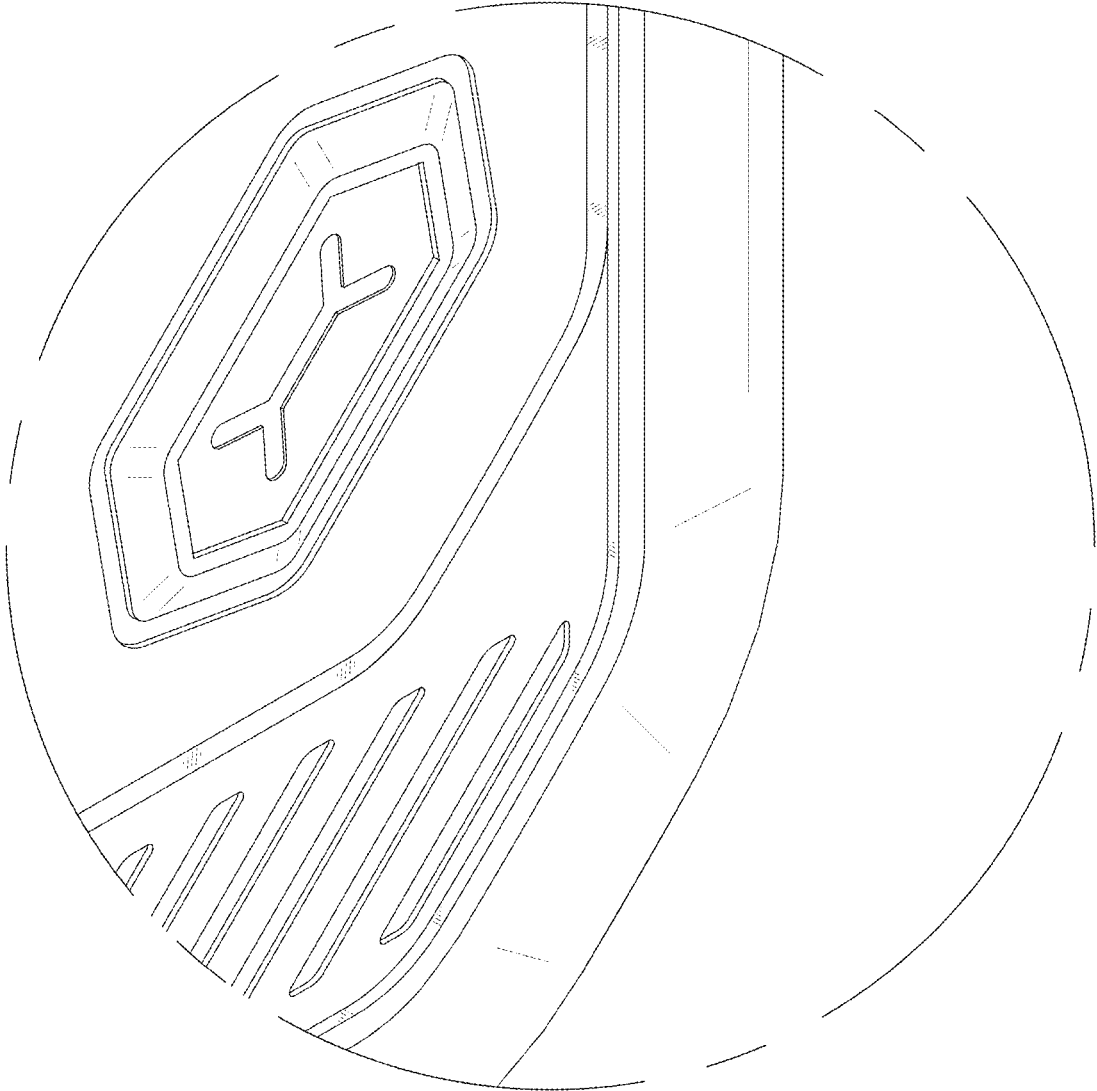


FIG. 13

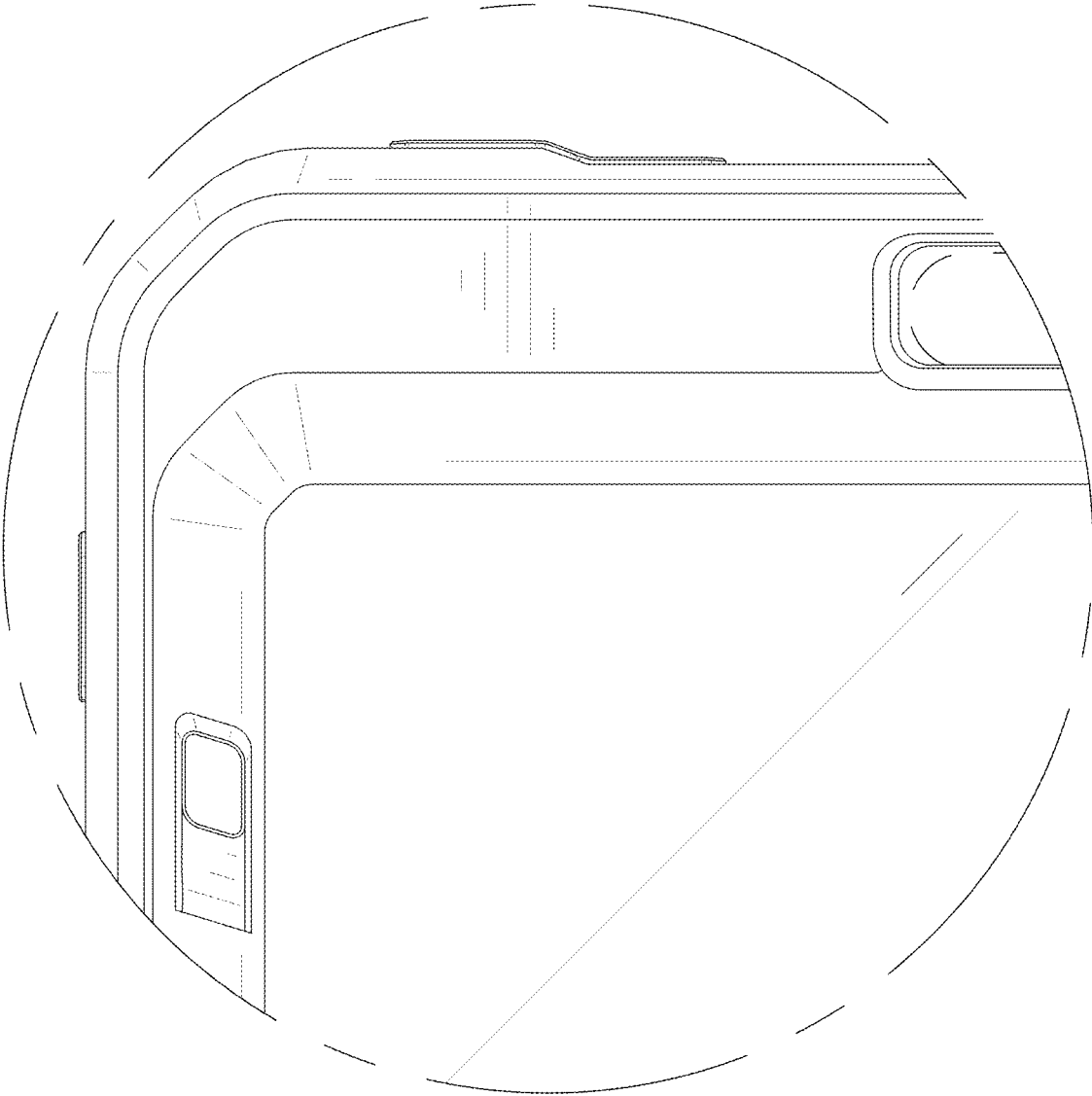


FIG. 14

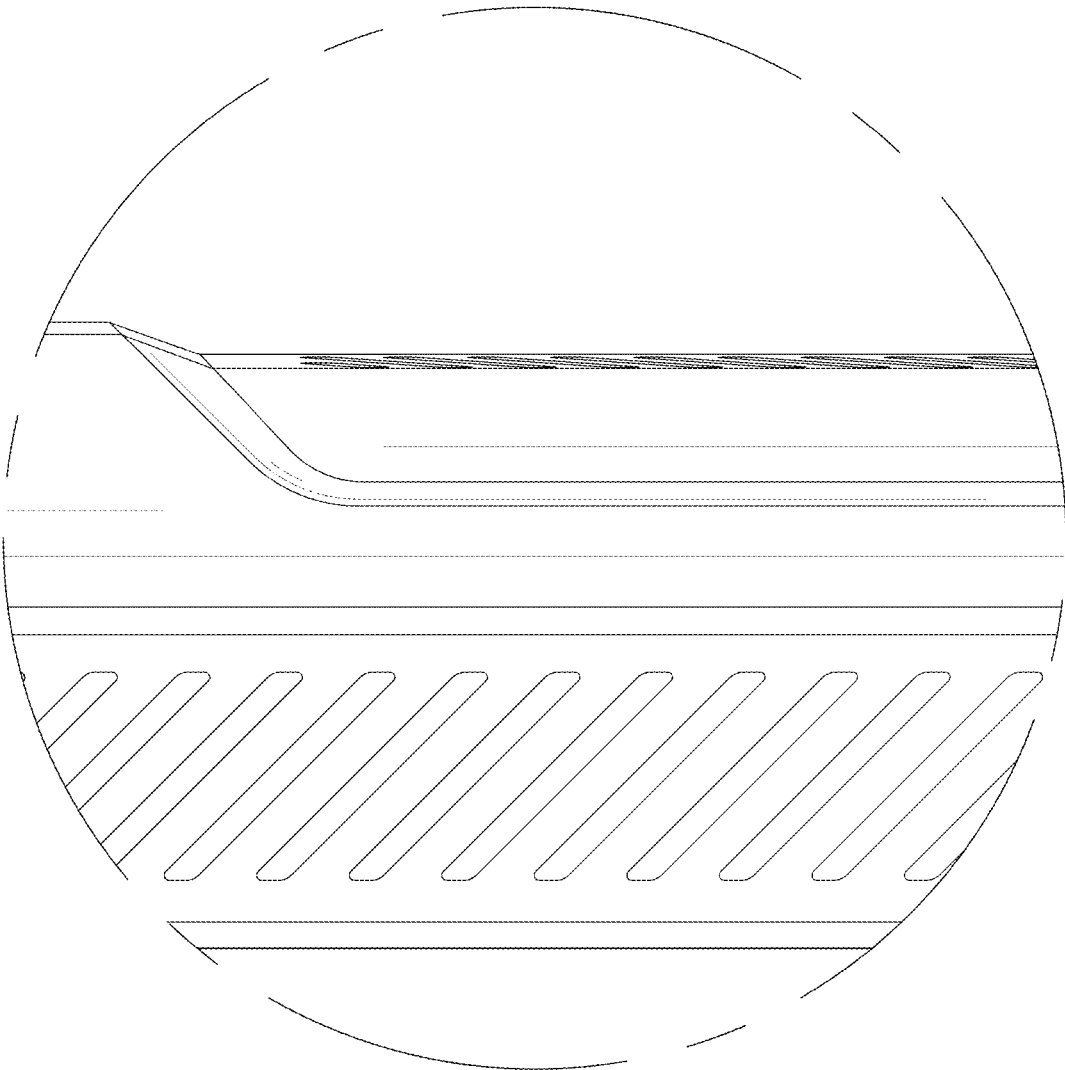


FIG. 15

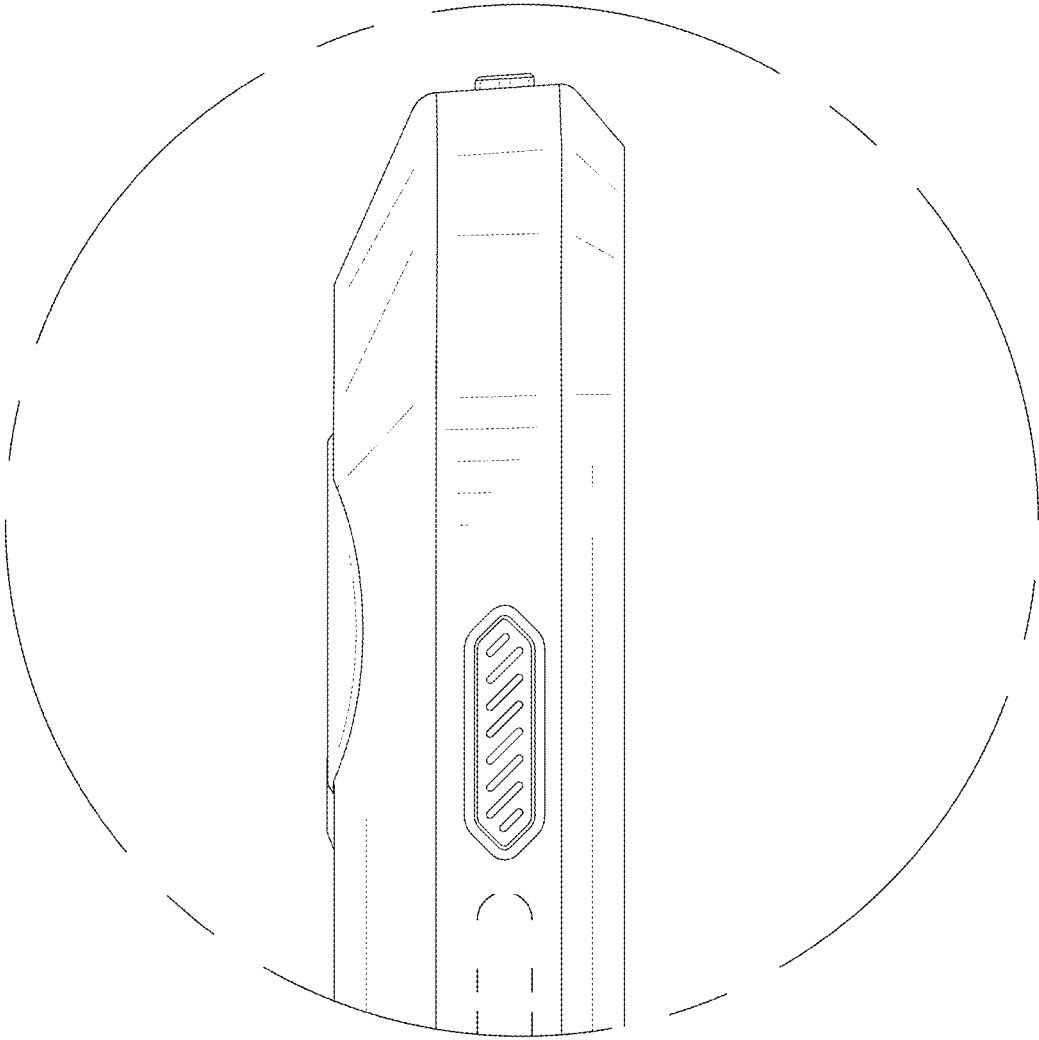


FIG. 16