

(19) World Intellectual Property Organization
International Bureau



(43) International Publication Date
21 June 2001 (21.06.2001)

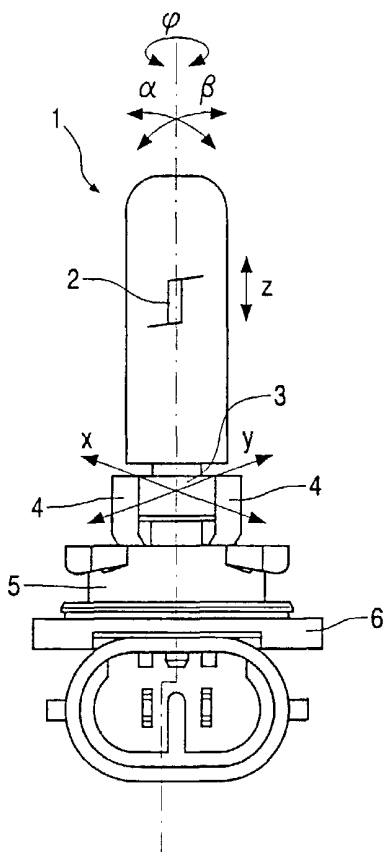
PCT

(10) International Publication Number
WO 01/45137 A3

- (51) International Patent Classification⁷: **H01J 5/60**
- (21) International Application Number: PCT/EP00/12722
- (22) International Filing Date:
14 December 2000 (14.12.2000)
- (25) Filing Language: English
- (26) Publication Language: English
- (30) Priority Data:
199 61 432.6 17 December 1999 (17.12.1999) DE
100 14 840.9 24 March 2000 (24.03.2000) DE
- (71) Applicant (for all designated States except US): **KONINKLIJKE PHILIPS ELECTRONICS N.V.** [NL/NL]; Groenewoudseweg 1, NL-5621 BA Eindhoven (NL).
- (72) Inventor; and
(75) Inventor/Applicant (for US only): **MEINECKE, Klaus, B.** [DE/NA]; Prof. Holstlaan 6, NL-5656 AA Eindhoven (NL).
- (74) Agent: **VOLMER, Georg**; Prof. Holstlaan 6, NL-5656 AA Eindhoven (NL).
- (81) Designated States (national): CN, JP, KR, US.
- (84) Designated States (regional): European patent (AT, BE, CH, CY, DE, DK, ES, FI, FR, GB, GR, IE, IT, LU, MC, NL, PT, SE, TR).
- Published:
— with international search report

[Continued on next page]

(54) Title: LAMP CAP, ASSEMBLY OF LAMP BURNER AND LAMP CAP, AND METHOD OF FASTENING A LAMP



(57) Abstract: A lamp cap with a spring cup for retaining a lamp burner (1), for which it is proposed that the spring cup has at least three spring legs (4) which each have substantially only one degree of freedom. The spring legs (4) are arranged such that the three degrees of freedom enable a displacement possibility of the spring cup in a displacement plane and are linearly independently aligned in this displacement plane.



WO 01/45137 A3



(88) Date of publication of the international search report:
24 January 2002

For two-letter codes and other abbreviations, refer to the "Guidance Notes on Codes and Abbreviations" appearing at the beginning of each regular issue of the PCT Gazette.

INTERNATIONAL SEARCH REPORT

International Application No
PCT/EP 00/12722

A. CLASSIFICATION OF SUBJECT MATTER
IPC 7 H01J5/60

According to International Patent Classification (IPC) or to both national classification and IPC

B. FIELDS SEARCHED
Minimum documentation searched (classification system followed by classification symbols)
IPC 7 H01J H01K F21V H01R

Documentation searched other than minimum documentation to the extent that such documents are included in the fields searched

Electronic data base consulted during the international search (name of data base and, where practical, search terms used)
EPO-Internal, WPI Data, PAJ

C. DOCUMENTS CONSIDERED TO BE RELEVANT

Category °	Citation of document, with indication, where appropriate, of the relevant passages	Relevant to claim No.
A	US 5 428 261 A (WITTIG CHRISTIAN ET AL) 27 June 1995 (1995-06-27) column 4, line 21 - line 49; claim 7; figure 3	1,5
A	US 5 957 569 A (HELBIG PETER ET AL) 28 September 1999 (1999-09-28) column 2, line 50 - line 60 column 3, line 63 -column 4, line 35 column 5, line 20 - line 33; figures	1,5
A	GB 1 032 163 A (PRESSAC LTD) 8 June 1966 (1966-06-08) figures	1,5

Further documents are listed in the continuation of box C. Patent family members are listed in annex.

° Special categories of cited documents :

- *A* document defining the general state of the art which is not considered to be of particular relevance
- *E* earlier document but published on or after the international filing date
- *L* document which may throw doubts on priority claim(s) or which is cited to establish the publication date of another citation or other special reason (as specified)
- *O* document referring to an oral disclosure, use, exhibition or other means
- *P* document published prior to the international filing date but later than the priority date claimed
- *T* later document published after the international filing date or priority date and not in conflict with the application but cited to understand the principle or theory underlying the invention
- *X* document of particular relevance; the claimed invention cannot be considered novel or cannot be considered to involve an inventive step when the document is taken alone
- *Y* document of particular relevance; the claimed invention cannot be considered to involve an inventive step when the document is combined with one or more other such documents, such combination being obvious to a person skilled in the art.
- * & * document member of the same patent family

Date of the actual completion of the international search 6 April 2001	Date of mailing of the international search report 30/07/2001
---	--

Name and mailing address of the ISA European Patent Office, P.B. 5818 Patentlaan 2 NL - 2280 HV Rijswijk Tel. (+31-70) 340-2040, Tx. 31 651 epo nl, Fax: (+31-70) 340-3016	Authorized officer Martín Vicente, M
--	---

INTERNATIONAL SEARCH REPORT

Information on patent family members

International Application No
PCT/EP 00/12722

Patent document cited in search report	Publication date	Patent family member(s)	Publication date
US 5428261 A	27-06-1995	DE 4223643 A	20-01-1994
		CA 2099687 A	18-01-1994
		EP 0580013 A	26-01-1994
		HU 65055 A	28-03-1994
		JP 6060801 A	04-03-1994
US 5957569 A	28-09-1999	AU 7619996 A	01-08-1997
		BR 9607821 A	07-07-1998
		CA 2215068 A	17-07-1997
		CZ 9702850 A	17-06-1998
		WO 9725733 A	17-07-1997
		DE 19681219 D	18-06-1998
		DE 59601558 D	06-05-1999
		EP 0815578 A	07-01-1998
		ES 2131967 T	01-08-1999
		HU 9800716 A	28-07-1998
		JP 11502365 T	23-02-1999
		PL 322115 A	05-01-1998
GB 1032163 A	08-06-1966	NONE	