

[54] HOUSING FOR AN ELECTRICAL CONNECTOR

[75] Inventors: Yasuhiro Nagasaka; Yasuo Hirayama, both of Toyota; Shigekazu Wakata, Yokkaichi; Shinichi Yamada, Yokkaichi; Nobuyuki Asakawa, Yokkaichi, all of Japan

[73] Assignee: Sumitomo Wiring Systems, Ltd., Yokkaichi, Japan

[**] Term: 14 Years

[21] Appl. No.: 339,640

[22] Filed: Apr. 18, 1989

[30] Foreign Application Priority Data

Oct. 20, 1988 [JP] Japan 63-41160

[52] U.S. Cl. D13/147

[58] Field of Search D13/133, 146, 147; 439/246-248, 259, 282, 296, 299, 345, 350, 351-353, 357, 358, 374, 529, 533, 575, 586, 587, 592-598, 600, 656, 668, 678, 679, 680, 682, 685, 686, 691, 692, 695, 701, 723, 724, 729

[56] References Cited

U.S. PATENT DOCUMENTS

3,179,738 4/1965 De Lyon D13/147 X

3,763,458	10/1973	Taormina et al.	439/358
4,749,372	6/1988	Betsui	439/587
4,884,978	12/1989	Inaba et al.	439/350 X
4,925,398	5/1990	Samejima et al.	439/350 X
4,975,075	12/1990	Jinno et al.	439/353

Primary Examiner—Susan J. Lucas
Assistant Examiner—J. Sincavage
Attorney, Agent, or Firm—Nils H. Ljungman & Associates

[57] CLAIM

The ornamental design of a housing for an electrical connector, as shown and described.

DESCRIPTION

FIG. 1 is a front perspective view of a housing for an electrical connector showing our new design. The broken line showing of the end apertures throughout the drawing figures is included for the purpose of illustrating environmental elements only and forms no part of the claimed design;

FIG. 2 is a front elevational view thereof;

FIG. 3 is a rear elevational view thereof;

FIG. 4 is a top plan view thereof;

FIG. 5 is a bottom plan view thereof;

FIG. 6 is a right side elevational view thereof, the left side elevational view being a mirror image;

FIG. 7 is a cross-sectional view thereof taken along line 7-7 of FIG. 2.

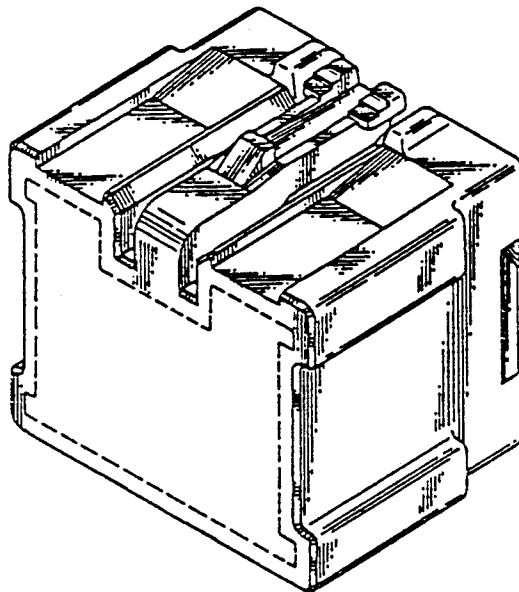


FIG. 1

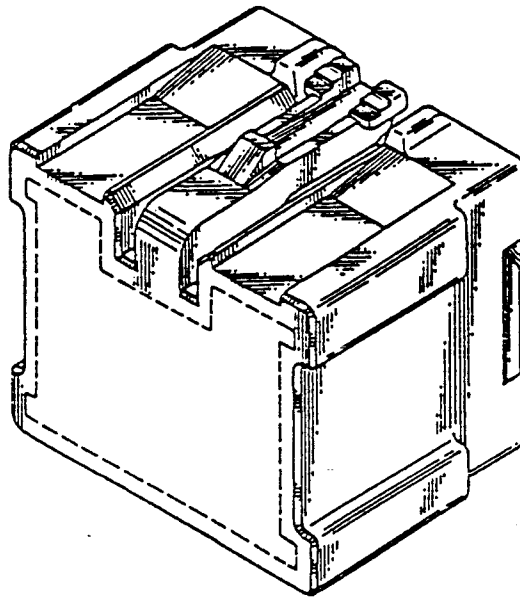
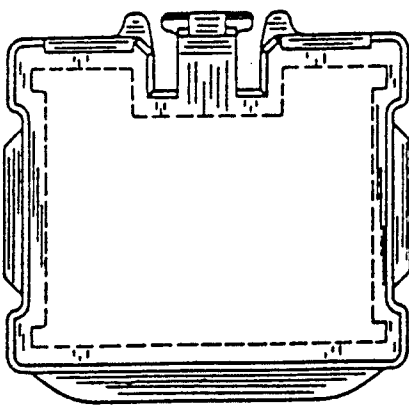


FIG. 2

7-7



7-j

FIG. 3

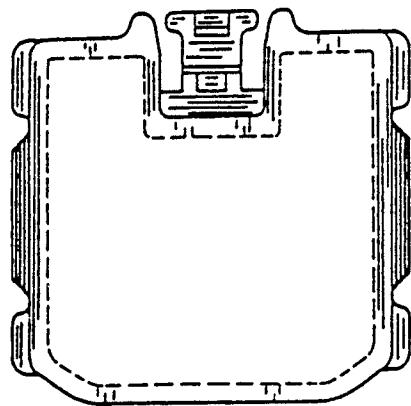


FIG. 4

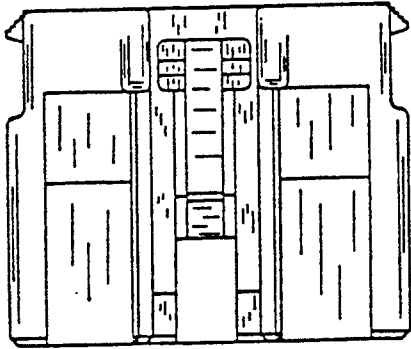


FIG. 5

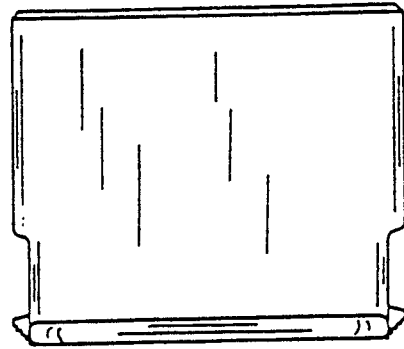


FIG. 6

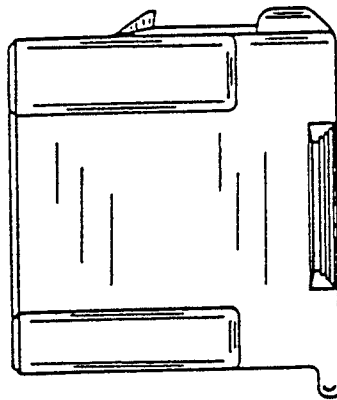


FIG. 7

