



US00D443157S

(12) **United States Design Patent**
Linder

(10) **Patent No.:** **US D443,157 S**

(45) **Date of Patent:** **** Jun. 5, 2001**

(54) **COMPUTER EQUIPMENT SUPPORT RACK FOR ATTACHMENT TO A WORKSTATION**

6,146,046 * 11/2000 Oberle 312/223.2

* cited by examiner

(75) **Inventor:** **Steven E. Linder**, Portland, OR (US)

Primary Examiner—Prabhakar Deshmukh

(73) **Assignee:** **Anthro Corporation**, Tualatin, OR (US)

(74) *Attorney, Agent, or Firm*—Stoel Rives LLP

(**) **Term:** **14 Years**

(57) **CLAIM**

I claim the ornamental design for a computer equipment support rack for attachment to a workstation, as shown and described.

(21) **Appl. No.:** **29/123,878**

DESCRIPTION

(22) **Filed:** **May 24, 2000**

(51) **LOC (7) Cl.** **14-02**

FIG. 1 is a perspective view of a computer equipment support rack in use with its intended environment shown in broken lines;

(52) **U.S. Cl.** **D6/509**

FIG. 2 is a front elevation view thereof;

(58) **Field of Search** D6/509, 329, 330, D6/360, 422, 425, 491; D34/7; 248/129, 420, 424, 429, 430; 312/249.8, 249.9, 249.11, 249.12, 223.2, 223.3; 108/50.02, 50.17, 143

FIG. 3 is a rear elevation view thereof;

FIG. 4 is a right side elevation view thereof;

FIG. 5 is a left side elevation view thereof;

FIG. 6 is a top plan view thereof;

FIG. 7 is a bottom plan view thereof;

(56) **References Cited**

U.S. PATENT DOCUMENTS

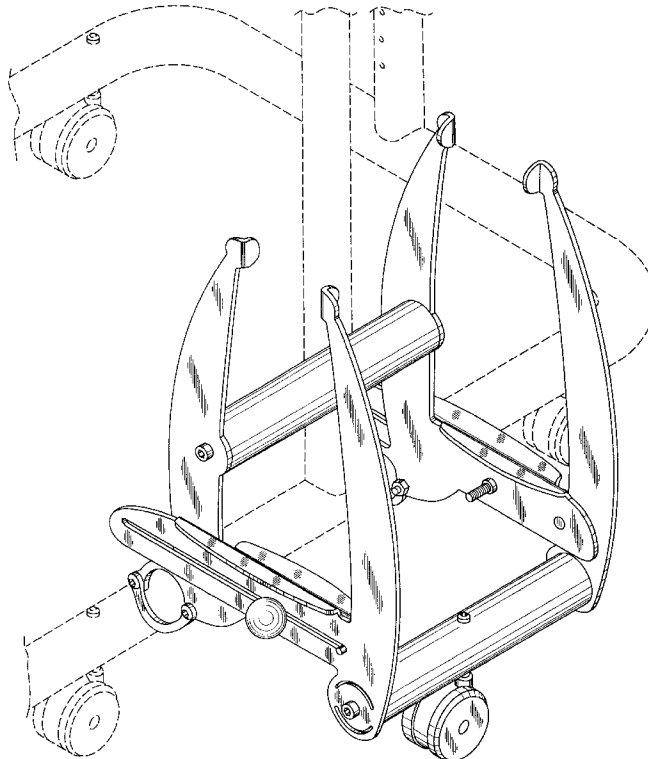
D. 374,563	*	10/1996	Simon et al.	D6/422
D. 387,218	*	12/1997	Miller et al.	D6/425
D. 407,233	*	3/1999	Naas et al.	D6/425
4,428,631	*	1/1984	Cope et al.	312/223.3
4,755,009	*	7/1988	Price et al.	248/139
5,697,686	*	12/1997	Miller et al.	108/143
5,806,943	*	9/1998	Dell et al.	312/223.3
6,076,903	*	6/2000	Vander Park 108/50.02 X	

FIG. 8 is a perspective view of a second embodiment of the computer equipment support rack of FIGS. 1-7 in use with its intended environment shown in broken lines;

FIG. 9 is a front elevation view of the second embodiment; and,

FIG. 10 is a rear elevation view of the second embodiment. The broken lines in FIGS. 1-10 are illustrative of an environmental structure only and form no part of the claimed design.

1 Claim, 6 Drawing Sheets



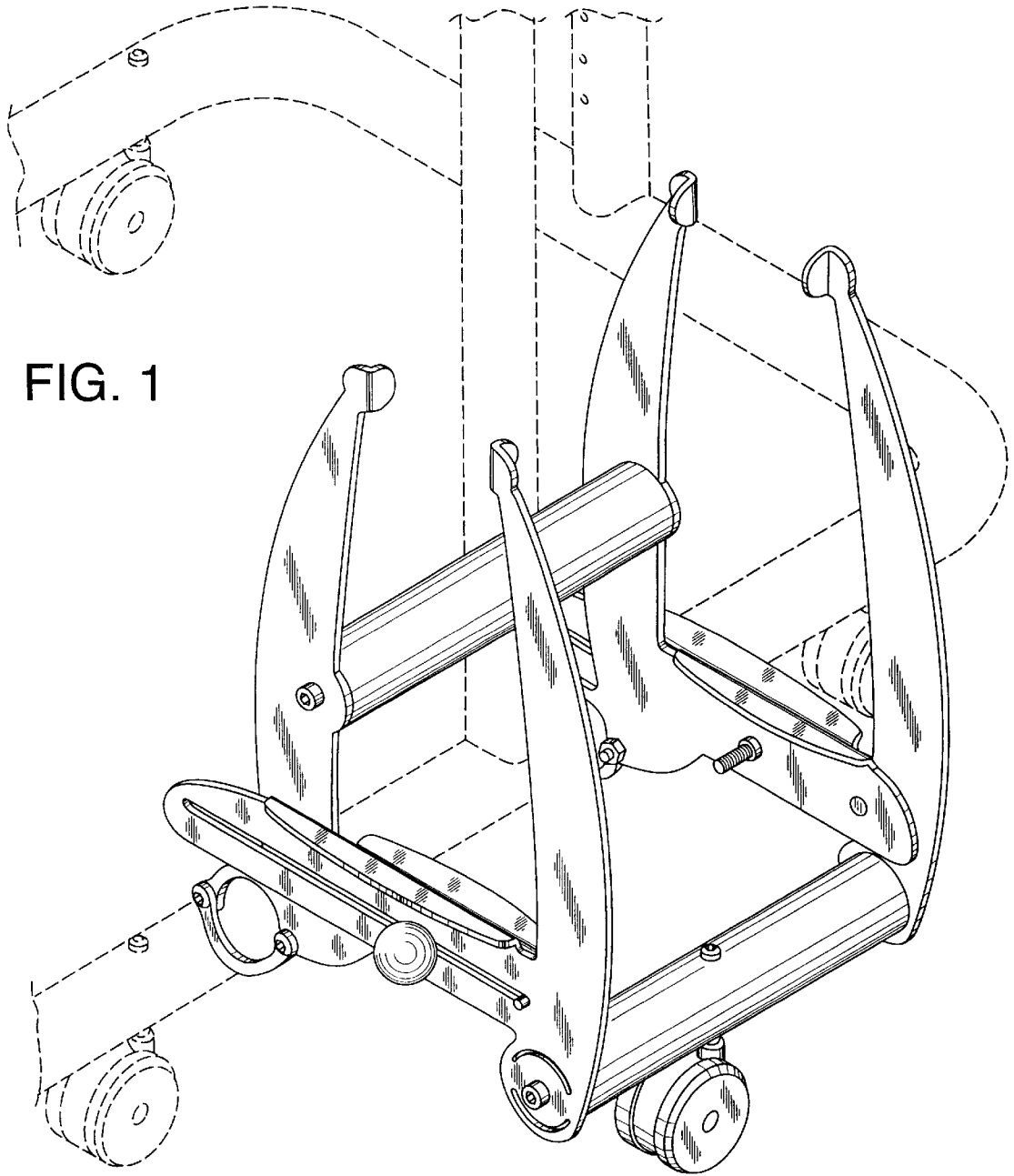


FIG. 1

FIG. 2

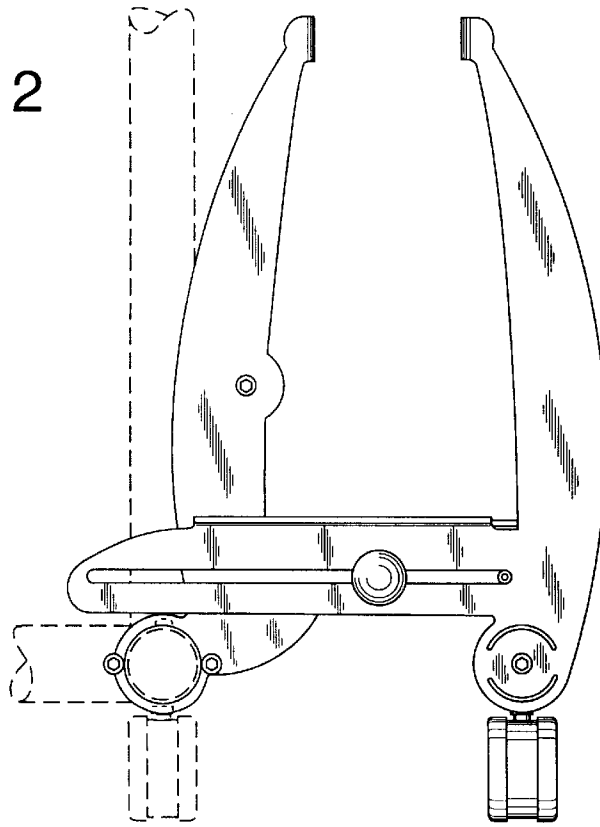


FIG. 3

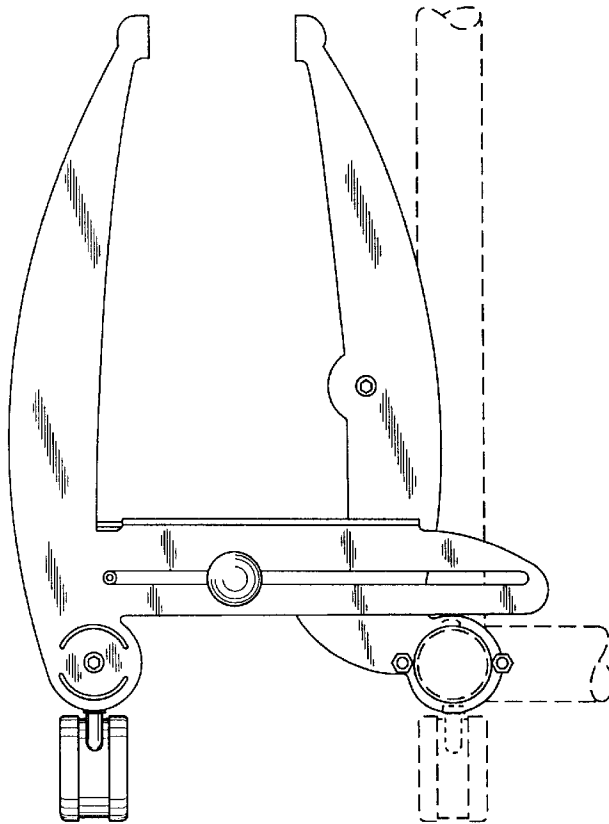


FIG. 4

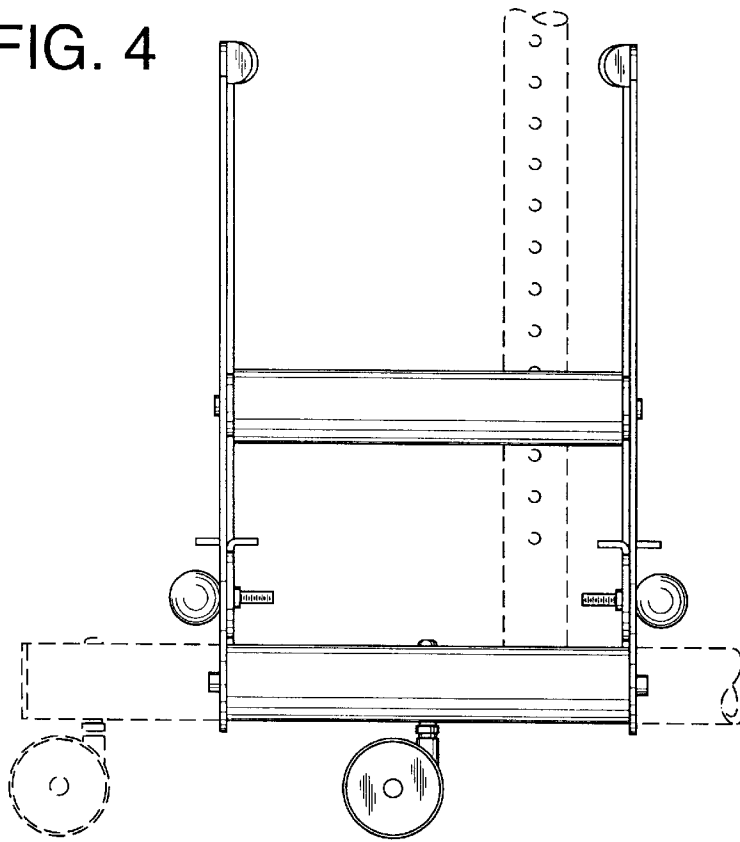


FIG. 5

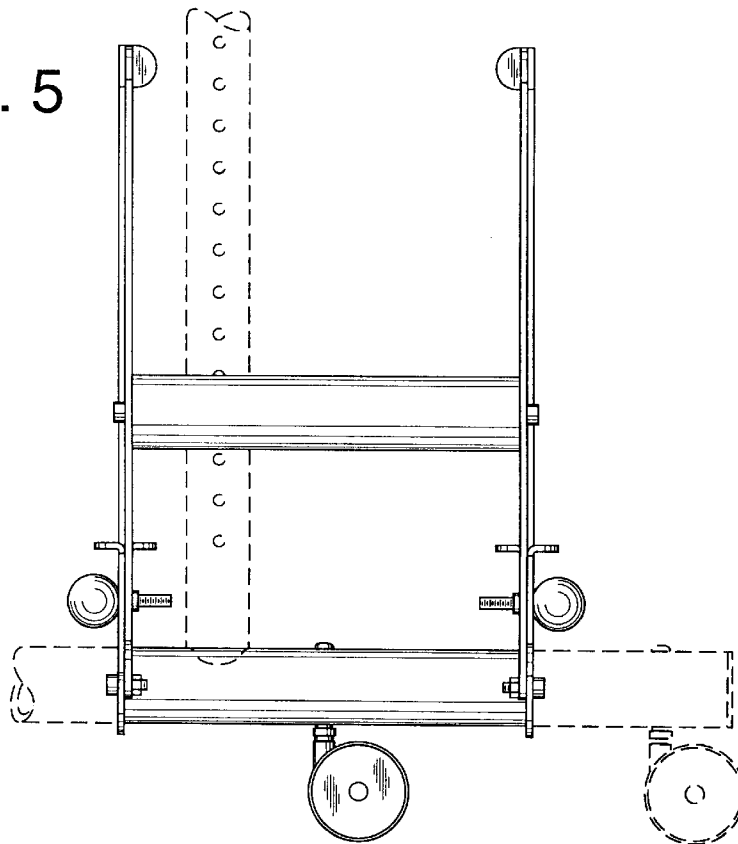


FIG. 6

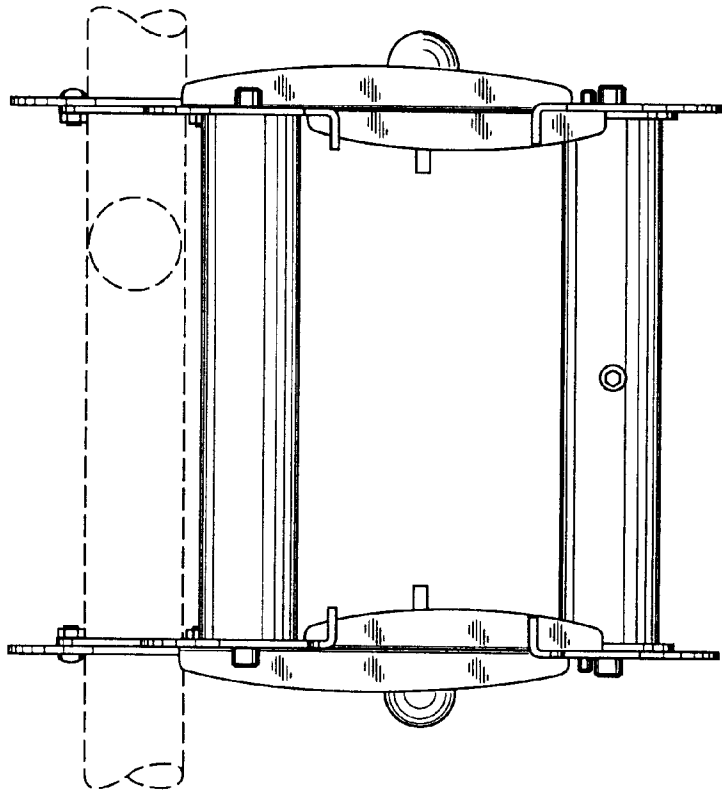
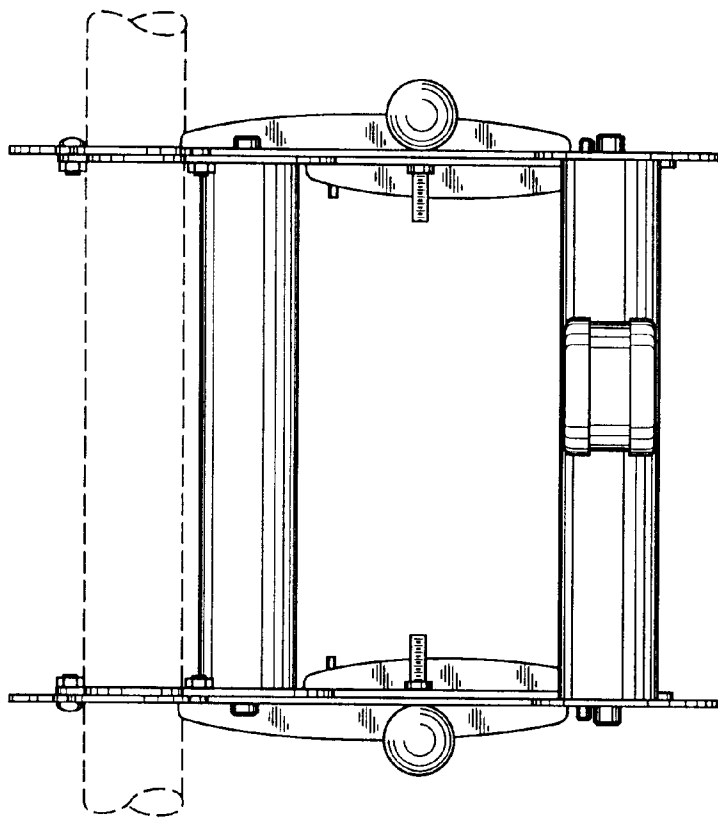


FIG. 7



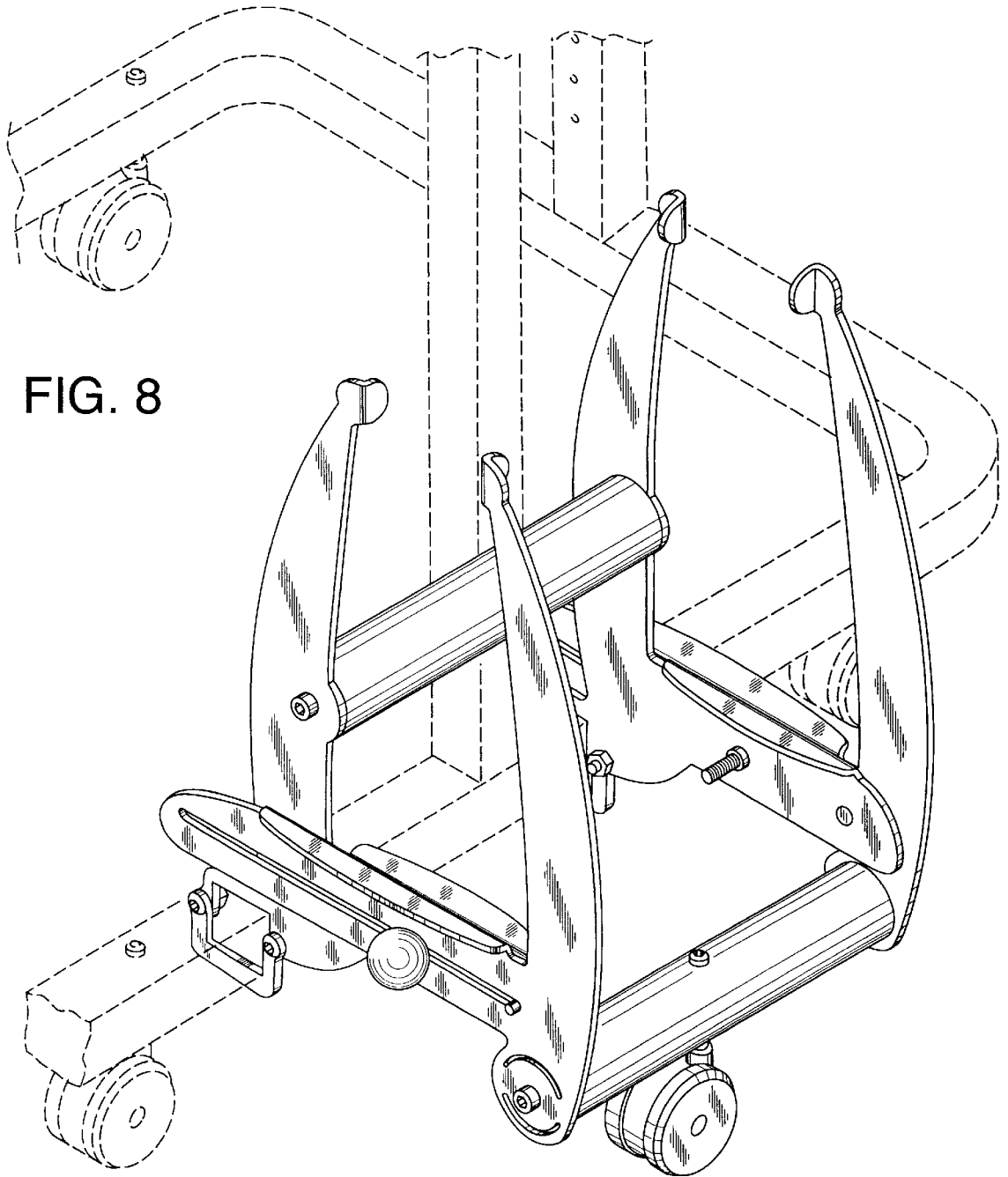


FIG. 8

FIG. 9

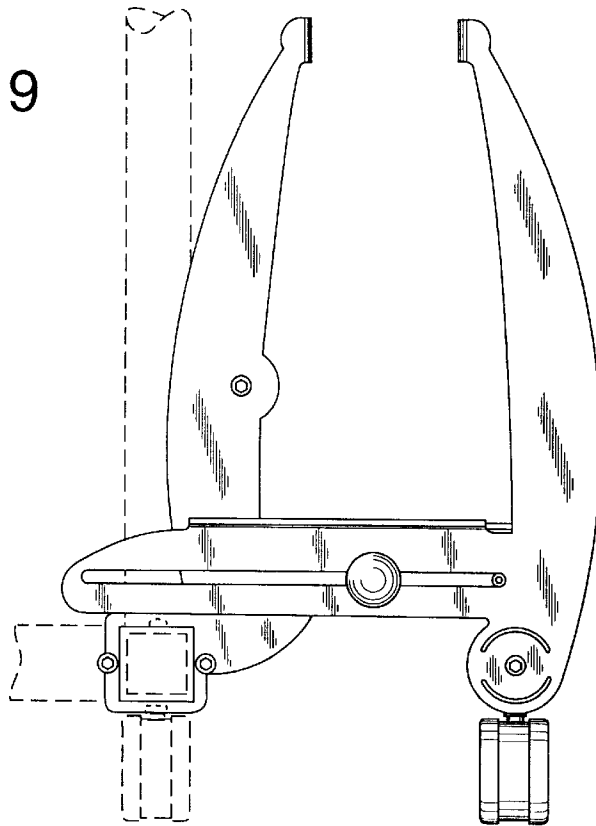


FIG. 10

