



US00D805944S

(12) **United States Design Patent**
Kwon

(10) **Patent No.:** **US D805,944 S**
(45) **Date of Patent:** **** Dec. 26, 2017**

(54) **BRACELET**

(71) Applicant: **HARRY WINSTON SA,**
Plan-les-Ouates (CH)

(72) Inventor: **Chaeree Kwon,** Brooklyn, NY (US)

(73) Assignee: **Harry Winston SA,** Plan-les-Ouates
(CH)

(**) Term: **15 Years**

(21) Appl. No.: **29/572,771**

(22) Filed: **Jul. 29, 2016**

(30) **Foreign Application Priority Data**

Jan. 29, 2016 (WO) DM/089 200

(51) **LOC (10) CL.** **11-01**

(52) **U.S. CL.**
USPC **D11/4**

(58) **Field of Classification Search**

USPC D11/1-40; D28/39-43
CPC .. A44C 5/00; A44C 5/10; A44C 5/022; A44C
5/025; A44C 5/145; A44C 5/0007; A44C
5/0061; A44C 5/0076; A44C 5/0084;
A44C 5/0092; A44C 5/2071; A44C
5/2085; A44C 9/0038; A44C 9/0053;
A44C 17/02; A44C 5/0069; A44C 5/142;
A44C 15/005; A44C 15/0005; A44C
17/001; A44C 17/003; A44C 17/005

See application file for complete search history.

(56) **References Cited**

U.S. PATENT DOCUMENTS

D158,752 S * 5/1950 Katz D11/4
D260,620 S * 9/1981 Blum D11/3
D400,464 S * 11/1998 Kothari D11/28
D470,429 S * 2/2003 Bonnet D11/3
D540,709 S * 4/2007 Daas D11/16
D542,689 S * 5/2007 Daas D11/16
D663,230 S * 7/2012 Fillon D11/4
D663,231 S * 7/2012 Fillon D11/4

D708,089 S * 7/2014 Burbano D11/6
D741,211 S * 10/2015 Kahn D11/3
D750,824 S * 3/2016 Bonang D26/39
D780,019 S * 2/2017 Riviere D11/34
D792,800 S * 7/2017 Kwon D11/34

OTHER PUBLICATIONS

Diamond Wrap Bangle (available online) Retrieved from the internet Aug. 17, 2017, retrieved from the internet URL: http://www.neimanmarcus.com/LANA-Diamond-Wrap-Bangle-in-14K-Gold/prod199160398_cat4870733_/p.prod?icid=&searchType=EndecaDrivenCat&rte=%252Fcategory.service%253FitemId%253Dcat4870733%2526pageSize%253D119%2526No%253D0%2526Ns%253DPCS_SORT%2525*

New World Crivelli Bangle Bracelet (available online) Retrieved from the internet Aug. 17, 2017, retrieved from the internet URL: http://www.neimanmarcus.com/Armenta-New-World-Crivelli-Bangle-Bracelet/prod196950079_cat4870733_/p.prod?icid=&searchType=EndecaDrivenCat&rte=%252Fcategory.service%253FitemId%253Dcat4870733%2526pageSize%253D119%2526No%253D0*

* cited by examiner

Primary Examiner — Garth Rademaker

Assistant Examiner — Richard Kearney

(74) *Attorney, Agent, or Firm* — Blank Rome LLP

(57) **CLAIM**

The ornamental design for a bracelet, as shown.

DESCRIPTION

FIG. 1 is a front perspective view of a bracelet showing my new design;

FIG. 2 is a rear view thereof;

FIG. 3 is a front view thereof;

FIG. 4 is a left side view thereof;

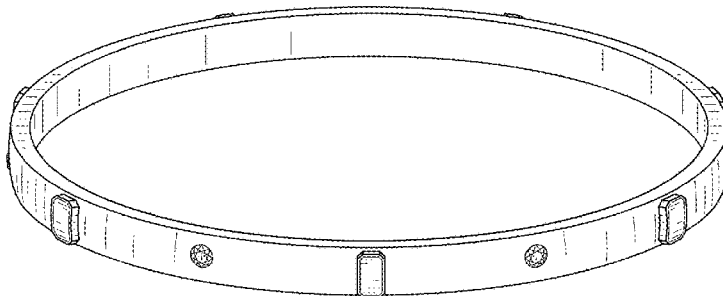
FIG. 5 is a right side view thereof;

FIG. 6 is a top view thereof;

FIG. 7 is a bottom view thereof; and,

FIG. 8 is a rear perspective view thereof.

1 Claim, 5 Drawing Sheets



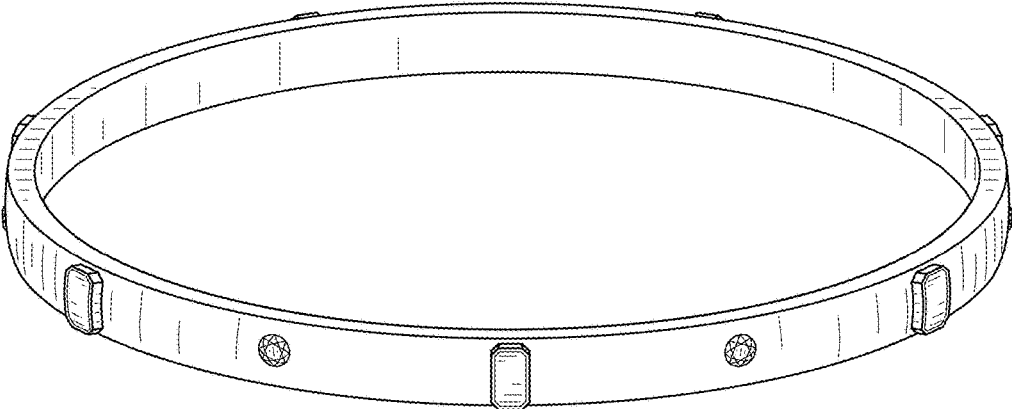


FIG. 1

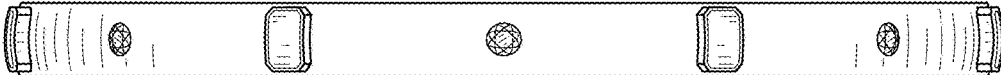


FIG. 2

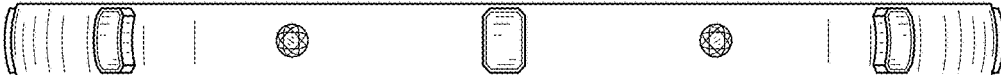


FIG. 3



FIG. 4

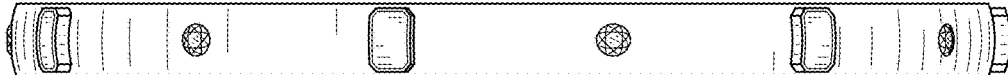


FIG. 5

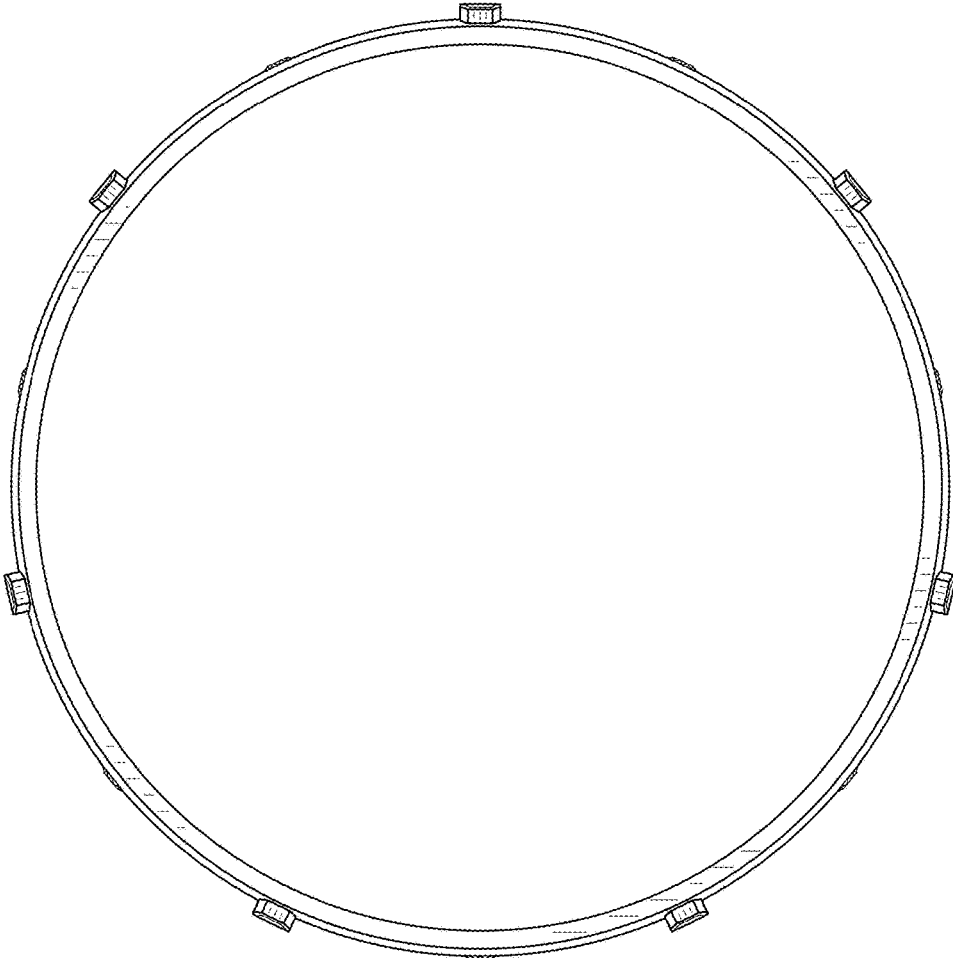


FIG. 6

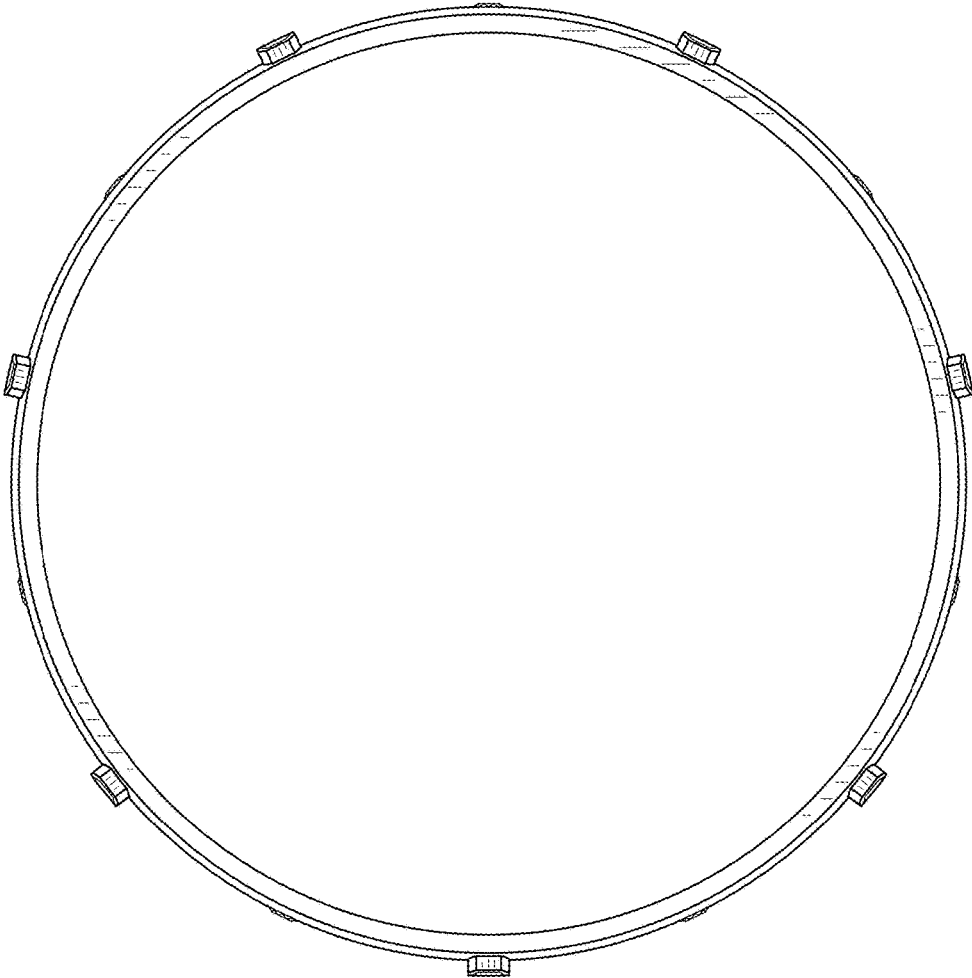


FIG. 7

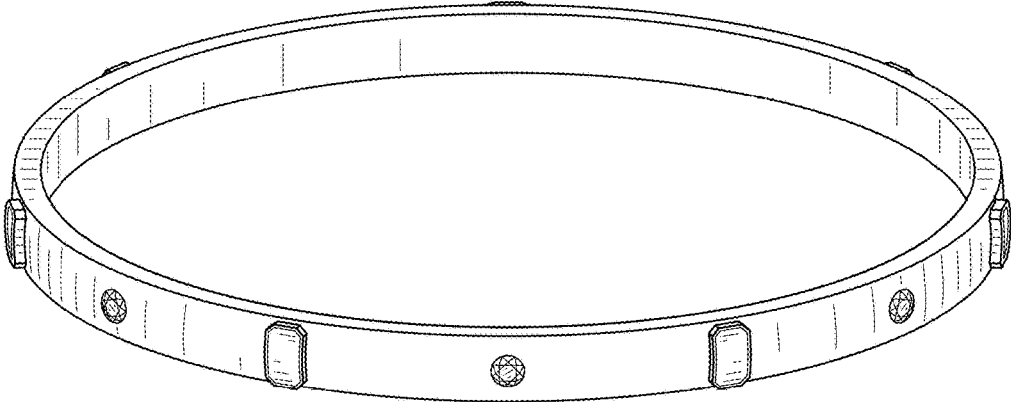


FIG. 8