



US00D818365S

(12) **United States Design Patent**
Lee

(10) **Patent No.:** **US D818,365 S**
(45) **Date of Patent:** **** May 22, 2018**

- (54) **CONTAINER**
- (71) Applicant: **Owens-Brockway Glass Container Inc.**, Perrysburg, OH (US)
- (72) Inventor: **Young Lee**, Perrysburg, OH (US)
- (73) Assignee: **Owens-Brockway Glass Container Inc.**, Perrysburg, OH (US)
- (**) Term: **15 Years**

- D509,433 S 9/2005 Trayser et al.
- D526,197 S 8/2006 Lauret
- D526,568 S 8/2006 Bakic
- D530,207 S 10/2006 Brandt et al.
- D536,976 S 2/2007 Ciulla et al.
- D548,606 S 8/2007 Rica
- D550,080 S 9/2007 Rica
- D551,082 S 9/2007 Kakhniadze et al.
- D551,552 S 9/2007 Rica
- D554,518 S 11/2007 Cornet et al.
- D555,501 S 11/2007 Del Bon

(Continued)

Primary Examiner — Dana L Meyrow

- (21) Appl. No.: **29/583,393**
- (22) Filed: **Nov. 4, 2016**
- (51) **LOC (11) Cl.** **09-01**
- (52) **U.S. Cl.**
USPC **D9/516; D9/500**
- (58) **Field of Classification Search**
USPC D9/500, 503–505, 516, 520, 544–545,
D9/547, 549, 558, 682, 686, 688,
D9/690–691, 715, 719; D7/300, 300.1,
D7/598
CPC B65D 1/00; B65D 1/02; B65D 1/0223;
B65D 23/00; B65D 81/00; B65D
2501/00; B65D 2501/0009
See application file for complete search history.

(57) **CLAIM**

I claim an ornamental design for a container, as shown and described.

DESCRIPTION

FIG. 1 is a perspective view of a container in accordance with a first illustrative embodiment of my new claimed design.

FIG. 2 is a side view of the container of FIG. 1.

FIG. 3 is an enlarged scale top view of the container of FIG. 1.

FIG. 4 is an enlarged scale bottom view of the container of FIG. 1.

FIG. 5 is a perspective view of a container in accordance with a second illustrative embodiment of my new claimed design.

FIG. 6 is a side view of the container of FIG. 5.

FIG. 7 is an enlarged scale top view of the container of FIG. 5; and,

FIG. 8 is an enlarged scale bottom view of the container of FIG. 5.

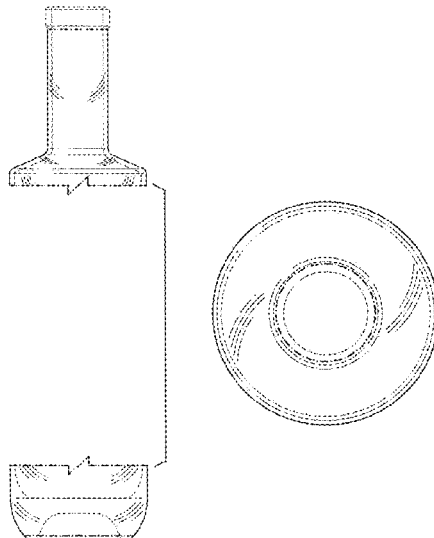
The evenly-dashed broken lines in the drawings illustrate the portions of the container that form no part of the claim. The dot-dash broken lines in the drawings define the bounds of the claim and form no part thereof.

(56) **References Cited**

U.S. PATENT DOCUMENTS

- D103,080 S 2/1937 McIntosh
- D192,709 S 5/1962 Heintze
- D339,517 S 9/1993 Jobit
- D356,038 S 3/1995 Biesecker
- D376,762 S 12/1996 Fenton et al.
- D387,283 S 12/1997 Sgariboldi
- D414,427 S 9/1999 Maddy
- D423,370 S 4/2000 Lewin
- D431,779 S 10/2000 Nosella
- D484,419 S 12/2003 Potocki et al.
- D486,072 S 2/2004 Potocki et al.
- D489,984 S * 5/2004 Futral D9/500

1 Claim, 4 Drawing Sheets



(56)

References Cited

U.S. PATENT DOCUMENTS

D556,577 S	12/2007	Didier		D655,178 S	3/2012	Gonzalez Rodriguez	
D559,696 S	1/2008	Didier		D655,612 S	3/2012	Oge-Nichols	
D559,697 S	1/2008	Didier		D656,404 S	3/2012	Thompson	
D559,698 S	1/2008	Rica		D659,538 S	5/2012	Lecetre et al.	
D561,026 S	2/2008	Rica		D660,154 S	5/2012	Franco	
D561,039 S	2/2008	Del Bon		D666,102 S	8/2012	Mandell et al.	
D567,100 S	4/2008	Liden et al.		D668,955 S	10/2012	Zuchetta	
D567,664 S	4/2008	Rica		D670,176 S	11/2012	Monteparo et al.	
D579,785 S	11/2008	Rica		D670,177 S	11/2012	Lario Rivas	
D580,771 S	11/2008	Rica		D672,250 S	12/2012	Austin et al.	
D580,773 S	11/2008	Rica		D673,859 S	1/2013	Austin et al.	
D581,800 S	12/2008	Rica		D673,860 S	1/2013	Santa Cruz	
D584,631 S	1/2009	Van Well		D677,569 S	3/2013	Lemaitre	
D584,946 S	1/2009	Rica		D679,602 S	4/2013	Gonzalez Rodriguez	
D584,953 S	1/2009	Rica		D681,472 S	5/2013	Klebeck	
D586,659 S	2/2009	Delbon		D682,111 S	5/2013	Polini et al.	
D589,355 S	3/2009	Rica		D682,704 S	5/2013	Reynolds	
D589,356 S	3/2009	Rica		D682,705 S	5/2013	Reynolds	
D589,813 S	4/2009	Rica		D683,228 S	5/2013	Gonzalez Rodriguez	
D590,718 S	4/2009	Rica		D683,627 S	6/2013	Rodriguez	
D591,596 S	5/2009	Rica		D687,302 S	8/2013	Reynolds	
D591,597 S	5/2009	Rica		D687,307 S	8/2013	Lauret	
D592,061 S	5/2009	Rica		D687,308 S	8/2013	Lauret	
D595,134 S	6/2009	Rica		D687,311 S	8/2013	Austin et al.	
D595,141 S	6/2009	Rica		D688,132 S	8/2013	Reynolds	
D596,491 S	7/2009	Rica		D688,133 S	8/2013	Reynolds	
D596,943 S	7/2009	Baker		D688,948 S	9/2013	Gonzalez Rodriguez	
D601,023 S	9/2009	Rica		D693,227 S	11/2013	Gonzalez Rodriguez	
D601,024 S	9/2009	Rica		D698,256 S	1/2014	Thompson	
D601,025 S	9/2009	Rica		D698,257 S	1/2014	Gonzalez Rodriguez	
D601,033 S	9/2009	Rica		D701,768 S	4/2014	Baker	
D601,424 S	10/2009	Rica		D702,129 S	4/2014	Shaw	
D601,428 S	10/2009	Rica		D704,060 S	5/2014	Maillet et al.	
D602,368 S	10/2009	Rica		D706,137 S	6/2014	Gonzalez Rodriguez	
D612,242 S	3/2010	Rica		D709,380 S	7/2014	Letamendi	
D612,258 S	3/2010	Rica		D709,771 S	7/2014	Letamendi	
D612,739 S	3/2010	Delbon		D713,250 S	9/2014	Perez-Cabrera	
D619,895 S *	7/2010	Kisterev	D9/504	D713,257 S	9/2014	Del Bon	
D619,900 S	7/2010	Rica		D713,730 S	9/2014	Perez-Cabrera	
D622,601 S	8/2010	Potts		D714,156 S	9/2014	Lauret	
D622,602 S	8/2010	Potts		D714,652 S	10/2014	Shaw et al.	
D622,603 S	8/2010	Potts		D716,659 S	11/2014	Thompson	
D626,423 S	11/2010	Lauret		D717,658 S	11/2014	Fadelli	
D626,842 S	11/2010	Rica		D719,030 S	12/2014	Perez-Cabrera	
D628,491 S	12/2010	Themann		D719,455 S	12/2014	Perez-Cabrera	
D629,697 S	12/2010	Laurent		D719,457 S	12/2014	Perez-Cabrera	
D630,100 S	1/2011	Wanet		D723,372 S	3/2015	Lecetre et al.	
D635,032 S *	3/2011	Daniele	D9/500	D724,952 S	3/2015	Humm	
D635,856 S	4/2011	Lauret		D727,162 S	4/2015	Gaydon	
D635,857 S	4/2011	Lauret		D730,191 S	5/2015	Hardy	
D636,677 S	4/2011	Diez et al.		D737,146 S	8/2015	Kramer	
D637,082 S	5/2011	Delbon		D738,738 S	9/2015	Helfrich	
D637,083 S	5/2011	Delbon		D742,751 S	11/2015	Letamendi	
D652,301 S	1/2012	Pelkey		D745,409 S	12/2015	Lecetre et al.	
D652,720 S	1/2012	Pelkey		D746,694 S	1/2016	Letamendi	
D652,721 S	1/2012	Pelkey		D750,496 S	3/2016	Cutler	
D655,177 S	3/2012	Gonzalez Rodriguez		D756,795 S	5/2016	Maillet et al.	
				D787,938 S *	5/2017	Feletto	D9/500

* cited by examiner

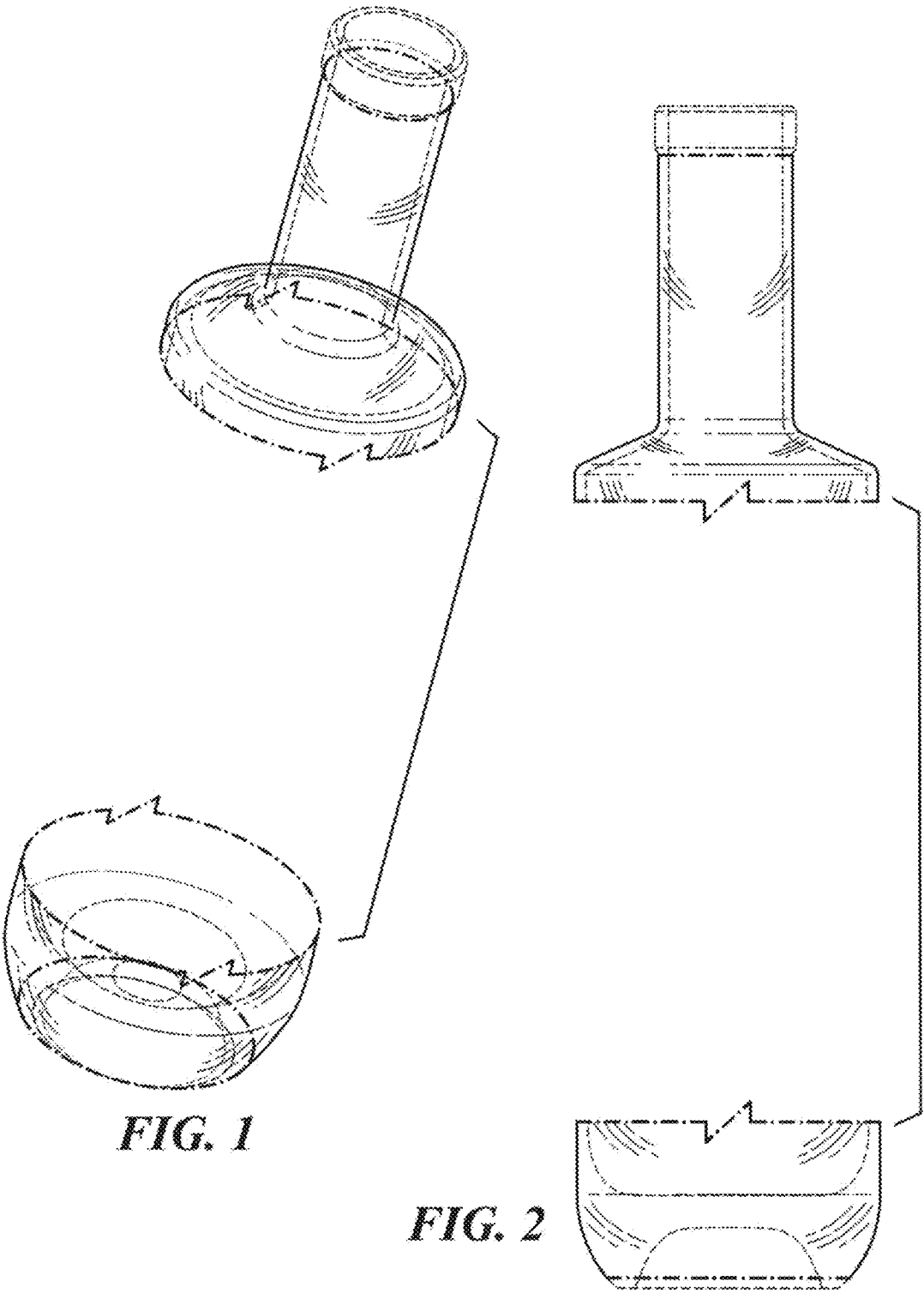


FIG. 1

FIG. 2

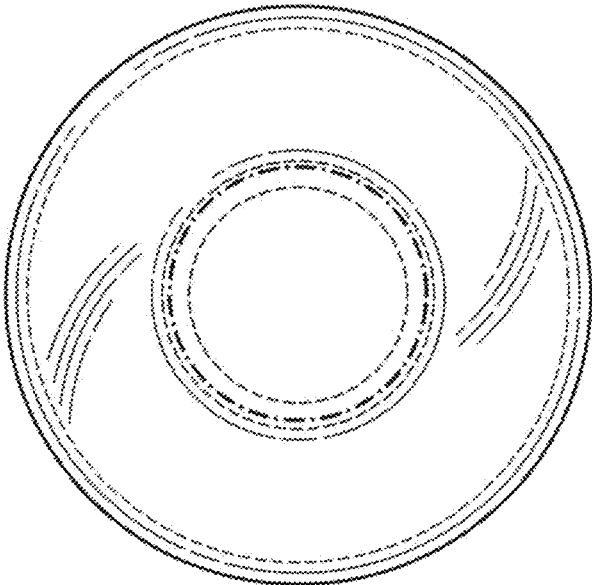


FIG. 3

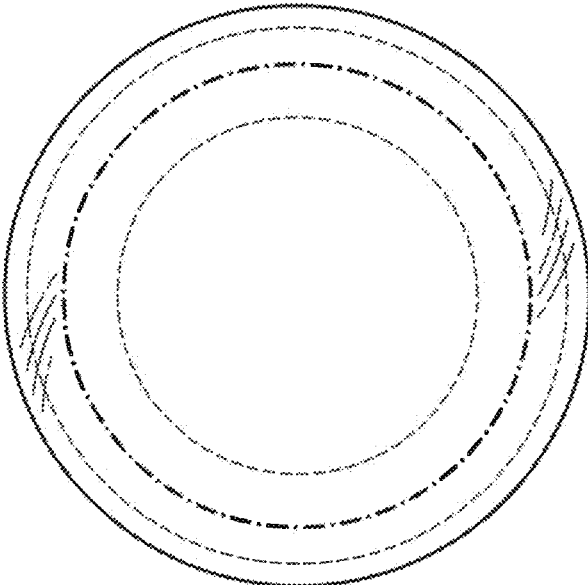


FIG. 4

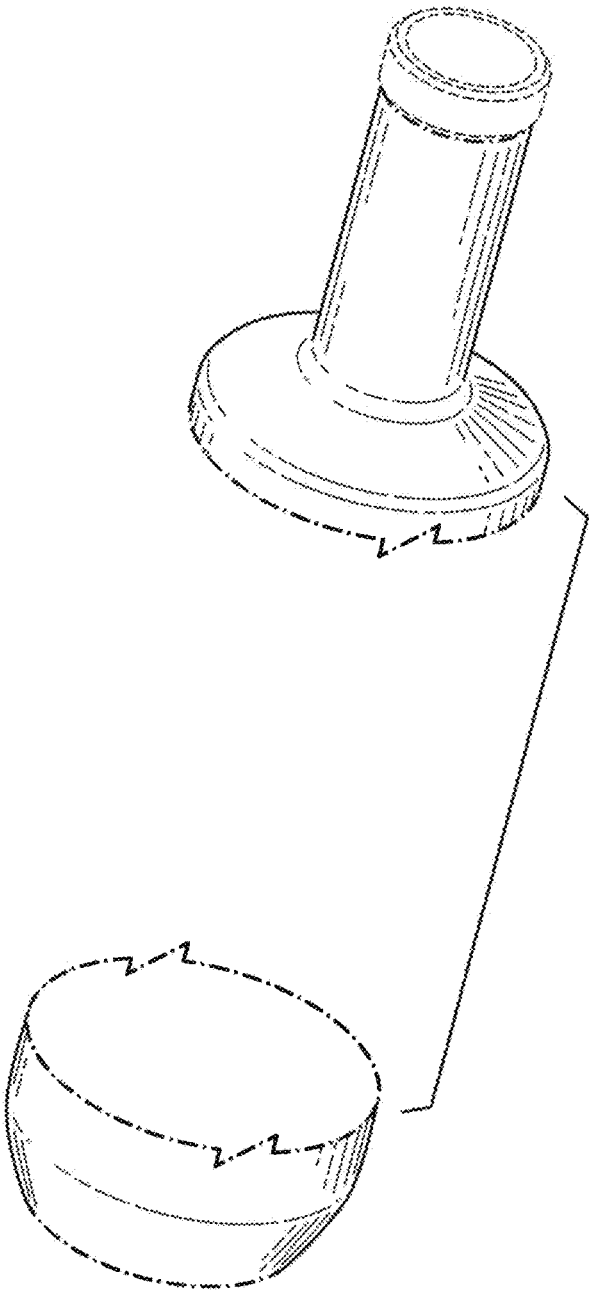


FIG. 5

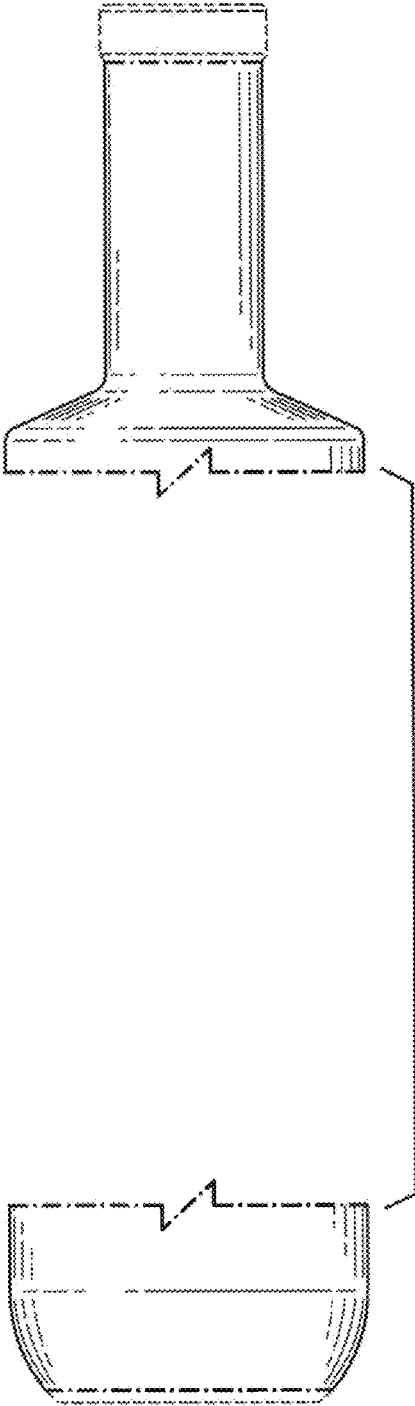


FIG. 6

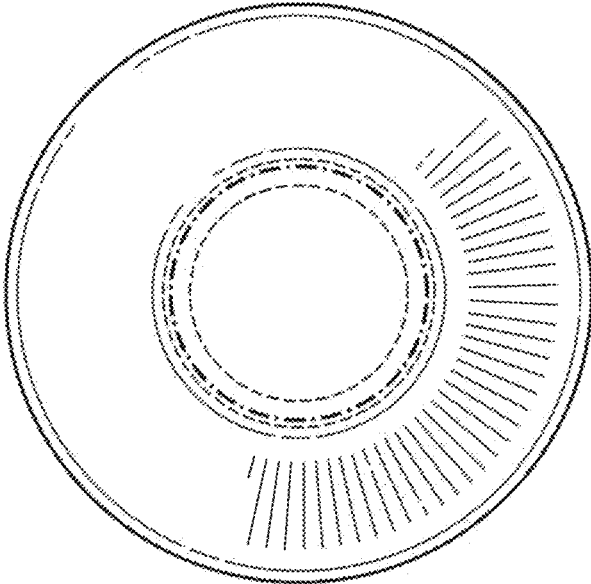


FIG. 7

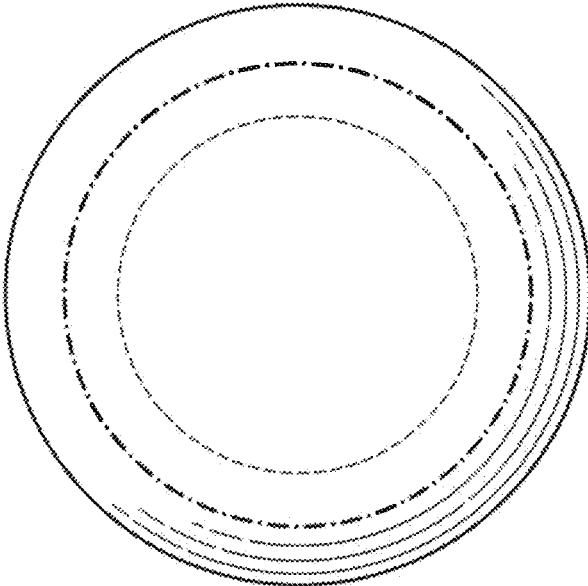


FIG. 8