



US00D613609S

(12) **United States Design Patent**  
**Pok et al.**

(10) **Patent No.:** **US D613,609 S**

(45) **Date of Patent:** **\*\* Apr. 13, 2010**

(54) **CONTAINER**

(75) Inventors: **Bernard Pok**, Shanghai (CN); **Tao Hai**, Shanghai (CN)

(73) Assignee: **Mars, Incorporated**, McLean, VA (US)

(\*\*) Term: **14 Years**

(21) Appl. No.: **29/328,730**

(22) Filed: **Dec. 1, 2008**

(30) **Foreign Application Priority Data**

May 29, 2008 (CN) ..... 2008 3 0120176

(51) **LOC (9) Cl.** ..... **09-01**

(52) **U.S. Cl.** ..... **D9/529; D9/575**

(58) **Field of Classification Search** ..... D9/414,  
D9/420, 421, 423, 424, 434, 435, 444, 447,  
D9/449, 516, 523, 524, 526, 529, 537, 539,  
D9/540, 551, 564, 575, 737, 738, 741; 215/381-385;  
220/662, 669

See application file for complete search history.

(56) **References Cited**

**U.S. PATENT DOCUMENTS**

- D314,139 S \* 1/1991 Ambasz ..... D9/529
- D389,742 S \* 1/1998 Toleman ..... D9/523
- D442,485 S \* 5/2001 Sumpmann et al. .... D9/432
- D466,012 S \* 11/2002 Baker ..... D9/420
- D469,011 S \* 1/2003 Miller ..... D9/417
- D470,765 S \* 2/2003 Baker ..... D9/420
- D535,530 S \* 1/2007 Clement ..... D7/629
- D547,649 S \* 7/2007 Larocca ..... D9/423
- D557,600 S \* 12/2007 Pettigrew et al. .... D9/420
- D565,838 S \* 4/2008 Arvidsson et al. .... D3/203.2
- D578,302 S \* 10/2008 Arvidsson et al. .... D3/203.2

D597,407 S \* 8/2009 Maddy ..... D9/523

\* cited by examiner

*Primary Examiner*—Stella M Reid

*Assistant Examiner*—Keli L Hill

(74) *Attorney, Agent, or Firm*—Arent Fow LLP

(57) **CLAIM**

The ornamental design for a container, as shown and described.

**DESCRIPTION**

FIG. 1 is a top perspective view of a first embodiment of a container, showing our new design;

FIG. 2 is a bottom perspective view of the design shown in FIG. 1;

FIG. 3 is a front view of the design shown in FIG. 1;

FIG. 4 is a rear view of the design shown in FIG. 1;

FIG. 5 is a top view of the design shown in FIG. 1;

FIG. 6 is a bottom view of the design shown in FIG. 1;

FIG. 7 is a left side view of the design shown in FIG. 1;

FIG. 8 is a right side view of the design shown in FIG. 1;

FIG. 9 is a top perspective view of a second embodiment of a container, showing our new design;

FIG. 10 is a top view of the design shown in FIG. 9;

FIG. 11 is a front view of the design shown in FIG. 9;

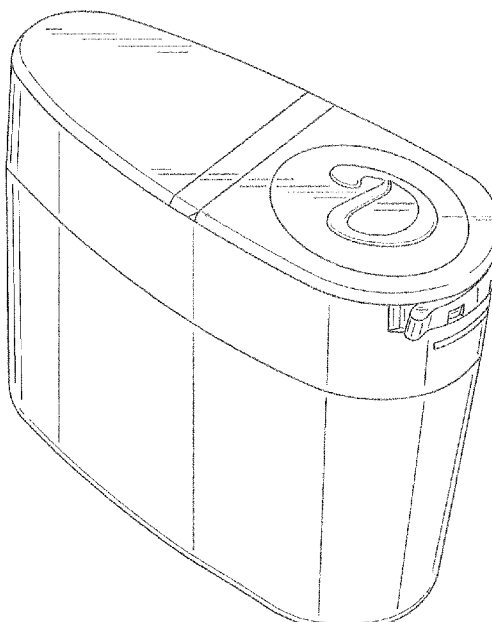
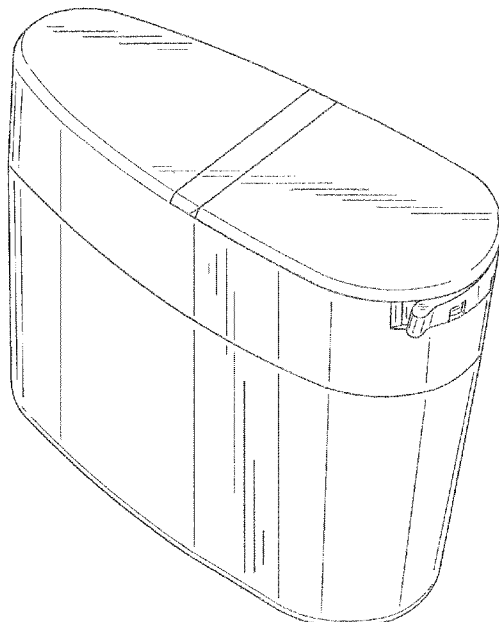
FIG. 12 is a rear view of the design shown in FIG. 9;

FIG. 13 is a left side view of the design shown in FIG. 9; and,

FIG. 14 right side view of the design shown in FIG. 9.

The “D” forming part of the claimed design in FIGS. 9-14 is a registered trademark of MARS, Incorporated.

**1 Claim, 14 Drawing Sheets**



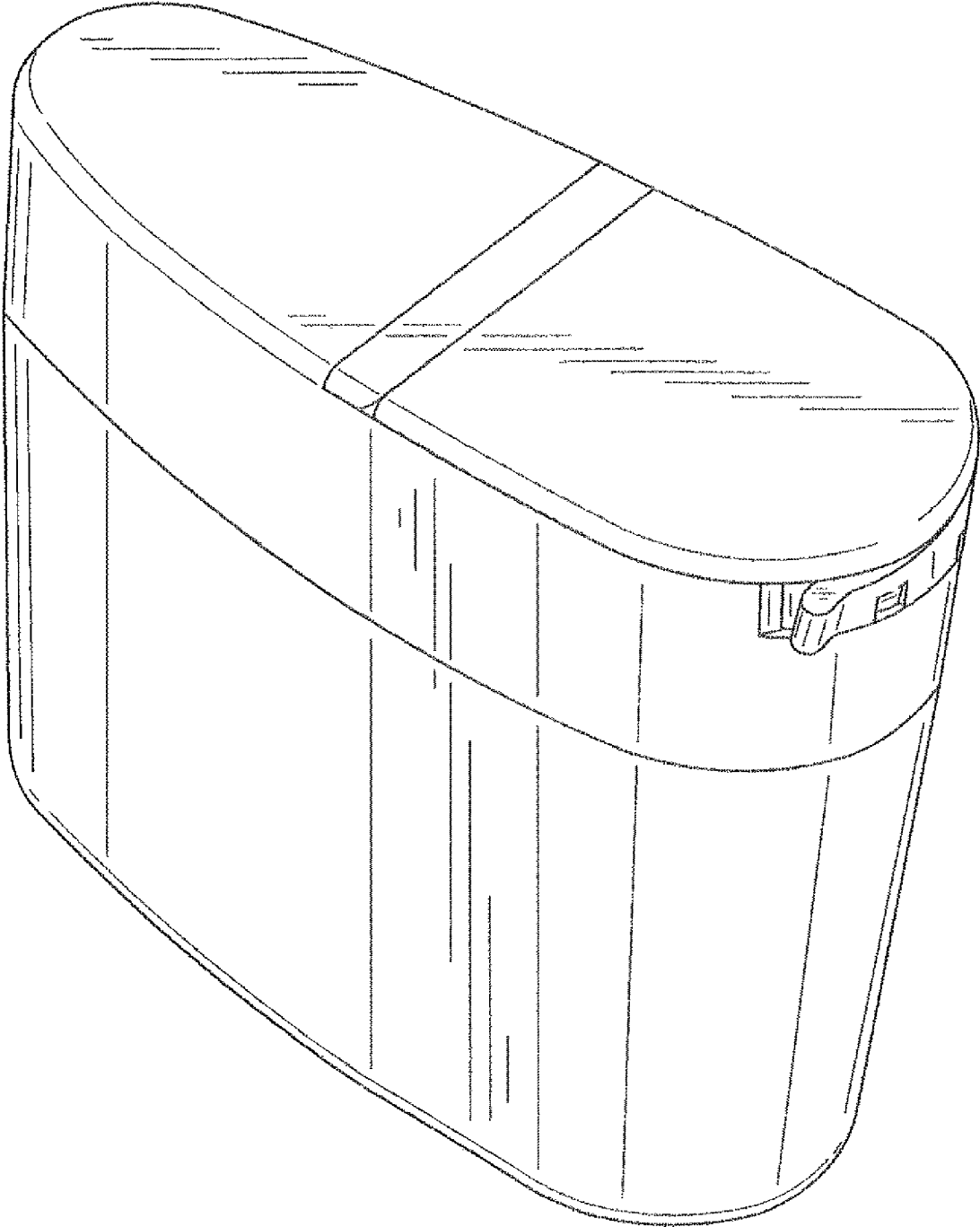


FIG. 1

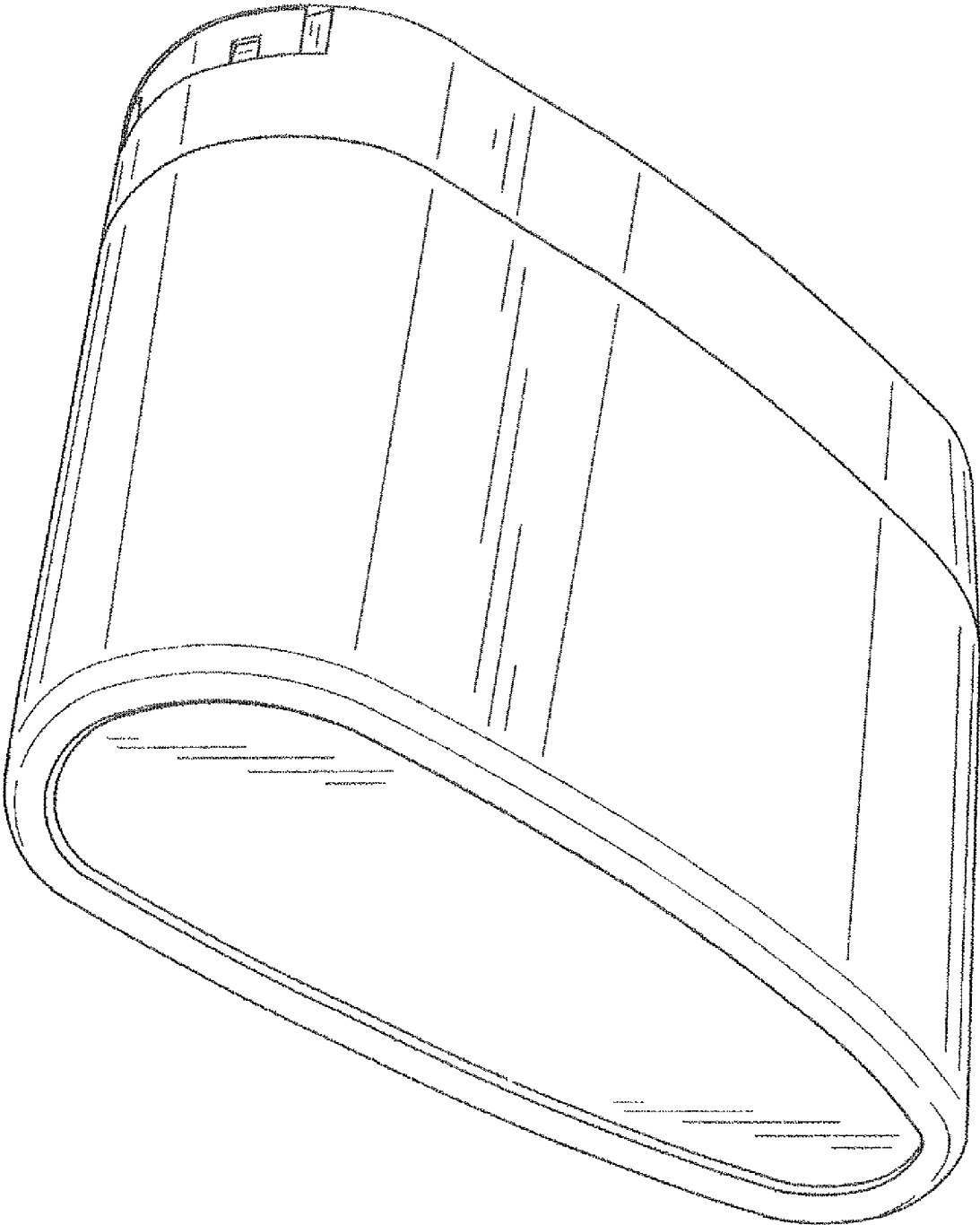


FIG.2

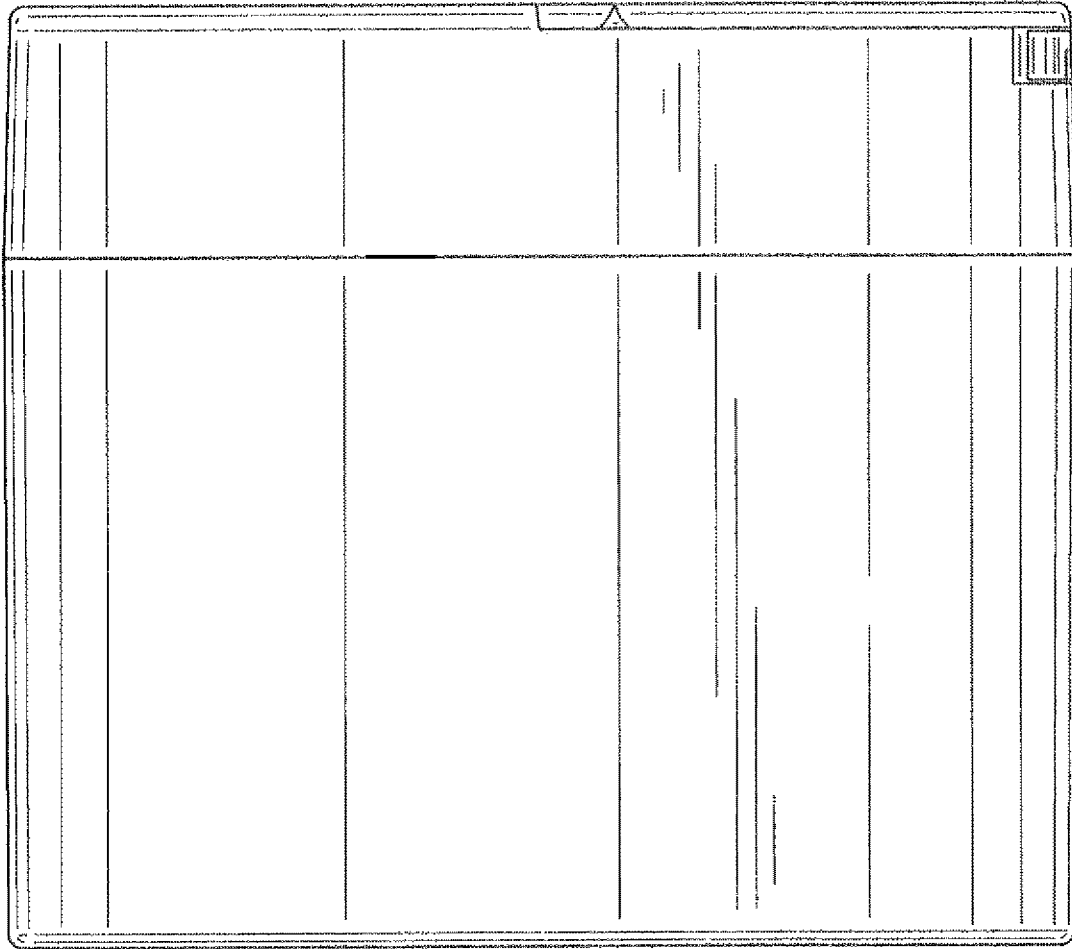


FIG. 3



FIG.4

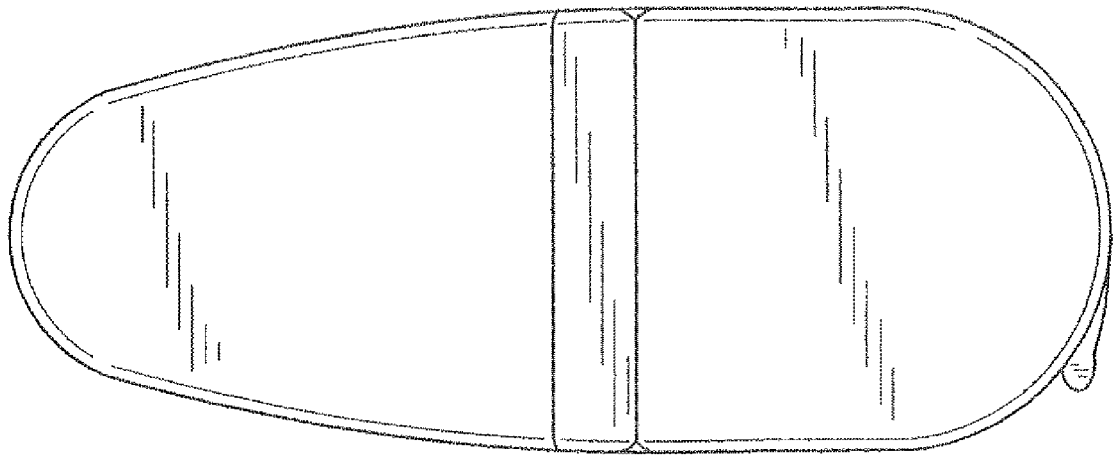


FIG. 5

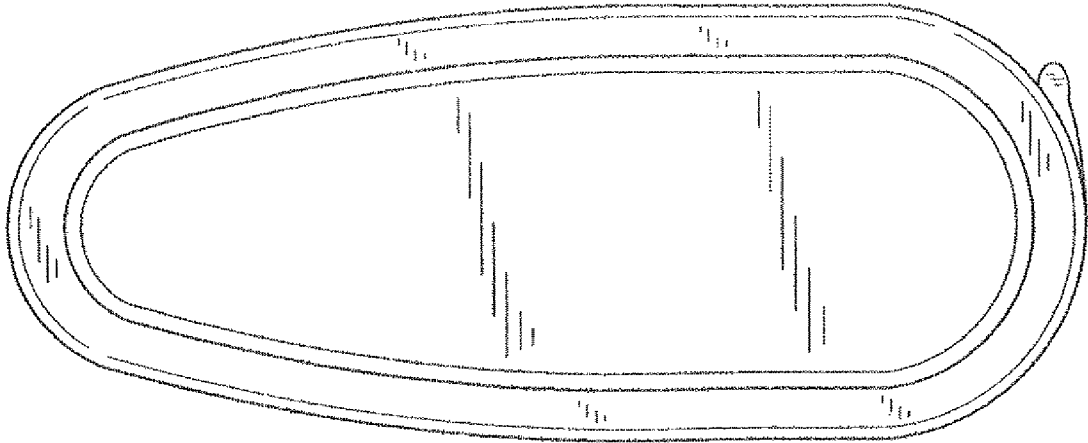


FIG.6

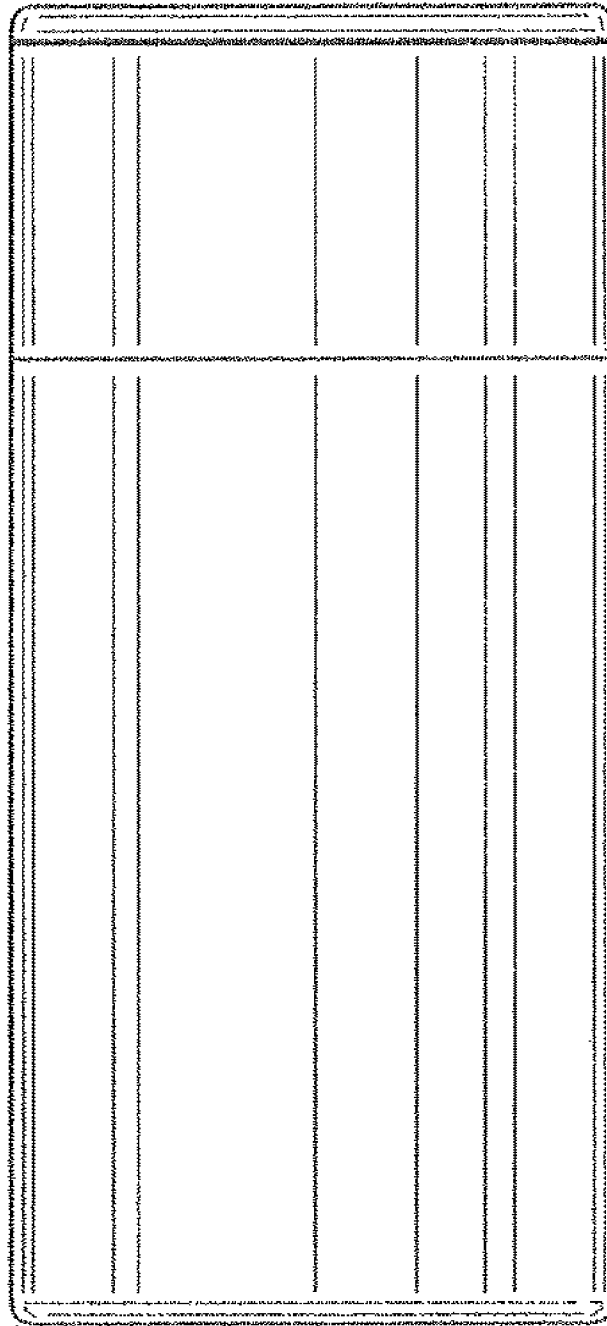


FIG. 7

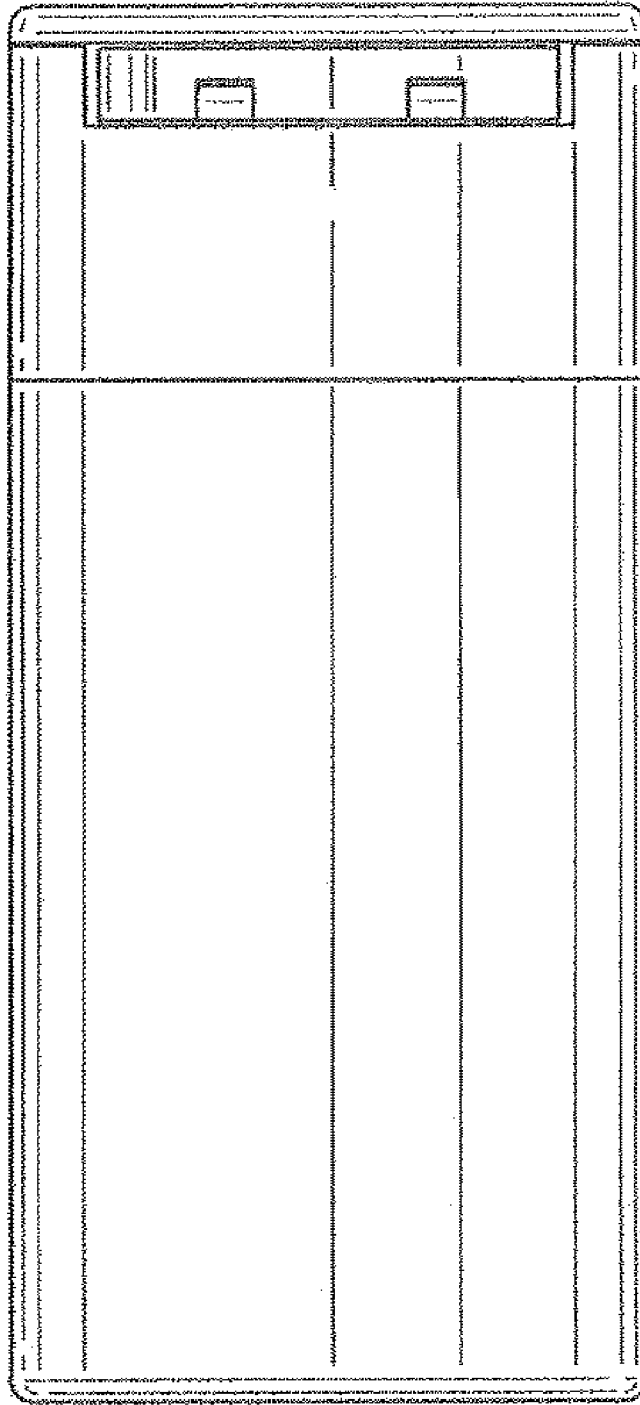


FIG. 8

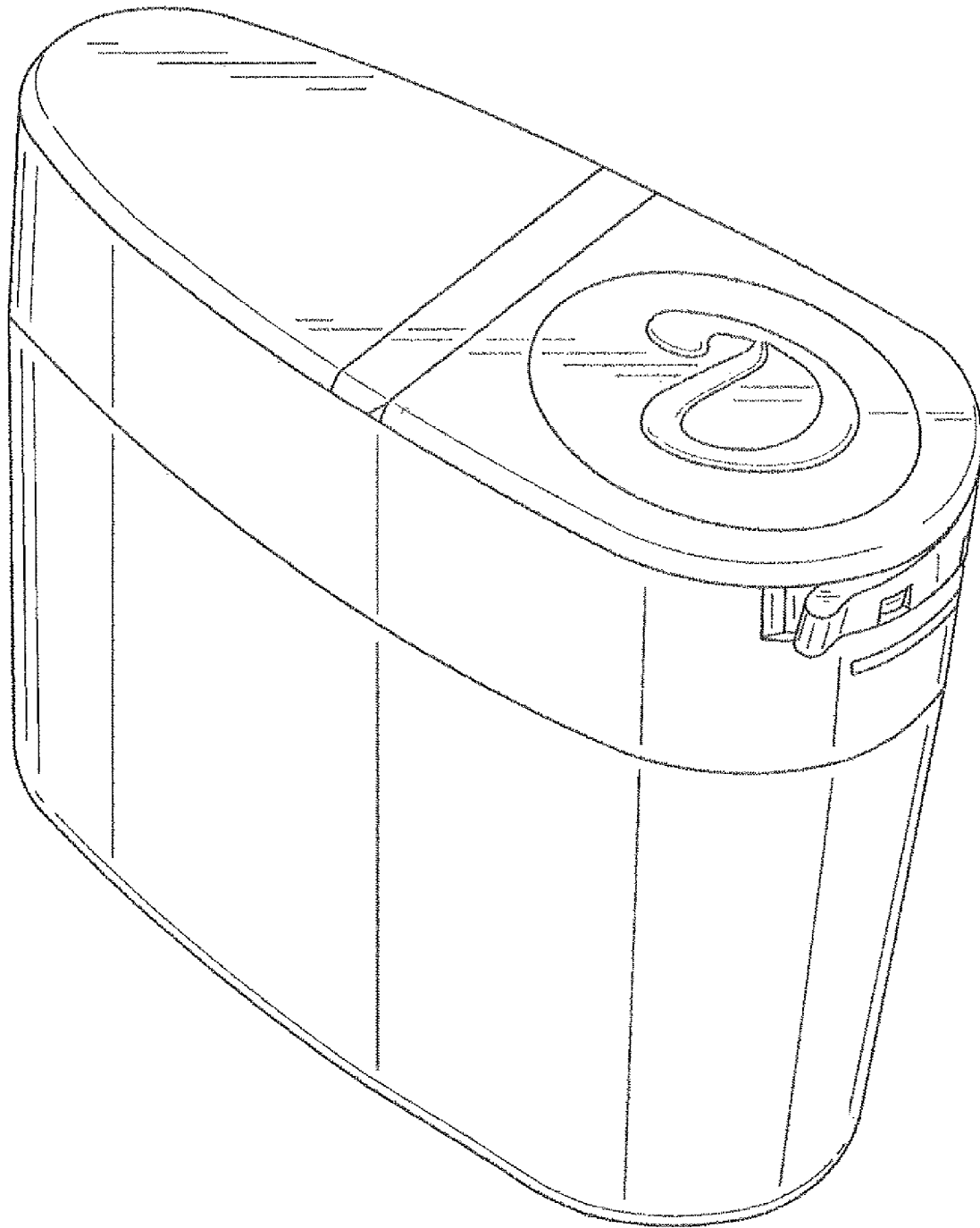


FIG. 9

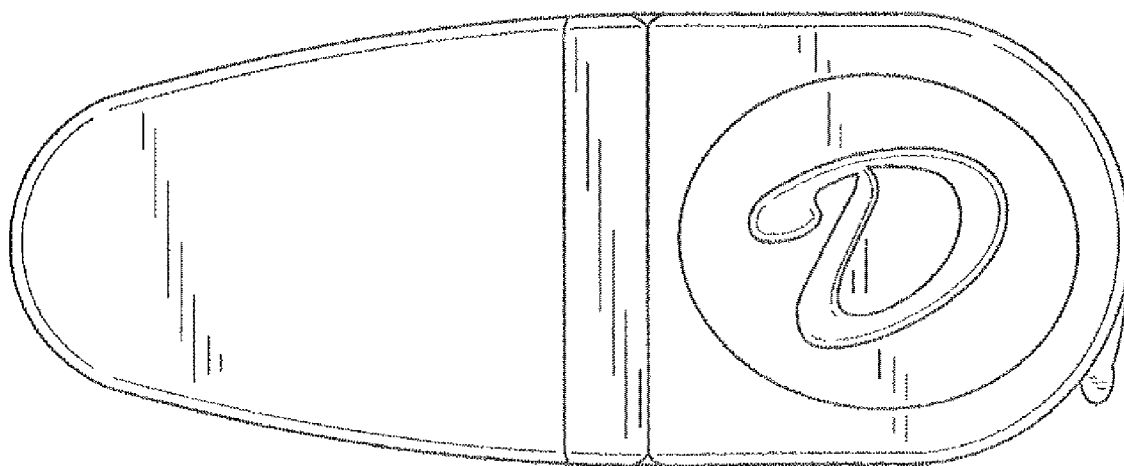


FIG. 10

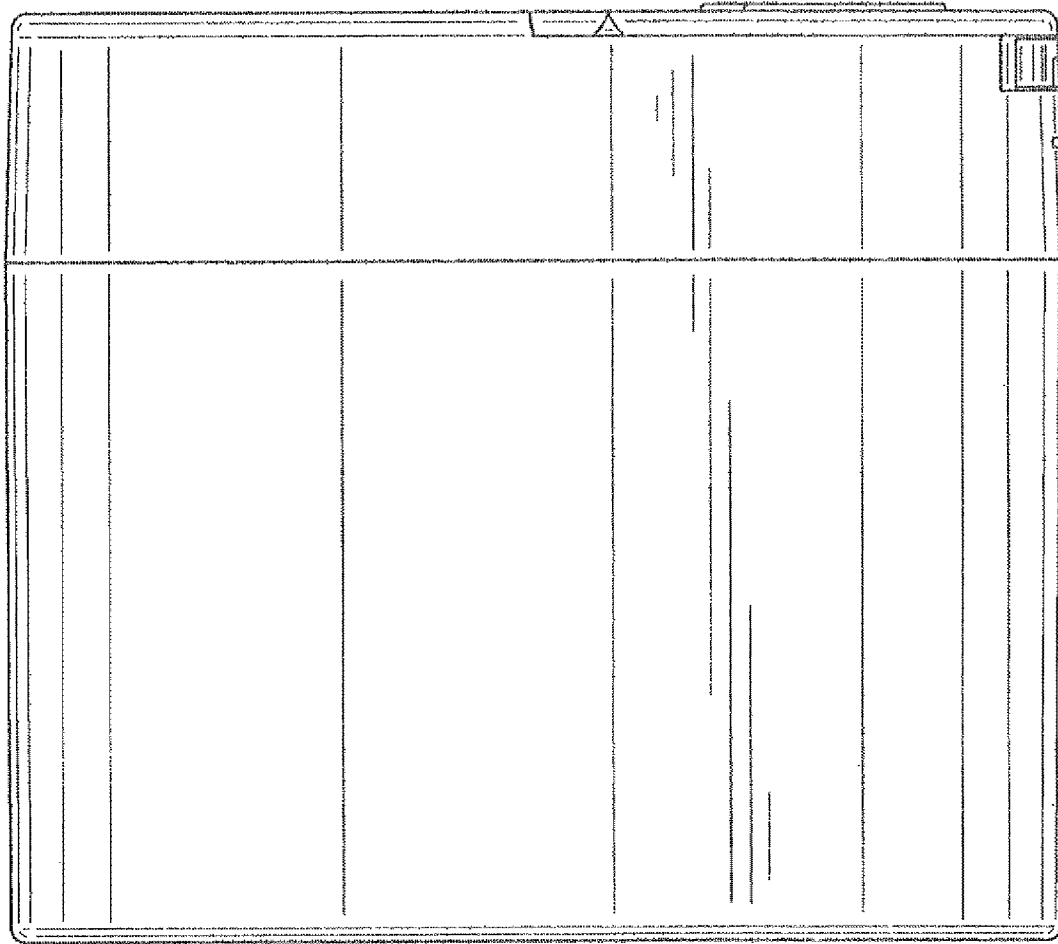


FIG. 11

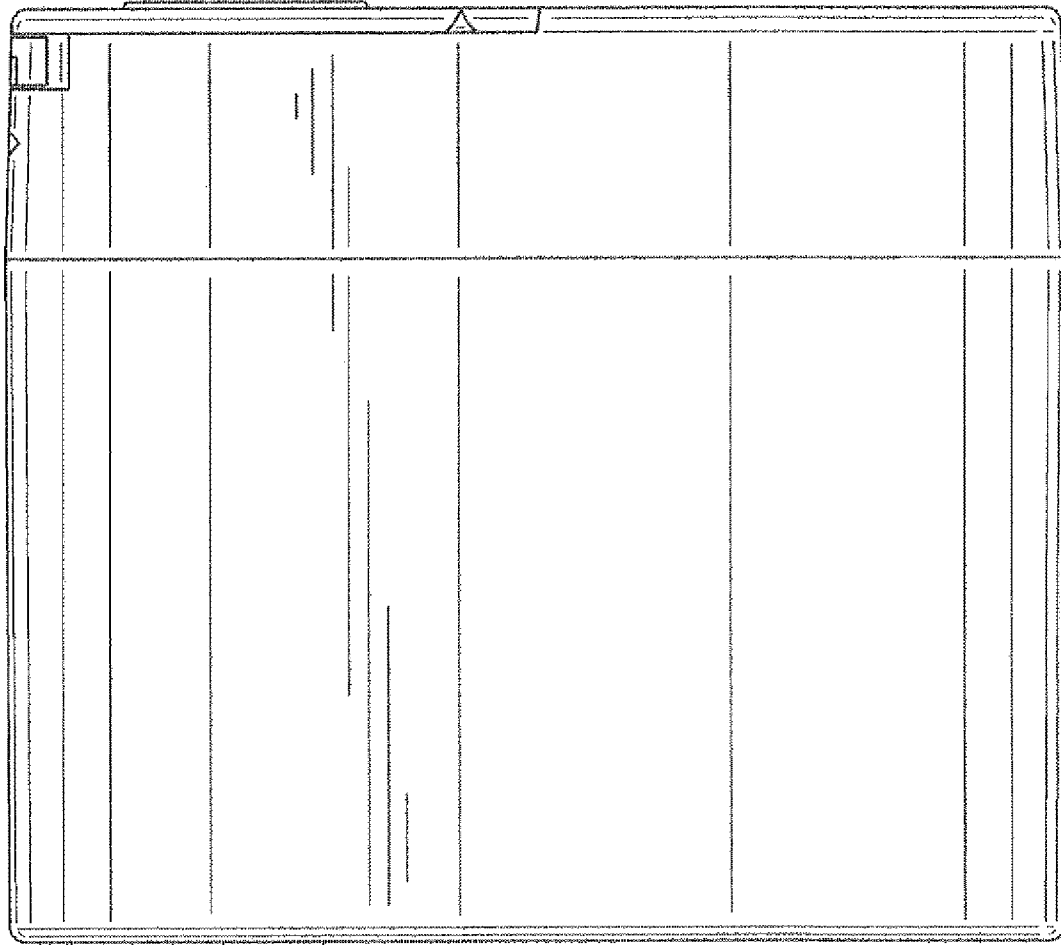


FIG. 12

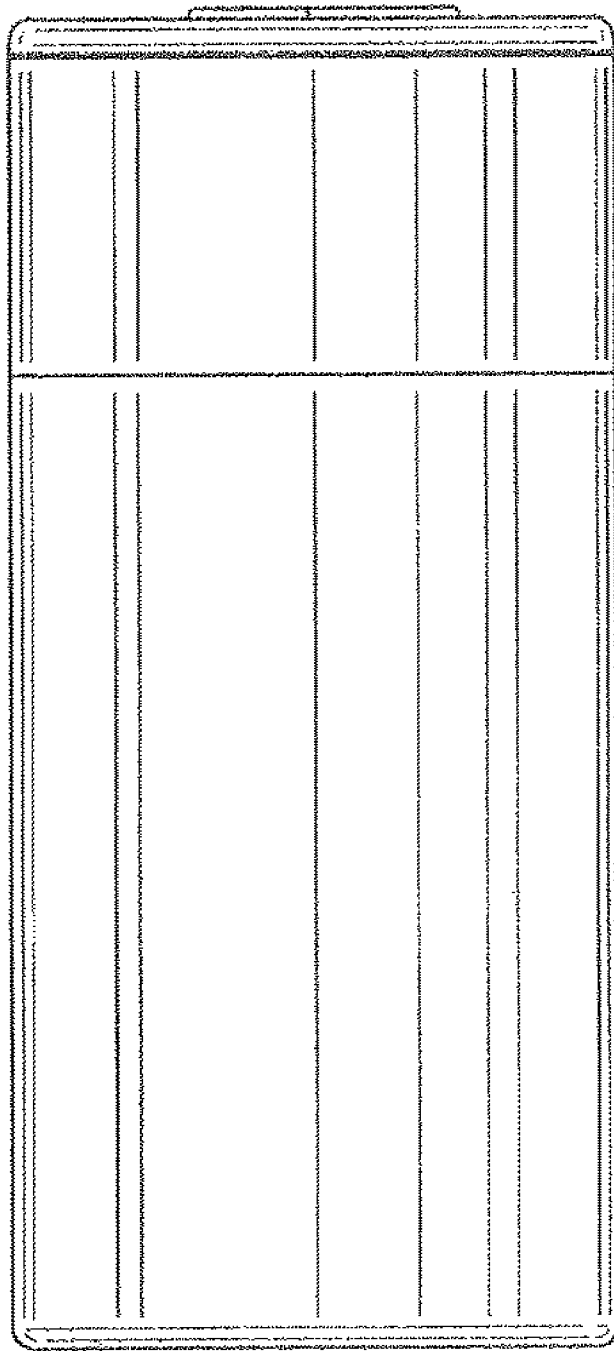


FIG. 13

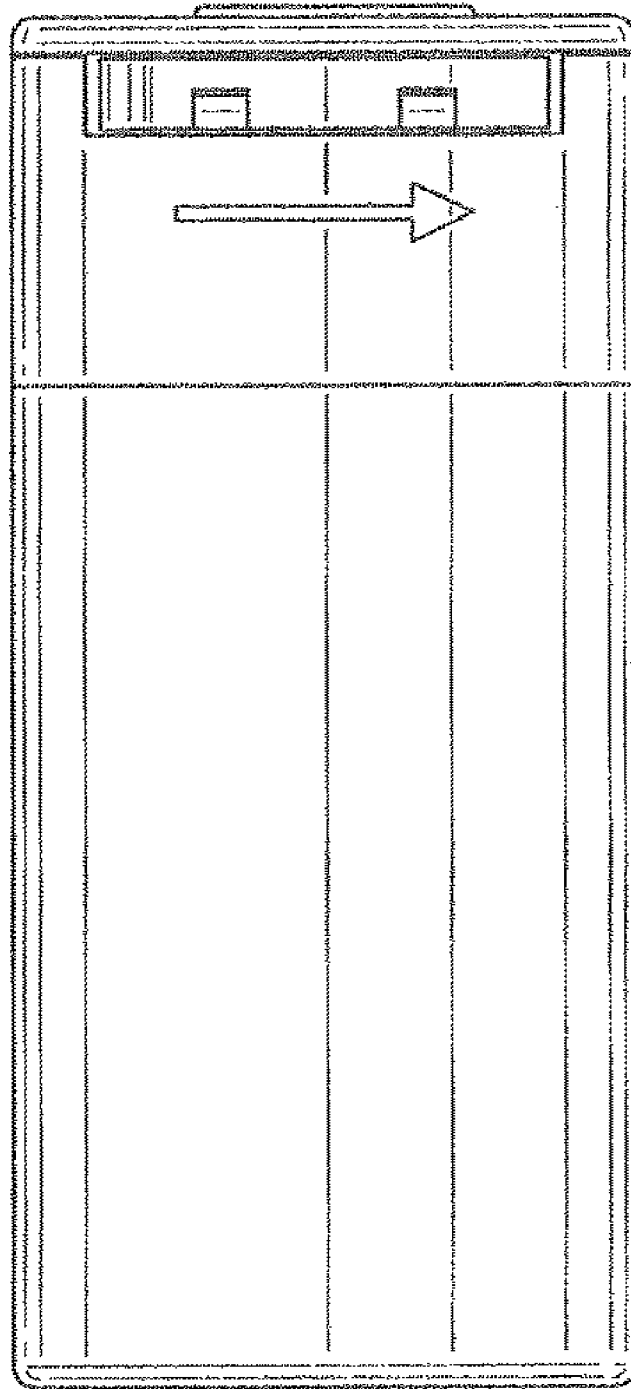


FIG. 14