



(12) **United States Design Patent**
Volpenhein et al.

(10) **Patent No.:** **US D618,396 S**
(45) **Date of Patent:** **** Jun. 22, 2010**

(54) **DENTAL FLOSS PICK**

D309,803 S 8/1990 Potter

(Continued)

(75) Inventors: **Daniel William Volpenhein**, Mason, OH (US); **Douglas Craig Hardesty**, Amelia, OH (US); **David Eric Dintenfass**, Cincinnati, OH (US); **Sarah T. Irizarry**, Fort Thomas, KY (US); **Alexander King**, Cincinnati, OH (US)

FOREIGN PATENT DOCUMENTS

DE 4439931 9/1996

(Continued)

(73) Assignee: **The Procter & Gamble Company**, Cincinnati, OH (US)

Floss Accessories from <https://cart.jbutler.com/store.php?crn=223>, Feb. 11, 2009, 13 pages, GUM®.

(Continued)

(**) Term: **14 Years**

Primary Examiner—Janice E Seeger

Assistant Examiner—Zenita I Bennett

(21) Appl. No.: **29/353,352**

(22) Filed: **Jan. 7, 2010**

(57) **CLAIM**

Related U.S. Application Data

The ornamental design for a dental floss pick, as shown and described.

(63) Continuation of application No. 29/340,711, filed on Jul. 23, 2009, now Pat. No. Des. 610,748, which is a continuation of application No. 29/307,575, filed on Apr. 28, 2008, now abandoned.

DESCRIPTION

FIG. 1 is a perspective view of one embodiment of the dental floss pick of the present invention;

(51) **LOC (9) Cl.** **28-03**

FIG. 2 is a right side elevational view of the dental floss pick of FIG. 1;

(52) **U.S. Cl.** **D28/66**

FIG. 3 is a left side elevational view of the dental floss pick of FIG. 1;

(58) **Field of Classification Search** D28/31, D28/56, 65-68, 73; D24/152; 433/141, 433/146-147; 132/322-329

FIG. 4 is a front elevational view of the dental floss pick of FIG. 1;

See application file for complete search history.

FIG. 5 is a rear elevational view of the dental floss pick of FIG. 1;

(56) **References Cited**

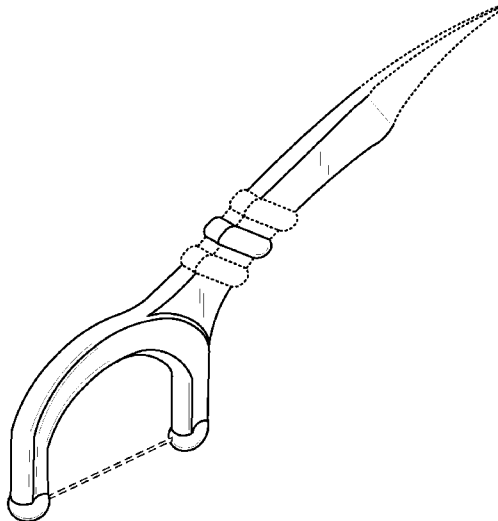
U.S. PATENT DOCUMENTS

FIG. 6 is a top plan view of the dental floss pick of FIG. 1; and, FIG. 7 is a bottom plan view of the dental floss pick of FIG. 1.

1,414,604 A	5/1922	Thum
D274,375 S	6/1984	Tomlin et al.
D276,088 S	10/1984	Fong
D279,826 S	7/1985	Schindler
D301,071 S	5/1989	Franchi
D309,041 S	7/1990	Schneider

The broken lines shown in the drawings are for illustrative purposes only and form no part of the claimed design.

1 Claim, 4 Drawing Sheets



US D618,396 S

Page 2

U.S. PATENT DOCUMENTS

D316,617 S 4/1991 Cheung et al.
5,246,021 A * 9/1993 Katz 132/323
5,388,600 A 2/1995 Hart
D357,551 S 4/1995 Schindler
5,538,023 A 7/1996 Oczkowski et al.
D374,744 S 10/1996 Dolan et al.
D382,367 S * 8/1997 Andrade et al. D28/65
5,692,531 A 12/1997 Chodorow
D398,076 S 9/1998 Hafkin
D401,701 S 11/1998 Chodorow
5,829,458 A 11/1998 Chodorow
D403,120 S 12/1998 Enriquez
D410,115 S 5/1999 Chodorow
D412,043 S 7/1999 Dolan et al.
5,975,296 A 11/1999 Dolan et al.
D424,748 S 5/2000 Dolan et al.
D481,829 S 11/2003 Gwen
D484,643 S 12/2003 Nanda
D489,490 S 5/2004 Chodorow
D497,222 S 10/2004 Ochs et al.
D503,496 S 3/2005 Nanda
D523,934 S 6/2006 Schaffeld et al.

D525,392 S 7/2006 Crossman
D531,756 S 11/2006 Yost et al.
D531,758 S 11/2006 Jansheski et al.
D532,160 S 11/2006 Jansheski et al.
D532,934 S 11/2006 Crossman
D545,499 S 6/2007 Xu
7,370,658 B2 5/2008 Chodorow et al.
D578,254 S * 10/2008 Grendol D28/66
2007/0017546 A1 1/2007 Brown
2007/0157946 A1 7/2007 Lui et al.
2008/0185016 A1 8/2008 Jansheski et al.

FOREIGN PATENT DOCUMENTS

GB 2003250 5/1990
WO WO 00/36993 6/2000
WO WO 01/12100 2/2001

OTHER PUBLICATIONS

Floss Accessories from <http://ranir.com/travel-12.html>, Feb. 11, 2009, 10 pages, © Johnson and Johnson Corporation.
Plackers® Dental Products From Placontrol from <http://www.dentist.net/plackers.asp>, Feb. 11, 2009, 8 pages.

* cited by examiner

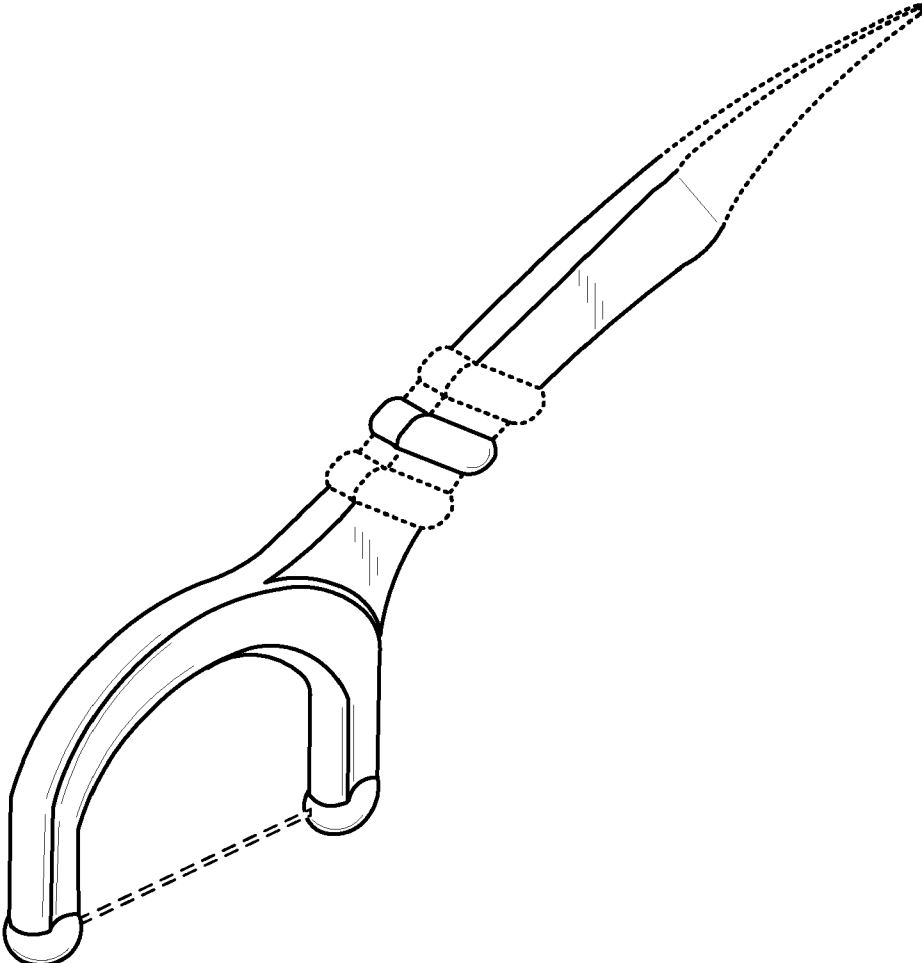


Fig. 1

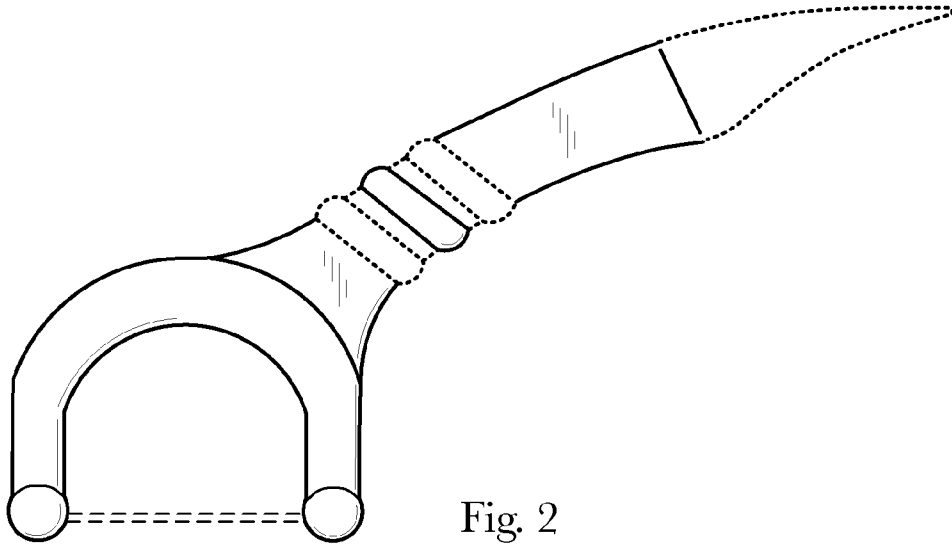


Fig. 2

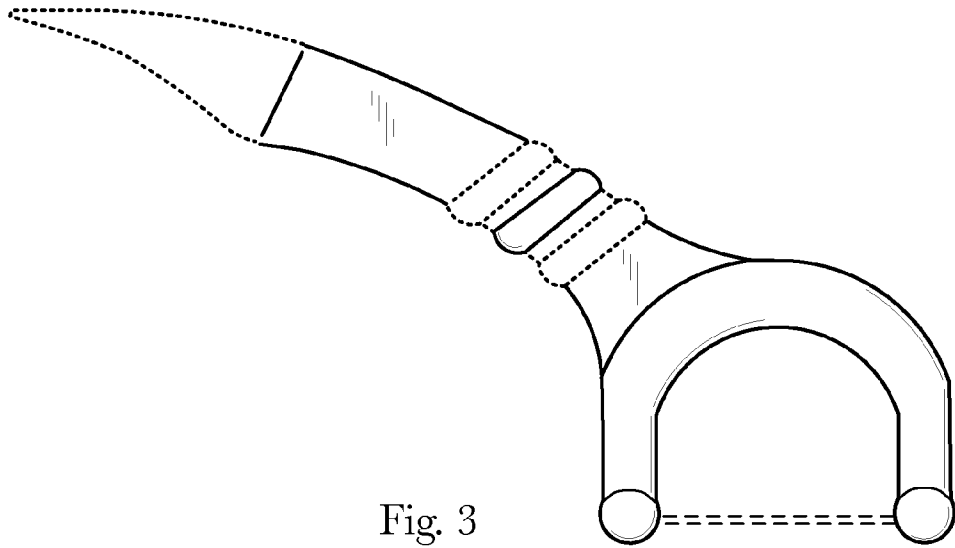


Fig. 3

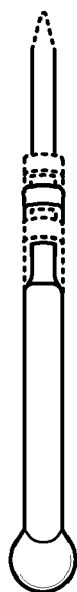


Fig. 4

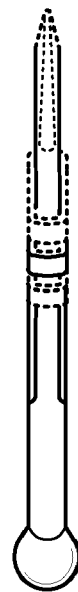


Fig. 5

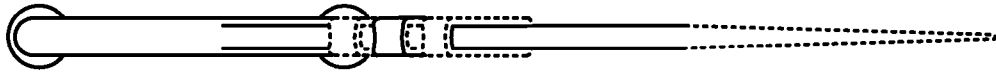


Fig. 6



Fig. 7