

(19) World Intellectual Property Organization
International Bureau



(43) International Publication Date
8 June 2006 (08.06.2006)

PCT

(10) International Publication Number
WO 2006/060657 A3

(51) International Patent Classification:
A61M 5/00 (2006.01)

(21) International Application Number:
PCT/US2005/043627

(22) International Filing Date:
1 December 2005 (01.12.2005)

(25) Filing Language: English

(26) Publication Language: English

(30) Priority Data:
11/003,915 3 December 2004 (03.12.2004) US

(71) Applicant (for all designated States except US):
SHEATHING TECHNOLOGIES, INC. [US/US];
18431 Technology Drive, Morgan Hill, California
95037-2822 (US).

(72) Inventors; and

(75) Inventors/Applicants (for US only): **STEVENS, Richard J.** [US/US]; 935 Rock Canyon Circle, San Jose, California 95127 (US). **POLAYES, Lawrence S.** [US/US]; 2850 Tohara Way, Morgan Hill, California 95037 (US).

(74) Agent: **HOEKENDIJK, Jens E.**; Law Office Of Jens E. Hoekendijk, 601 Gateway Boulevard, Suite 780, South San Francisco, California 94080 (US).

(81) Designated States (unless otherwise indicated, for every kind of national protection available): AE, AG, AL, AM, AT, AU, AZ, BA, BB, BG, BR, BW, BY, BZ, CA, CH, CN, CO, CR, CU, CZ, DE, DK, DM, DZ, EC, EE, EG, ES, FI, GB, GD, GE, GH, GM, HR, HU, ID, IL, IN, IS, JP, KE, KG, KM, KN, KP, KR, KZ, LC, LK, LR, LS, LT, LU, LV, LY, MA, MD, MG, MK, MN, MW, MX, MZ, NA, NG, NI, NO, NZ, OM, PG, PH, PL, PT, RO, RU, SC, SD, SE, SG, SK, SL, SM, SY, TJ, TM, TN, TR, TT, TZ, UA, UG, US, UZ, VC, VN, YU, ZA, ZM, ZW.

(84) Designated States (unless otherwise indicated, for every kind of regional protection available): ARIPO (BW, GH, GM, KE, LS, MW, MZ, NA, SD, SL, SZ, TZ, UG, ZM, ZW), Eurasian (AM, AZ, BY, KG, KZ, MD, RU, TJ, TM), European (AT, BE, BG, CH, CY, CZ, DE, DK, EE, ES, FI, FR, GB, GR, HU, IE, IS, IT, LT, LU, LV, MC, NL, PL, PT, RO, SE, SI, SK, TR), OAPI (BF, BJ, CF, CG, CI, CM, GA, GN, GQ, GW, ML, MR, NE, SN, TD, TG).

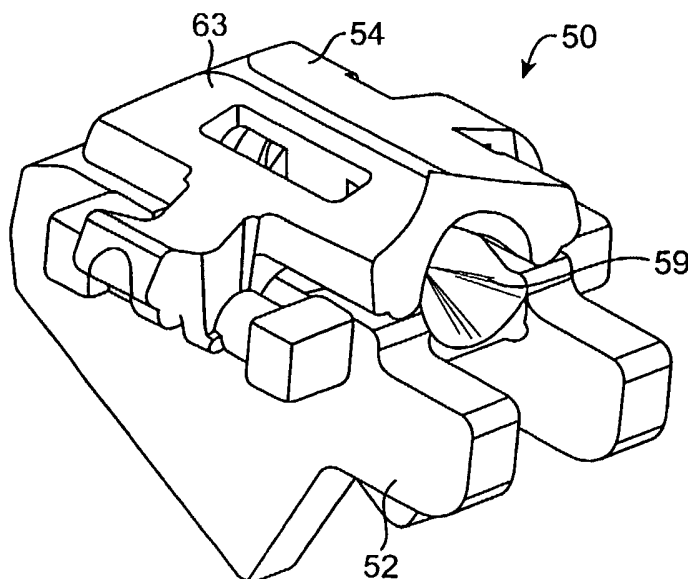
Published:

- with international search report
- before the expiration of the time limit for amending the claims and to be republished in the event of receipt of amendments

(88) Date of publication of the international search report:
10 August 2006

For two-letter codes and other abbreviations, refer to the "Guidance Notes on Codes and Abbreviations" appearing at the beginning of each regular issue of the PCT Gazette.

(54) Title: METHODS AND DEVICES FOR COUPLING A NEEDLE TO AN ULTRASOUND DEVICE AND GUIDING ADVANCEMENT OF THE NEEDLE



(57) Abstract: A needle guide kit is provided which includes a needle guide and a retainer. The needle guide is coupled to an ultrasound device either directly or via an adapter. The needle guide has an open v-shaped slot which can receive a number of different needle sizes. The retainer can be attached to the needle guide to form a needle channel between the needle guide and retainer. Each retainer corresponds to a different needle size whereas each of the different needle guides correspond to a different trajectory for advancing the needle.

WO 2006/060657 A3

INTERNATIONAL SEARCH REPORT

International application No.

PCT/US05/43627

A. CLASSIFICATION OF SUBJECT MATTER
 IPC: **A61M 5/00**(2006.01)

USPC: 604/110
 According to International Patent Classification (IPC) or to both national classification and IPC

B. FIELDS SEARCHED

Minimum documentation searched (classification system followed by classification symbols)
 U.S. : Please See Continuation Sheet

Documentation searched other than minimum documentation to the extent that such documents are included in the fields searched

Electronic data base consulted during the international search (name of data base and, where practicable, search terms used)

C. DOCUMENTS CONSIDERED TO BE RELEVANT

Category *	Citation of document, with indication, where appropriate, of the relevant passages	Relevant to claim No.
A	US 4346717 A (Haerten) 31 August 1982 Note: Please review the entire patent.	1-49
A	US 4469106 A (Harui) 04 September 1984 Note: Please review the entire patent.	1-49

Further documents are listed in the continuation of Box C.

See patent family annex.

* Special categories of cited documents:

- "A" document defining the general state of the art which is not considered to be of particular relevance
- "E" earlier application or patent published on or after the international filing date
- "L" document which may throw doubts on priority claim(s) or which is cited to establish the publication date of another citation or other special reason (as specified)
- "O" document referring to an oral disclosure, use, exhibition or other means
- "P" document published prior to the international filing date but later than the priority date claimed

- "T" later document published after the international filing date or priority date and not in conflict with the application but cited to understand the principle or theory underlying the invention
- "X" document of particular relevance; the claimed invention cannot be considered novel or cannot be considered to involve an inventive step when the document is taken alone
- "Y" document of particular relevance; the claimed invention cannot be considered to involve an inventive step when the document is combined with one or more other such documents, such combination being obvious to a person skilled in the art
- "&" document member of the same patent family

Date of the actual completion of the international search
 15 May 2006 (15.05.2006)

Date of mailing of the international search report
 05 JUN 2006

Name and mailing address of the ISA/US
 Mail Stop PCT, Attn: ISA/US
 Commissioner for Patents
 P.O. Box 1450
 Alexandria, Virginia 22313-1450
 Facsimile No. (571) 273-3201

Authorized officer
 For Manuel Mendez *Jugenia Leby*
 Telephone No. 703-000-000

INTERNATIONAL SEARCH REPORT

International application No.
PCT/US05/43627

Continuation of B. FIELDS SEARCHED Item 1:

604/110
600/461