



US00D443026S

(12) **United States Design Patent** (10) **Patent No.:** **US D443,026 S**
Kollmann et al. (45) **Date of Patent:** **** May 29, 2001**

(54) **SHOWER NOZZLE, ESPECIALLY FOR BODY SHOWERS**

(75) Inventors: **Fabian Kollmann; Tom Schönherr; Andreas Haug**, all of Stuttgart (DE)

(73) Assignee: **Hansgrohe AG** (DE)

(**) Term: **14 Years**

(21) Appl. No.: **29/126,280**

(22) Filed: **Jul. 12, 2000**

(51) **LOC (7) Cl.** **23-01**

(52) **U.S. Cl.** **D23/229; D23/213**

(58) **Field of Search** **D23/213, 223, D23/226, 229-230; 239/460-462**

(56) **References Cited**

U.S. PATENT DOCUMENTS

- D. 385,334 * 10/1997 Caroen et al. D23/229
- D. 427,661 * 7/2000 Haverstraw et al. D23/229
- D. 430,267 * 8/2000 Milrud et al. D23/229
- D. 432,213 * 10/2000 Tse D23/229

OTHER PUBLICATIONS

Pp. 10/11, 28/29 and 20/21 from the prospectus GRO-HETEC "Brausen-Programm" published in Mar. 1997.
Hansgrohe catalog "Brausen 1999", published in Oct. 1999.
Hansgrohe catalog "Brausen 2000", published in Dec. 1999.

* cited by examiner

Primary Examiner—Robin V. Taylor

(74) *Attorney, Agent, or Firm*—Duane, Morris & Heckscher LLP

(57) **CLAIM**

The ornamental design for a shower nozzle, especially for body showers, as shown and described.

DESCRIPTION

FIG. 1 is a side perspective view of a shower nozzle, especially for body showers, showing our new design;

FIG. 2 is a side perspective view thereof with a different position of the nozzles;

FIG. 3 is a side elevation view thereof;

FIG. 4 is a further side elevation view thereof;

FIG. 5 is a front elevation view thereof;

FIG. 6 is a rear elevation view thereof; and,

FIG. 7 is an opposite side elevation view of FIG. 3.

1 Claim, 4 Drawing Sheets

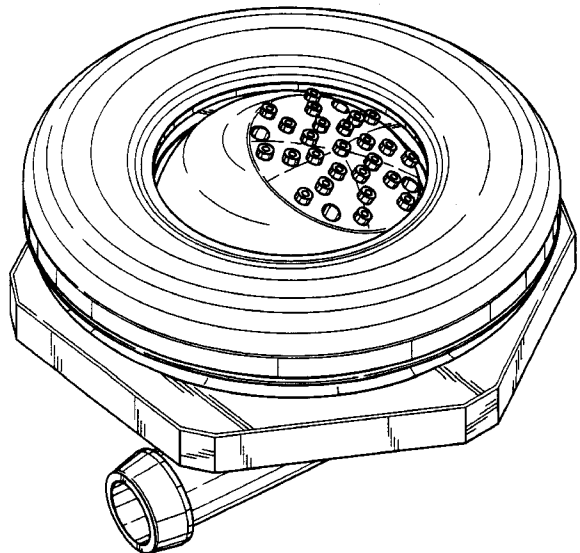
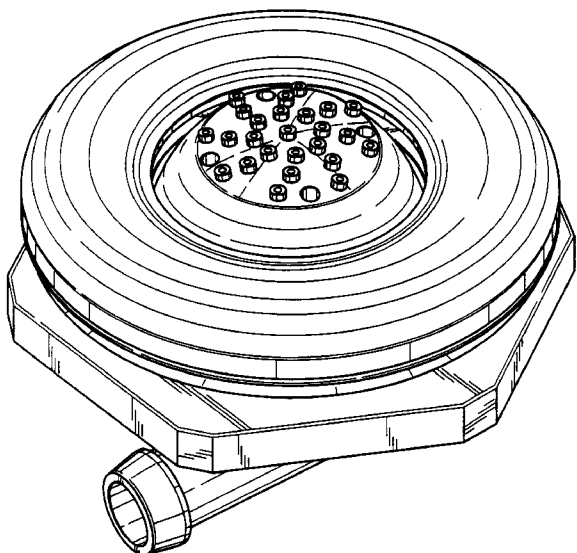


FIG. 1

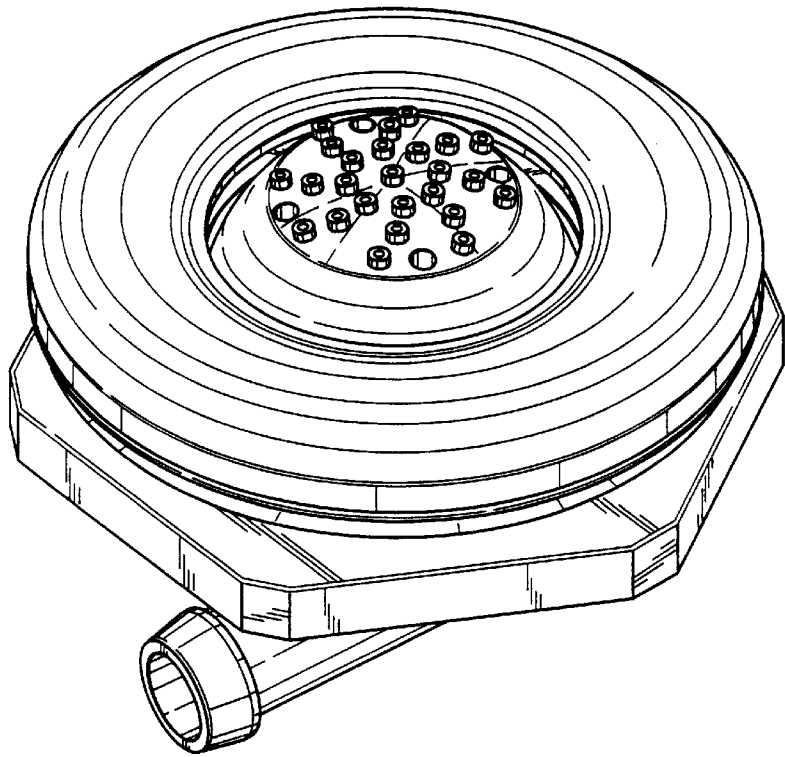


FIG. 2

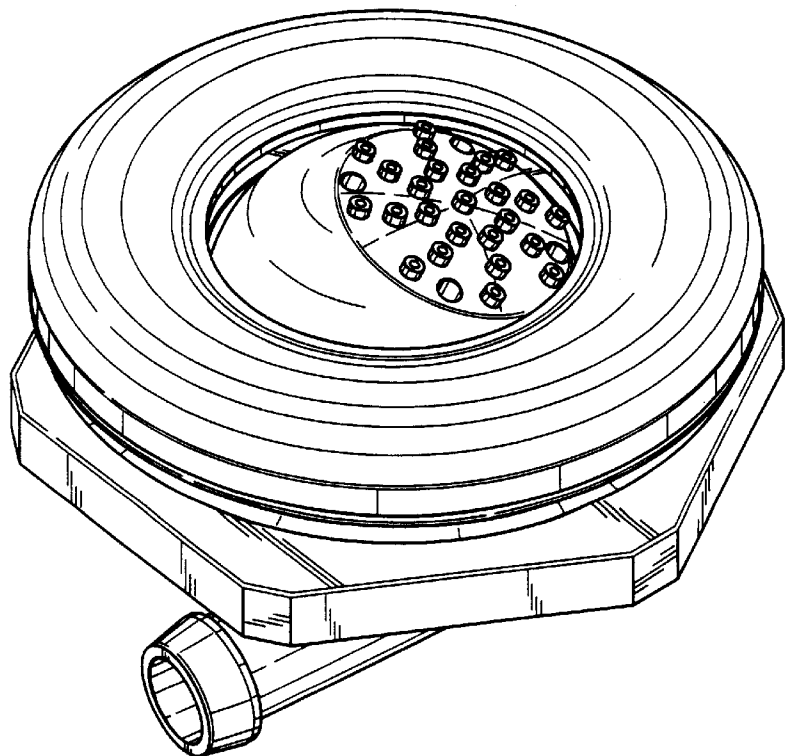


FIG. 4

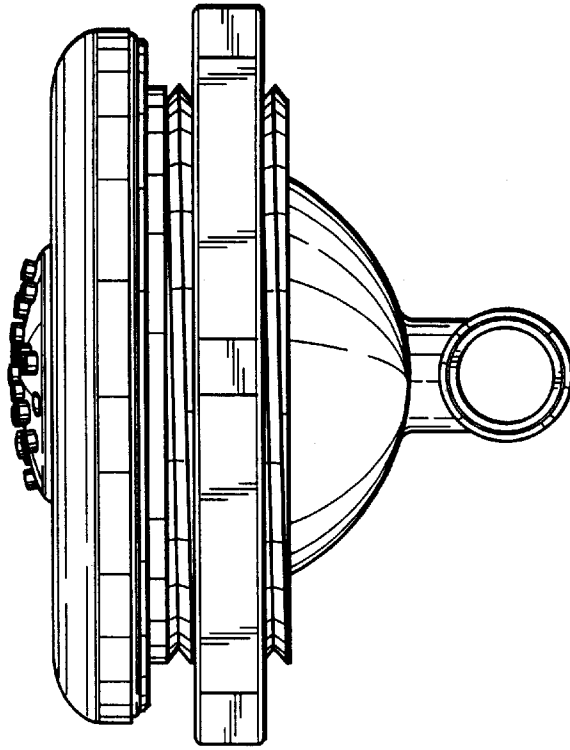
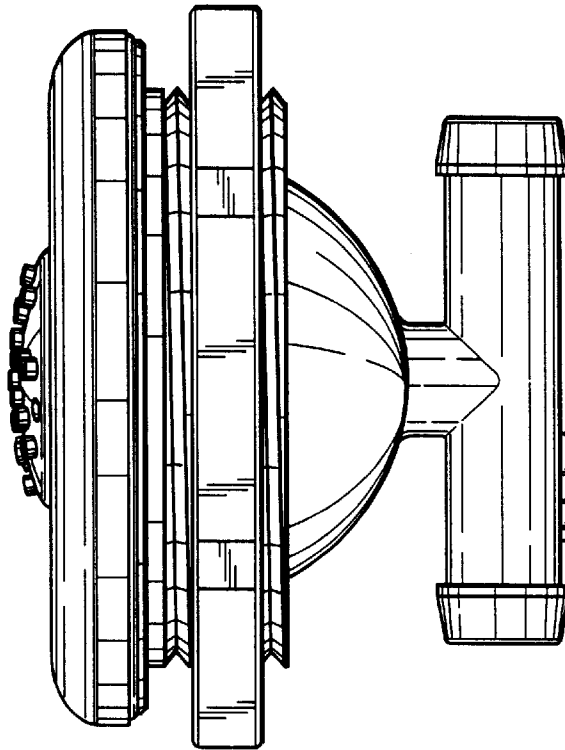


FIG. 3



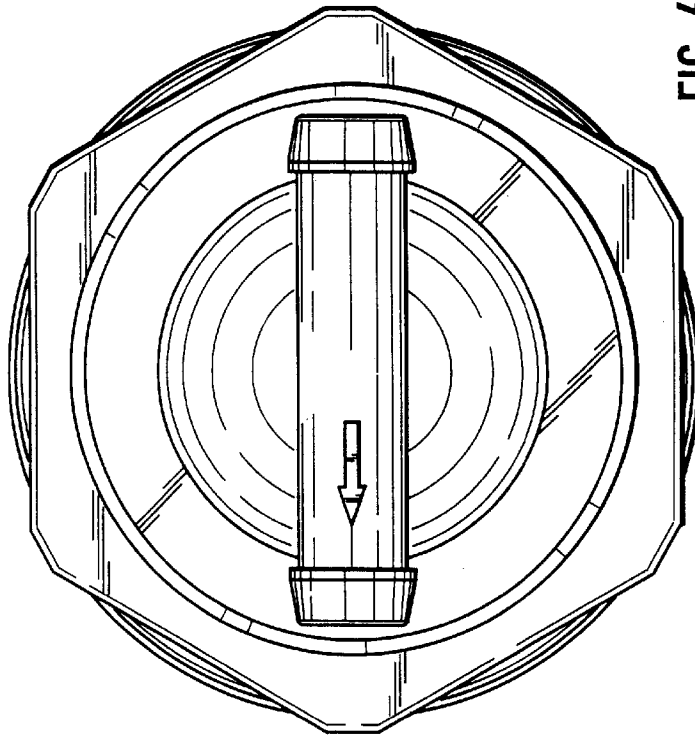


FIG. 6

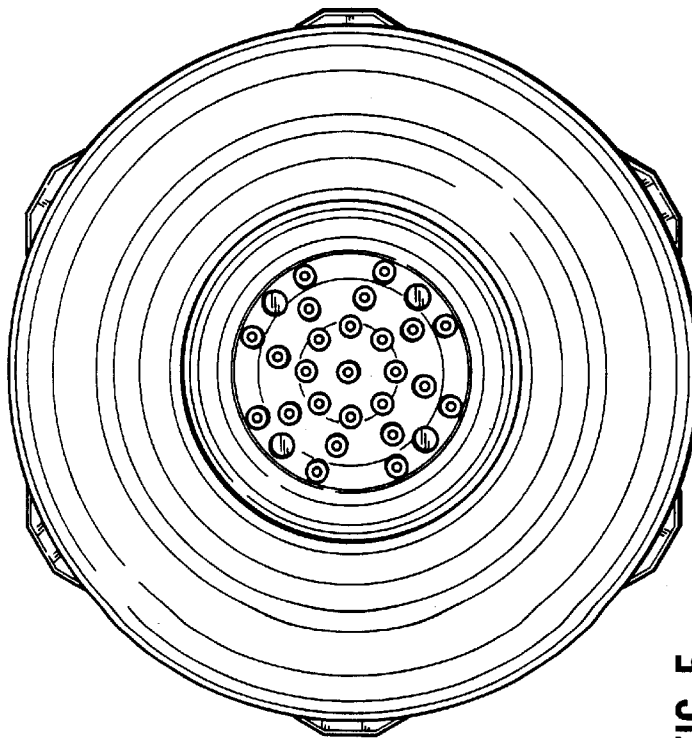


FIG. 5

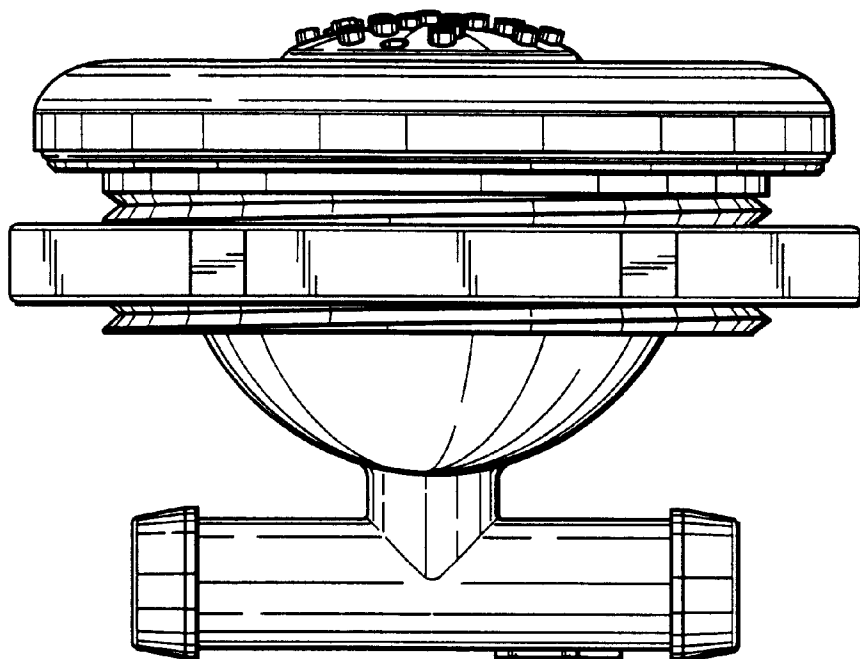


FIG. 7