



US00D730796S

(12) **United States Design Patent**  
**Dingle et al.**

(10) **Patent No.:** **US D730,796 S**

(45) **Date of Patent:** **\*\* Jun. 2, 2015**

(54) **VEHICLE WHEEL**

(71) Applicant: **Carbon Revolution Pty Ltd**, Waurn Ponds, VIC (AU)

(72) Inventors: **Matthew Edward Dingle**, Torquay (AU); **Ashley James Denmead**, Belmont (AU); **Michael Dunbar Silcock**, Caulfield North (AU); **Donald Brett Gass**, Dreieich (DE)

(73) Assignee: **Carbon Revolution Pty Ltd**, Victoria (AU)

(\*\*) Term: **14 Years**

(21) Appl. No.: **29/477,728**

(22) Filed: **Dec. 26, 2013**

(51) **LOC (10) Cl.** ..... **12-16**

(52) **U.S. Cl.**  
USPC ..... **D12/209**

(58) **Field of Classification Search**  
USPC ..... D12/204–213  
CPC ..... B60B 7/00; B60B 7/02; B60B 7/04; B60B 7/01; B60B 7/06; B60B 3/02; B60B 3/04; B60B 3/06; B60B 3/10; B60B 1/00; B60B 1/08; B60B 1/10; B60B 1/12  
See application file for complete search history.

(56) **References Cited**

**U.S. PATENT DOCUMENTS**

D231,656 S *	5/1974	Ishibashi	.....	D12/211
D350,523 S *	9/1994	Mobius	.....	D12/209
D391,913 S *	3/1998	Chung	.....	D12/209

D428,592 S *	7/2000	Melegari et al.	.....	D12/209
D438,500 S *	3/2001	Embrador	.....	D12/209
D461,754 S *	8/2002	Hoshino	.....	D12/209
D486,108 S *	2/2004	Min	.....	D12/209
D492,234 S *	6/2004	Kataoka	.....	D12/209
D503,915 S *	4/2005	Markefka	.....	D12/209
D525,927 S *	8/2006	Pfeiffer	.....	D12/209
D535,933 S *	1/2007	Markefka	.....	D12/209
D544,426 S *	6/2007	Siler	.....	D12/209
D549,633 S *	8/2007	Sycha	.....	D12/209
D570,759 S *	6/2008	Antoniadis et al.	.....	D12/209
D644,154 S *	8/2011	Antoniadis et al.	.....	D12/209
D658,103 S *	4/2012	Choe et al.	.....	D12/209
D677,208 S *	3/2013	Gotschke	.....	D12/209
D693,283 S *	11/2013	Chinavare	.....	D12/209
D704,116 S *	5/2014	Chung	.....	D12/209
D713,312 S *	9/2014	Villarruel	.....	D12/209
D719,888 S *	12/2014	Stolz	.....	D12/209

\* cited by examiner

*Primary Examiner* — Stacia Cadmus

(74) *Attorney, Agent, or Firm* — Womble Carlyle Sandridge & Rice LLP

(57) **CLAIM**

The ornamental design for a vehicle wheel, as shown and described.

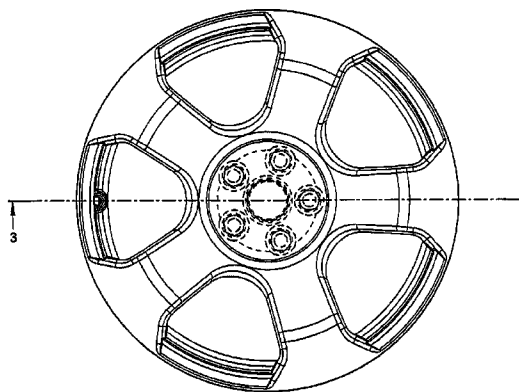
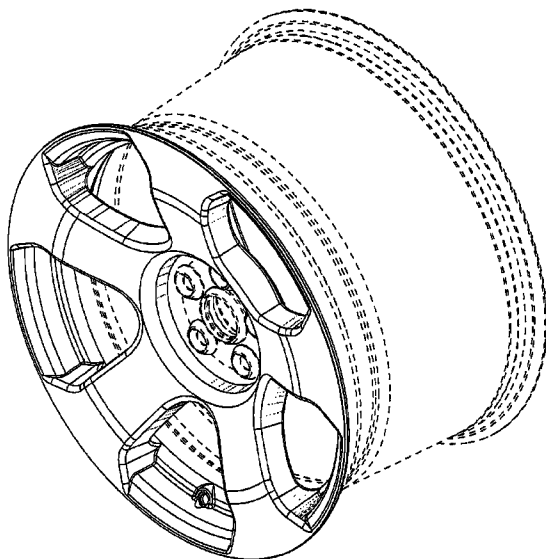
**DESCRIPTION**

FIG. 1 is a perspective view of a vehicle wheel showing our new design;

FIG. 2 is a front view of the vehicle wheel of FIG. 1; and, FIG. 3 is a cross-section view taken along the plane 3-3 of FIG. 2.

The broken lines shown in the drawings are for illustrative purposes only and form no part of the claimed design.

**1 Claim, 2 Drawing Sheets**



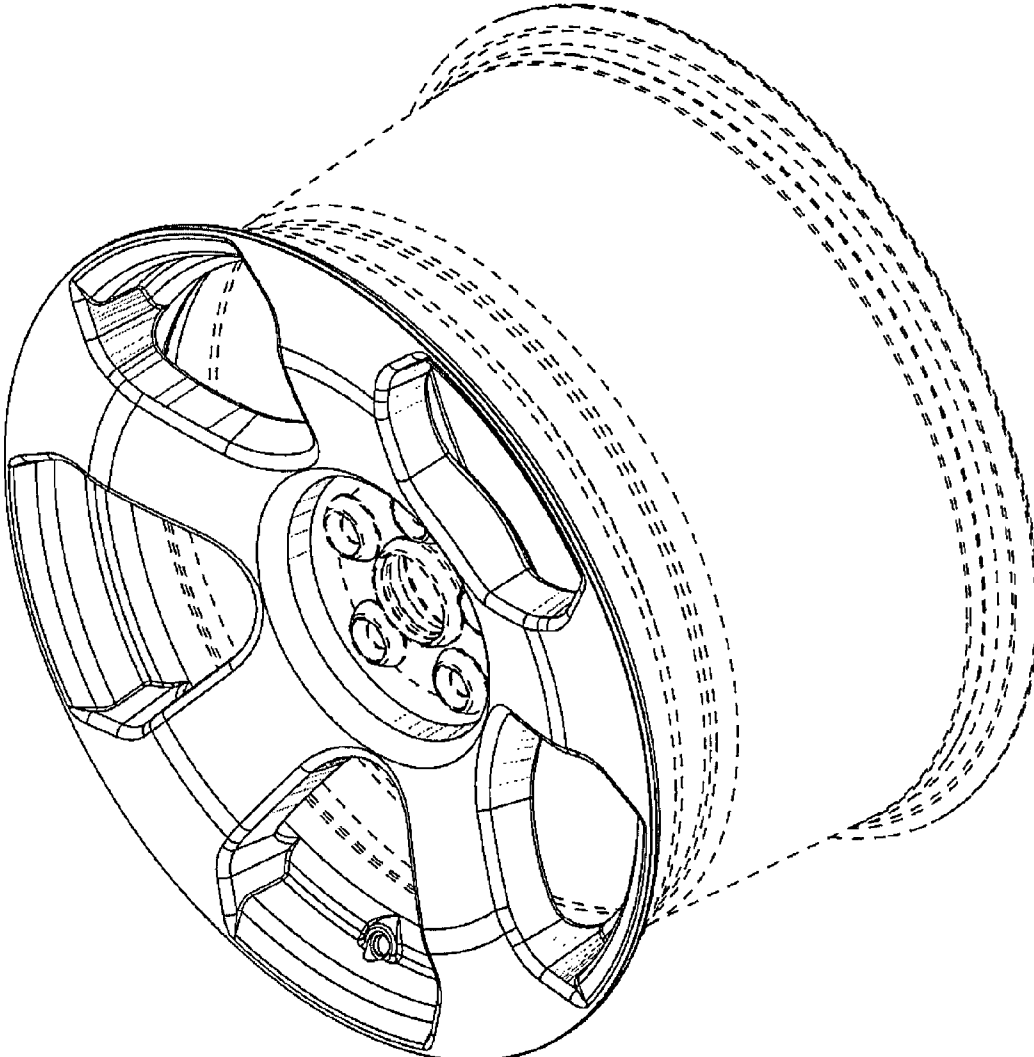


FIG 1

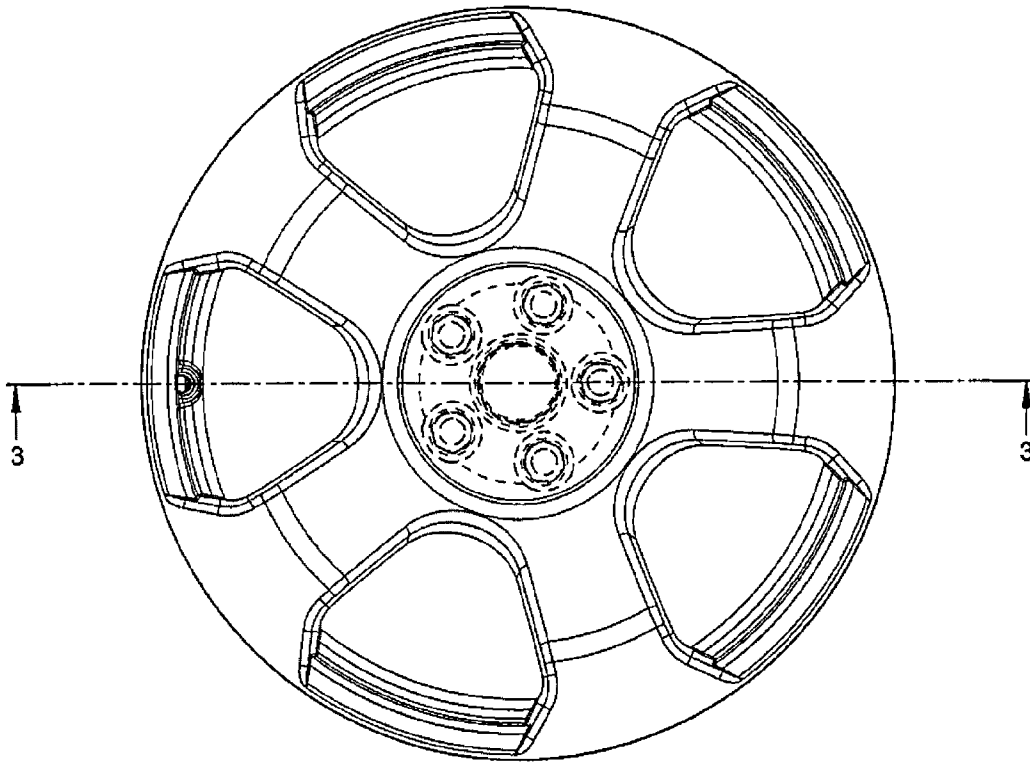


FIG 2

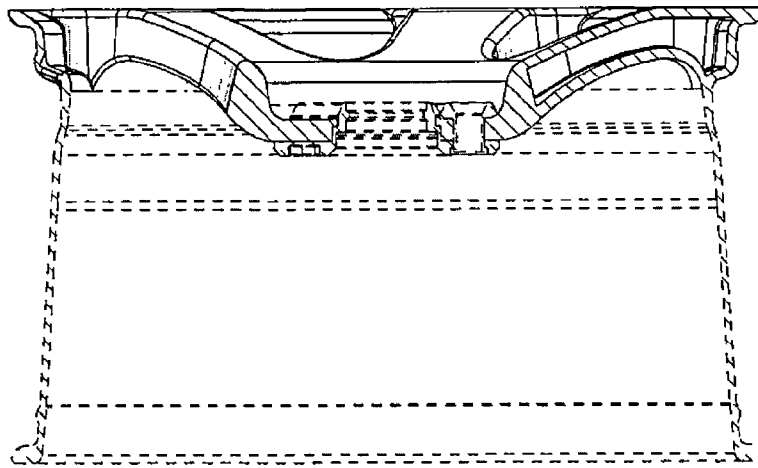


FIG 3