



US00D734112S

(12) **United States Design Patent**  
**Herault et al.**

(10) **Patent No.:** **US D734,112 S**

(45) **Date of Patent:** **\*\* Jul. 14, 2015**

(54) **RIVETING TOOL**

(56) **References Cited**

(71) Applicant: **Etablissement Georges Renault**  
**(Societe par actions simplifiee),**  
Saint-Herblain (FR)

(72) Inventors: **David Herault, Ligne (FR); Valentin**  
**Huet, Bouguenais (FR); Diane Roesch,**  
Orvault (FR)

(73) Assignee: **Etablissement Georges Renault,**  
Saint-Herblain (FR)

(\*\*) Term: **14 Years**

(21) Appl. No.: **29/450,893**

(22) Filed: **Mar. 25, 2013**

(30) **Foreign Application Priority Data**

Sep. 25, 2012 (EM) ..... 002108852-0001  
Sep. 25, 2012 (EM) ..... 002108852-0002  
Sep. 25, 2012 (EM) ..... 002108852-0003

(51) **LOC (10) Cl.** ..... **08-01**

(52) **U.S. Cl.**  
USPC ..... **D8/61**

(58) **Field of Classification Search**  
USPC ..... D8/61, 62, 67, 69; 81/57, 57.11, 57.14,  
81/57.26, 429, 464, 469; 173/2, 170, 176,  
173/181  
CPC ..... B25B 27/10; B25B 27/146; B25B 7/12;  
B25B 7/126; B25B 27/00; B25B 28/00;  
H01R 43/0428

See application file for complete search history.

U.S. PATENT DOCUMENTS

5,642,566	A *	7/1997	Hirabayashi	30/228
5,953,822	A *	9/1999	Vogelsanger	30/228
6,449,822	B1 *	9/2002	Gilbert et al.	29/243.521
6,990,888	B2 *	1/2006	Harwath et al.	91/428
7,107,812	B1 *	9/2006	Patton et al.	72/392
D531,867	S *	11/2006	Payne et al.	D8/61
7,254,982	B2 *	8/2007	Frenken	72/453.15
7,464,578	B2 *	12/2008	Ayer et al.	72/453.15
7,487,654	B2 *	2/2009	Lefavour et al.	72/31.01
7,762,117	B2 *	7/2010	Faucher et al.	72/482.92
7,841,223	B2 *	11/2010	Rollins et al.	72/453.15
D657,220	S *	4/2012	Isobe et al.	D8/61
D657,221	S *	4/2012	Isobe et al.	D8/61
D673,829	S *	1/2013	Takeshima et al.	D8/61
D690,177	S *	9/2013	Frenken	D8/68
D696,090	S *	12/2013	Takeshima et al.	D8/61
D716,124	S *	10/2014	Kamijyo	D8/61

\* cited by examiner

*Primary Examiner* — Austin Murphy

(74) *Attorney, Agent, or Firm* — Workman Nydegger

(57) **CLAIM**

The ornamental design for a riveting tool, as shown and described.

**DESCRIPTION**

FIG. 1 is a bottom plan view of a riveting tool showing our new design;

FIG. 2 is a top plan view thereof;

FIG. 3 is a right side elevational view thereof;

FIG. 4 is a rear elevational view thereof;

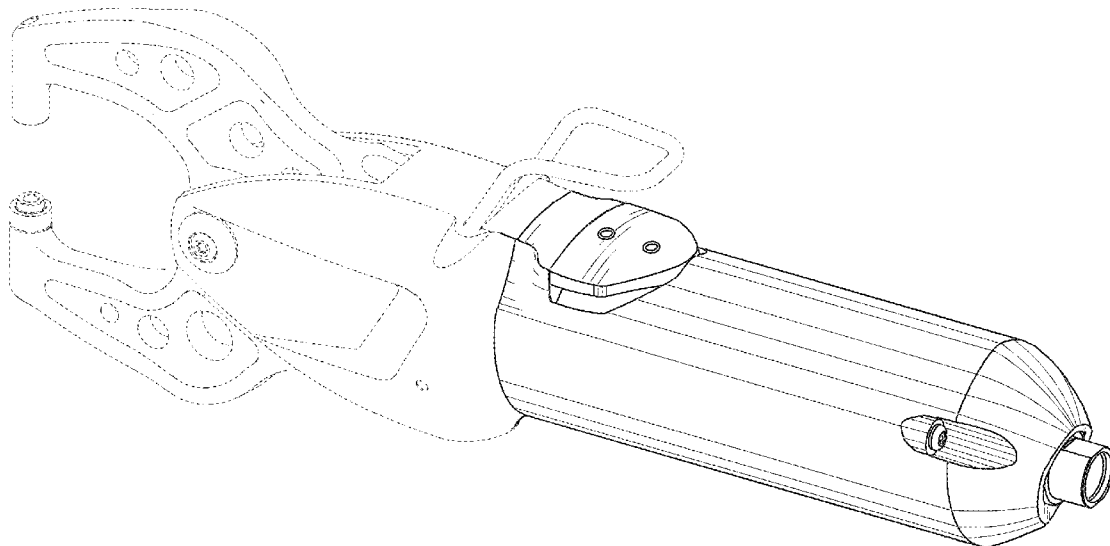
FIG. 5 is a front elevational view thereof;

FIG. 6 is a front perspective view thereof; and,

FIG. 7 is a rear perspective thereof.

The broken lines showing portions of the riveting tool are for the purpose of illustration and form no part of the claimed design.

**1 Claim, 5 Drawing Sheets**



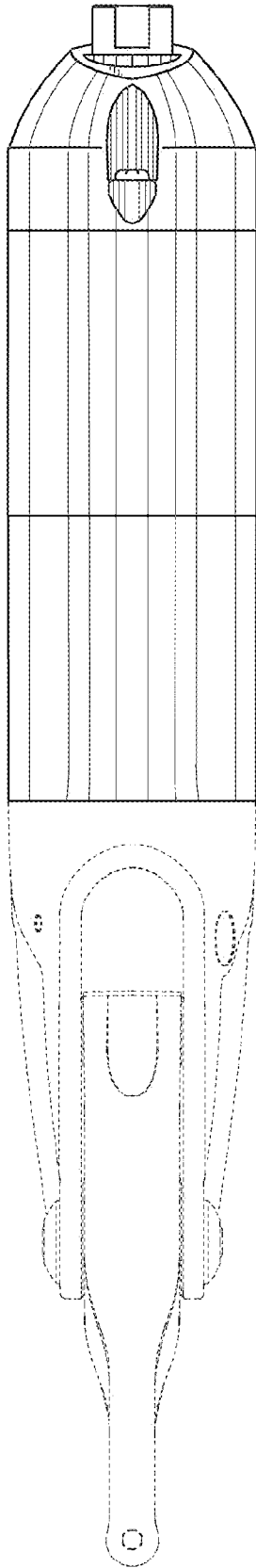


FIG. 1

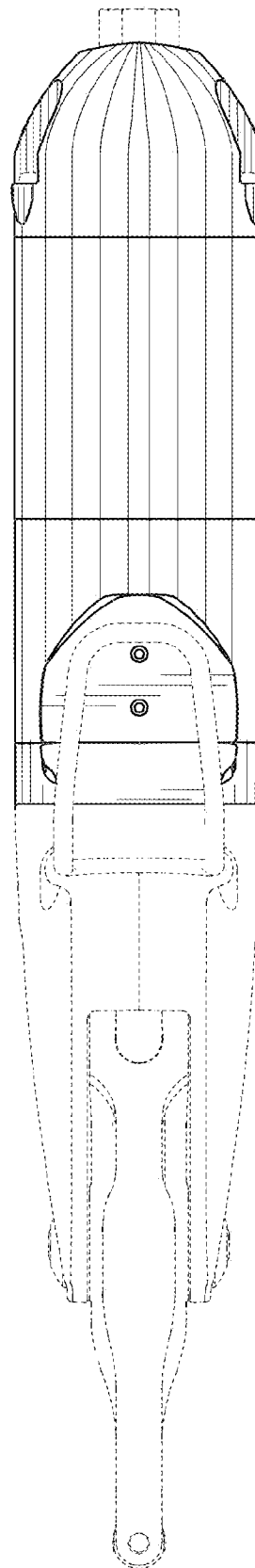


FIG. 2

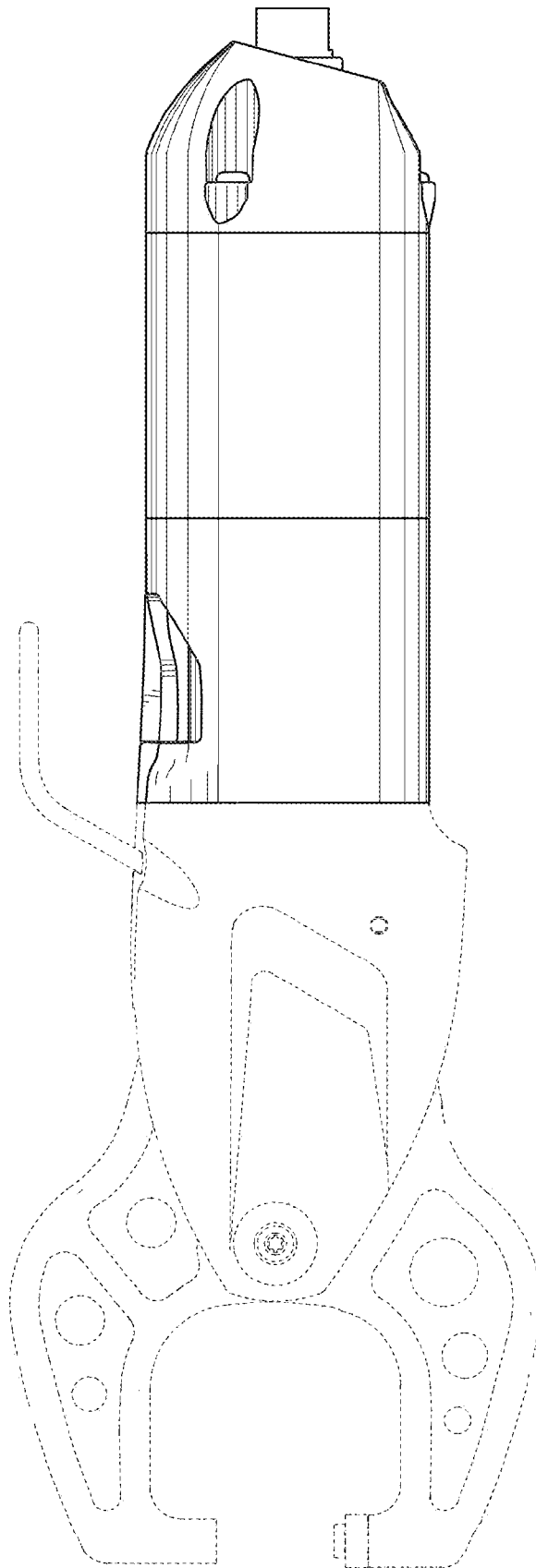


FIG. 3

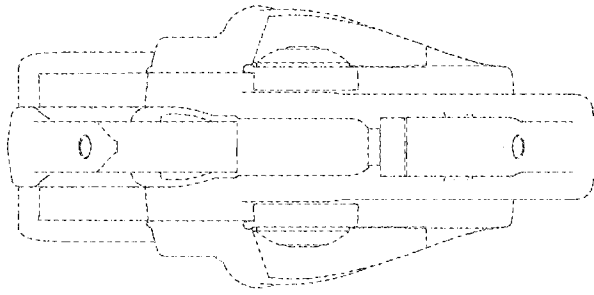


FIG. 5

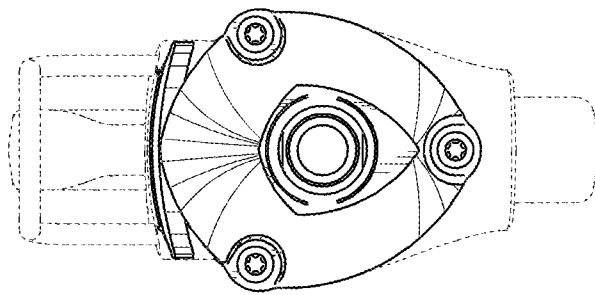


FIG. 4

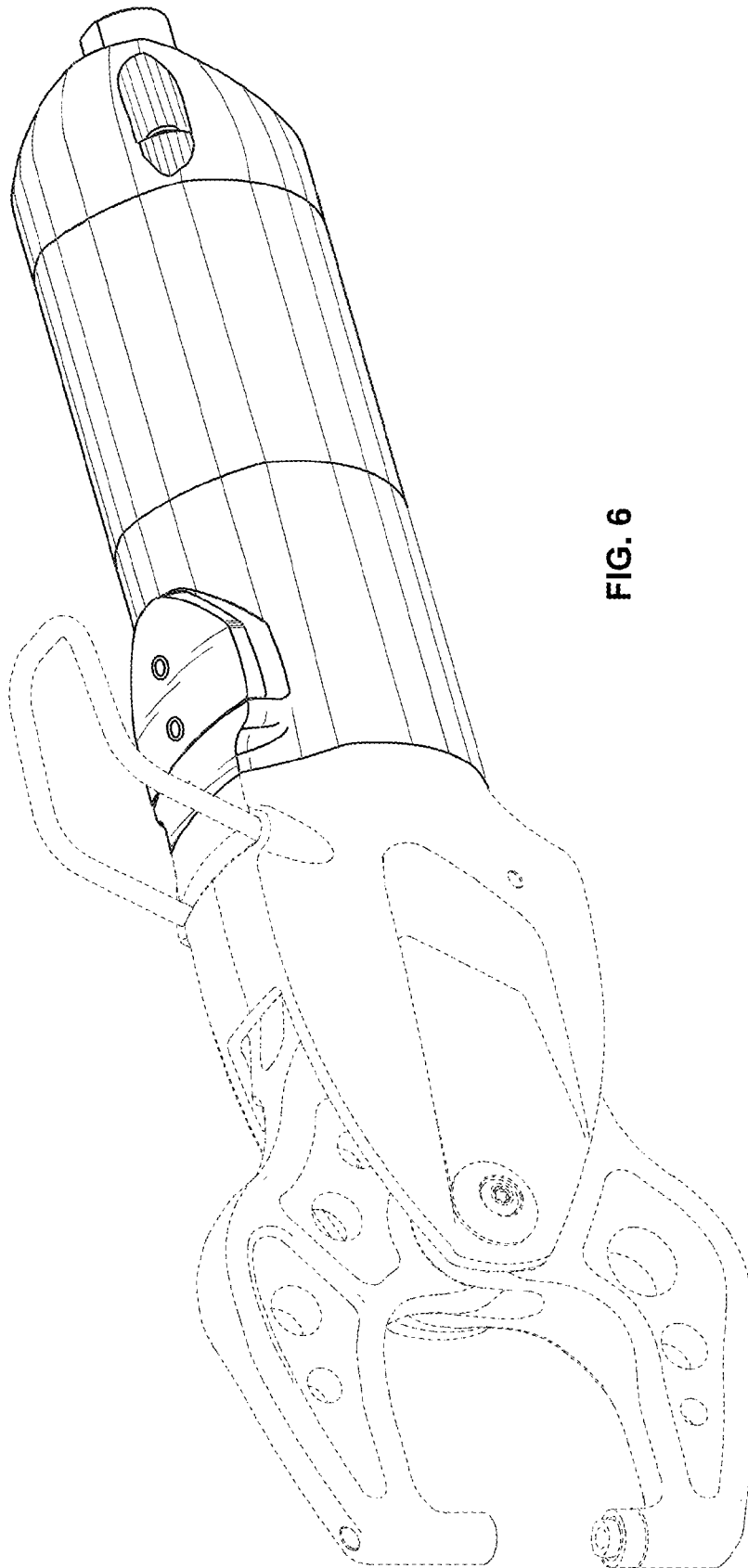


FIG. 6

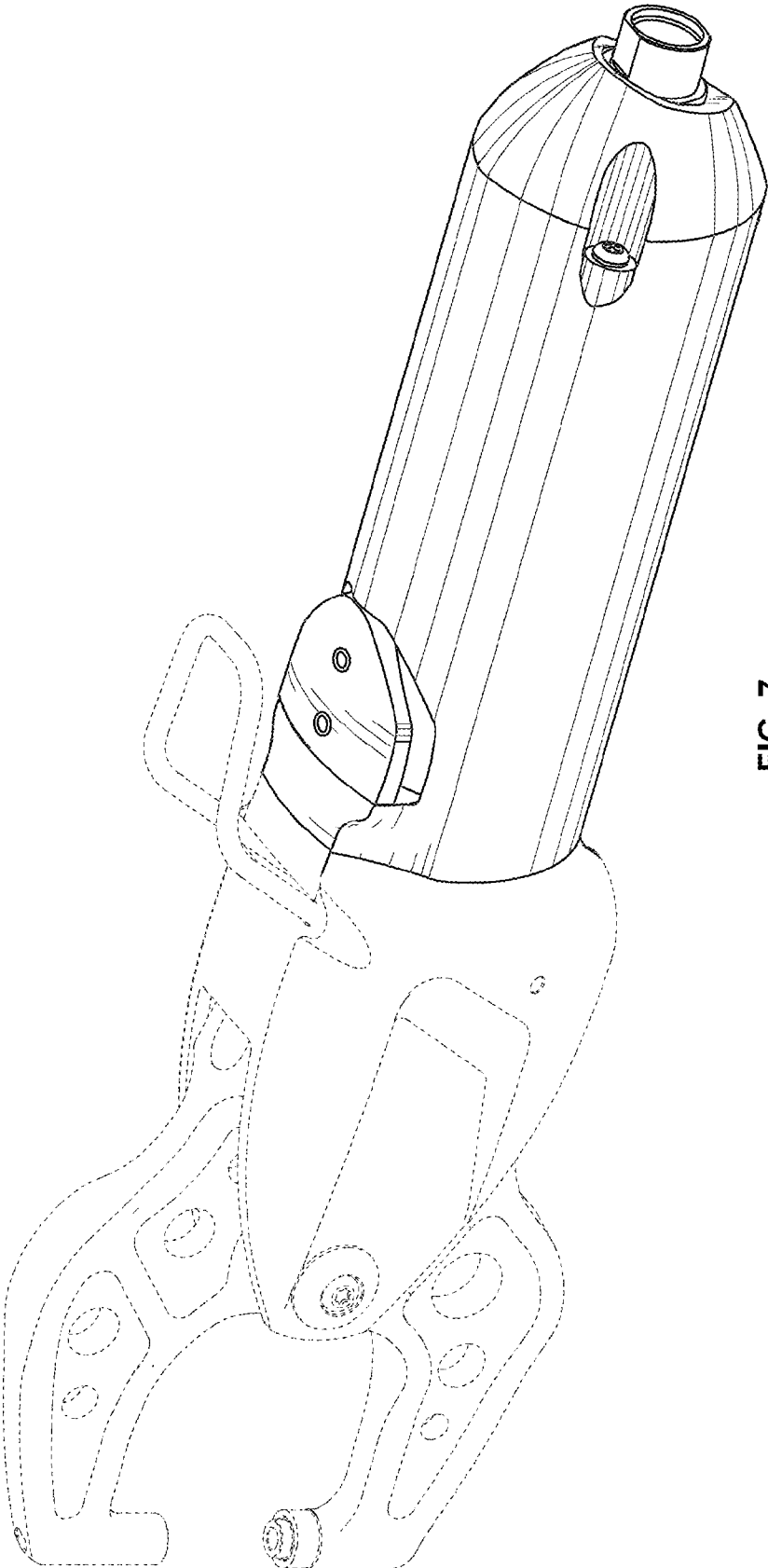


FIG. 7