



US00D445172S

(12) **United States Design Patent** (10) **Patent No.:** **US D445,172 S**
Slothower (45) **Date of Patent:** **** Jul. 17, 2001**

(54) **ADJUSTABLE SHOWER FIXTURE**
(75) Inventor: **Anna-Pia K. Slothower**, Sheboygan, WI (US)
(73) Assignee: **Kohler Co.**, Kohler, WI (US)
(**) Term: **14 Years**

Primary Examiner—Louis S. Zarfes
Assistant Examiner—Robert A. Delehanty
(74) *Attorney, Agent, or Firm*—Quarles & Brady LLP

(57) **CLAIM**

The ornamental design for an adjustable shower fixture, as shown and described.

(21) Appl. No.: **29/121,403**
(22) Filed: **Apr. 6, 2000**
(51) **LOC (7) Cl.** **23-02**
(52) **U.S. Cl.** **D23/304**
(58) **Field of Search** D23/213, 223, 223/228, 275, 283, 303, 304; D8/354, 355; 248/125.1; 4/567, 568, 570, 576.1, 596, 601, 615, 695

DESCRIPTION

In a preferred embodiment, the nature of this product is as a plumbing fixture primarily useful for washing the body of humans.

FIG. 1 is a right, top, front perspective view of an adjustable shower fixture embodying my new design;

FIG. 2 is a front elevational view thereof;

FIG. 3 is a left side elevational view thereof (and of the FIG. 8 embodiment), the right side elevational view thereof (and of the FIG. 8 embodiment) being a mirror image of the left side shown;

FIG. 4 is a top plan view thereof;

FIG. 5 is a rear elevational view thereof;

FIG. 6 is a front elevational view thereof showing the adjustable horizontal nozzles in a different position;

FIG. 7 is a front elevational view thereof showing the adjustable curved nozzle stanchions in a different position;

FIG. 8 is a front elevational view of a second embodiment that is identical to the first except that one of the cane spouts has been removed and the other centered; and,

FIG. 9 is a view of the second embodiment identical to FIG. 8, but showing the spout rotated somewhat.

The broken line representations of plumbing fittings in FIGS. 1-4 and 6-9 are for the purpose of illustration only, and form no part of the claimed design.

(56) **References Cited**

U.S. PATENT DOCUMENTS

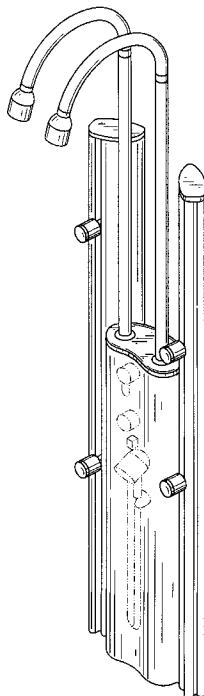
- D. 284,688 * 7/1986 Baus D23/283
- D. 391,341 * 2/1998 Sutherland D23/304 X
- 4,174,822 * 11/1979 Larsson D23/223 X

OTHER PUBLICATIONS

- 1997 Kludi catalog ad showing a shower fixture.
- Undated Kohler catalog ad, p. 45, showing a “Master-shower” shower fixture.
- Undated Cesana catalog ad showing a “Model Logic” shower fixture.

* cited by examiner

1 Claim, 6 Drawing Sheets



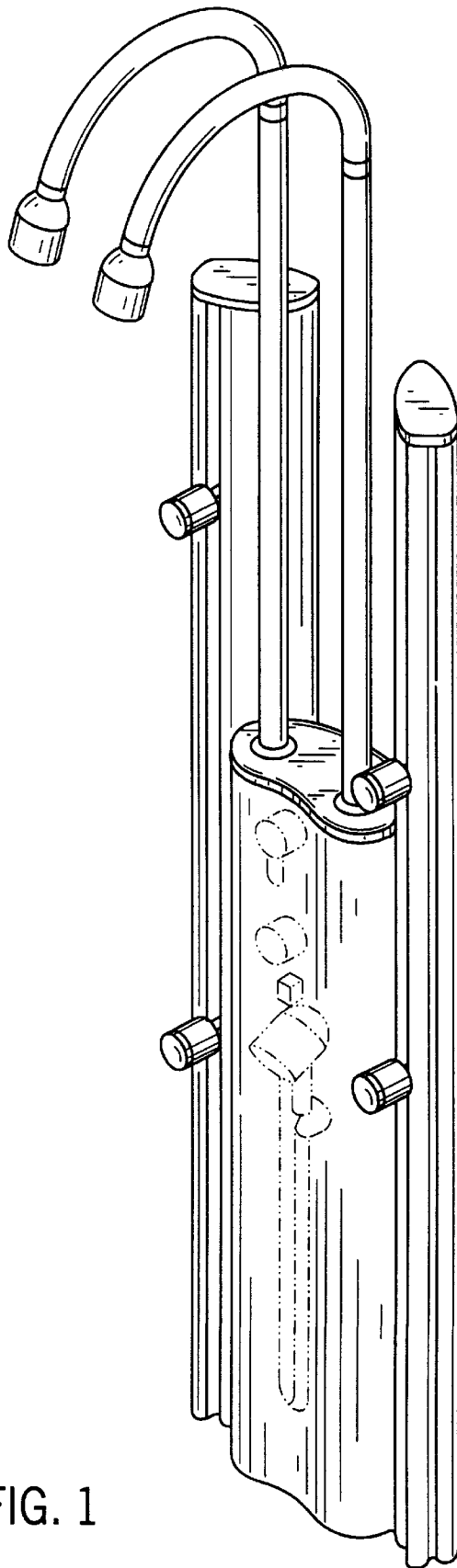


FIG. 1

FIG. 2

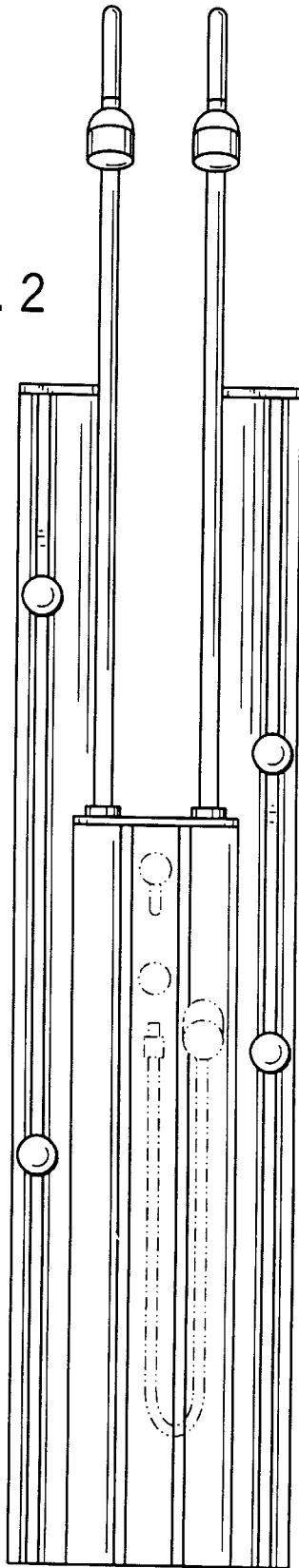
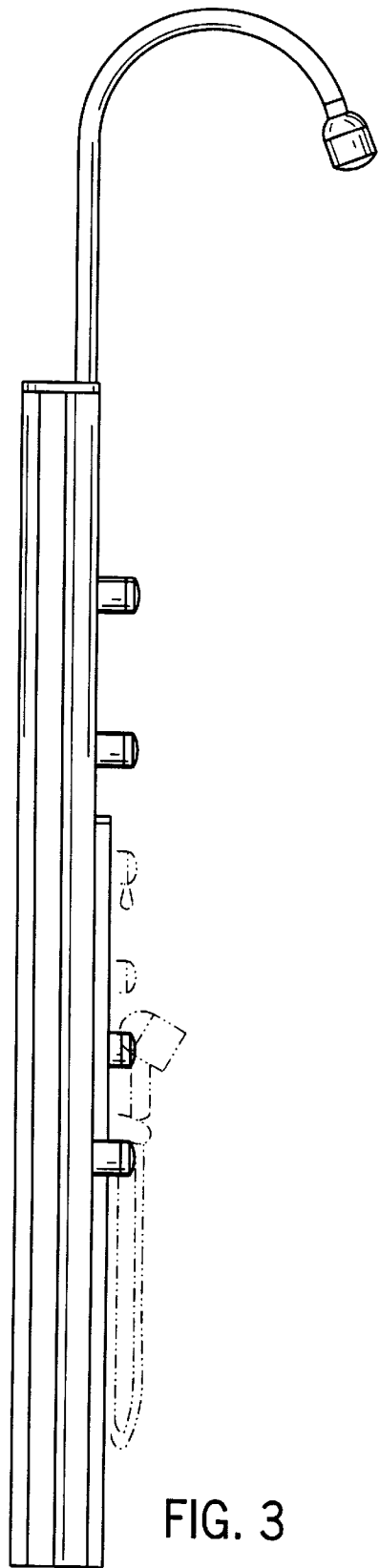


FIG. 3



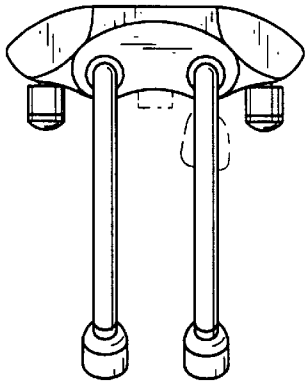


FIG. 4

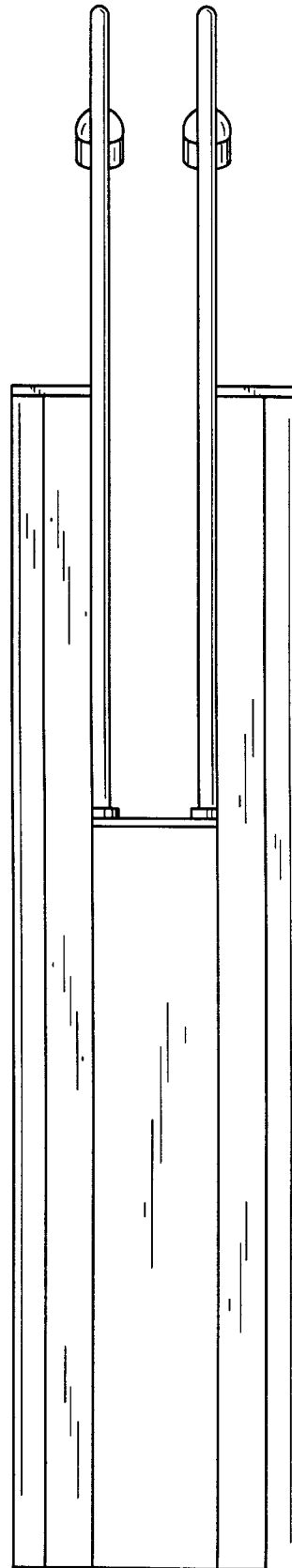


FIG. 5

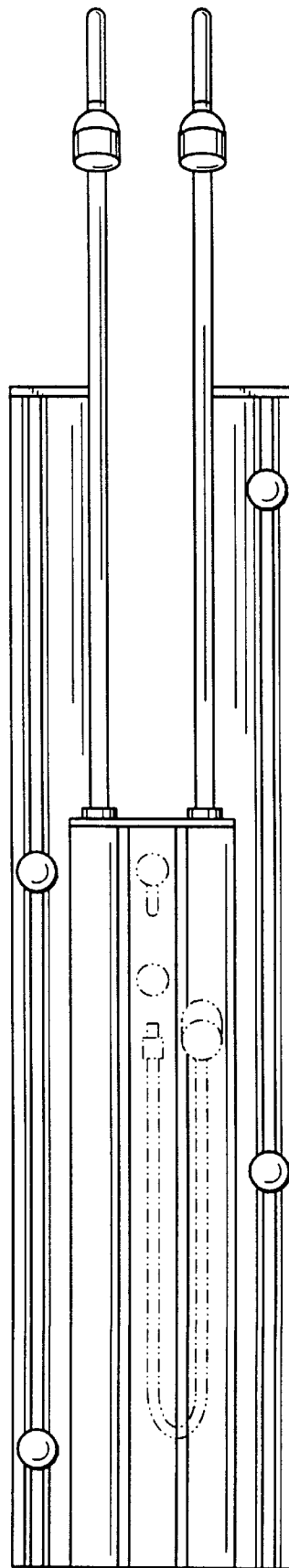


FIG. 6

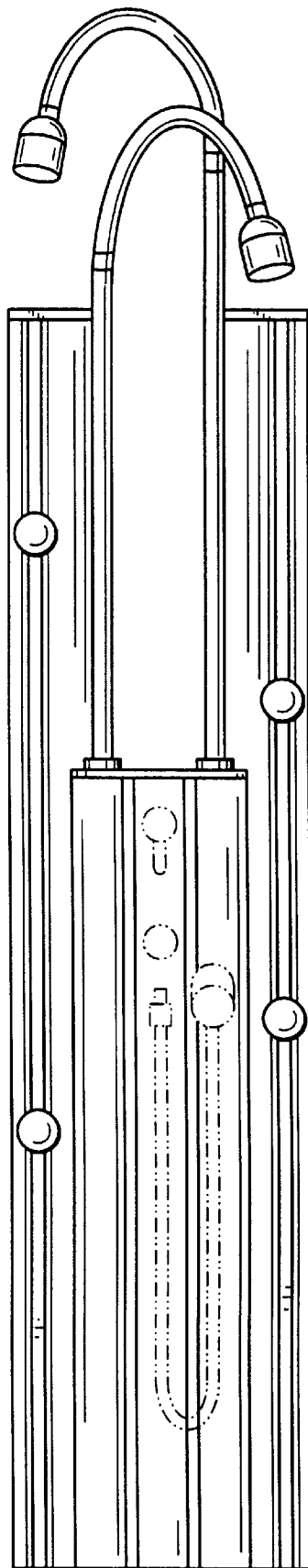


FIG. 7

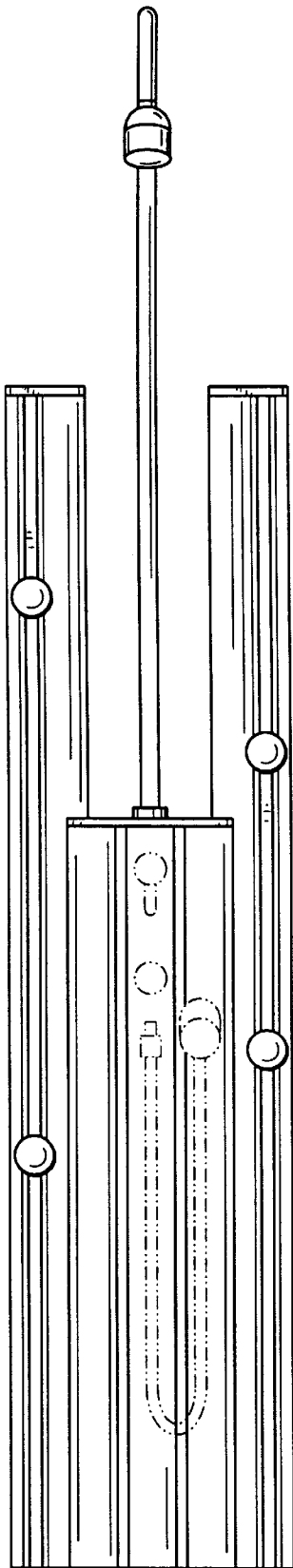


FIG. 8

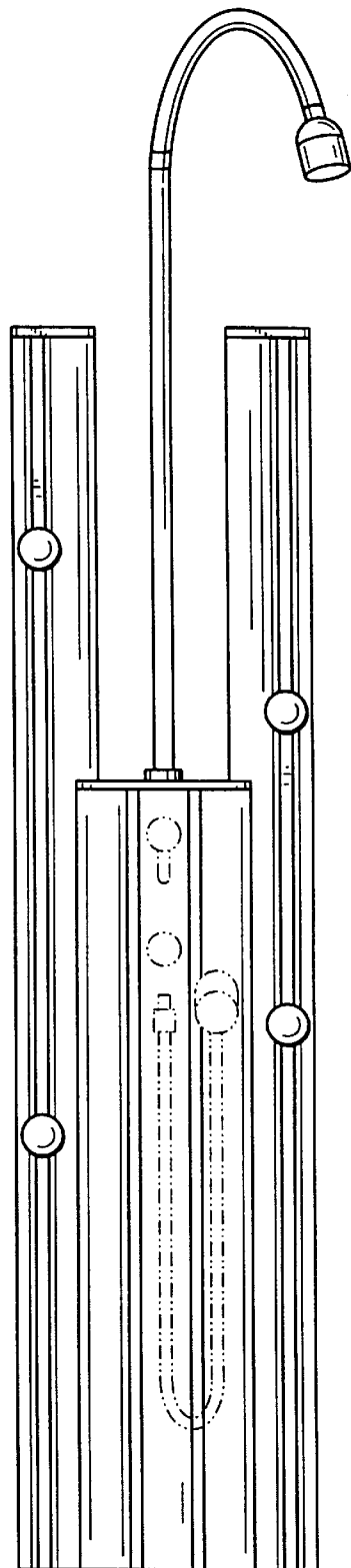


FIG. 9