

[54] FUSE HOLDER

[75] Inventor: Sam A. Myles, Oak Park, Ill.

[73] Assignee: Triplex Manufacturing Co., Chicago, Ill.

[**] Term: 14 Years

[21] Appl. No.: 876,183

[22] Filed: Feb. 8, 1978

[51] Int. Cl. D13-03

[52] U.S. Cl. D13/35

[58] Field of Search D13/3 S; 337/227, 198, 337/199, 186, 187

[56] References Cited

U.S. PATENT DOCUMENTS

- 2,662,953 12/1953 Barker 337/187
- 2,816,193 12/1957 Pine 337/187

3,200,221 8/1965 Traber 337/198

Primary Examiner—Catherine E. Kemper
Attorney, Agent, or Firm—William E. Anderson

[57] CLAIM

The ornamental design for a fuse holder, as shown and described.

DESCRIPTION

FIG. 1 is a perspective view of a fuse holder showing my new design.

FIG. 2 is a top plan view of the fuse holder on an enlarged scale.

FIG. 3 is a front elevational view thereof on an enlarged scale.

FIG. 4 is a side elevational view thereof on an enlarged scale.

FIG. 5 is a bottom view thereof on an enlarged scale. The electrical wires and interior fuse chips are shown in broken lines for illustrative purposes only.

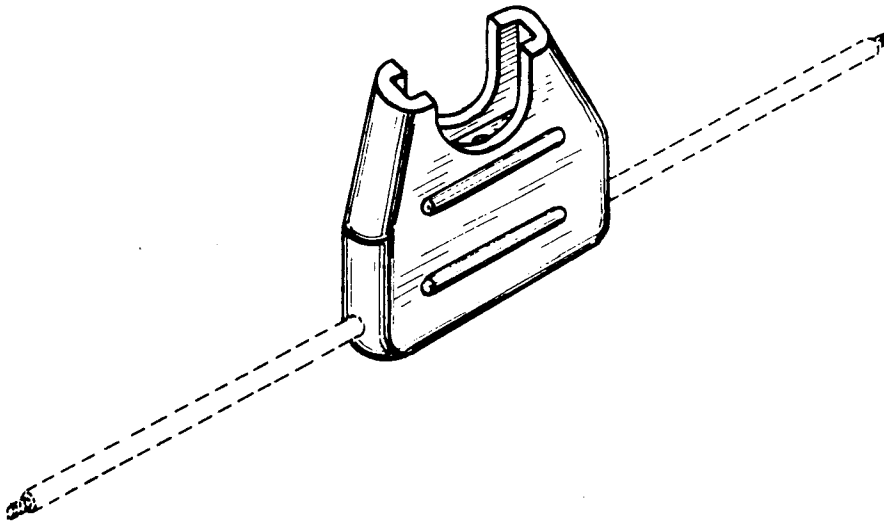


fig. 1.

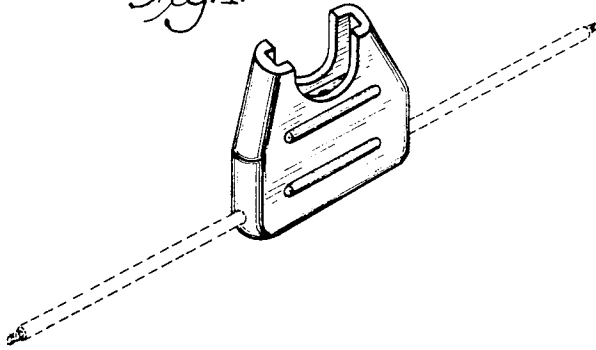


fig. 2.

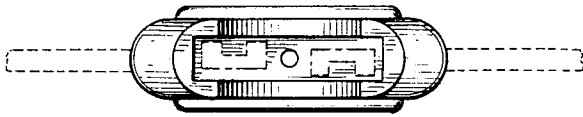


fig. 4.

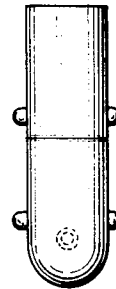


fig. 3.

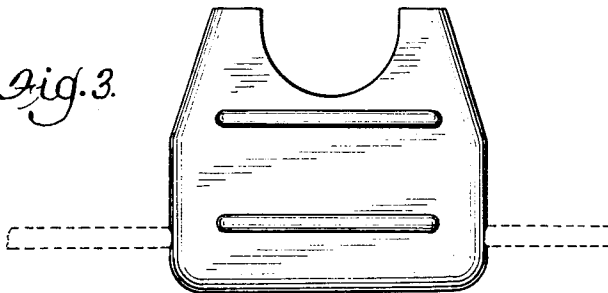


fig. 5.

