

(19) World Intellectual Property Organization
International Bureau



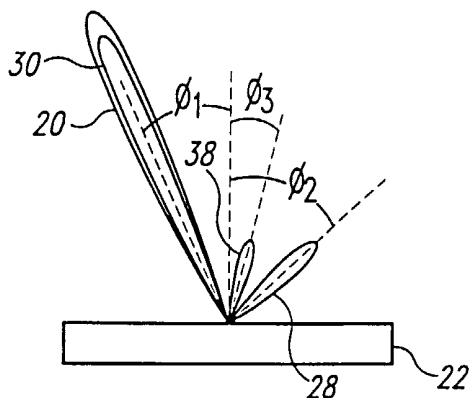
(43) International Publication Date
14 March 2002 (14.03.2002)

PCT

(10) International Publication Number
WO 02/019912 A3

- (51) International Patent Classification⁷: **G01S 7/52**, 15/89 **James, R.**; Prof. Holstlaan 6, NL-5656 AA Eindhoven (NL).
- (21) International Application Number: PCT/EP01/10108
- (22) International Filing Date: 29 August 2001 (29.08.2001)
- (25) Filing Language: English
- (26) Publication Language: English
- (30) Priority Data:
09/657,767 8 September 2000 (08.09.2000) US
- (71) Applicant: **KONINKLIJKE PHILIPS ELECTRONICS N.V.** [NL/NL]; Groenewoudseweg 1, NL-5621 BA Eindhoven (NL).
- (72) Inventors: **ROBINSON, Andrew, L.**; Prof. Holstlaan 6, NL-5656 AA Eindhoven (NL). **ENTREKIN, Robert, R.**; Prof. Holstlaan 6, NL-5656 AA Eindhoven (NL). **JAGO,**
- (74) Agent: **LOTTIN, Claudine**; Internationaal Octrooibureau B.V., Prof. Holstlaan 6, NL-5656 AA Eindhoven (NL).
- (81) Designated State (*national*): JP.
- (84) Designated States (*regional*): European patent (AT, BE, CH, CY, DE, DK, ES, FI, FR, GB, GR, IE, IT, LU, MC, NL, PT, SE, TR).
- Published:
— with international search report
- (88) Date of publication of the international search report:
19 September 2002
- For two-letter codes and other abbreviations, refer to the "Guidance Notes on Codes and Abbreviations" appearing at the beginning of each regular issue of the PCT Gazette.*

(54) Title: ULTRASONIC DIAGNOSTIC IMAGING SYSTEM AND METHOD WITH HARMONIC SPATIAL COMPOUNDING



(57) Abstract: An ultrasonic diagnostic imaging system and method uses harmonic imaging to acquire a plurality of images at a variety of look angles. The number of acquired ultrasonic images that are compounded to form a spatially compounded image is varied in response to changes in system operating parameters initiated directly or indirectly by the system user.

WO 02/019912 A3

INTERNATIONAL SEARCH REPORT

International Application No

PCT/EP 01/10108

A. CLASSIFICATION OF SUBJECT MATTER IPC 7 G01S7/52 G01S15/89		
According to International Patent Classification (IPC) or to both national classification and IPC		
B. FIELDS SEARCHED		
Minimum documentation searched (classification system followed by classification symbols) IPC 7 G01S A61B		
Documentation searched other than minimum documentation to the extent that such documents are included in the fields searched		
Electronic data base consulted during the international search (name of data base and, where practical, search terms used) EPO-Internal, WPI Data, PAJ, INSPEC		
C. DOCUMENTS CONSIDERED TO BE RELEVANT		
Category °	Citation of document, with indication, where appropriate, of the relevant passages	Relevant to claim No.
X	WO 00 34802 A (KONINKL PHILIPS ELECTRONICS NV) 15 June 2000 (2000-06-15)	1,3-5,8, 9,11,12
Y	abstract page 3, line 7 -page 5, line 19 ---	2,6,7,10
Y	US 6 014 897 A (MO LARRY Y L) 18 January 2000 (2000-01-18)	2,6,7
	abstract column 1, line 42 - line 63 column 5, line 54 -column 6, line 8 ---	
Y	US 5 951 478 A (SIMPSON DAVID HOPE ET AL) 14 September 1999 (1999-09-14)	10
	cited in the application	
A	abstract column 5, line 29 - line 45 ---	1,12
	--- -/--	
<input checked="" type="checkbox"/> Further documents are listed in the continuation of box C. <input checked="" type="checkbox"/> Patent family members are listed in annex.		
° Special categories of cited documents :		
A document defining the general state of the art which is not considered to be of particular relevance *E* earlier document but published on or after the international filing date *L* document which may throw doubts on priority claim(s) or which is cited to establish the publication date of another citation or other special reason (as specified) *O* document referring to an oral disclosure, use, exhibition or other means *P* document published prior to the international filing date but later than the priority date claimed		*T* later document published after the international filing date or priority date and not in conflict with the application but cited to understand the principle or theory underlying the invention *X* document of particular relevance; the claimed invention cannot be considered novel or cannot be considered to involve an inventive step when the document is taken alone *Y* document of particular relevance; the claimed invention cannot be considered to involve an inventive step when the document is combined with one or more other such documents, such combination being obvious to a person skilled in the art. *&* document member of the same patent family
Date of the actual completion of the international search 12 June 2002		Date of mailing of the international search report 24/06/2002
Name and mailing address of the ISA European Patent Office, P.B. 5818 Patentlaan 2 NL - 2280 HV Rijswijk Tel. (+31-70) 340-2040, Tx. 31 651 epo nl, Fax: (+31-70) 340-3016		Authorized officer Roost, J

INTERNATIONAL SEARCH REPORT

International Application No
PCT/EP 01/10108

C.(Continuation) DOCUMENTS CONSIDERED TO BE RELEVANT		
Category °	Citation of document, with indication, where appropriate, of the relevant passages	Relevant to claim No.
A	WO 00 30541 A (ACUSON) 2 June 2000 (2000-06-02) abstract page 9, line 12 - line 20 ---	2
A	US 6 102 865 A (HOSSACK JOHN A ET AL) 15 August 2000 (2000-08-15) abstract column 24, line 59 - line 62 column 29, line 25 - line 43 column 33, line 35 -column 35, line 25 ---	1,2,12
A	US 4 649 927 A (FEHR RAINER ET AL) 17 March 1987 (1987-03-17) cited in the application abstract ---	1,12
A	US 4 319 489 A (YAMAGUCHI KEIKI ET AL) 16 March 1982 (1982-03-16) cited in the application abstract ---	1,12
A	US 4 159 462 A (ROCHA HENRY A F ET AL) 26 June 1979 (1979-06-26) cited in the application abstract ---	1,12
A	O'DONNELL M ET AL: "OPTIMUM DISPLACEMENT FOR COMPOUND IMAGE GENERATION IN MEDICAL ULTRASOUND" IEEE TRANSACTIONS ON ULTRASONICS, FERROELECTRICS AND FREQUENCY CONTROL, IEEE INC. NEW.YORK, US, vol. 35, no. 4, July 1988 (1988-07), pages 470-476, XP000857184 ISSN: 0885-3010 cited in the application abstract ---	1,12
A	US 5 706 819 A (SIMPSON DAVID HOPE ET AL) 13 January 1998 (1998-01-13) cited in the application abstract ---	1,12
A	US 5 485 842 A (QUISTGAARD JENS U) 23 January 1996 (1996-01-23) cited in the application abstract ---	1,12
A	US 5 860 924 A (QUISTGAARD JENS ULRICH) 19 January 1999 (1999-01-19) cited in the application abstract -----	1,12

INTERNATIONAL SEARCH REPORT

Information on patent family members

International Application No

PCT/EP 01/10108

Patent document cited in search report		Publication date	Patent family member(s)	Publication date			
WO 0034802	A	15-06-2000	US 6390980 B1	21-05-2002			
			WO 0034802 A1	15-06-2000			
			EP 1053485 A1	22-11-2000			
			NO 20003955 A	09-10-2000			
US 6014897	A	18-01-2000	EP 1046056 A1	25-10-2000			
			WO 0013038 A1	09-03-2000			
US 5951478	A	14-09-1999	US 5706819 A	13-01-1998			
			EP 0770352 A1	02-05-1997			
			JP 9164138 A	24-06-1997			
			US 2002040189 A1	04-04-2002			
			US 2002055681 A1	09-05-2002			
			US 6315729 B1	13-11-2001			
WO 0030541	A	02-06-2000	AU 1239300 A	13-06-2000			
			DE 19983779 T0	18-10-2001			
			WO 0030541 A1	02-06-2000			
US 6102865	A	15-08-2000	US 6014473 A	11-01-2000			
			US 6201900 B1	13-03-2001			
			US 6132376 A	17-10-2000			
			US 6222948 B1	24-04-2001			
			US 6360027 B1	19-03-2002			
			AU 1983397 A	16-09-1997			
			EP 0883860 A1	16-12-1998			
			JP 2001521404 T	06-11-2001			
			WO 9732277 A1	04-09-1997			
			US 4649927	A	17-03-1987	AU 562235 B2	04-06-1987
AU 4756485 A	10-04-1986						
CA 1242267 A1	20-09-1988						
DE 3577751 D1	21-06-1990						
DK 423185 A	26-03-1986						
EP 0176038 A1	02-04-1986						
ES 547230 D0	16-11-1987						
ES 8800590 A1	01-02-1988						
JP 61168341 A	30-07-1986						
NO 853758 A	26-03-1986						
US 4319489	A	16-03-1982				NONE	
US 4159462	A	26-06-1979				NONE	
US 5706819	A	13-01-1998	US 5951478 A	14-09-1999			
			EP 0770352 A1	02-05-1997			
			JP 9164138 A	24-06-1997			
			US 2002040189 A1	04-04-2002			
			US 2002055681 A1	09-05-2002			
			US 6315729 B1	13-11-2001			
US 5485842	A	23-01-1996	AT 192855 T	15-05-2000			
			DE 69516816 D1	15-06-2000			
			DE 69516816 T2	28-12-2000			
			EP 0715183 A1	05-06-1996			
			JP 2934402 B2	16-08-1999			
			JP 8336533 A	24-12-1996			

INTERNATIONAL SEARCH REPORT
Information on patent family members

International Application No
PCT/EP 01/10108

Patent document cited in search report		Publication date		Patent family member(s)	Publication date
US 5860924	A	19-01-1999	EP	0844496 A2	27-05-1998
			JP	10155796 A	16-06-1998
