



US00D468795S

(12) **United States Design Patent**
Kondo et al.

(10) **Patent No.:** **US D468,795 S**

(45) **Date of Patent:** **** Jan. 14, 2003**

(54) **FISHING REEL BODY**

FOREIGN PATENT DOCUMENTS

(75) Inventors: **Takashi Kondo**, Musashino (JP); **Akio Sekimoto**, Higashikurume (JP); **Masayoshi Ishikawa**, Higashikurume (JP)

JP	590435	9/1982
JP	1004930	3/1998
JP	1053671	7/2000

* cited by examiner

Primary Examiner—Catherine R. Oliver

(74) *Attorney, Agent, or Firm*—Sughrue Mion, PLLC

(73) Assignee: **Daiwa Seiko Inc.**, Tokyo (JP)

(**) Term: **14 Years**

(57) **CLAIM**

(21) Appl. No.: **29/154,673**

The ornamental design for a fishing reel body, as shown and described.

(22) Filed: **Jan. 29, 2002**

DESCRIPTION

(30) **Foreign Application Priority Data**

Jul. 30, 2001 (JP) 2001-022090

(51) **LOC (7) Cl.** **22-05**

(52) **U.S. Cl.** **D22/140**

(58) **Field of Search** D22/140, 141, D22/139, 138, 137; 242/370, 322, 311, 235–240, 223, 224, 234; 43/20, 21, 21.2, 22

FIG. 1 is a perspective view of the top, front, and one side of a fishing reel body showing our new design;

FIG. 2 is a perspective view of the top, rear, and opposite side thereof;

FIG. 3 is a perspective view of the top, front, and opposite side thereof;

FIG. 4 is an end elevational view of said one side thereof;

FIG. 5 is a side elevational view of the opposite side thereof;

FIG. 6 is a top plan view thereof;

FIG. 7 is a bottom plan view thereof;

FIG. 8 is a front elevational view thereof;

FIG. 9 is a rear elevational view thereof; and,

FIG. 10 is a view similar to FIG. 2 with some of the broken line structure removed.

The elements shown in phantom lines in FIGS. 1–9 inclusive do not form any part of the claimed design.

(56) **References Cited**

U.S. PATENT DOCUMENTS

D348,919 S	7/1994	Sato et al.	D22/140
D352,989 S	11/1994	Park	D22/140
D367,515 S	* 2/1996	Robbins et al.	D22/140
D451,577 S	* 12/2001	Duarte	D22/140
D452,292 S	* 12/2001	Kim et al.	D22/140

1 Claim, 7 Drawing Sheets

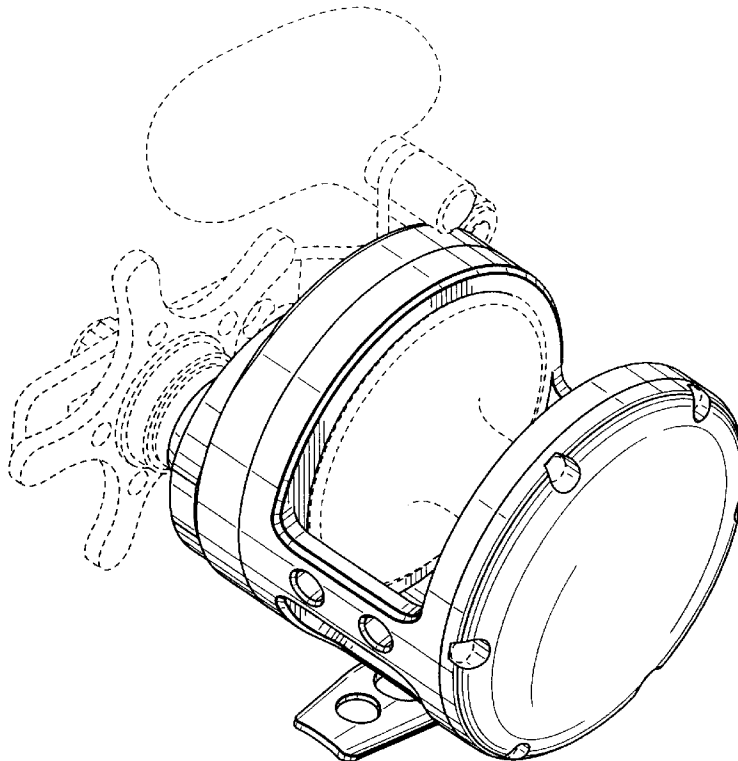


FIG. 1

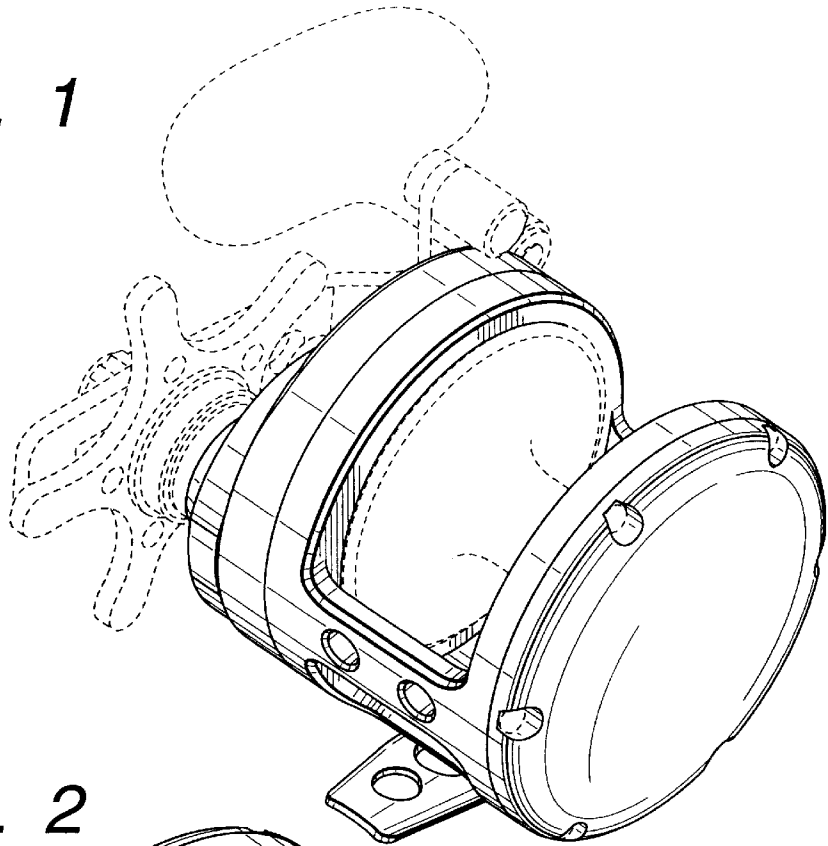


FIG. 2

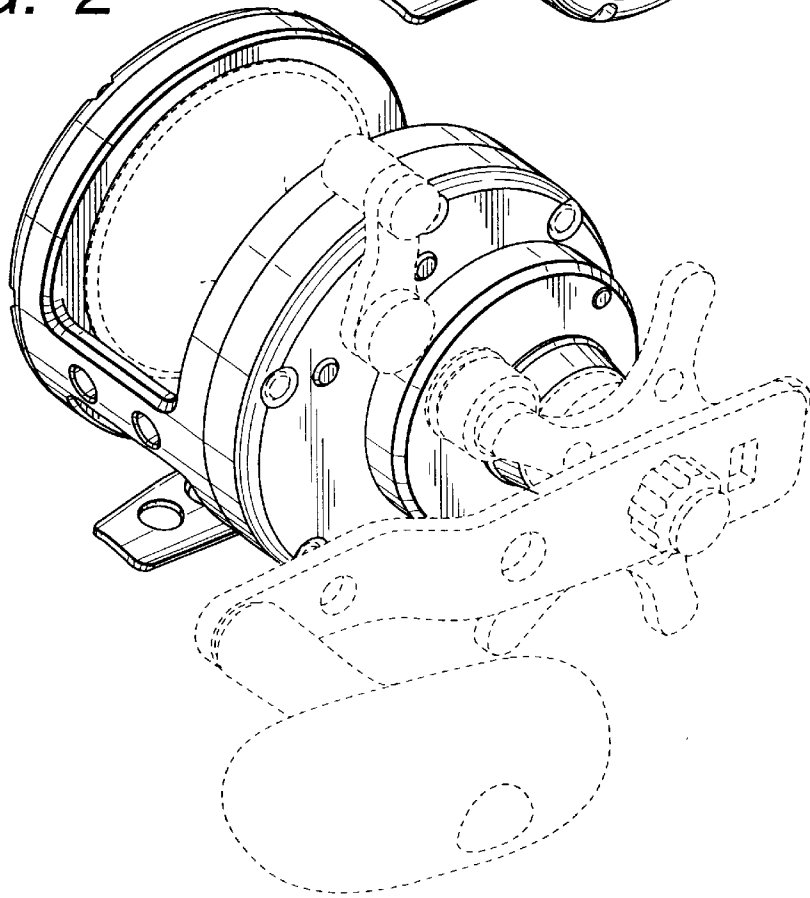


FIG. 3

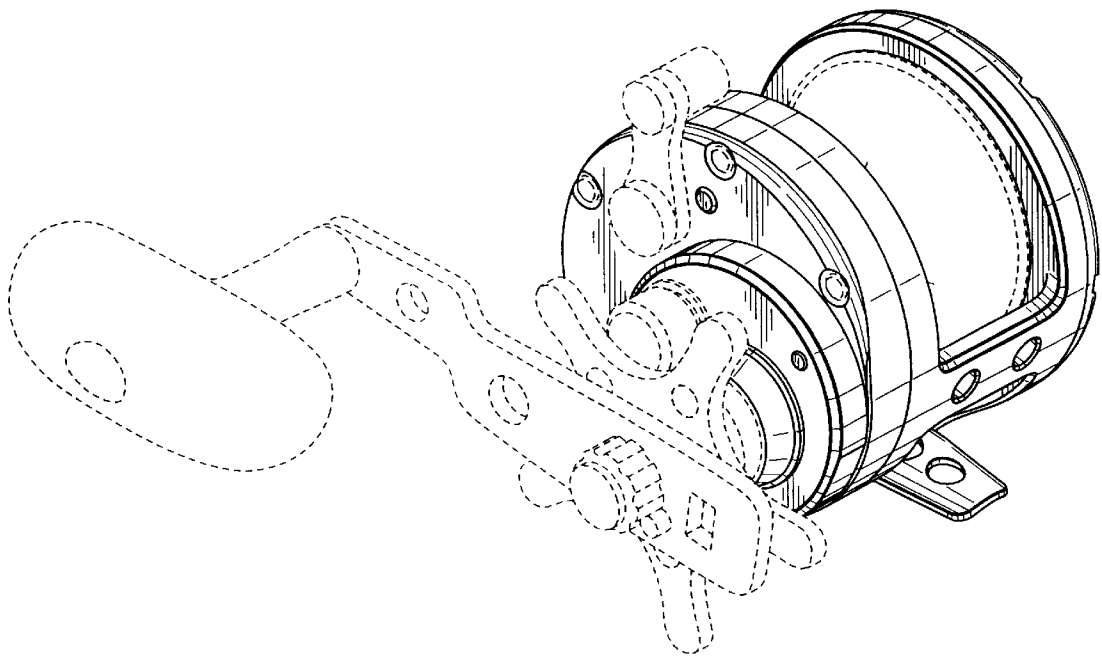


FIG. 4

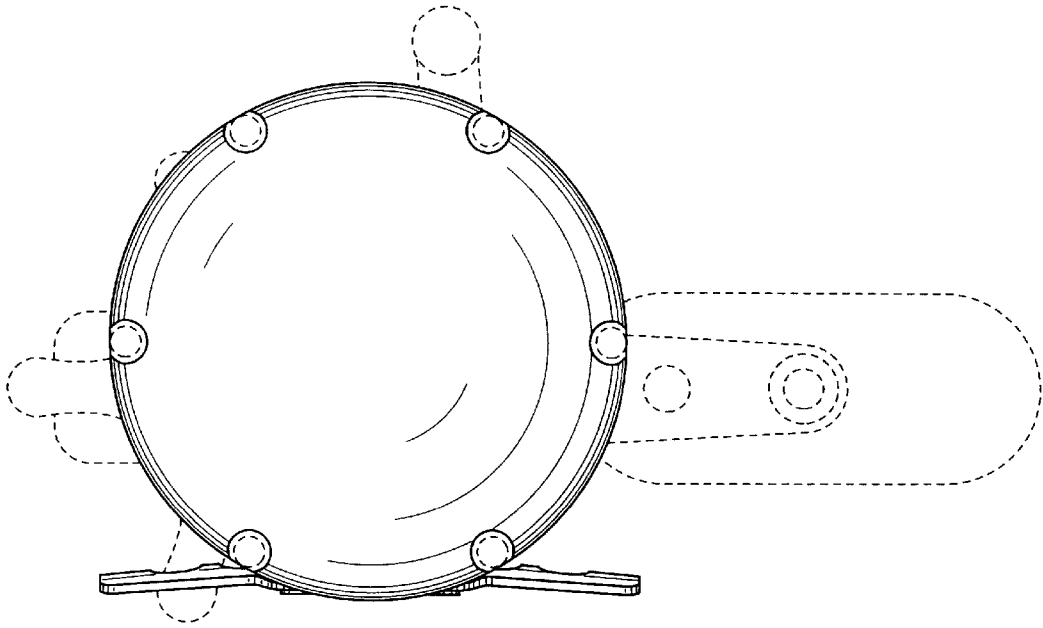


FIG. 5

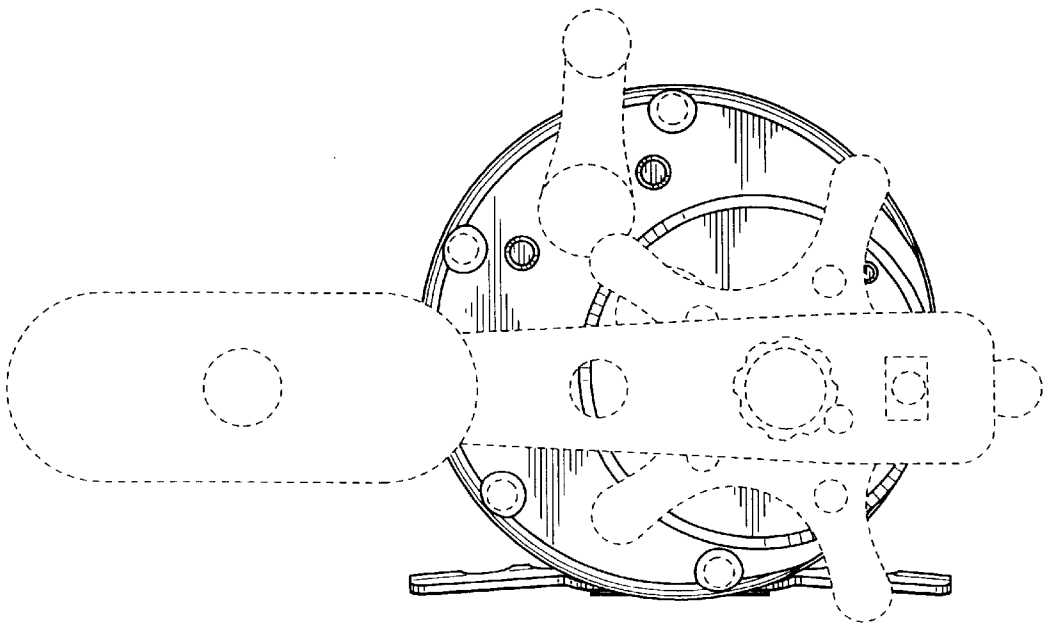


FIG. 6

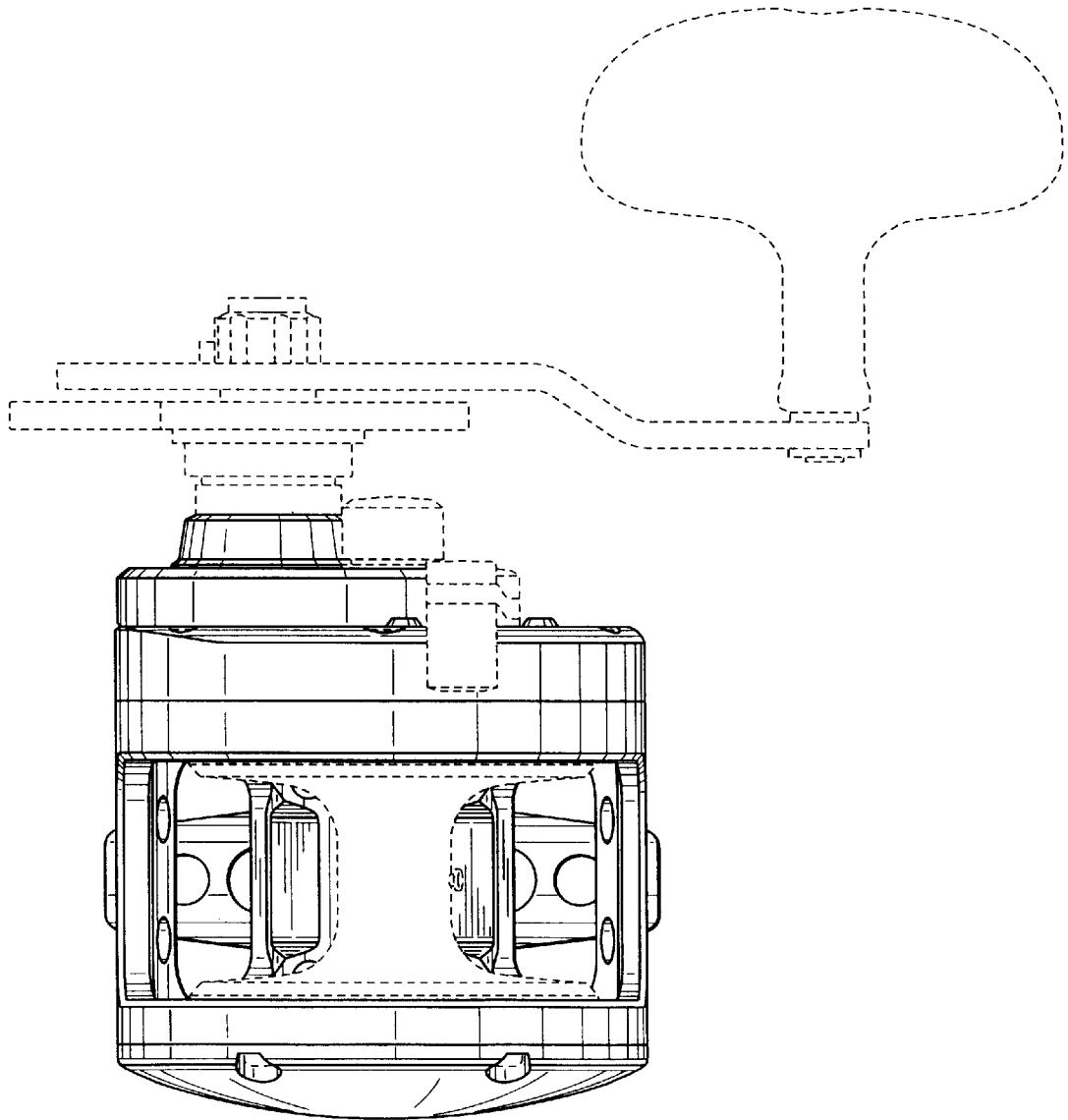


FIG. 7

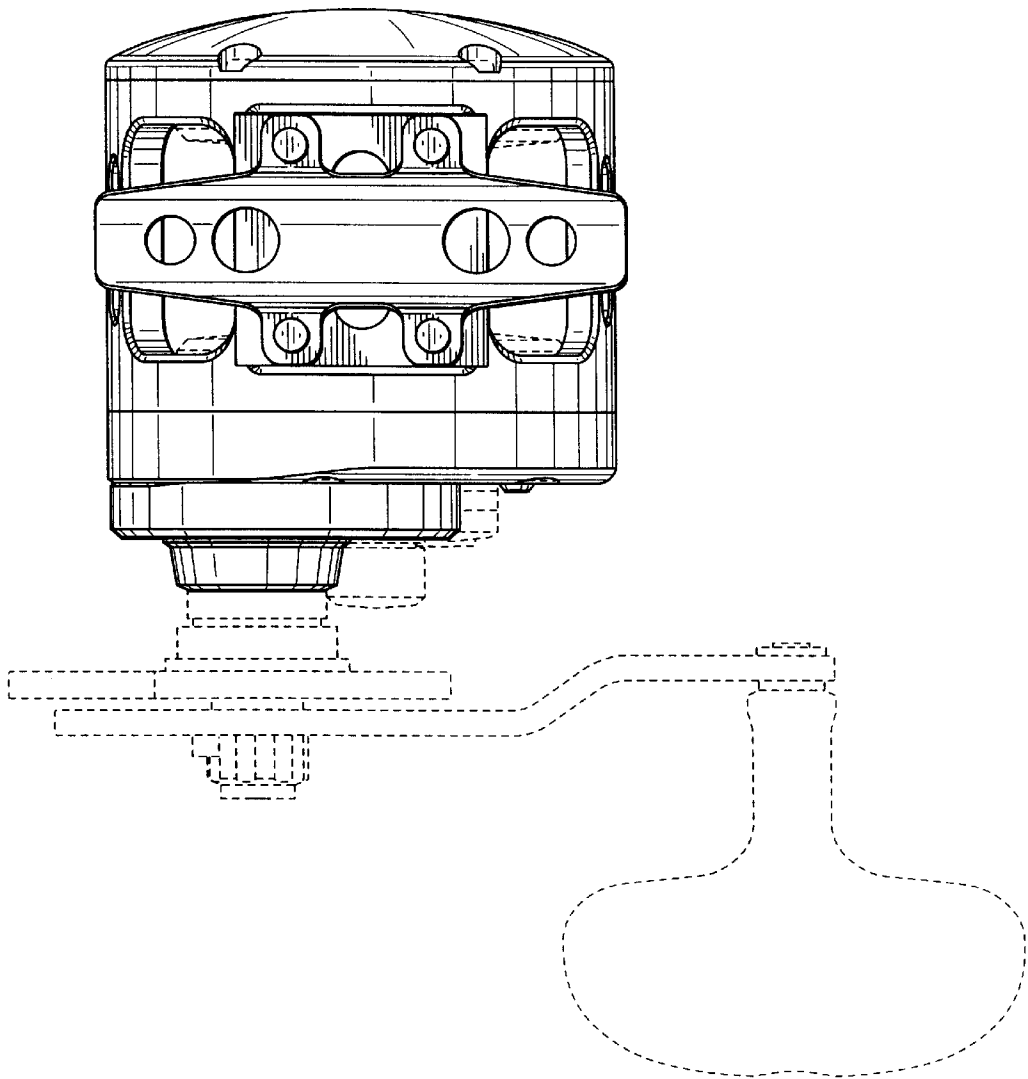


FIG. 8

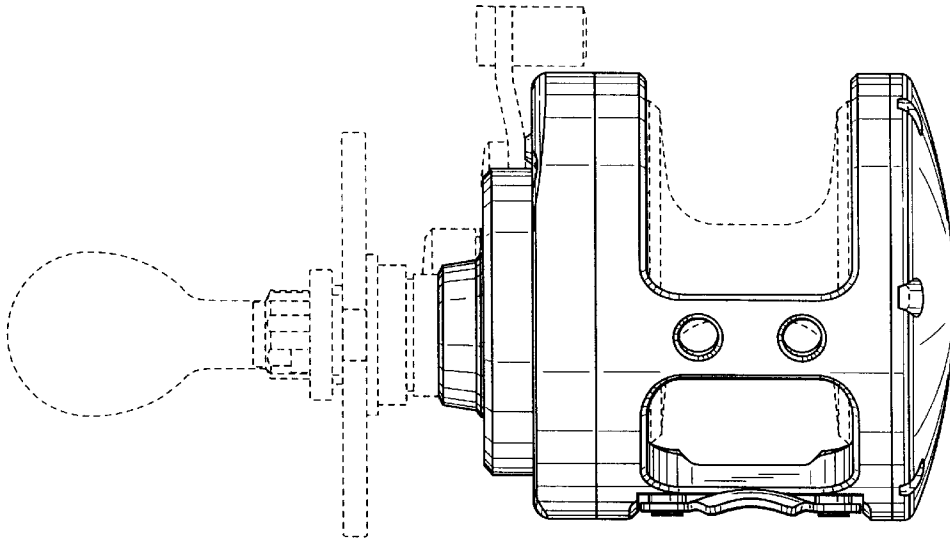


FIG. 9

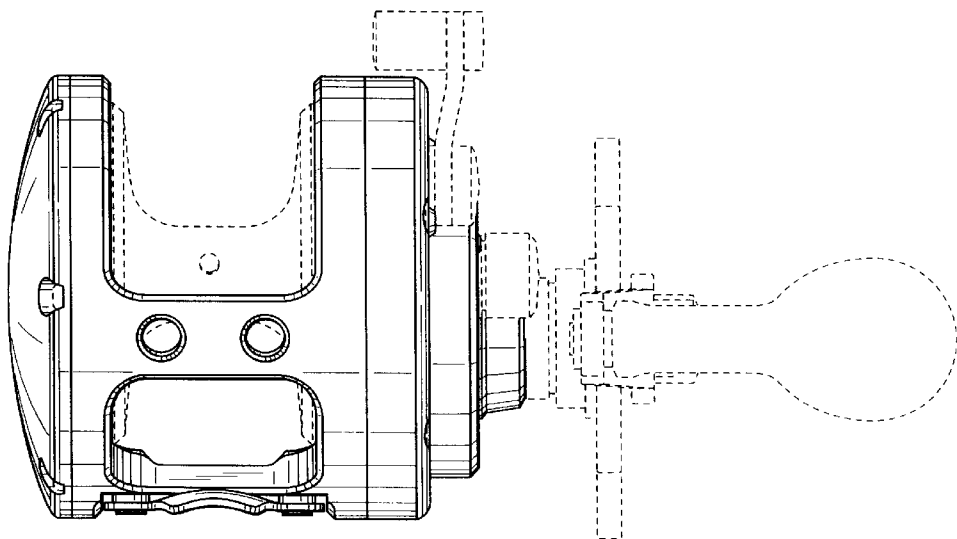


FIG. 10

