



US00D594397S

(12) **United States Design Patent**  
**Laengerer**

(10) **Patent No.:** **US D594,397 S**  
(45) **Date of Patent:** **\*\* Jun. 16, 2009**

(54) **FRONT FACE OF A VEHICLE WHEEL**

(75) Inventor: **Marcus Laengerer**, Renningen (DE)

(73) Assignee: **Daimler AG**, Stuttgart (DE)

(\*\*) Term: **14 Years**

(21) Appl. No.: **29/290,272**

(22) Filed: **Nov. 13, 2007**

(30) **Foreign Application Priority Data**

May 14, 2007 (EM) ..... 000722376-0003

(51) **LOC (9) Cl.** ..... **12-16**

(52) **U.S. Cl.** ..... **D12/211**

(58) **Field of Classification Search** ..... D12/204-213;  
301/37.101, 64.101, 65

See application file for complete search history.

(56) **References Cited**

**U.S. PATENT DOCUMENTS**

D438,503 S \* 3/2001 Syring ..... D12/211  
D450,030 S \* 11/2001 Pfeiffer ..... D12/211  
D506,717 S \* 6/2005 Gallert ..... D12/209  
D516,980 S \* 3/2006 Scheu ..... D12/209

D521,438 S \* 5/2006 Nordmann ..... D12/211  
D527,327 S \* 8/2006 Laengerer ..... D12/211  
D528,061 S \* 9/2006 Saridakis et al. .... D12/211  
D581,853 S \* 12/2008 Rak ..... D12/211  
D587,177 S \* 2/2009 Scheu ..... D12/209

\* cited by examiner

*Primary Examiner*—Elizabeth A Albert

*Assistant Examiner*—Kelley A Donnelly

(74) *Attorney, Agent, or Firm*—Crowell & Moring LLP

(57) **CLAIM**

The ornamental design for a front face of a vehicle wheel, as shown and described.

**DESCRIPTION**

FIG. 1 is a front view of a first embodiment of a front face of a vehicle wheel according to our design; and

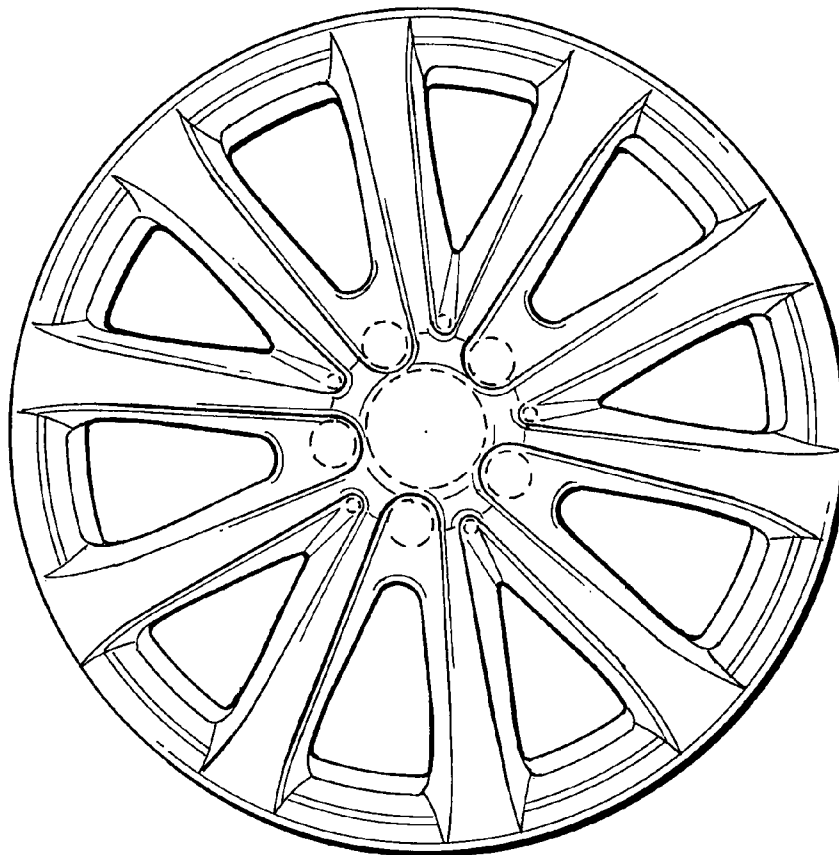
FIG. 2 is a perspective view thereof.

FIG. 3 is a front view of a second embodiment of a front face of a vehicle wheel according to our design; and,

FIG. 4 is a perspective view thereof.

The broken lines in FIGS. 1 through 4 are for environmental purposes only and form no part of the claimed design.

**1 Claim, 2 Drawing Sheets**



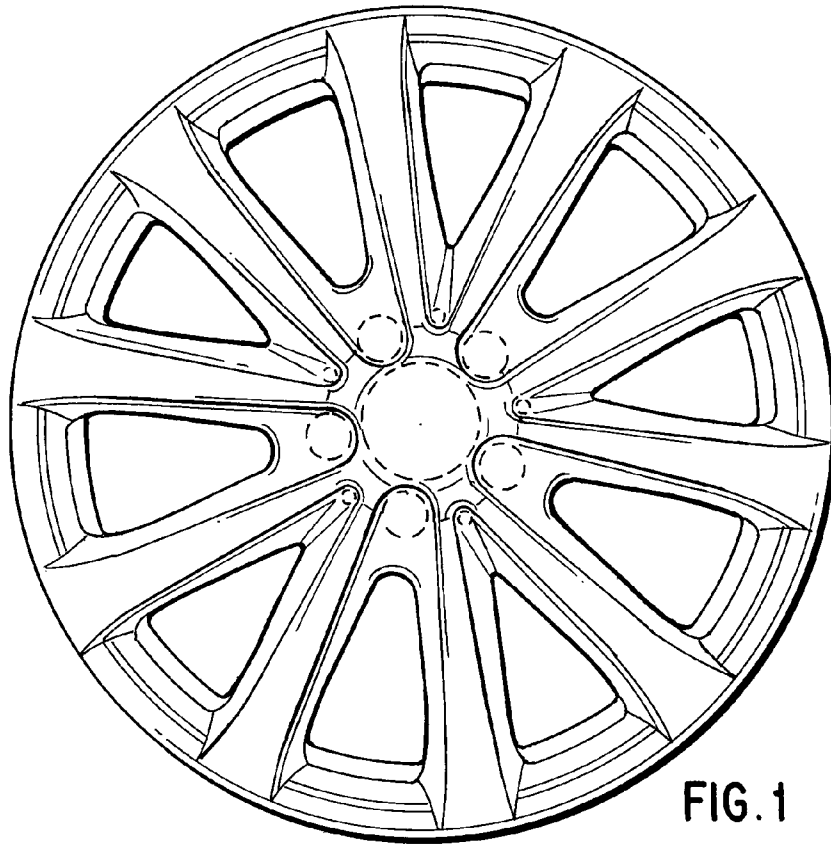


FIG. 1

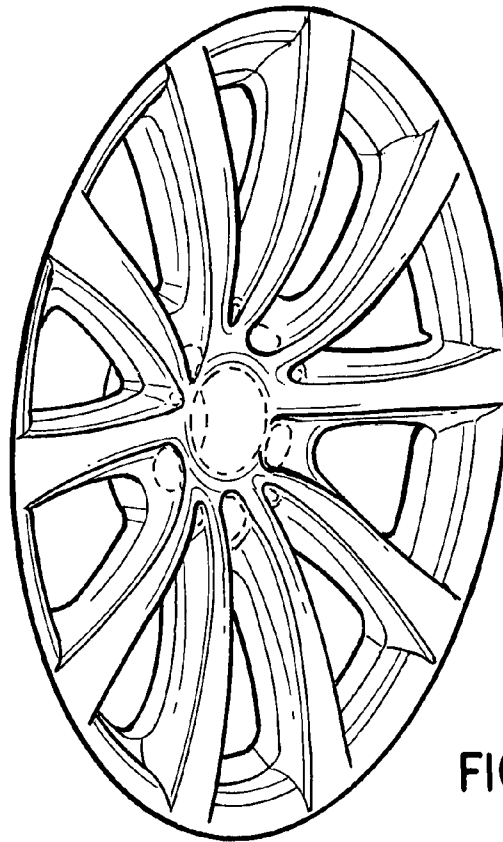


FIG. 2

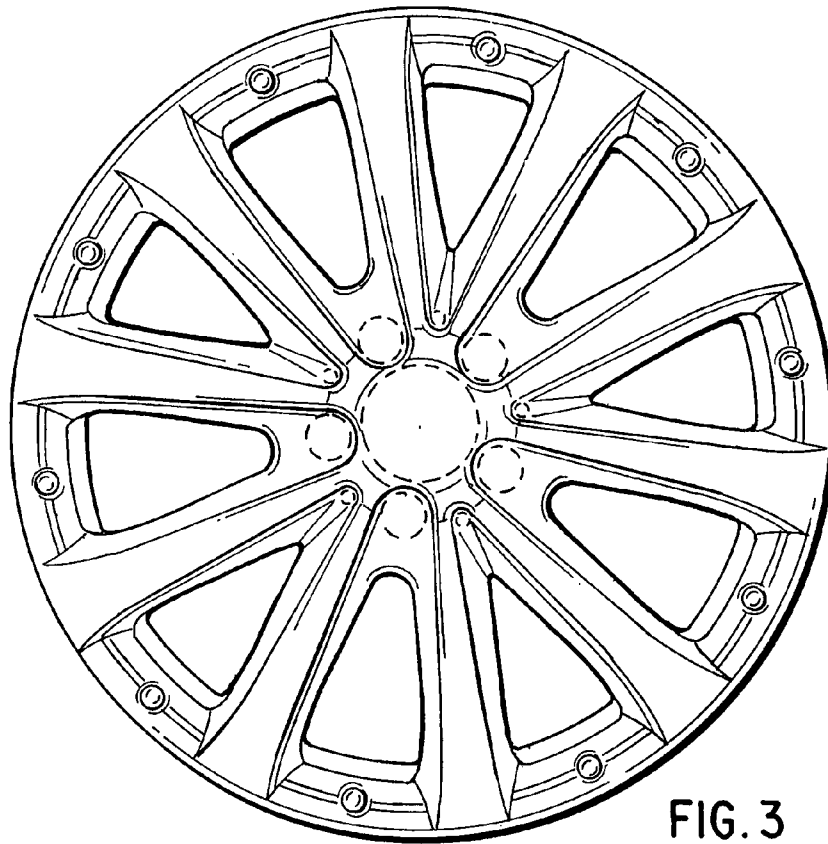


FIG. 3

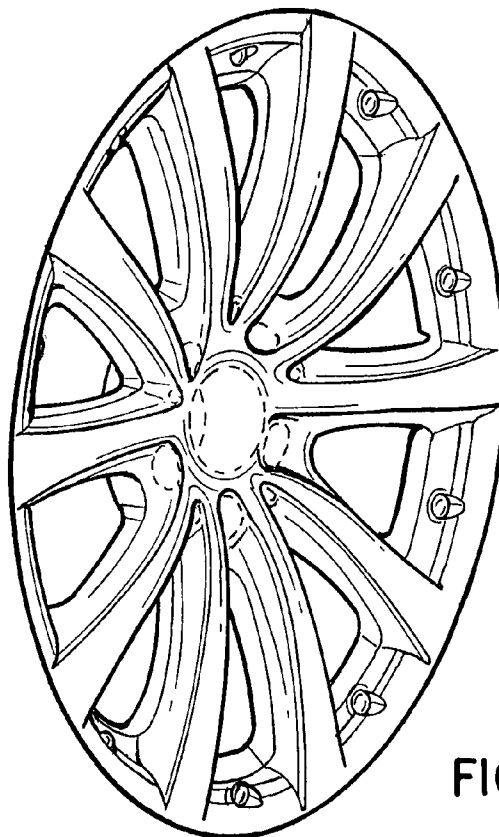


FIG. 4