



(12) **United States Design Patent**
Zhou

(10) **Patent No.:** **US D1,027,017 S**
(45) **Date of Patent:** **** May 14, 2024**

- (54) **ELECTRONIC PIANO**
- (71) Applicant: **Jinjiang Beisite Electronic Technology Co., Ltd., Jinjiang (CN)**
- (72) Inventor: **Yong Zhou, Emeishan (CN)**
- (73) Assignee: **Jinjiang Beisite Electronic Technology Co., Ltd., Jinjiang (CN)**
- (**) Term: **15 Years**
- (21) Appl. No.: **29/907,852**
- (22) Filed: **Jan. 9, 2024**
- (51) **LOC (14) Cl.** **17-01**
- (52) **U.S. Cl.**
USPC **D17/7**
- (58) **Field of Classification Search**
USPC D17/1, 7, 99; D21/405, 409
CPC G10C 1/00; G10C 1/02; G10C 3/12
See application file for complete search history.

1RV34M69942M7&dib=eyJ2ljoMSJ9.HjdewIX_Dg_k4hHLQymwuaAFEG9ySnDI1qHBa87yils436IzbQzocr8p3psjC0xB2veBP4Ex6zx0e6E48z0nvjquwaPowe5U08IMw5iFBMY.Iz9R2Pywy4wPWZ-Nqihd_H2H3zhKjkTyW_T3kODXFFo&dib_tag=se&keywords=electronic%2Bpiano&qid=1710376955&s=musical-instruments&sprefix=electronic%2Bpiano%2Cmi%2C88&sr=1-174&th=1. "Sheirin digital piano 88 keys weighted keyboard . . ." Aug. 2023 (Year: 2023).*

* cited by examiner

Primary Examiner — R. Johnson
(74) *Attorney, Agent, or Firm* — George D. Morgan

(56) **References Cited**

U.S. PATENT DOCUMENTS

| | | | | |
|----------------|---------|-------------------|-------|-------------------------|
| D183,761 S * | 10/1958 | Millington et al. | | D17/7 |
| 4,988,150 A * | 1/1991 | Lindow | | A47B 91/00 312/351.3 |
| D320,404 S * | 10/1991 | Yamawaki | | D17/7 |
| D322,086 S * | 12/1991 | Yamawaki | | D17/7 |
| D341,371 S * | 11/1993 | Wong | | D17/5 |
| D345,372 S * | 3/1994 | Ida | | D17/7 |
| D369,378 S * | 4/1996 | Okamura | | D17/7 |
| D372,728 S * | 8/1996 | Mizushima | | D17/7 |
| D401,962 S * | 12/1998 | Detrich | | D17/7 |
| D499,443 S * | 12/2004 | Ohno | | D17/7 |
| D555,190 S * | 11/2007 | Saito | | D17/7 |
| D610,190 S * | 2/2010 | Nimura | | D17/7 |
| D946,647 S * | 3/2022 | Ueki | | |
| D1,005,381 S * | 11/2023 | Wu | | D17/7 |

FOREIGN PATENT DOCUMENTS

WO WO-2022202820 A1 * 9/2022 G10H 1/0008

OTHER PUBLICATIONS

Amazon. https://www.amazon.com/SHEIRIN-weighted-keyboard-beginners-SR-PH80/dp/B0CNGQCK8F/ref=sr_l_174?crd=

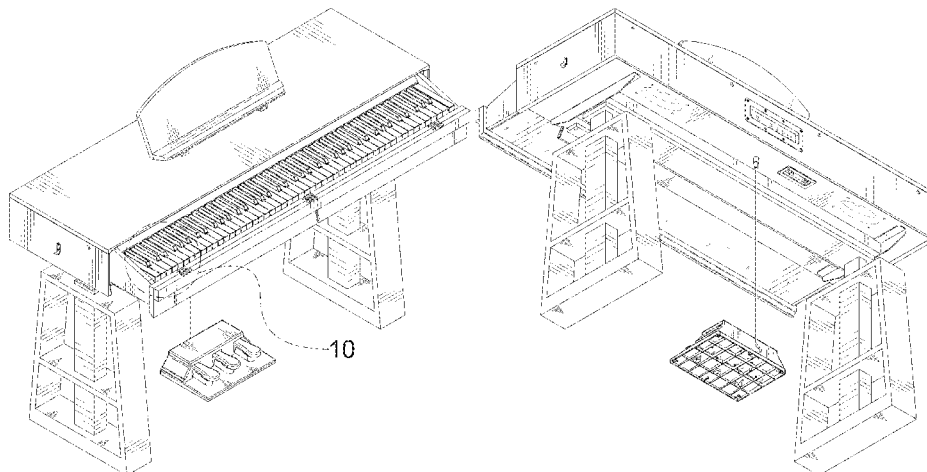
(57) **CLAIM**

The ornamental design for an electronic piano, as shown and described.

DESCRIPTION

FIG. 1 is a front perspective view of an electronic piano, showing my new design; the electronic piano shown in an opened condition;
 FIG. 2 is a rear perspective view thereof;
 FIG. 3 is a front perspective view thereof; the electronic piano shown in a closed condition;
 FIG. 4 is a front view of FIG. 1;
 FIG. 5 is a rear view thereof;
 FIG. 6 is a left side view thereof;
 FIG. 7 is a right side view thereof;
 FIG. 8 is a top view thereof;
 FIG. 9 is a bottom view thereof; and,
 FIG. 10 is an enlarged, partial view of the portion taken at line-10 in FIG. 1.
 The broken lines in the drawings illustrate the portions of the electronic piano, which form no part of the claimed design. The dash-dot-dash broken lines encircling the enlarged views are for annotative purposes only and form no part of the claim thereof.

1 Claim, 10 Drawing Sheets



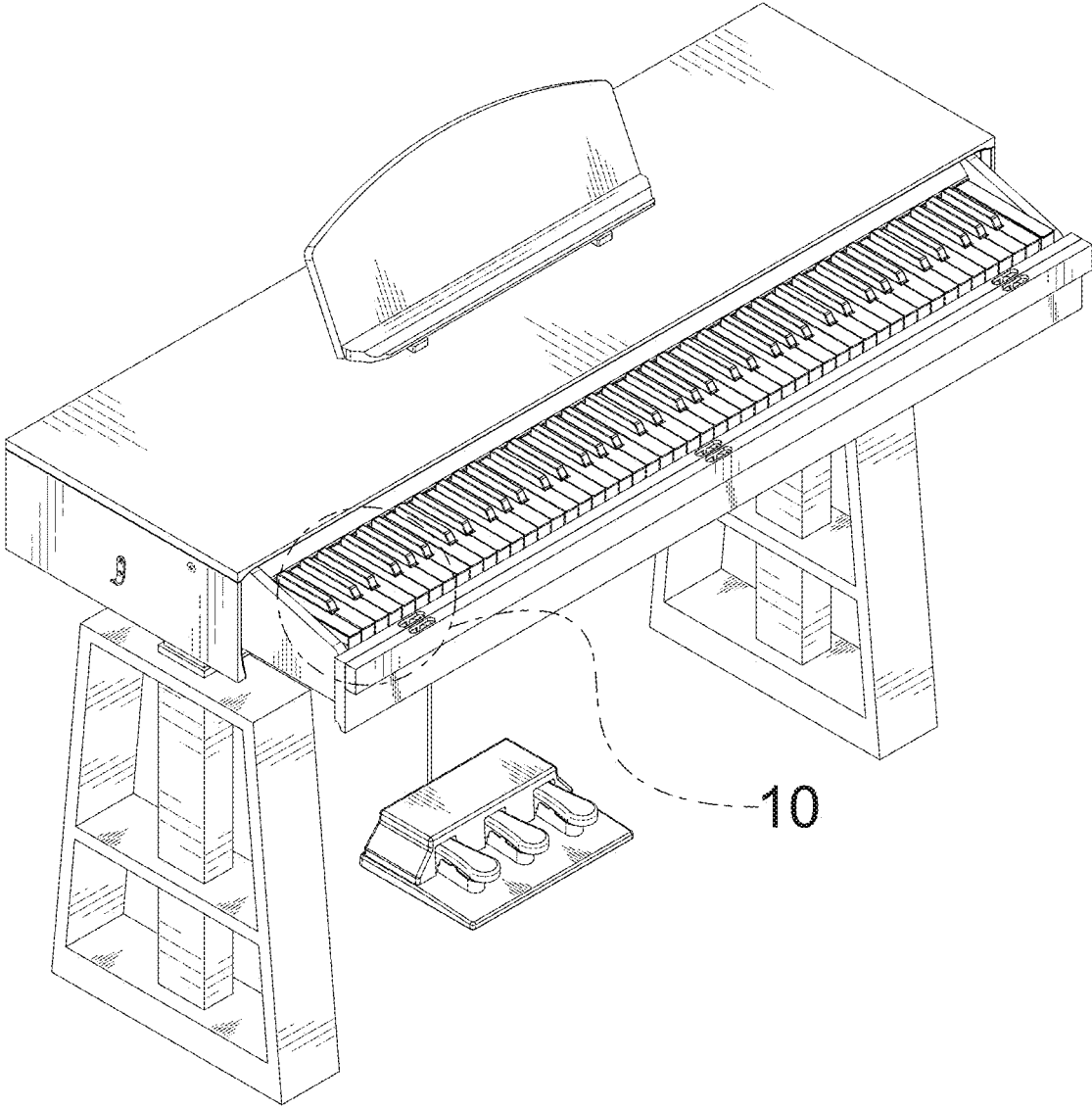


FIG. 1

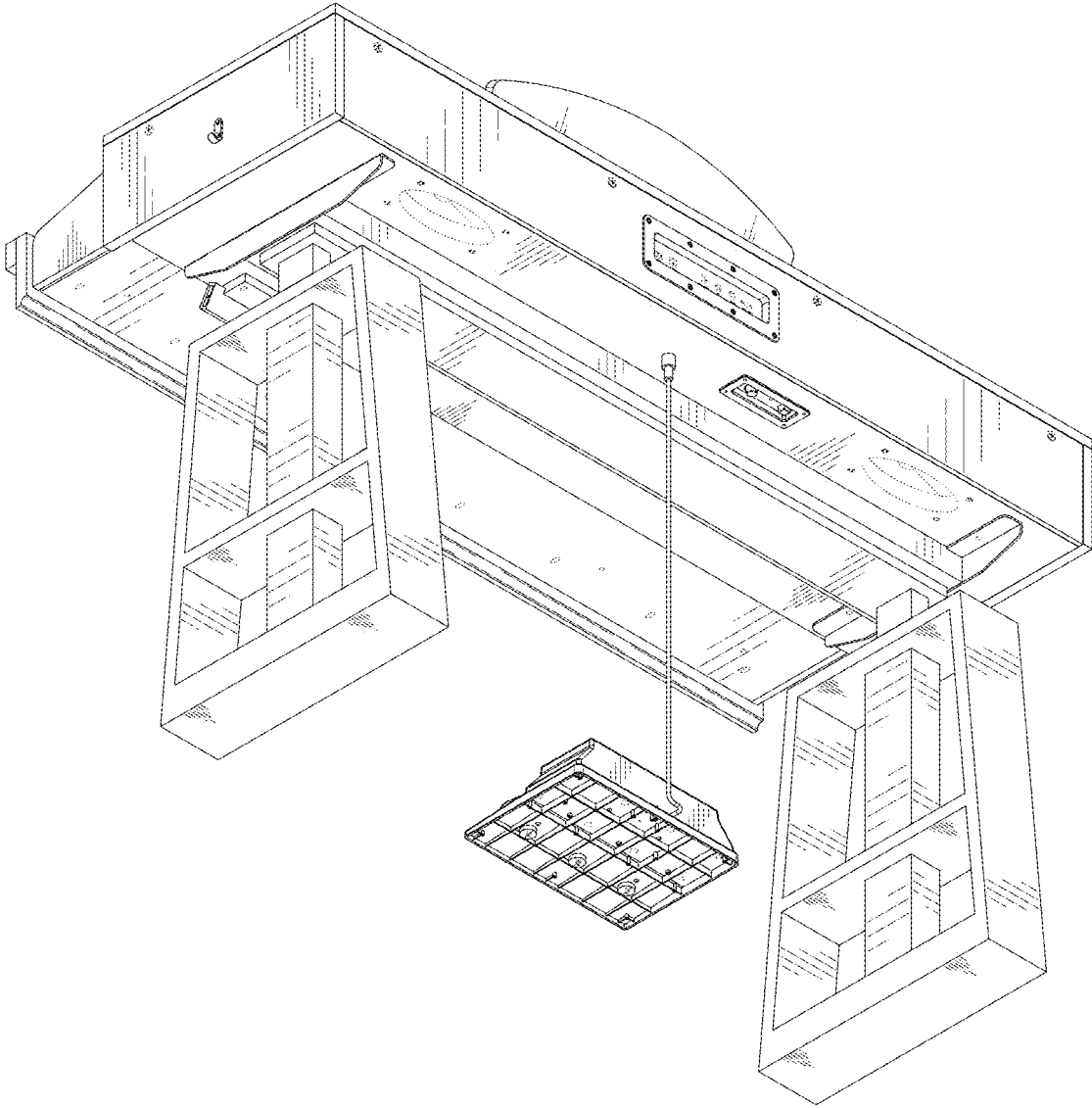


FIG. 2

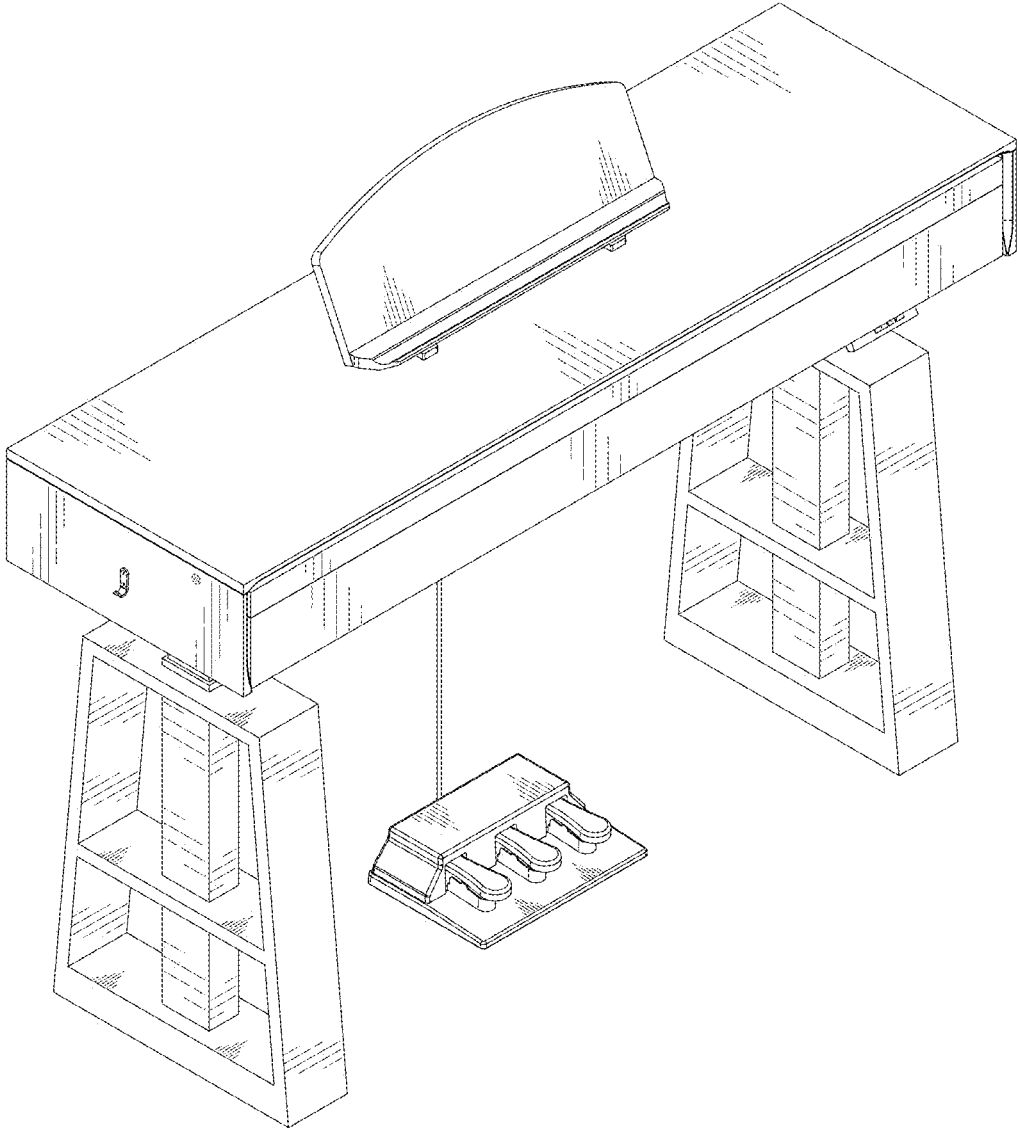


FIG. 3

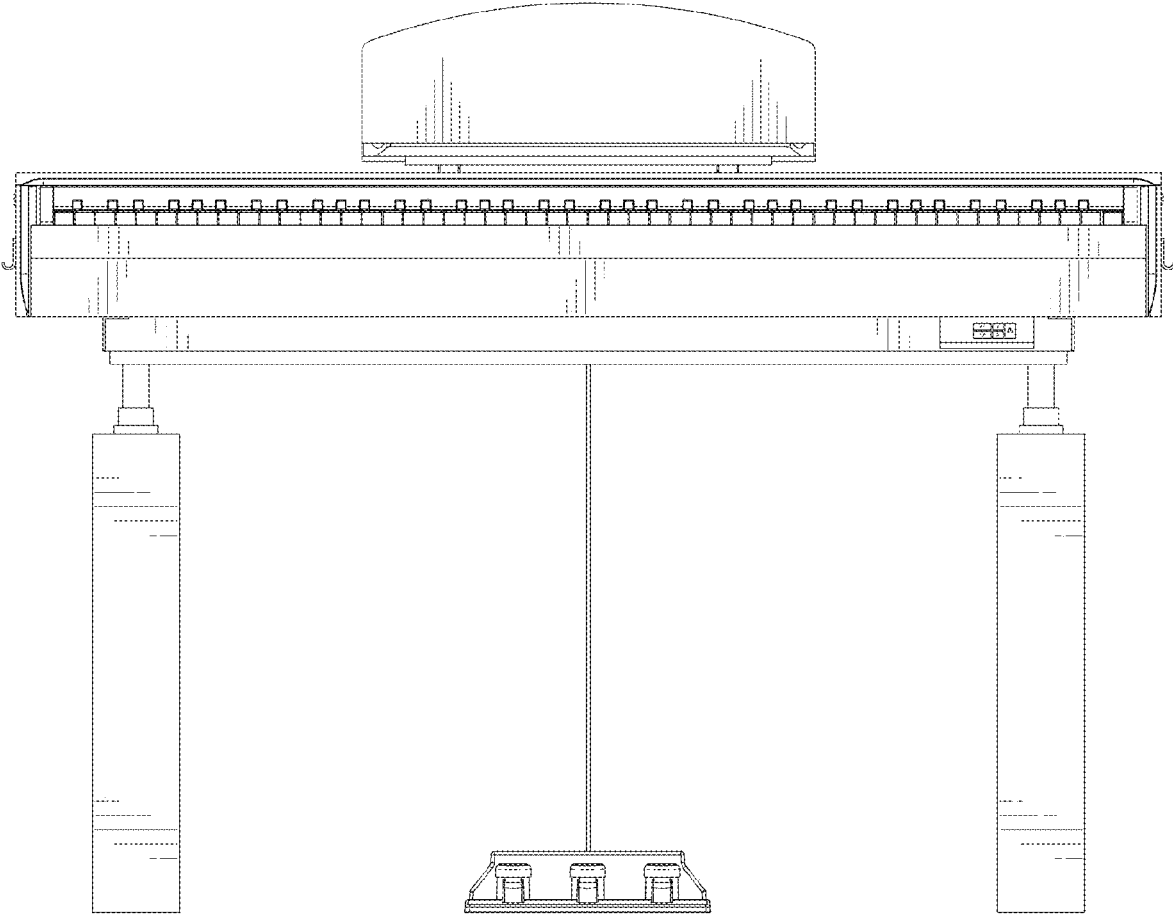


FIG. 4

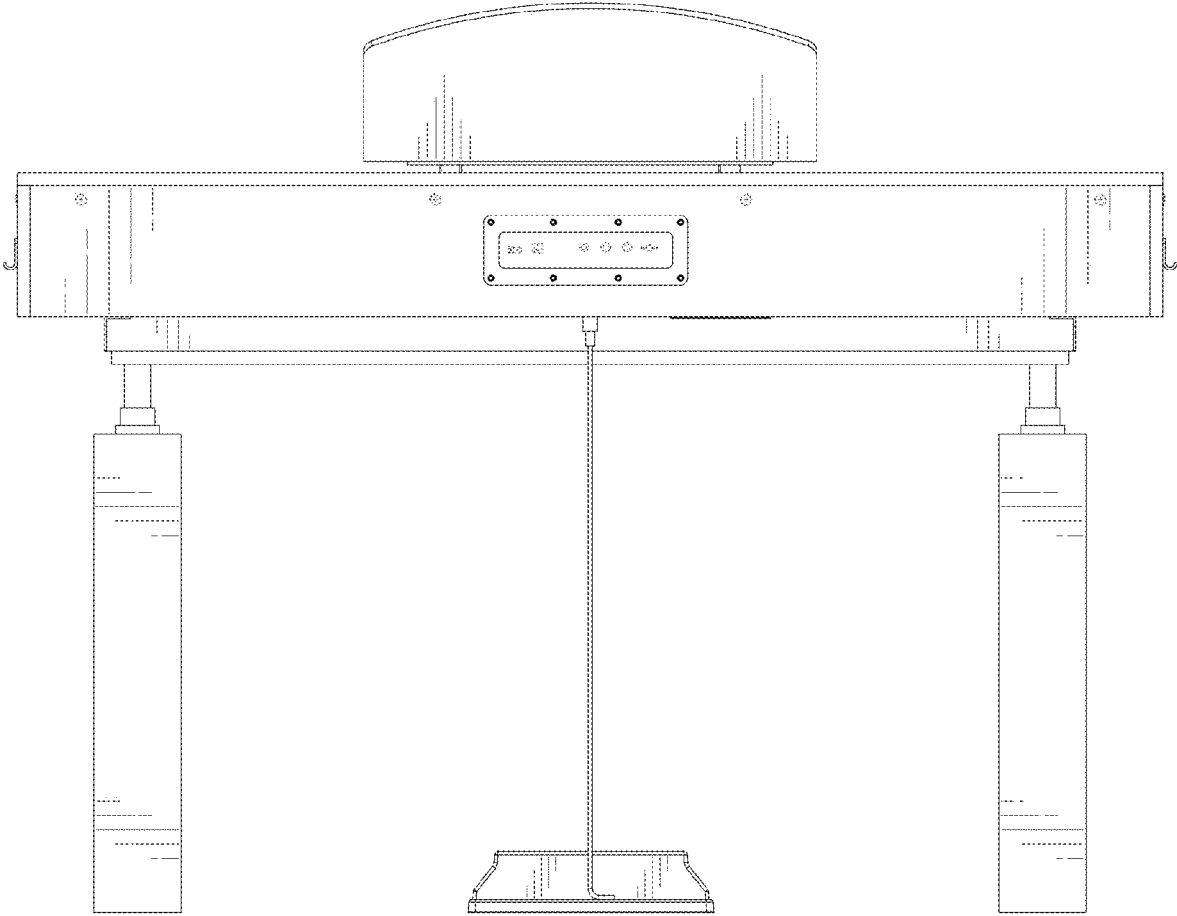


FIG. 5

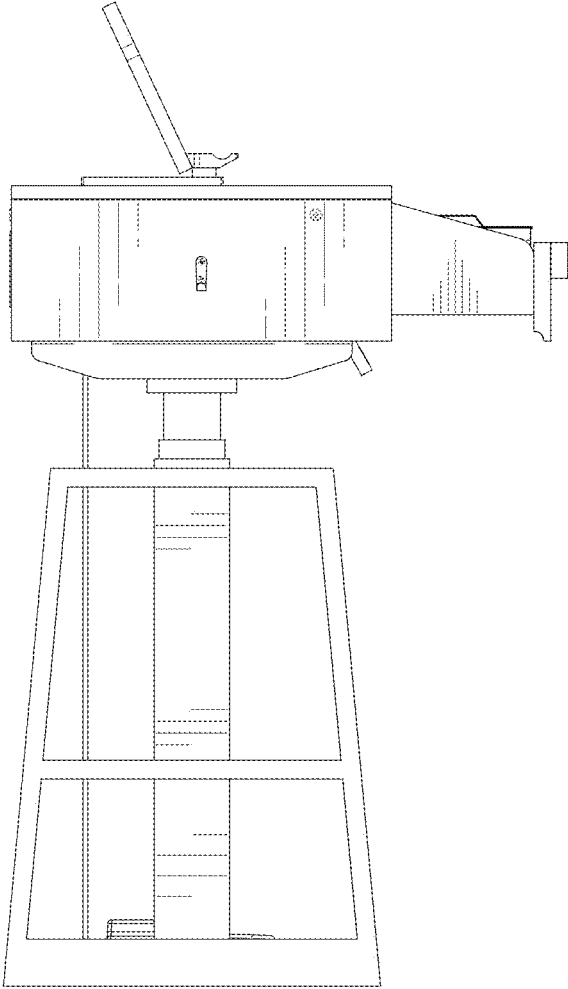


FIG. 6

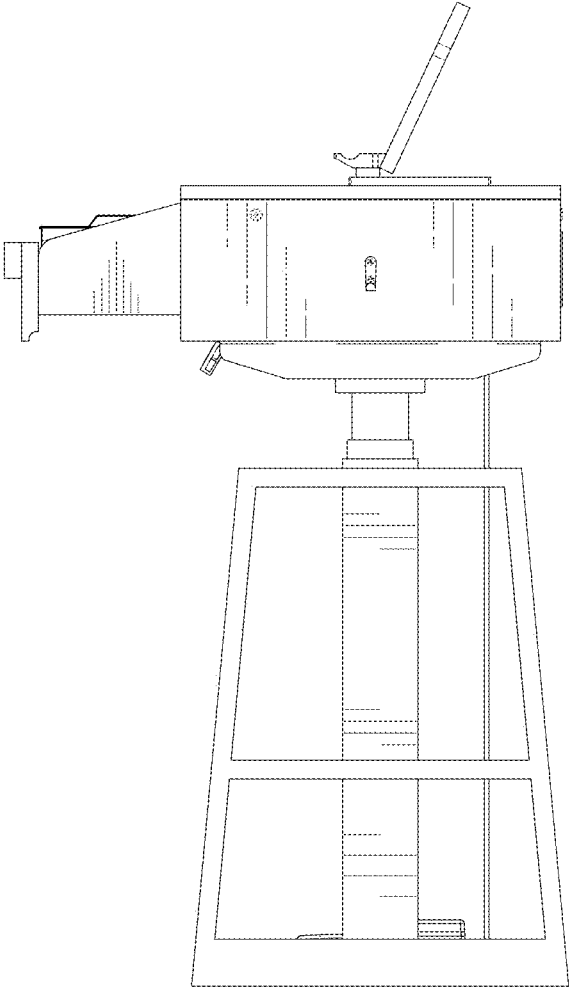


FIG. 7

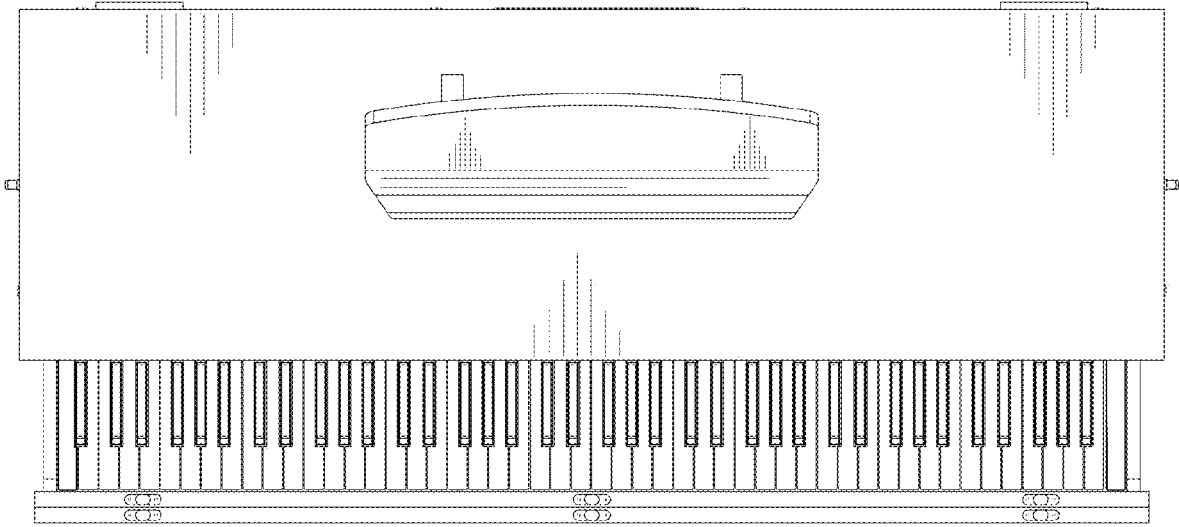


FIG. 8

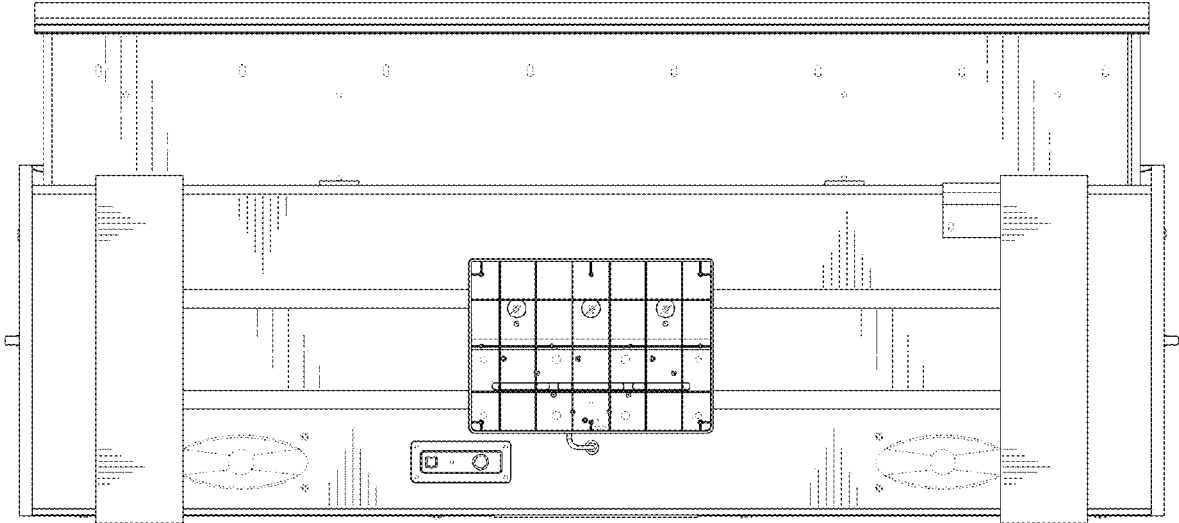


FIG. 9

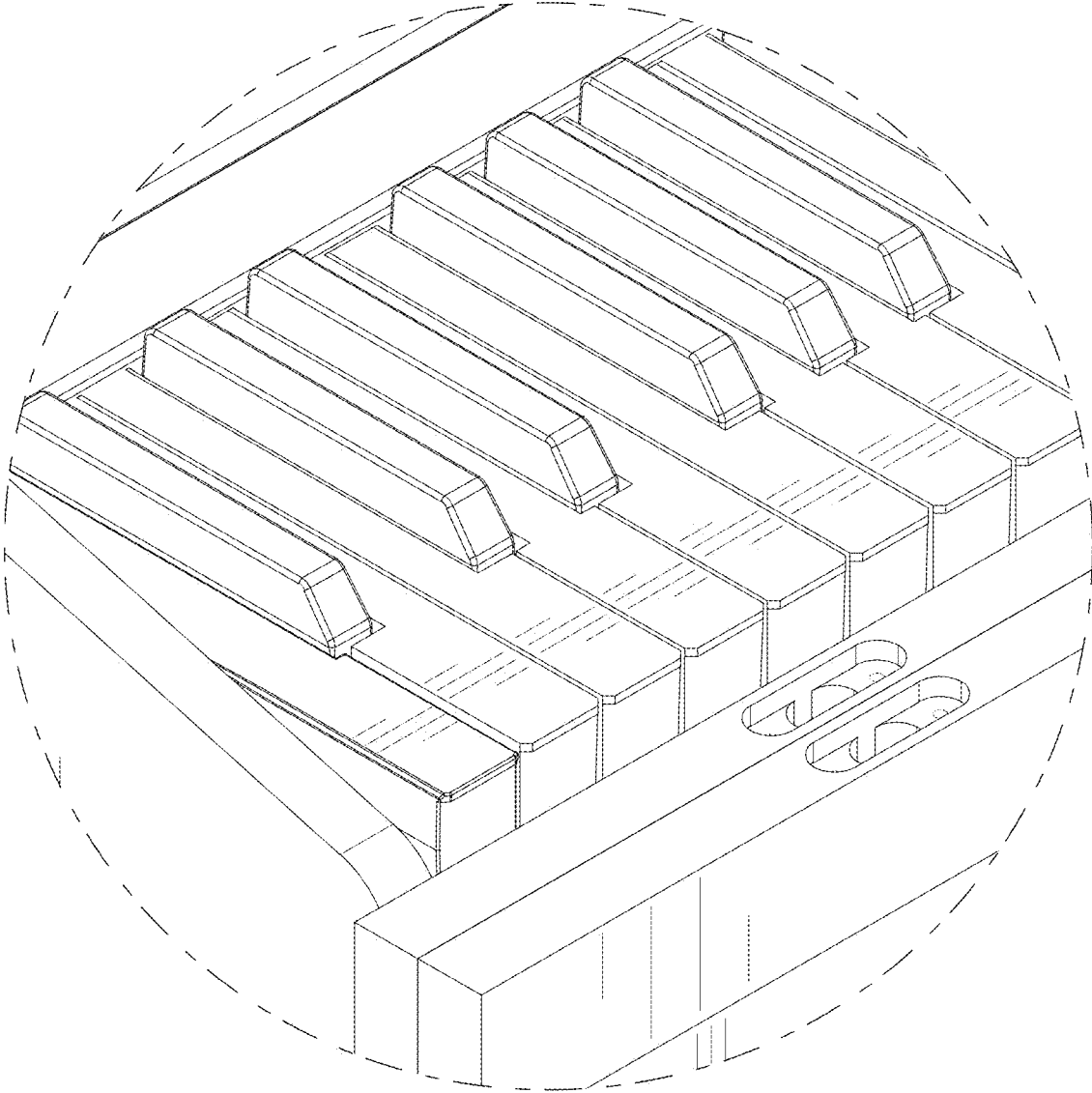


FIG. 10