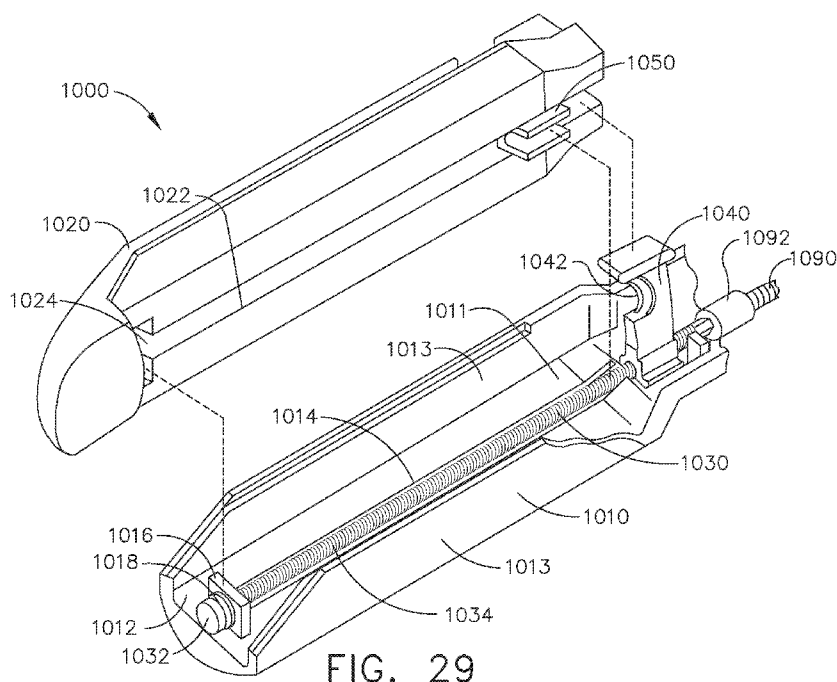




- (51) **International Patent Classification:**
A61B 17/072 (2006.01)
- (21) **International Application Number:**
PCT/IB2020/051844
- (22) **International Filing Date:**
04 March 2020 (04.03.2020)
- (25) **Filing Language:** English
- (26) **Publication Language:** English
- (30) **Priority Data:**
16/363,062 25 March 2019 (25.03.2019) US
- (71) **Applicant:** ETHICON LLC [US/US]; #475 Street C, Suite 401, Los Frailes Industrial Park, Guaynabo, USA, 00969 (PR).
- (72) **Inventor:** SHELTON, IV, Frederick E.; 4545 Creek Road, Cincinnati, Ohio 45242 (US).
- (74) **Agent:** SHIRTZ, Joseph F. et al.; Johnson & Johnson, One Johnson & Johnson Plaza, New Brunswick, New Jersey 08933 (US).
- (81) **Designated States** (unless otherwise indicated, for every kind of national protection available): AE, AG, AL, AM, AO, AT, AU, AZ, BA, BB, BG, BH, BN, BR, BW, BY, BZ, CA, CH, CL, CN, CO, CR, CU, CZ, DE, DJ, DK, DM, DO, DZ, EC, EE, EG, ES, FI, GB, GD, GE, GH, GM, GT, HN, HR, HU, ID, IL, IN, IR, IS, JO, JP, KE, KG, KH, KN, KP, KR, KW, KZ, LA, LC, LK, LR, LS, LU, LY, MA, MD, ME, MG, MK, MN, MW, MX, MY, MZ, NA, NG, NI, NO, NZ, OM, PA, PE, PG, PH, PL, PT, QA, RO, RS, RU, RW, SA, SC, SD, SE, SG, SK, SL, ST, SV, SY, TH, TJ, TM, TN, TR, TT, TZ, UA, UG, US, UZ, VC, VN, WS, ZA, ZM, ZW.
- (84) **Designated States** (unless otherwise indicated, for every kind of regional protection available): ARIPO (BW, GH, GM, KE, LR, LS, MW, MZ, NA, RW, SD, SL, ST, SZ, TZ, UG, ZM, ZW), Eurasian (AM, AZ, BY, KG, KZ, RU, TJ, TM), European (AL, AT, BE, BG, CH, CY, CZ, DE, DK,

(54) **Title:** FIRING DRIVE ARRANGEMENTS FOR SURGICAL SYSTEMS



(57) **Abstract:** An end effector assembly (1000) for use with a surgical instrument is disclosed. The end effector assembly comprises a first jaw (1010) defining a channel (1011) therein, a second jaw, and a threaded rod (1030) extending within the channel. The end effector assembly further comprises a replaceable staple cartridge (1020) comprising a sled (1050), wherein the replaceable staple cartridge is configured to be seated in the channel, and a firing member (1040) operably engaged with the threaded rod, wherein the sled and the firing member are configured to move from a proximal position toward a distal position when the threaded rod is rotated in a first direction.



EE, ES, FI, FR, GB, GR, HR, HU, IE, IS, IT, LT, LU, LV,
MC, MK, MT, NL, NO, PL, PT, RO, RS, SE, SI, SK, SM,
TR), OAPI (BF, BJ, CF, CG, CI, CM, GA, GN, GQ, GW,
KM, ML, MR, NE, SN, TD, TG).

Declarations under Rule 4.17:

- *as to applicant's entitlement to apply for and be granted a patent (Rule 4.17(ii))*
- *as to the applicant's entitlement to claim the priority of the earlier application (Rule 4.17(iii))*

Published:

- *with international search report (Art. 21(3))*
- *in black and white; the international application as filed contained color or greyscale and is available for download from PATENTSCOPE*

TITLE

FIRING DRIVE ARRANGEMENTS FOR SURGICAL SYSTEMS

BACKGROUND

[0001] The present disclosure relates to surgical systems and, in various arrangements, to surgical stapling and cutting systems and staple cartridges for use therewith, among others.

BRIEF DESCRIPTION OF THE DRAWINGS

[0002] Various features of the embodiments described herein, together with advantages thereof, may be understood in accordance with the following description taken in conjunction with the accompanying drawings as follows:

[0003] FIG. 1 is a longitudinal cross-sectional view of an end effector of a surgical instrument system illustrated in an open, or unclamped, configuration which includes a staple cartridge, staples removably stored in the staple cartridge, and an anvil configured to deform the staples;

[0004] FIG. 2 is a longitudinal cross-sectional view of the end effector of FIG. 1 illustrated in a closed, or clamped, configuration and illustrating a firing member in a pre-fired position prior to firing the staples;

[0005] FIG. 3 is a longitudinal cross-sectional view of the end effector of FIG. 1 illustrating a firing member of the end effector in a partially-fired position;

[0006] FIG. 4 is a longitudinal cross-sectional view of the end effector of FIG. 1 illustrating the firing member in a retracted position;

[0007] FIG. 5 is a longitudinal cross-sectional view of the end effector of FIG. 1 illustrating the end effector in a re-opened configuration;

[0008] FIG. 6 is a perspective view of a surgical stapling system comprising an end effector in accordance with at least one embodiment;

[0009] FIG. 7 is a partial cross-sectional perspective view of the end effector of FIG. 6;

[0010] FIG. 8 is a partial cross-sectional elevational view of the end effector of FIG. 6 illustrating the end effector in an open, unfired configuration;

[0011] FIG. 9 is another partial cross-sectional elevational view of the end effector of FIG. 6 illustrating a closure system of the end effector in an open configuration and a firing system of the end effector in an unfired configuration;

[0012] FIG. 10 is a partial cross-sectional elevational view of the end effector of FIG. 6 illustrating the closure system in a partially closed configuration and the firing system in an unfired configuration;

[0013] FIG. 11 is a partial cross-sectional elevational view of the end effector of FIG. 6 illustrating the closure system in a fully closed configuration and the firing system in a partially fired configuration;

[0014] FIG. 12 is a partial cross-sectional elevational view of the end effector of FIG. 6 illustrating the closure system in a fully closed configuration and the firing system in a fully fired configuration;

[0015] FIG. 13 is a partial cross-sectional elevational view of the end effector of FIG. 6 illustrating the closure system in a fully closed configuration and the firing system in a fully retracted configuration;

[0016] FIG. 14 is a partial cross-sectional elevational view of the end effector of FIG. 6 illustrating the closure system in the process of being returned to an open configuration and the firing system in a fully retracted configuration;

[0017] FIG. 15 is a partial cross-sectional elevational view of an end effector comprising a staple firing system configured to compensate for an uneven gap between an anvil and a staple cartridge of the end effector in accordance with at least one embodiment;

[0018] FIG. 16 is a longitudinal cross-sectional view of an end effector of a surgical instrument system illustrated in an open, or unclamped configuration which includes a staple cartridge, staples removably stored in the staple cartridge, and an anvil configured to deform the staples;

[0019] FIG. 17 is a longitudinal cross-sectional view of a portion of the end effector of FIG. 16 with a portion of the anvil shown in cross-section and illustrated in an open

position with the closure nut thereof in a beginning position and with the firing nut shown in a starting pre-fired position;

[0020] FIG. 18 is another longitudinal cross-sectional view of the end effector of FIG. 17 with the anvil portion shown in full view;

[0021] FIG. 19 is another longitudinal cross-sectional view of a portion of the end effector of FIG. 17 with a portion of the anvil shown in cross-section and with the closure nut in the “intermediate” fully-closed position and the firing nut in a pre-fired position located at the distal end of the neutral firing range;

[0022] FIG. 20 is another longitudinal cross-sectional view of a portion of the end effector of FIG. 19 with the anvil portion shown in full view;

[0023] FIG. 21 is another longitudinal cross-sectional view of a portion of the end effector of FIG. 19 with the firing nut located at an end position after the staples have been fired from the staple cartridge with a portion of the anvil shown in cross-section;

[0024] FIG. 22 is another longitudinal cross-sectional view of a portion of the end effector of FIG. 21 with the anvil portion shown in full view;

[0025] FIG. 23 is a partial cross-sectional top view of a portion of a shaft assembly of a surgical instrument with the actuator member thereof in an engaged configuration;

[0026] FIG. 24 is another partial cross-sectional elevational view of the shaft assembly of FIG. 23;

[0027] FIG. 25 is another partial cross-sectional top view of the shaft assembly of FIGS. 23 and 24 illustrating the locking system thereof in a “pre-lock configuration”;

[0028] FIG. 26 is a partial cross-sectional elevational view of the shaft assembly of FIG. 25;

[0029] FIG. 27 is another partial cross-sectional top view of the shaft assembly of FIGS. 23-26 with the actuator member in the disengaged configuration and the lock system in a locked configuration;

[0030] FIG. 28 is a partial cross-sectional elevational view of the shaft assembly of FIG. 27;

[0031] FIG. 29 is a partial exploded perspective view of an end effector assembly of a surgical stapling instrument system, wherein the end effector assembly comprises a threaded rod mounted within a jaw;

[0032] FIG. 30 is a cross-sectional view of a portion of the end effector assembly of FIG. 29 illustrating a structure for mounting the threaded rod within a channel of the jaw;

[0033] FIG. 31 is a cross-sectional view of a portion of the end effector assembly of FIG. 29 illustrating the interfaces between the jaw, the threaded rod, a staple cartridge, and a firing member of the surgical stapling instrument system;

[0034] FIG. 32 is a cross-sectional view of a portion of the end effector assembly of FIG. 29 illustrating the interfaces between the first jaw, the threaded rod, the staple cartridge, and a sled of the staple cartridge;

[0035] FIG. 33 is a cross-sectional view of a portion of an end effector assembly of a surgical stapling instrument system illustrating the engagement surfaces of a threaded rod of the surgical stapling instrument system and a sled of a staple cartridge seated in the surgical stapling instrument system;

[0036] FIG. 34 is a graphical representation of the thread torque transferable through the engagement surfaces of FIG. 33;

[0037] FIG. 35A is a cross-sectional view of a portion of an end effector assembly illustrating the engagement surfaces of a first portion of a threaded rod of a surgical stapling instrument system and a sled of a staple cartridge seated in the surgical stapling instrument system;

[0038] FIG. 35B is a cross-sectional view of a portion of the end effector assembly of FIG. 35A illustrating the engagement surfaces of the sled and a second portion of the threaded rod;

[0039] FIG. 36 is a graphical representation of the thread torque experienced as the sled engages non-uniform threads of the threaded rod of FIGS. 35A and 35B in advancing and retracting directions during a staple firing stroke;

[0040] FIG. 37 is a partial exploded perspective view of an end effector assembly of a surgical instrument system, wherein the end effector assembly comprises a first jaw and a staple cartridge having an integrated threaded rod;

[0041] FIG. 38 is a partial cross-sectional view of the end effector assembly of FIG. 37 illustrating a structure for mounting the threaded rod within a channel of the first jaw;

[0042] FIG. 39 is a partial perspective view of the end effector assembly of FIG. 37 illustrating a connection interface between the staple cartridge and a drive system of the surgical instrument system;

[0043] FIG. 40 is a partial cross-sectional view of the end effector assembly of FIG. 37, illustrating the staple cartridge seated in the first jaw;

[0044] FIG. 41 is a cross-sectional view of a portion of an end effector assembly illustrating the arcuate surfaces of a staple driver and a sled;

[0045] FIG. 42A is a partial cross-sectional elevational view of an articulation assembly;

[0046] FIG. 42B is a partial cross-sectional end view of the articulation assembly of FIG. 42A;

[0047] FIG. 42C is a partial cross-sectional plan view of the articulation assembly of FIG. 42A;

[0048] FIG. 43 is a partial cross-sectional view of an engagement surface of the articulation assembly of FIG. 42A; and

[0049] FIG. 44 is a partial cross-sectional view of the engagement surface of FIG. 43 comprising a backstop.

[0050] Corresponding reference characters indicate corresponding parts throughout the several views. The exemplifications set out herein illustrate various embodiments of the invention, in one form, and such exemplifications are not to be construed as limiting the scope of the invention in any manner.

DETAILED DESCRIPTION

[0051] Applicant of the present application owns the following U.S. Patent Applications that were filed on even date herewith and which are each herein incorporated by reference in their respective entireties:

- U.S. Patent Application entitled ARTICULATION DRIVE ARRANGEMENTS FOR SURGICAL SYSTEMS, Attorney Docket No. END9006USNP1/180541;
- U.S. Patent Application entitled FIRING DRIVE ARRANGEMENTS FOR SURGICAL SYSTEMS; Attorney Docket No. END9007USNP1/180542; and

- U.S. Patent Application entitled FIRING DRIVE ARRANGEMENTS FOR SURGICAL SYSTEMS; Attorney Docket No. END9008USNP1/180543.

[0052] Applicant of the present application owns the following U.S. Patent Applications that were filed on December 14, 2018 which are each herein incorporated by reference in their respective entireties:

- U.S. Patent Application Serial No. 16/220,281, entitled SURGICAL INSTRUMENT WITH A HARDWARE-ONLY CONTROL CIRCUIT;
- U.S. Patent Application Serial No. 16/220,301, entitled SURGICAL INSTRUMENT WITH ACOUSTIC-BASED MOTOR CONTROL;
- U.S. Patent Application Serial No. 16/220,313, entitled SURGICAL INSTRUMENT COMPRISING A PLURALITY OF DRIVE SYSTEMS;
- U.S. Patent Application Serial No. 16/220,296, entitled SURGICAL INSTRUMENT COMPRISING A CONTROL CIRCUIT;
- U.S. Patent Application Serial No. 16/220,309, entitled SURGICAL INSTRUMENTS COMPRISING BUTTON CIRCUITS;
- U.S. Patent Application Serial No. 16/220,318, entitled SURGICAL INSTRUMENT COMPRISING A CONTROL SYSTEM THAT USES INPUT FROM A STRAIN GAGE CIRCUIT;
- U.S. Patent Application Serial No. 16/220,273, entitled SURGICAL INSTRUMENT WITH A SENSING ARRAY; and
- U.S. Patent Application Serial No 16/220,280, entitled SURGICAL INSTRUMENT WITH ENVIRONMENT SENSING.

[0053] Applicant of the present application owns the following U.S. Provisional Patent Applications, filed on December 12, 2018, each of which is herein incorporated by reference in its entirety:

- U.S. Provisional Patent Application Serial No. 62/778,571, entitled SURGICAL INSTRUMENT SYSTEMS;
- U.S. Provisional Patent Application Serial No. 62/778,572, entitled SURGICAL INSTRUMENT SYSTEMS; and
- U.S. Provisional Patent Application Serial No. 62/778,573, entitled SURGICAL INSTRUMENT SYSTEMS.

[0054] Applicant of the present application owns the following U.S. Patent Applications that were filed on October 26, 2018 which are each herein incorporated by reference in their respective entireties:

- U.S. Patent Application Serial No. 16/172,130, entitled CLIP APPLIER COMPRISING INTERCHANGEABLE CLIP RELOADS;
- U.S. Patent Application Serial No. 16/172,066, entitled CLIP APPLIER COMPRISING A MOVABLE CLIP MAGAZINE;
- U.S. Patent Application Serial No. 16/172,078, entitled CLIP APPLIER COMPRISING A ROTABLE CLIP MAGAZINE;
- U.S. Patent Application Serial No. 16/172,087, entitled CLIP APPLIER COMPRISING CLIP ADVANCING SYSTEMS;
- U.S. Patent Application Serial No. 16/172,094, entitled CLIP APPLIER COMPRISING A CLIP CRIMPING SYSTEM;
- U.S. Patent Application Serial No. 16/172,128, entitled CLIP APPLIER COMPRISING A RECIPROCATING CLIP ADVANCING MEMBER;
- U.S. Patent Application Serial No. 16/172,168, entitled CLIP APPLIER COMPRISING A MOTOR CONTROLLER;
- U.S. Patent Application Serial No. 16/172,164, entitled SURGICAL SYSTEM COMPRISING A SURGICAL TOOL AND A SURGICAL HUB; and
- U.S. Patent Application Serial No. 16/172,303, entitled METHOD FOR OPERATING A POWERED ARTICULATING MULTI-CLIP APPLIER.

[0055] Applicant of the present application owns the following U.S. Patent Applications that were filed on October 26, 2018 which are each herein incorporated by reference in their respective entireties:

- U.S. Patent Application Serial No. 16/172,328, entitled METHOD OF HUB COMMUNICATION WITH SURGICAL INSTRUMENT SYSTEMS;
- U.S. Patent Application Serial No. 16/172,280, entitled METHOD FOR PRODUCING A SURGICAL INSTRUMENT COMPRISING A SMART ELECTRICAL SYSTEM;
- U.S. Patent Application Serial No. 16/172,219, entitled METHOD OF HUB COMMUNICATION WITH SURGICAL INSTRUMENT SYSTEMS;

- U.S. Patent Application Serial No. 16/172,248, entitled METHOD FOR COMMUNICATING WITH SURGICAL INSTRUMENT SYSTEMS;
- U.S. Patent Application Serial No. 16/172,198, entitled METHOD OF HUB COMMUNICATION WITH SURGICAL INSTRUMENT SYSTEMS; and
- U.S. Patent Application Serial No. 16/172,155, entitled METHOD OF HUB COMMUNICATION WITH SURGICAL INSTRUMENT SYSTEMS.

[0056] Applicant of the present application owns the following U.S. Patent Applications that were filed on August 24, 2018 which are each herein incorporated by reference in their respective entireties:

- U.S. Patent Application Serial No. 16/112,129, entitled SURGICAL SUTURING INSTRUMENT CONFIGURED TO MANIPULATE TISSUE USING MECHANICAL AND ELECTRICAL POWER;
- U.S. Patent Application Serial No. 16/112,155, entitled SURGICAL SUTURING INSTRUMENT COMPRISING A CAPTURE WIDTH WHICH IS LARGER THAN TROCAR DIAMETER;
- U.S. Patent Application Serial No. 16/112,168, entitled SURGICAL SUTURING INSTRUMENT COMPRISING A NON-CIRCULAR NEEDLE;
- U.S. Patent Application Serial No. 16/112,180, entitled ELECTRICAL POWER OUTPUT CONTROL BASED ON MECHANICAL FORCES;
- U.S. Patent Application Serial No. 16/112,193, entitled REACTIVE ALGORITHM FOR SURGICAL SYSTEM;
- U.S. Patent Application Serial No. 16/112,099, entitled SURGICAL INSTRUMENT COMPRISING AN ADAPTIVE ELECTRICAL SYSTEM;
- U.S. Patent Application Serial No. 16/112,112, entitled CONTROL SYSTEM ARRANGEMENTS FOR A MODULAR SURGICAL INSTRUMENT;
- U.S. Patent Application Serial No. 16/112,119, entitled ADAPTIVE CONTROL PROGRAMS FOR A SURGICAL SYSTEM COMPRISING MORE THAN ONE TYPE OF CARTRIDGE;
- U.S. Patent Application Serial No. 16/112,097, entitled SURGICAL INSTRUMENT SYSTEMS COMPRISING BATTERY ARRANGEMENTS;

- U.S. Patent Application Serial No. 16/112,109, entitled SURGICAL INSTRUMENT SYSTEMS COMPRISING HANDLE ARRANGEMENTS;
- U.S. Patent Application Serial No. 16/112,114, entitled SURGICAL INSTRUMENT SYSTEMS COMPRISING FEEDBACK MECHANISMS;
- U.S. Patent Application Serial No. 16/112,117, entitled SURGICAL INSTRUMENT SYSTEMS COMPRISING LOCKOUT MECHANISMS;
- U.S. Patent Application Serial No. 16/112,095, entitled SURGICAL INSTRUMENTS COMPRISING A LOCKABLE END EFFECTOR SOCKET;
- U.S. Patent Application Serial No. 16/112,121, entitled SURGICAL INSTRUMENTS COMPRISING A SHIFTING MECHANISM;
- U.S. Patent Application Serial No. 16/112,151, entitled SURGICAL INSTRUMENTS COMPRISING A SYSTEM FOR ARTICULATION AND ROTATION COMPENSATION;
- U.S. Patent Application Serial No. 16/112,154, entitled SURGICAL INSTRUMENTS COMPRISING A BIASED SHIFTING MECHANISM;
- U.S. Patent Application Serial No. 16/112,226, entitled SURGICAL INSTRUMENTS COMPRISING AN ARTICULATION DRIVE THAT PROVIDES FOR HIGH ARTICULATION ANGLES;
- U.S. Patent Application Serial No. 16/112,062, entitled SURGICAL DISSECTORS AND MANUFACTURING TECHNIQUES;
- U.S. Patent Application Serial No. 16/112,098, entitled SURGICAL DISSECTORS CONFIGURED TO APPLY MECHANICAL AND ELECTRICAL ENERGY;
- U.S. Patent Application Serial No. 16/112,237, entitled SURGICAL CLIP APPLIER CONFIGURED TO STORE CLIPS IN A STORED STATE;
- U.S. Patent Application Serial No. 16/112,245, entitled SURGICAL CLIP APPLIER COMPRISING AN EMPTY CLIP CARTRIDGE LOCKOUT;
- U.S. Patent Application Serial No. 16/112,249, entitled SURGICAL CLIP APPLIER COMPRISING AN AUTOMATIC CLIP FEEDING SYSTEM;
- U.S. Patent Application Serial No. 16/112,253, entitled SURGICAL CLIP APPLIER COMPRISING ADAPTIVE FIRING CONTROL; and

- U.S. Patent Application Serial No. 16/112,257, entitled SURGICAL CLIP APPLIER COMPRISING ADAPTIVE CONTROL IN RESPONSE TO A STRAIN GAUGE CIRCUIT.

[0057] Applicant of the present application owns the following U.S. Patent Applications that were filed on May 1, 2018 and which are each herein incorporated by reference in their respective entireties:

- U.S. Provisional Patent Application Serial No. 62/665,129, entitled SURGICAL SUTURING SYSTEMS;
- U.S. Provisional Patent Application Serial No. 62/665,139, entitled SURGICAL INSTRUMENTS COMPRISING CONTROL SYSTEMS;
- U.S. Provisional Patent Application Serial No. 62/665,177, entitled SURGICAL INSTRUMENTS COMPRISING HANDLE ARRANGEMENTS;
- U.S. Provisional Patent Application Serial No. 62/665,128, entitled MODULAR SURGICAL INSTRUMENTS;
- U.S. Provisional Patent Application Serial No. 62/665,192, entitled SURGICAL DISSECTORS; and
- U.S. Provisional Patent Application Serial No. 62/665,134, entitled SURGICAL CLIP APPLIER.

[0058] Applicant of the present application owns the following U.S. Patent Applications that were filed on February 28, 2018 and which are each herein incorporated by reference in their respective entireties:

- U.S. Patent Application Serial No. 15/908,021, entitled SURGICAL INSTRUMENT WITH REMOTE RELEASE;
- U.S. Patent Application Serial No. 15/908,012, entitled SURGICAL INSTRUMENT HAVING DUAL ROTATABLE MEMBERS TO EFFECT DIFFERENT TYPES OF END EFFECTOR MOVEMENT;
- U.S. Patent Application Serial No. 15/908,040, entitled SURGICAL INSTRUMENT WITH ROTARY DRIVE SELECTIVELY ACTUATING MULTIPLE END EFFECTOR FUNCTIONS;

- U.S. Patent Application Serial No. 15/908,057, entitled SURGICAL INSTRUMENT WITH ROTARY DRIVE SELECTIVELY ACTUATING MULTIPLE END EFFECTOR FUNCTIONS;
- U.S. Patent Application Serial No. 15/908,058, entitled SURGICAL INSTRUMENT WITH MODULAR POWER SOURCES; and
- U.S. Patent Application Serial No. 15/908,143, entitled SURGICAL INSTRUMENT WITH SENSOR AND/OR CONTROL SYSTEMS.

[0059] Applicant of the present application owns the following U.S. Patent Applications that were filed on October 30, 2017 and which are each herein incorporated by reference in their respective entireties:

- U.S. Provisional Patent Application Serial No. 62/578,793, entitled SURGICAL INSTRUMENT WITH REMOTE RELEASE;
- U.S. Provisional Patent Application Serial No. 62/578,804, entitled SURGICAL INSTRUMENT HAVING DUAL ROTABLE MEMBERS TO EFFECT DIFFERENT TYPES OF END EFFECTOR MOVEMENT;
- U.S. Provisional Patent Application Serial No. 62/578,817, entitled SURGICAL INSTRUMENT WITH ROTARY DRIVE SELECTIVELY ACTUATING MULTIPLE END EFFECTOR FUNCTIONS;
- U.S. Provisional Patent Application Serial No. 62/578,835, entitled SURGICAL INSTRUMENT WITH ROTARY DRIVE SELECTIVELY ACTUATING MULTIPLE END EFFECTOR FUNCTIONS;
- U.S. Provisional Patent Application Serial No. 62/578,844, entitled SURGICAL INSTRUMENT WITH MODULAR POWER SOURCES; and
- U.S. Provisional Patent Application Serial No. 62/578,855, entitled SURGICAL INSTRUMENT WITH SENSOR AND/OR CONTROL SYSTEMS.

[0060] Applicant of the present application owns the following U.S. Provisional Patent Applications, filed on December 28, 2017, the disclosure of each of which is herein incorporated by reference in its entirety:

- U.S. Provisional Patent Application Serial No. 62/611,341, entitled INTERACTIVE SURGICAL PLATFORM;

- U.S. Provisional Patent Application Serial No. 62/611,340, entitled CLOUD-BASED MEDICAL ANALYTICS; and
- U.S. Provisional Patent Application Serial No. 62/611,339, entitled ROBOT ASSISTED SURGICAL PLATFORM.

[0061] Applicant of the present application owns the following U.S. Provisional Patent Applications, filed on March 28, 2018, each of which is herein incorporated by reference in its entirety:

- U.S. Provisional Patent Application Serial No. 62/649,302, entitled INTERACTIVE SURGICAL SYSTEMS WITH ENCRYPTED COMMUNICATION CAPABILITIES;
- U.S. Provisional Patent Application Serial No. 62/649,294, entitled DATA STRIPPING METHOD TO INTERROGATE PATIENT RECORDS AND CREATE ANONYMIZED RECORD;
- U.S. Provisional Patent Application Serial No. 62/649,300, entitled SURGICAL HUB SITUATIONAL AWARENESS;
- U.S. Provisional Patent Application Serial No. 62/649,309, entitled SURGICAL HUB SPATIAL AWARENESS TO DETERMINE DEVICES IN OPERATING THEATER;
- U.S. Provisional Patent Application Serial No. 62/649,310, entitled COMPUTER IMPLEMENTED INTERACTIVE SURGICAL SYSTEMS;
- U.S. Provisional Patent Application Serial No. 62/649,291, entitled USE OF LASER LIGHT AND RED-GREEN-BLUE COLORATION TO DETERMINE PROPERTIES OF BACK SCATTERED LIGHT;
- U.S. Provisional Patent Application Serial No. 62/649,296, entitled ADAPTIVE CONTROL PROGRAM UPDATES FOR SURGICAL DEVICES;
- U.S. Provisional Patent Application Serial No. 62/649,333, entitled CLOUD-BASED MEDICAL ANALYTICS FOR CUSTOMIZATION AND RECOMMENDATIONS TO A USER;
- U.S. Provisional Patent Application Serial No. 62/649,327, entitled CLOUD-BASED MEDICAL ANALYTICS FOR SECURITY AND AUTHENTICATION TRENDS AND REACTIVE MEASURES;

- U.S. Provisional Patent Application Serial No. 62/649,315, entitled DATA HANDLING AND PRIORITIZATION IN A CLOUD ANALYTICS NETWORK;
- U.S. Provisional Patent Application Serial No. 62/649,313, entitled CLOUD INTERFACE FOR COUPLED SURGICAL DEVICES;
- U.S. Provisional Patent Application Serial No. 62/649,320, entitled DRIVE ARRANGEMENTS FOR ROBOT-ASSISTED SURGICAL PLATFORMS;
- U.S. Provisional Patent Application Serial No. 62/649,307, entitled AUTOMATIC TOOL ADJUSTMENTS FOR ROBOT-ASSISTED SURGICAL PLATFORMS; and
- U.S. Provisional Patent Application Serial No. 62/649,323, entitled SENSING ARRANGEMENTS FOR ROBOT-ASSISTED SURGICAL PLATFORMS.

[0062] Applicant of the present application owns the following U.S. Patent Applications, filed on March 29, 2018, each of which is herein incorporated by reference in its entirety:

- U.S. Patent Application Serial No. 15/940,641, entitled INTERACTIVE SURGICAL SYSTEMS WITH ENCRYPTED COMMUNICATION CAPABILITIES;
- U.S. Patent Application Serial No. 15/940,648, entitled INTERACTIVE SURGICAL SYSTEMS WITH CONDITION HANDLING OF DEVICES AND DATA CAPABILITIES;
- U.S. Patent Application Serial No. 15/940,656, entitled SURGICAL HUB COORDINATION OF CONTROL AND COMMUNICATION OF OPERATING ROOM DEVICES;
- U.S. Patent Application Serial No. 15/940,666, entitled SPATIAL AWARENESS OF SURGICAL HUBS IN OPERATING ROOMS;
- U.S. Patent Application Serial No. 15/940,670, entitled COOPERATIVE UTILIZATION OF DATA DERIVED FROM SECONDARY SOURCES BY INTELLIGENT SURGICAL HUBS;
- U.S. Patent Application Serial No. 15/940,677, entitled SURGICAL HUB CONTROL ARRANGEMENTS;
- U.S. Patent Application Serial No. 15/940,632, entitled DATA STRIPPING METHOD TO INTERROGATE PATIENT RECORDS AND CREATE ANONYMIZED RECORD;

- U.S. Patent Application Serial No. 15/940,640, entitled COMMUNICATION HUB AND STORAGE DEVICE FOR STORING PARAMETERS AND STATUS OF A SURGICAL DEVICE TO BE SHARED WITH CLOUD BASED ANALYTICS SYSTEMS;
- U.S. Patent Application Serial No. 15/940,645, entitled SELF DESCRIBING DATA PACKETS GENERATED AT AN ISSUING INSTRUMENT;
- U.S. Patent Application Serial No. 15/940,649, entitled DATA PAIRING TO INTERCONNECT A DEVICE MEASURED PARAMETER WITH AN OUTCOME;
- U.S. Patent Application Serial No. 15/940,654, entitled SURGICAL HUB SITUATIONAL AWARENESS;
- U.S. Patent Application Serial No. 15/940,663, entitled SURGICAL SYSTEM DISTRIBUTED PROCESSING;
- U.S. Patent Application Serial No. 15/940,668, entitled AGGREGATION AND REPORTING OF SURGICAL HUB DATA;
- U.S. Patent Application Serial No. 15/940,671, entitled SURGICAL HUB SPATIAL AWARENESS TO DETERMINE DEVICES IN OPERATING THEATER;
- U.S. Patent Application Serial No. 15/940,686, entitled DISPLAY OF ALIGNMENT OF STAPLE CARTRIDGE TO PRIOR LINEAR STAPLE LINE;
- U.S. Patent Application Serial No. 15/940,700, entitled STERILE FIELD INTERACTIVE CONTROL DISPLAYS;
- U.S. Patent Application Serial No. 15/940,629, entitled COMPUTER IMPLEMENTED INTERACTIVE SURGICAL SYSTEMS;
- U.S. Patent Application Serial No. 15/940,704, entitled USE OF LASER LIGHT AND RED-GREEN-BLUE COLORATION TO DETERMINE PROPERTIES OF BACK SCATTERED LIGHT;
- U.S. Patent Application Serial No. 15/940,722, entitled CHARACTERIZATION OF TISSUE IRREGULARITIES THROUGH THE USE OF MONO-CHROMATIC LIGHT REFRACTIVITY; and
- U.S. Patent Application Serial No. 15/940,742, entitled DUAL CMOS ARRAY IMAGING.

[0063] Applicant of the present application owns the following U.S. Patent Applications, filed on March 29, 2018, each of which is herein incorporated by reference in its entirety:

- U.S. Patent Application Serial No. 15/940,636, entitled ADAPTIVE CONTROL PROGRAM UPDATES FOR SURGICAL DEVICES;
- U.S. Patent Application Serial No. 15/940,653, entitled ADAPTIVE CONTROL PROGRAM UPDATES FOR SURGICAL HUBS;
- U.S. Patent Application Serial No. 15/940,660, entitled CLOUD-BASED MEDICAL ANALYTICS FOR CUSTOMIZATION AND RECOMMENDATIONS TO A USER;
- U.S. Patent Application Serial No. 15/940,679, entitled CLOUD-BASED MEDICAL ANALYTICS FOR LINKING OF LOCAL USAGE TRENDS WITH THE RESOURCE ACQUISITION BEHAVIORS OF LARGER DATA SET;
- U.S. Patent Application Serial No. 15/940,694, entitled CLOUD-BASED MEDICAL ANALYTICS FOR MEDICAL FACILITY SEGMENTED INDIVIDUALIZATION OF INSTRUMENT FUNCTION;
- U.S. Patent Application Serial No. 15/940,634, entitled CLOUD-BASED MEDICAL ANALYTICS FOR SECURITY AND AUTHENTICATION TRENDS AND REACTIVE MEASURES;
- U.S. Patent Application Serial No. 15/940,706, entitled DATA HANDLING AND PRIORITIZATION IN A CLOUD ANALYTICS NETWORK; and
- U.S. Patent Application Serial No. 15/940,675, entitled CLOUD INTERFACE FOR COUPLED SURGICAL DEVICES.

[0064] Applicant of the present application owns the following U.S. Patent Applications, filed on March 29, 2018, each of which is herein incorporated by reference in its entirety:

- U.S. Patent Application Serial No. 15/940,627, entitled DRIVE ARRANGEMENTS FOR ROBOT-ASSISTED SURGICAL PLATFORMS;
- U.S. Patent Application Serial No. 15/940,637, entitled COMMUNICATION ARRANGEMENTS FOR ROBOT-ASSISTED SURGICAL PLATFORMS;

- U.S. Patent Application Serial No. 15/940,642, entitled CONTROLS FOR ROBOT-ASSISTED SURGICAL PLATFORMS;
- U.S. Patent Application Serial No. 15/940,676, entitled AUTOMATIC TOOL ADJUSTMENTS FOR ROBOT-ASSISTED SURGICAL PLATFORMS;
- U.S. Patent Application Serial No. 15/940,680, entitled CONTROLLERS FOR ROBOT-ASSISTED SURGICAL PLATFORMS;
- U.S. Patent Application Serial No. 15/940,683, entitled COOPERATIVE SURGICAL ACTIONS FOR ROBOT-ASSISTED SURGICAL PLATFORMS;
- U.S. Patent Application Serial No. 15/940,690, entitled DISPLAY ARRANGEMENTS FOR ROBOT-ASSISTED SURGICAL PLATFORMS; and
- U.S. Patent Application Serial No. 15/940,711, entitled SENSING ARRANGEMENTS FOR ROBOT-ASSISTED SURGICAL PLATFORMS.

[0065] Applicant of the present application owns the following U.S. Provisional Patent Applications, filed on March 30, 2018, each of which is herein incorporated by reference in its entirety:

- U.S. Provisional Patent Application Serial No. 62/650,887, entitled SURGICAL SYSTEMS WITH OPTIMIZED SENSING CAPABILITIES;
- U.S. Provisional Patent Application Serial No. 62/650,877, entitled SURGICAL SMOKE EVACUATION SENSING AND CONTROLS;
- U.S. Provisional Patent Application Serial No. 62/650,882, entitled SMOKE EVACUATION MODULE FOR INTERACTIVE SURGICAL PLATFORM; and
- U.S. Provisional Patent Application Serial No. 62/650,898, entitled CAPACITIVE COUPLED RETURN PATH PAD WITH SEPARABLE ARRAY ELEMENTS.

[0066] Applicant of the present application owns the following U.S. Provisional Patent Application, filed on April 19, 2018, which is herein incorporated by reference in its entirety:

- U.S. Provisional Patent Application Serial No. 62/659,900, entitled METHOD OF HUB COMMUNICATION.

[0067] Applicant of the present application owns the following U.S. Provisional Patent Applications, filed on October 25, 2018, each of which is herein incorporated by reference in its entirety:

- U.S. Provisional Patent Application Serial No. 62/750,529, entitled METHOD FOR OPERATING A POWERED ARTICULATING MULTI-CLIP APPLIER;
- U.S. Provisional Patent Application Serial No. 62/750,539, entitled SURGICAL CLIP APPLIER; and
- U.S. Provisional Patent Application Serial No. 62/750,555, entitled SURGICAL CLIP APPLIER.

[0068] Applicant of the present application owns the following U.S. Patent Applications that were filed on February 21, 2019 and which are each herein incorporated by reference in their respective entireties:

- U.S. Patent Application Serial No. 16/281,658, entitled METHODS FOR CONTROLLING A POWERED SURGICAL STAPLER THAT HAS SEPARATE ROTARY CLOSURE AND FIRING SYSTEMS;
- U.S. Patent Application Serial No. 16/281,670, entitled STAPLE CARTRIDGE COMPRISING A LOCKOUT KEY CONFIGURED TO LIFT A FIRING MEMBER;
- U.S. Patent Application Serial No. 16/281,675, entitled SURGICAL STAPLERS WITH ARRANGEMENTS FOR MAINTAINING A FIRING MEMBER THEREOF IN A LOCKED CONFIGURATION UNLESS A COMPATIBLE CARTRIDGE HAS BEEN INSTALLED THEREIN;
- U.S. Patent Application Serial No. 16/281,685, entitled SURGICAL INSTRUMENT COMPRISING CO-OPERATING LOCKOUT FEATURES;
- U.S. Patent Application Serial No. 16/281,693, entitled SURGICAL STAPLING ASSEMBLY COMPRISING A LOCKOUT AND AN EXTERIOR ACCESS ORIFICE TO PERMIT ARTIFICIAL UNLOCKING OF THE LOCKOUT;
- U.S. Patent Application Serial No. 16/281,704, entitled SURGICAL STAPLING DEVICES WITH FEATURES FOR BLOCKING ADVANCEMENT OF A CAMMING ASSEMBLY OF AN INCOMPATIBLE CARTRIDGE INSTALLED THEREIN;
- U.S. Patent Application Serial No. 16/281,707, entitled STAPLING INSTRUMENT COMPRISING A DEACTIVATABLE LOCKOUT;
- U.S. Patent Application Serial No. 16/281,741, entitled SURGICAL INSTRUMENT COMPRISING A JAW CLOSURE LOCKOUT;

- U.S. Patent Application Serial No. 16/281,762, entitled SURGICAL STAPLING DEVICES WITH CARTRIDGE COMPATIBLE CLOSURE AND FIRING LOCKOUT ARRANGEMENTS;
- U.S. Patent Application Serial No. 16/281,660, entitled SURGICAL STAPLE CARTRIDGE WITH FIRING MEMBER DRIVEN CAMMING ASSEMBLY THAT HAS AN ONBOARD TISSUE CUTTING FEATURE;
- U.S. Patent Application Serial No. 16/281,666, entitled SURGICAL STAPLING DEVICES WITH IMPROVED ROTARY DRIVEN CLOSURE SYSTEMS;
- U.S. Patent Application Serial No. 16/281,672, entitled SURGICAL STAPLING DEVICES WITH ASYMMETRIC CLOSURE FEATURES;
- U.S. Patent Application Serial No. 16/281,678, entitled ROTARY DRIVEN FIRING MEMBERS WITH DIFFERENT ANVIL AND CHANNEL ENGAGEMENT FEATURES; and
- U.S. Patent Application Serial No. 16/281,682, entitled SURGICAL STAPLING DEVICE WITH SEPARATE ROTARY DRIVEN CLOSURE AND FIRING SYSTEMS AND FIRING MEMBER THAT ENGAGES BOTH JAWS WHILE FIRING.

[0069] Applicant of the present application owns the following U.S. Provisional Patent Applications that were filed on February 19, 2019 and which are each herein incorporated by reference in their respective entireties:

- U.S. Provisional Patent Application Serial No. 62/807,310, entitled METHODS FOR CONTROLLING A POWERED SURGICAL STAPLER THAT HAS SEPARATE ROTARY CLOSURE AND FIRING SYSTEMS;
- U.S. Provisional Patent Application Serial No. 62/807,319, entitled SURGICAL STAPLING DEVICES WITH IMPROVED LOCKOUT SYSTEMS; and
- U.S. Provisional Patent Application Serial No. 62/807,309, entitled SURGICAL STAPLING DEVICES WITH IMPROVED ROTARY DRIVEN CLOSURE SYSTEMS.

[0070] Applicant of the present application owns the following U.S. Provisional Patent Applications, filed on March 28, 2018, each of which is herein incorporated by reference in its entirety:

- U.S. Provisional Patent Application Serial No. 62/649,302, entitled INTERACTIVE SURGICAL SYSTEMS WITH ENCRYPTED COMMUNICATION CAPABILITIES;
- U.S. Provisional Patent Application Serial No. 62/649,294, entitled DATA STRIPPING METHOD TO INTERROGATE PATIENT RECORDS AND CREATE ANONYMIZED RECORD;
- U.S. Provisional Patent Application Serial No. 62/649,300, entitled SURGICAL HUB SITUATIONAL AWARENESS;
- U.S. Provisional Patent Application Serial No. 62/649,309, entitled SURGICAL HUB SPATIAL AWARENESS TO DETERMINE DEVICES IN OPERATING THEATER;
- U.S. Provisional Patent Application Serial No. 62/649,310, entitled COMPUTER IMPLEMENTED INTERACTIVE SURGICAL SYSTEMS;
- U.S. Provisional Patent Application Serial No. 62/649,291, entitled USE OF LASER LIGHT AND RED-GREEN-BLUE COLORATION TO DETERMINE PROPERTIES OF BACK SCATTERED LIGHT;
- U.S. Provisional Patent Application Serial No. 62/649,296, entitled ADAPTIVE CONTROL PROGRAM UPDATES FOR SURGICAL DEVICES;
- U.S. Provisional Patent Application Serial No. 62/649,333, entitled CLOUD-BASED MEDICAL ANALYTICS FOR CUSTOMIZATION AND RECOMMENDATIONS TO A USER;
- U.S. Provisional Patent Application Serial No. 62/649,327, entitled CLOUD-BASED MEDICAL ANALYTICS FOR SECURITY AND AUTHENTICATION TRENDS AND REACTIVE MEASURES;
- U.S. Provisional Patent Application Serial No. 62/649,315, entitled DATA HANDLING AND PRIORITIZATION IN A CLOUD ANALYTICS NETWORK;
- U.S. Provisional Patent Application Serial No. 62/649,313, entitled CLOUD INTERFACE FOR COUPLED SURGICAL DEVICES;
- U.S. Provisional Patent Application Serial No. 62/649,320, entitled DRIVE ARRANGEMENTS FOR ROBOT-ASSISTED SURGICAL PLATFORMS;
- U.S. Provisional Patent Application Serial No. 62/649,307, entitled AUTOMATIC TOOL ADJUSTMENTS FOR ROBOT-ASSISTED SURGICAL PLATFORMS; and

- U.S. Provisional Patent Application Serial No. 62/649,323, entitled SENSING ARRANGEMENTS FOR ROBOT-ASSISTED SURGICAL PLATFORMS.

[0071] Applicant of the present application owns the following U.S. Provisional Patent Application, filed on March 30, 2018, which is herein incorporated by reference in its entirety:

- U.S. Provisional Patent Application Serial No. 62/650,887, entitled SURGICAL SYSTEMS WITH OPTIMIZED SENSING CAPABILITIES.

[0072] Applicant of the present application owns the following U.S. Patent Application, filed on December 4, 2018, which is herein incorporated by reference in its entirety:

- U.S. Patent Application Serial No. 16/209,423, entitled METHOD OF COMPRESSING TISSUE WITHIN A STAPLING DEVICE AND SIMULTANEOUSLY DISPLAYING THE LOCATION OF THE TISSUE WITHIN THE JAWS.

[0073] Applicant of the present application owns the following U.S. Patent Applications that were filed on August 20, 2018 and which are each herein incorporated by reference in their respective entireties:

- U.S. Patent Application Serial No. 16/105,101, entitled METHOD FOR FABRICATING SURGICAL STAPLER ANVILS;

- U.S. Patent Application Serial No. 16/105,183, entitled REINFORCED DEFORMABLE ANVIL TIP FOR SURGICAL STAPLER ANVIL;

- U.S. Patent Application Serial No. 16/105,150, entitled SURGICAL STAPLER ANVILS WITH STAPLE DIRECTING PROTRUSIONS AND TISSUE STABILITY FEATURES;

- U.S. Patent Application Serial No. 16/105,098, entitled FABRICATING TECHNIQUES FOR SURGICAL STAPLER ANVILS;

- U.S. Patent Application Serial No. 16/105,140, entitled SURGICAL STAPLER ANVILS WITH TISSUE STOP FEATURES CONFIGURED TO AVOID TISSUE PINCH;

- U.S. Patent Application Serial No. 16/105,081, entitled METHOD FOR OPERATING A POWERED ARTICULATABLE SURGICAL INSTRUMENT;

- U.S. Patent Application Serial No. 16/105,094, entitled SURGICAL INSTRUMENTS WITH PROGRESSIVE JAW CLOSURE ARRANGEMENTS;

- U.S. Patent Application Serial No. 16/105,097, entitled POWERED SURGICAL INSTRUMENTS WITH CLUTCHING ARRANGEMENTS TO CONVERT LINEAR DRIVE MOTIONS TO ROTARY DRIVE MOTIONS;
- U.S. Patent Application Serial No. 16/105,104, entitled POWERED ARTICULATABLE SURGICAL INSTRUMENTS WITH CLUTCHING AND LOCKING ARRANGEMENTS FOR LINKING AN ARTICULATION DRIVE SYSTEM TO A FIRING DRIVE SYSTEM;
- U.S. Patent Application Serial No. 16/105,119, entitled ARTICULATABLE MOTOR POWERED SURGICAL INSTRUMENTS WITH DEDICATED ARTICULATION MOTOR ARRANGEMENTS;
- U.S. Patent Application Serial No. 16/105,160, entitled SWITCHING ARRANGEMENTS FOR MOTOR POWERED ARTICULATABLE SURGICAL INSTRUMENTS; and
- U.S. Design Patent Application Serial No. 29/660,252, entitled SURGICAL STAPLER ANVILS.

[0074] Applicant of the present application owns the following U.S. Patent Applications and U.S. Patents that are each herein incorporated by reference in their respective entireties:

- U.S. Patent Application Serial No. 15/386,185, entitled SURGICAL STAPLING INSTRUMENTS AND REPLACEABLE TOOL ASSEMBLIES THEREOF, now U.S. Patent Application Publication No. 2018/0168642;
- U.S. Patent Application Serial No. 15/386,230, entitled ARTICULATABLE SURGICAL STAPLING INSTRUMENTS, now U.S. Patent Application Publication No. 2018/0168649;
- U.S. Patent Application Serial No. 15/386,221, entitled LOCKOUT ARRANGEMENTS FOR SURGICAL END EFFECTORS, now U.S. Patent Application Publication No. 2018/0168646;
- U.S. Patent Application Serial No. 15/386,209, entitled SURGICAL END EFFECTORS AND FIRING MEMBERS THEREOF, now U.S. Patent Application Publication No. 2018/0168645;

- U.S. Patent Application Serial No. 15/386,198, entitled LOCKOUT ARRANGEMENTS FOR SURGICAL END EFFECTORS AND REPLACEABLE TOOL ASSEMBLIES, now U.S. Patent Application Publication No. 2018/0168644;
- U.S. Patent Application Serial No. 15/386,240, entitled SURGICAL END EFFECTORS AND ADAPTABLE FIRING MEMBERS THEREFOR, now U.S. Patent Application Publication No. 2018/0168651;
- U.S. Patent Application Serial No. 15/385,939, entitled STAPLE CARTRIDGES AND ARRANGEMENTS OF STAPLES AND STAPLE CAVITIES THEREIN, now U.S. Patent Application Publication No. 2018/0168629;
- U.S. Patent Application Serial No. 15/385,941, entitled SURGICAL TOOL ASSEMBLIES WITH CLUTCHING ARRANGEMENTS FOR SHIFTING BETWEEN CLOSURE SYSTEMS WITH CLOSURE STROKE REDUCTION FEATURES AND ARTICULATION AND FIRING SYSTEMS, now U.S. Patent Application Publication No. 2018/0168630;
- U.S. Patent Application Serial No. 15/385,943, entitled SURGICAL STAPLING INSTRUMENTS AND STAPLE-FORMING ANVILS, now U.S. Patent Application Publication No. 2018/0168631;
- U.S. Patent Application Serial No. 15/385,950, entitled SURGICAL TOOL ASSEMBLIES WITH CLOSURE STROKE REDUCTION FEATURES, now U.S. Patent Application Publication No. 2018/0168635;
- U.S. Patent Application Serial No. 15/385,945, entitled STAPLE CARTRIDGES AND ARRANGEMENTS OF STAPLES AND STAPLE CAVITIES THEREIN, now U.S. Patent Application Publication No. 2018/0168632;
- U.S. Patent Application Serial No. 15/385,946, entitled SURGICAL STAPLING INSTRUMENTS AND STAPLE-FORMING ANVILS, now U.S. Patent Application Publication No. 2018/0168633;
- U.S. Patent Application Serial No. 15/385,951, entitled SURGICAL INSTRUMENTS WITH JAW OPENING FEATURES FOR INCREASING A JAW OPENING DISTANCE, now U.S. Patent Application Publication No. 2018/0168636;
- U.S. Patent Application Serial No. 15/385,953, entitled METHODS OF STAPLING TISSUE, now U.S. Patent Application Publication No. 2018/0168637;

- U.S. Patent Application Serial No. 15/385,954, entitled FIRING MEMBERS WITH NON-PARALLEL JAW ENGAGEMENT FEATURES FOR SURGICAL END EFFECTORS, now U.S. Patent Application Publication No. 2018/0168638;
- U.S. Patent Application Serial No. 15/385,955, entitled SURGICAL END EFFECTORS WITH EXPANDABLE TISSUE STOP ARRANGEMENTS, now U.S. Patent Application Publication No. 2018/0168639;
- U.S. Patent Application Serial No. 15/385,948, entitled SURGICAL STAPLING INSTRUMENTS AND STAPLE-FORMING ANVILS, now U.S. Patent Application Publication No. 2018/0168584;
- U.S. Patent Application Serial No. 15/385,956, entitled SURGICAL INSTRUMENTS WITH POSITIVE JAW OPENING FEATURES, now U.S. Patent Application Publication No. 2018/0168640;
- U.S. Patent Application Serial No. 15/385,958, entitled SURGICAL INSTRUMENTS WITH LOCKOUT ARRANGEMENTS FOR PREVENTING FIRING SYSTEM ACTUATION UNLESS AN UNSPENT STAPLE CARTRIDGE IS PRESENT, now U.S. Patent Application Publication No. 2018/0168641;
- U.S. Patent Application Serial No. 15/385,947, entitled STAPLE CARTRIDGES AND ARRANGEMENTS OF STAPLES AND STAPLE CAVITIES THEREIN, now U.S. Patent Application Publication No. 2018/0168634;
- U.S. Patent Application Serial No. 15/385,896, entitled METHOD FOR RESETTING A FUSE OF A SURGICAL INSTRUMENT SHAFT, now U.S. Patent Application Publication No. 2018/0168597;
- U.S. Patent Application Serial No. 15/385,898, entitled STAPLE-FORMING POCKET ARRANGEMENT TO ACCOMMODATE DIFFERENT TYPES OF STAPLES, now U.S. Patent Application Publication No. 2018/0168599;
- U.S. Patent Application Serial No. 15/385,899, entitled SURGICAL INSTRUMENT COMPRISING IMPROVED JAW CONTROL, now U.S. Patent Application Publication No. 2018/0168600;
- U.S. Patent Application Serial No. 15/385,901, entitled STAPLE CARTRIDGE AND STAPLE CARTRIDGE CHANNEL COMPRISING WINDOWS DEFINED THEREIN, now U.S. Patent Application Publication No. 2018/0168602;

- U.S. Patent Application Serial No. 15/385,902, entitled SURGICAL INSTRUMENT COMPRISING A CUTTING MEMBER, now U.S. Patent Application Publication No. 2018/0168603;
- U.S. Patent Application Serial No. 15/385,904, entitled STAPLE FIRING MEMBER COMPRISING A MISSING CARTRIDGE AND/OR SPENT CARTRIDGE LOCKOUT, now U.S. Patent Application Publication No. 2018/0168605;
- U.S. Patent Application Serial No. 15/385,905, entitled FIRING ASSEMBLY COMPRISING A LOCKOUT, now U.S. Patent Application Publication No. 2018/0168606;
- U.S. Patent Application Serial No. 15/385,907, entitled SURGICAL INSTRUMENT SYSTEM COMPRISING AN END EFFECTOR LOCKOUT AND A FIRING ASSEMBLY LOCKOUT, now U.S. Patent Application Publication No. 2018/0168608;
- U.S. Patent Application Serial No. 15/385,908, entitled FIRING ASSEMBLY COMPRISING A FUSE, now U.S. Patent Application Publication No. 2018/0168609;
- U.S. Patent Application Serial No. 15/385,909, entitled FIRING ASSEMBLY COMPRISING A MULTIPLE FAILED-STATE FUSE, now U.S. Patent Application Publication No. 2018/0168610;
- U.S. Patent Application Serial No. 15/385,920, entitled STAPLE-FORMING POCKET ARRANGEMENTS, now U.S. Patent Application Publication No. 2018/0168620;
- U.S. Patent Application Serial No. 15/385,913, entitled ANVIL ARRANGEMENTS FOR SURGICAL STAPLERS, now U.S. Patent Application Publication No. 2018/0168614;
- U.S. Patent Application Serial No. 15/385,914, entitled METHOD OF DEFORMING STAPLES FROM TWO DIFFERENT TYPES OF STAPLE CARTRIDGES WITH THE SAME SURGICAL STAPLING INSTRUMENT, now U.S. Patent Application Publication No. 2018/0168615;
- U.S. Patent Application Serial No. 15/385,893, entitled BILATERALLY ASYMMETRIC STAPLE-FORMING POCKET PAIRS, now U.S. Patent Application Publication No. 2018/0168594;

- U.S. Patent Application Serial No. 15/385,929, entitled CLOSURE MEMBERS WITH CAM SURFACE ARRANGEMENTS FOR SURGICAL INSTRUMENTS WITH SEPARATE AND DISTINCT CLOSURE AND FIRING SYSTEMS, now U.S. Patent Application Publication No. 2018/0168626;
- U.S. Patent Application Serial No. 15/385,911, entitled SURGICAL STAPLERS WITH INDEPENDENTLY ACTUATABLE CLOSING AND FIRING SYSTEMS, now U.S. Patent Application Publication No. 2018/0168612;
- U.S. Patent Application Serial No. 15/385,927, entitled SURGICAL STAPLING INSTRUMENTS WITH SMART STAPLE CARTRIDGES, now U.S. Patent Application Publication No. 2018/0168625;
- U.S. Patent Application Serial No. 15/385,917, entitled STAPLE CARTRIDGE COMPRISING STAPLES WITH DIFFERENT CLAMPING BREADTHS, now U.S. Patent Application Publication No. 2018/0168617;
- U.S. Patent Application Serial No. 15/385,900, entitled STAPLE-FORMING POCKET ARRANGEMENTS COMPRISING PRIMARY SIDEWALLS AND POCKET SIDEWALLS, now U.S. Patent Application Publication No. 2018/0168601;
- U.S. Patent Application Serial No. 15/385,931, entitled NO-CARTRIDGE AND SPENT CARTRIDGE LOCKOUT ARRANGEMENTS FOR SURGICAL STAPLERS, now U.S. Patent Application Publication No. 2018/0168627;
- U.S. Patent Application Serial No. 15/385,915, entitled FIRING MEMBER PIN ANGLE, now U.S. Patent Application Publication No. 2018/0168616;
- U.S. Patent Application Serial No. 15/385,897, entitled STAPLE-FORMING POCKET ARRANGEMENTS COMPRISING ZONED FORMING SURFACE GROOVES, now U.S. Patent Application Publication No. 2018/0168598;
- U.S. Patent Application Serial No. 15/385,922, entitled SURGICAL INSTRUMENT WITH MULTIPLE FAILURE RESPONSE MODES, now U.S. Patent Application Publication No. 2018/0168622;
- U.S. Patent Application Serial No. 15/385,924, entitled SURGICAL INSTRUMENT WITH PRIMARY AND SAFETY PROCESSORS, now U.S. Patent Application Publication No. 2018/0168624;

- U.S. Patent Application Serial No. 15/385,910, entitled ANVIL HAVING A KNIFE SLOT WIDTH, now U.S. Patent Application Publication No. 2018/0168611;
- U.S. Patent Application Serial No. 15/385,903, entitled CLOSURE MEMBER ARRANGEMENTS FOR SURGICAL INSTRUMENTS, now U.S. Patent Application Publication No. 2018/0168604;
- U.S. Patent Application Serial No. 15/385,906, entitled FIRING MEMBER PIN CONFIGURATIONS, now U.S. Patent Application Publication No. 2018/0168607;
- U.S. Patent Application Serial No. 15/386,188, entitled STEPPED STAPLE CARTRIDGE WITH ASYMMETRICAL STAPLES, now U.S. Patent Application Publication No. 2018/0168585;
- U.S. Patent Application Serial No. 15/386,192, entitled STEPPED STAPLE CARTRIDGE WITH TISSUE RETENTION AND GAP SETTING FEATURES, now U.S. Patent Application Publication No. 2018/0168643;
- U.S. Patent Application Serial No. 15/386,206, entitled STAPLE CARTRIDGE WITH DEFORMABLE DRIVER RETENTION FEATURES, now U.S. Patent Application Publication No. 2018/0168586;
- U.S. Patent Application Serial No. 15/386,226, entitled DURABILITY FEATURES FOR END EFFECTORS AND FIRING ASSEMBLIES OF SURGICAL STAPLING INSTRUMENTS, now U.S. Patent Application Publication No. 2018/0168648;
- U.S. Patent Application Serial No. 15/386,222, entitled SURGICAL STAPLING INSTRUMENTS HAVING END EFFECTORS WITH POSITIVE OPENING FEATURES, now U.S. Patent Application Publication No. 2018/0168647;
- U.S. Patent Application Serial No. 15/386,236, entitled CONNECTION PORTIONS FOR DEPOSABLE LOADING UNITS FOR SURGICAL STAPLING INSTRUMENTS, now U.S. Patent Application Publication No. 2018/0168650;
- U.S. Patent Application Serial No. 15/385,887, entitled METHOD FOR ATTACHING A SHAFT ASSEMBLY TO A SURGICAL INSTRUMENT AND, ALTERNATIVELY, TO A SURGICAL ROBOT, now U.S. Patent Application Publication No. 2018/0168589;
- U.S. Patent Application Serial No. 15/385,889, entitled SHAFT ASSEMBLY COMPRISING A MANUALLY-OPERABLE RETRACTION SYSTEM FOR USE WITH A

MOTORIZED SURGICAL INSTRUMENT SYSTEM, now U.S. Patent Application Publication No. 2018/0168590;

- U.S. Patent Application Serial No. 15/385,890, entitled SHAFT ASSEMBLY COMPRISING SEPARATELY ACTUATABLE AND RETRACTABLE SYSTEMS, now U.S. Patent Application Publication No. 2018/0168591;
- U.S. Patent Application Serial No. 15/385,891, entitled SHAFT ASSEMBLY COMPRISING A CLUTCH CONFIGURED TO ADAPT THE OUTPUT OF A ROTARY FIRING MEMBER TO TWO DIFFERENT SYSTEMS, now U.S. Patent Application Publication No. 2018/0168592;
- U.S. Patent Application Serial No. 15/385,892, entitled SURGICAL SYSTEM COMPRISING A FIRING MEMBER ROTATABLE INTO AN ARTICULATION STATE TO ARTICULATE AN END EFFECTOR OF THE SURGICAL SYSTEM, now U.S. Patent Application Publication No. 2018/0168593;
- U.S. Patent Application Serial No. 15/385,894, entitled SHAFT ASSEMBLY COMPRISING A LOCKOUT, now U.S. Patent Application Publication No. 2018/0168595;
- U.S. Patent Application Serial No. 15/385,895, entitled SHAFT ASSEMBLY COMPRISING FIRST AND SECOND ARTICULATION LOCKOUTS, now U.S. Patent Application Publication No. 2018/0168596;
- U.S. Patent Application Serial No. 15/385,916, entitled SURGICAL STAPLING SYSTEMS, now U.S. Patent Application Publication No. 2018/0168575;
- U.S. Patent Application Serial No. 15/385,918, entitled SURGICAL STAPLING SYSTEMS, now U.S. Patent Application Publication No. 2018/0168618;
- U.S. Patent Application Serial No. 15/385,919, entitled SURGICAL STAPLING SYSTEMS, now U.S. Patent Application Publication No. 2018/0168619;
- U.S. Patent Application Serial No. 15/385,921, entitled SURGICAL STAPLE CARTRIDGE WITH MOVABLE CAMMING MEMBER CONFIGURED TO DISENGAGE FIRING MEMBER LOCKOUT FEATURES, now U.S. Patent Application Publication No. 2018/0168621;
- U.S. Patent Application Serial No. 15/385,923, entitled SURGICAL STAPLING SYSTEMS, now U.S. Patent Application Publication No. 2018/0168623;

- U.S. Patent Application Serial No. 15/385,925, entitled JAW ACTUATED LOCK ARRANGEMENTS FOR PREVENTING ADVANCEMENT OF A FIRING MEMBER IN A SURGICAL END EFFECTOR UNLESS AN UNFIRED CARTRIDGE IS INSTALLED IN THE END EFFECTOR, now U.S. Patent Application Publication No. 2018/0168576;
- U.S. Patent Application Serial No. 15/385,926, entitled AXIALLY MOVABLE CLOSURE SYSTEM ARRANGEMENTS FOR APPLYING CLOSURE MOTIONS TO JAWS OF SURGICAL INSTRUMENTS, now U.S. Patent Application Publication No. 2018/0168577;
- U.S. Patent Application Serial No. 15/385,928, entitled PROTECTIVE COVER ARRANGEMENTS FOR A JOINT INTERFACE BETWEEN A MOVABLE JAW AND ACTUATOR SHAFT OF A SURGICAL INSTRUMENT, now U.S. Patent Application Publication No. 2018/0168578;
- U.S. Patent Application Serial No. 15/385,930, entitled SURGICAL END EFFECTOR WITH TWO SEPARATE COOPERATING OPENING FEATURES FOR OPENING AND CLOSING END EFFECTOR JAWS, now U.S. Patent Application Publication No. 2018/0168579;
- U.S. Patent Application Serial No. 15/385,932, entitled ARTICULATABLE SURGICAL END EFFECTOR WITH ASYMMETRIC SHAFT ARRANGEMENT, now U.S. Patent Application Publication No. 2018/0168628;
- U.S. Patent Application Serial No. 15/385,933, entitled ARTICULATABLE SURGICAL INSTRUMENT WITH INDEPENDENT PIVOTABLE LINKAGE DISTAL OF AN ARTICULATION LOCK, now U.S. Patent Application Publication No. 2018/0168580;
- U.S. Patent Application Serial No. 15/385,934, entitled ARTICULATION LOCK ARRANGEMENTS FOR LOCKING AN END EFFECTOR IN AN ARTICULATED POSITION IN RESPONSE TO ACTUATION OF A JAW CLOSURE SYSTEM, now U.S. Patent Application Publication No. 2018/0168581;
- U.S. Patent Application Serial No. 15/385,935, entitled LATERALLY ACTUATABLE ARTICULATION LOCK ARRANGEMENTS FOR LOCKING AN END EFFECTOR OF A SURGICAL INSTRUMENT IN AN ARTICULATED CONFIGURATION, now U.S. Patent Application Publication No. 2018/0168582;

- U.S. Patent Application Serial No. 15/385,936, entitled ARTICULATABLE SURGICAL INSTRUMENTS WITH ARTICULATION STROKE AMPLIFICATION FEATURES, now U.S. Patent Application Publication No. 2018/0168583;
- U.S. Patent Application Serial No. 14/318,996, entitled FASTENER CARTRIDGES INCLUDING EXTENSIONS HAVING DIFFERENT CONFIGURATIONS, now U.S. Patent Application Publication No. 2015/0297228;
- U.S. Patent Application Serial No. 14/319,006, entitled FASTENER CARTRIDGE COMPRISING FASTENER CAVITIES INCLUDING FASTENER CONTROL FEATURES, now U.S. Patent No. 10,010,324;
- U.S. Patent Application Serial No. 14/318,991, entitled SURGICAL FASTENER CARTRIDGES WITH DRIVER STABILIZING ARRANGEMENTS, now U.S. Patent No. 9,833,241;
- U.S. Patent Application Serial No. 14/319,004, entitled SURGICAL END EFFECTORS WITH FIRING ELEMENT MONITORING ARRANGEMENTS, now U.S. Patent No. 9,844,369;
- U.S. Patent Application Serial No. 14/319,008, entitled FASTENER CARTRIDGE COMPRISING NON-UNIFORM FASTENERS, now U.S. Patent Application Publication No. 2015/0297232;
- U.S. Patent Application Serial No. 14/318,997, entitled FASTENER CARTRIDGE COMPRISING DEPLOYABLE TISSUE ENGAGING MEMBERS, now U.S. Patent Application Publication No. 2015/0297229;
- U.S. Patent Application Serial No. 14/319,002, entitled FASTENER CARTRIDGE COMPRISING TISSUE CONTROL FEATURES, now U.S. Patent No. 9,877,721;
- U.S. Patent Application Serial No. 14/319,013, entitled FASTENER CARTRIDGE ASSEMBLIES AND STAPLE RETAINER COVER ARRANGEMENTS, now U.S. Patent Application Publication No. 2015/0297233; and
- U.S. Patent Application Serial No. 14/319,016, entitled FASTENER CARTRIDGE INCLUDING A LAYER ATTACHED THERETO, now U.S. Patent Application Publication No. 2015/0297235.

[0075] Applicant of the present application owns the following U.S. Patent Applications that were filed on June 24, 2016 and which are each herein incorporated by reference in their respective entireties:

- U.S. Patent Application Serial No. 15/191,775, entitled STAPLE CARTRIDGE COMPRISING WIRE STAPLES AND STAMPED STAPLES, now U.S. Patent Application Publication No. 2017/0367695;
- U.S. Patent Application Serial No. 15/191,807, entitled STAPLING SYSTEM FOR USE WITH WIRE STAPLES AND STAMPED STAPLES, now U.S. Patent Application Publication No. 2017/0367696;
- U.S. Patent Application Serial No. 15/191,834, entitled STAMPED STAPLES AND STAPLE CARTRIDGES USING THE SAME, now U.S. Patent Application Publication No. 2017/0367699;
- U.S. Patent Application Serial No. 15/191,788, entitled STAPLE CARTRIDGE COMPRISING OVERDRIVEN STAPLES, now U.S. Patent Application Publication No. 2017/0367698; and
- U.S. Patent Application Serial No. 15/191,818, entitled STAPLE CARTRIDGE COMPRISING OFFSET LONGITUDINAL STAPLE ROWS, now U.S. Patent Application Publication No. 2017/0367697.

[0076] Applicant of the present application owns the following U.S. Patent Applications that were filed on June 24, 2016 and which are each herein incorporated by reference in their respective entireties:

- U.S. Design Patent Application Serial No. 29/569,218, entitled SURGICAL FASTENER, now U.S. Design Patent No. D826,405;
- U.S. Design Patent Application Serial No. 29/569,227, entitled SURGICAL FASTENER, now U.S. Design Patent No. D822,206;
- U.S. Design Patent Application Serial No. 29/569,259, entitled SURGICAL FASTENER CARTRIDGE; and
- U.S. Design Patent Application Serial No. 29/569,264, entitled SURGICAL FASTENER CARTRIDGE.

[0077] Applicant of the present application owns the following patent applications that were filed on April 1, 2016 and which are each herein incorporated by reference in their respective entirety:

- U.S. Patent Application Serial No. 15/089,325, entitled METHOD FOR OPERATING A SURGICAL STAPLING SYSTEM, now U.S. Patent Application Publication No. 2017/0281171;
- U.S. Patent Application Serial No. 15/089,321, entitled MODULAR SURGICAL STAPLING SYSTEM COMPRISING A DISPLAY, now U.S. Patent Application Publication No. 2017/0281163;
- U.S. Patent Application Serial No. 15/089,326, entitled SURGICAL STAPLING SYSTEM COMPRISING A DISPLAY INCLUDING A RE-ORIENTABLE DISPLAY FIELD, now U.S. Patent Application Publication No. 2017/0281172;
- U.S. Patent Application Serial No. 15/089,263, entitled SURGICAL INSTRUMENT HANDLE ASSEMBLY WITH RECONFIGURABLE GRIP PORTION, now U.S. Patent Application Publication No. 2017/0281165;
- U.S. Patent Application Serial No. 15/089,262, entitled ROTARY POWERED SURGICAL INSTRUMENT WITH MANUALLY ACTUATABLE BAILOUT SYSTEM, now U.S. Patent Application Publication No. 2017/0281161;
- U.S. Patent Application Serial No. 15/089,277, entitled SURGICAL CUTTING AND STAPLING END EFFECTOR WITH ANVIL CONCENTRIC DRIVE MEMBER, now U.S. Patent Application Publication No. 2017/0281166;
- U.S. Patent Application Serial No. 15/089,296, entitled INTERCHANGEABLE SURGICAL TOOL ASSEMBLY WITH A SURGICAL END EFFECTOR THAT IS SELECTIVELY ROTATABLE ABOUT A SHAFT AXIS, now U.S. Patent Application Publication No. 2017/0281168;
- U.S. Patent Application Serial No. 15/089,258, entitled SURGICAL STAPLING SYSTEM COMPRISING A SHIFTABLE TRANSMISSION, now U.S. Patent Application Publication No. 2017/0281178;
- U.S. Patent Application Serial No. 15/089,278, entitled SURGICAL STAPLING SYSTEM CONFIGURED TO PROVIDE SELECTIVE CUTTING OF TISSUE, now U.S. Patent Application Publication No. 2017/0281162;

- U.S. Patent Application Serial No. 15/089,284, entitled SURGICAL STAPLING SYSTEM COMPRISING A CONTOURABLE SHAFT, now U.S. Patent Application Publication No. 2017/0281186;
- U.S. Patent Application Serial No. 15/089,295, entitled SURGICAL STAPLING SYSTEM COMPRISING A TISSUE COMPRESSION LOCKOUT, now U.S. Patent Application Publication No. 2017/0281187;
- U.S. Patent Application Serial No. 15/089,300, entitled SURGICAL STAPLING SYSTEM COMPRISING AN UNCLAMPING LOCKOUT, now U.S. Patent Application Publication No. 2017/0281179;
- U.S. Patent Application Serial No. 15/089,196, entitled SURGICAL STAPLING SYSTEM COMPRISING A JAW CLOSURE LOCKOUT, now U.S. Patent Application Publication No. 2017/0281183;
- U.S. Patent Application Serial No. 15/089,203, entitled SURGICAL STAPLING SYSTEM COMPRISING A JAW ATTACHMENT LOCKOUT, now U.S. Patent Application Publication No. 2017/0281184;
- U.S. Patent Application Serial No. 15/089,210, entitled SURGICAL STAPLING SYSTEM COMPRISING A SPENT CARTRIDGE LOCKOUT, now U.S. Patent Application Publication No. 2017/0281185;
- U.S. Patent Application Serial No. 15/089,324, entitled SURGICAL INSTRUMENT COMPRISING A SHIFTING MECHANISM, now U.S. Patent Application Publication No. 2017/0281170;
- U.S. Patent Application Serial No. 15/089,335, entitled SURGICAL STAPLING INSTRUMENT COMPRISING MULTIPLE LOCKOUTS, now U.S. Patent Application Publication No. 2017/0281155;
- U.S. Patent Application Serial No. 15/089,339, entitled SURGICAL STAPLING INSTRUMENT, now U.S. Patent Application Publication No. 2017/0281173;
- U.S. Patent Application Serial No. 15/089,253, entitled SURGICAL STAPLING SYSTEM CONFIGURED TO APPLY ANNULAR ROWS OF STAPLES HAVING DIFFERENT HEIGHTS, now U.S. Patent Application Publication No. 2017/0281177;

- U.S. Patent Application Serial No. 15/089,304, entitled SURGICAL STAPLING SYSTEM COMPRISING A GROOVED FORMING POCKET, now U.S. Patent Application Publication No. 2017/0281188;
- U.S. Patent Application Serial No. 15/089,331, entitled ANVIL MODIFICATION MEMBERS FOR SURGICAL STAPLERS, now U.S. Patent Application Publication No. 2017/0281180;
- U.S. Patent Application Serial No. 15/089,336, entitled STAPLE CARTRIDGES WITH ATRAUMATIC FEATURES, now U.S. Patent Application Publication No. 2017/0281164;
- U.S. Patent Application Serial No. 15/089,312, entitled CIRCULAR STAPLING SYSTEM COMPRISING AN INCISABLE TISSUE SUPPORT, now U.S. Patent Application Publication No. 2017/0281189;
- U.S. Patent Application Serial No. 15/089,309, entitled CIRCULAR STAPLING SYSTEM COMPRISING ROTARY FIRING SYSTEM, now U.S. Patent Application Publication No. 2017/0281169; and
- U.S. Patent Application Serial No. 15/089,349, entitled CIRCULAR STAPLING SYSTEM COMPRISING LOAD CONTROL, now U.S. Patent Application Publication No. 2017/0281174.

[0078] Applicant of the present application also owns the U.S. Patent Applications identified below which were filed on December 31, 2015 which are each herein incorporated by reference in their respective entirety:

- U.S. Patent Application Serial No. 14/984,488, entitled MECHANISMS FOR COMPENSATING FOR BATTERY PACK FAILURE IN POWERED SURGICAL INSTRUMENTS, now U.S. Patent Application Publication No. 2017/0189018;
- U.S. Patent Application Serial No. 14/984,525, entitled MECHANISMS FOR COMPENSATING FOR DRIVETRAIN FAILURE IN POWERED SURGICAL INSTRUMENTS, now U.S. Patent Application Publication No. 2017/0189019; and
- U.S. Patent Application Serial No. 14/984,552, entitled SURGICAL INSTRUMENTS WITH SEPARABLE MOTORS AND MOTOR CONTROL CIRCUITS, now U.S. Patent Application Publication No. 2017/0189020.

[0079] Applicant of the present application also owns the U.S. Patent Applications identified below which were filed on February 9, 2016 which are each herein incorporated by reference in their respective entirety:

- U.S. Patent Application Serial No. 15/019,220, entitled SURGICAL INSTRUMENT WITH ARTICULATING AND AXIALLY TRANSLATABLE END EFFECTOR, now U.S. Patent Application Publication No. 2017/0224333;
- U.S. Patent Application Serial No. 15/019,228, entitled SURGICAL INSTRUMENTS WITH MULTIPLE LINK ARTICULATION ARRANGEMENTS, now U.S. Patent Application Publication No. 2017/0224342;
- U.S. Patent Application Serial No. 15/019,196, entitled SURGICAL INSTRUMENT ARTICULATION MECHANISM WITH SLOTTED SECONDARY CONSTRAINT, now U.S. Patent Application Publication No. 2017/0224330;
- U.S. Patent Application Serial No. 15/019,206, entitled SURGICAL INSTRUMENTS WITH AN END EFFECTOR THAT IS HIGHLY ARTICULATABLE RELATIVE TO AN ELONGATE SHAFT ASSEMBLY, now U.S. Patent Application Publication No. 2017/0224331;
- U.S. Patent Application Serial No. 15/019,215, entitled SURGICAL INSTRUMENTS WITH NON-SYMMETRICAL ARTICULATION ARRANGEMENTS, now U.S. Patent Application Publication No. 2017/0224332;
- U.S. Patent Application Serial No. 15/019,227, entitled ARTICULATABLE SURGICAL INSTRUMENTS WITH SINGLE ARTICULATION LINK ARRANGEMENTS, now U.S. Patent Application Publication No. 2017/0224334;
- U.S. Patent Application Serial No. 15/019,235, entitled SURGICAL INSTRUMENTS WITH TENSIONING ARRANGEMENTS FOR CABLE DRIVEN ARTICULATION SYSTEMS, now U.S. Patent Application Publication No. 2017/0224336;
- U.S. Patent Application Serial No. 15/019,230, entitled ARTICULATABLE SURGICAL INSTRUMENTS WITH OFF-AXIS FIRING BEAM ARRANGEMENTS, now U.S. Patent Application Publication No. 2017/0224335; and

- U.S. Patent Application Serial No. 15/019,245, entitled SURGICAL INSTRUMENTS WITH CLOSURE STROKE REDUCTION ARRANGEMENTS, now U.S. Patent Application Publication No. 2017/0224343.

[0080] Applicant of the present application also owns the U.S. Patent Applications identified below which were filed on February 12, 2016 which are each herein incorporated by reference in their respective entirety:

- U.S. Patent Application Serial No. 15/043,254, entitled MECHANISMS FOR COMPENSATING FOR DRIVETRAIN FAILURE IN POWERED SURGICAL INSTRUMENTS, now U.S. Patent Application Publication No. 2017/0231623;
- U.S. Patent Application Serial No. 15/043,259, entitled MECHANISMS FOR COMPENSATING FOR DRIVETRAIN FAILURE IN POWERED SURGICAL INSTRUMENTS, now U.S. Patent Application Publication No. 2017/0231626;
- U.S. Patent Application Serial No. 15/043,275, entitled MECHANISMS FOR COMPENSATING FOR DRIVETRAIN FAILURE IN POWERED SURGICAL INSTRUMENTS, now U.S. Patent Application Publication No. 2017/0231627; and
- U.S. Patent Application Serial No. 15/043,289, entitled MECHANISMS FOR COMPENSATING FOR DRIVETRAIN FAILURE IN POWERED SURGICAL INSTRUMENTS, now U.S. Patent Application Publication No. 2017/0231628.

[0081] Applicant of the present application owns the following patent applications that were filed on June 18, 2015 and which are each herein incorporated by reference in their respective entirety:

- U.S. Patent Application Serial No. 14/742,925, entitled SURGICAL END EFFECTORS WITH POSITIVE JAW OPENING ARRANGEMENTS, now U.S. Patent Application Publication No. 2016/0367256;
- U.S. Patent Application Serial No. 14/742,941, entitled SURGICAL END EFFECTORS WITH DUAL CAM ACTUATED JAW CLOSING FEATURES, now U.S. Patent No. 10,052,102;
- U.S. Patent Application Serial No. 14/742,914, entitled MOVABLE FIRING BEAM SUPPORT ARRANGEMENTS FOR ARTICULATABLE SURGICAL INSTRUMENTS, now U.S. Patent Application Publication No. 2016/0367255;

- U.S. Patent Application Serial No. 14/742,900, entitled ARTICULATABLE SURGICAL INSTRUMENTS WITH COMPOSITE FIRING BEAM STRUCTURES WITH CENTER FIRING SUPPORT MEMBER FOR ARTICULATION SUPPORT, now U.S. Patent Application Publication No. 2016/0367254;
- U.S. Patent Application Serial No. 14/742,885, entitled DUAL ARTICULATION DRIVE SYSTEM ARRANGEMENTS FOR ARTICULATABLE SURGICAL INSTRUMENTS, now U.S. Patent Application Publication No. 2016/0367246; and
- U.S. Patent Application Serial No. 14/742,876, entitled PUSH/PULL ARTICULATION DRIVE SYSTEMS FOR ARTICULATABLE SURGICAL INSTRUMENTS, now U.S. Patent No. 10,178,992.

[0082] Applicant of the present application owns the following patent applications that were filed on March 6, 2015 and which are each herein incorporated by reference in their respective entirety:

- U.S. Patent Application Serial No. 14/640,746, entitled POWERED SURGICAL INSTRUMENT, now U.S. Patent No. 9,808,246;
- U.S. Patent Application Serial No. 14/640,795, entitled MULTIPLE LEVEL THRESHOLDS TO MODIFY OPERATION OF POWERED SURGICAL INSTRUMENTS, now U.S. Patent Application Publication No. 2016/02561185;
- U.S. Patent Application Serial No. 14/640,832, entitled ADAPTIVE TISSUE COMPRESSION TECHNIQUES TO ADJUST CLOSURE RATES FOR MULTIPLE TISSUE TYPES, now U.S. Patent Application Publication No. 2016/0256154;
- U.S. Patent Application Serial No. 14/640,935, entitled OVERLAID MULTI SENSOR RADIO FREQUENCY (RF) ELECTRODE SYSTEM TO MEASURE TISSUE COMPRESSION, now U.S. Patent Application Publication No. 2016/0256071;
- U.S. Patent Application Serial No. 14/640,831, entitled MONITORING SPEED CONTROL AND PRECISION INCREMENTING OF MOTOR FOR POWERED SURGICAL INSTRUMENTS, now U.S. Patent No. 9,895,148;
- U.S. Patent Application Serial No. 14/640,859, entitled TIME DEPENDENT EVALUATION OF SENSOR DATA TO DETERMINE STABILITY, CREEP, AND VISCOELASTIC ELEMENTS OF MEASURES, now U.S. Patent No. 10,052,044;

- U.S. Patent Application Serial No. 14/640,817, entitled INTERACTIVE FEEDBACK SYSTEM FOR POWERED SURGICAL INSTRUMENTS, now U.S. Patent No. 9,924,961;
- U.S. Patent Application Serial No. 14/640,844, entitled CONTROL TECHNIQUES AND SUB-PROCESSOR CONTAINED WITHIN MODULAR SHAFT WITH SELECT CONTROL PROCESSING FROM HANDLE, now U.S. Patent No. 10,045,776;
- U.S. Patent Application Serial No. 14/640,837, entitled SMART SENSORS WITH LOCAL SIGNAL PROCESSING, now U.S. Patent No. 9,993,248;
- U.S. Patent Application Serial No. 14/640,765, entitled SYSTEM FOR DETECTING THE MIS-INSERTION OF A STAPLE CARTRIDGE INTO A SURGICAL STAPLER, now U.S. Patent Application Publication No. 2016/0256160;
- U.S. Patent Application Serial No. 14/640,799, entitled SIGNAL AND POWER COMMUNICATION SYSTEM POSITIONED ON A ROTATABLE SHAFT, now U.S. Patent No. 9,901,342; and
- U.S. Patent Application Serial No. 14/640,780, entitled SURGICAL INSTRUMENT COMPRISING A LOCKABLE BATTERY HOUSING, now U.S. Patent Application Publication No. 2016/0256161.

[0083] Applicant of the present application owns the following patent applications that were filed on February 27, 2015, and which are each herein incorporated by reference in their respective entirety:

- U.S. Patent Application Serial No. 14/633,576, entitled SURGICAL INSTRUMENT SYSTEM COMPRISING AN INSPECTION STATION, now U.S. Patent No. 10,045,779;
- U.S. Patent Application Serial No. 14/633,546, entitled SURGICAL APPARATUS CONFIGURED TO ASSESS WHETHER A PERFORMANCE PARAMETER OF THE SURGICAL APPARATUS IS WITHIN AN ACCEPTABLE PERFORMANCE BAND, now U.S. Patent No. 10,180,463;
- U.S. Patent Application Serial No. 14/633,560, entitled SURGICAL CHARGING SYSTEM THAT CHARGES AND/OR CONDITIONS ONE OR MORE BATTERIES, now U.S. Patent Application Publication No. 2016/0249910;

- U.S. Patent Application Serial No. 14/633,566, entitled CHARGING SYSTEM THAT ENABLES EMERGENCY RESOLUTIONS FOR CHARGING A BATTERY, now U.S. Patent Application Publication No. 2016/0249918;
- U.S. Patent Application Serial No. 14/633,555, entitled SYSTEM FOR MONITORING WHETHER A SURGICAL INSTRUMENT NEEDS TO BE SERVICED, now U.S. Patent Application Publication No. 2016/0249916;
- U.S. Patent Application Serial No. 14/633,542, entitled REINFORCED BATTERY FOR A SURGICAL INSTRUMENT, now U.S. Patent No. 9,931,118;
- U.S. Patent Application Serial No. 14/633,548, entitled POWER ADAPTER FOR A SURGICAL INSTRUMENT, now U.S. Patent Application Publication No. 2016/0249909;
- U.S. Patent Application Serial No. 14/633,526, entitled ADAPTABLE SURGICAL INSTRUMENT HANDLE, now U.S. Patent Application Publication No. 2016/0249945;
- U.S. Patent Application Serial No. 14/633,541, entitled MODULAR STAPLING ASSEMBLY, now U.S. Patent Application No. 9,993,258; and
- U.S. Patent Application Serial No. 14/633,562, entitled SURGICAL APPARATUS CONFIGURED TO TRACK AN END-OF-LIFE PARAMETER, now U.S. Patent No. 10,159,483.

[0084] Applicant of the present application owns the following patent applications that were filed on December 18, 2014 and which are each herein incorporated by reference in their respective entirety:

- U.S. Patent Application Serial No. 14/574,478, entitled SURGICAL INSTRUMENT SYSTEMS COMPRISING AN ARTICULATABLE END EFFECTOR AND MEANS FOR ADJUSTING THE FIRING STROKE OF A FIRING MEMBER, now U.S. Patent No. 9,844,374;
- U.S. Patent Application Serial No. 14/574,483, entitled SURGICAL INSTRUMENT ASSEMBLY COMPRISING LOCKABLE SYSTEMS, now U.S. Patent Application Publication No. 2016/0174969;
- U.S. Patent Application Serial No. 14/575,139, entitled DRIVE ARRANGEMENTS FOR ARTICULATABLE SURGICAL INSTRUMENTS, now U.S. Patent No. 9,844,375;

- U.S. Patent Application Serial No. 14/575,148, entitled LOCKING ARRANGEMENTS FOR DETACHABLE SHAFT ASSEMBLIES WITH ARTICULATABLE SURGICAL END EFFECTORS, now U.S. Patent No. 10,085,748;
- U.S. Patent Application Serial No. 14/575,130, entitled SURGICAL INSTRUMENT WITH AN ANVIL THAT IS SELECTIVELY MOVABLE ABOUT A DISCRETE NON-MOVABLE AXIS RELATIVE TO A STAPLE CARTRIDGE, now U.S. Patent Application Publication No. 2016/0174972;
- U.S. Patent Application Serial No. 14/575,143, entitled SURGICAL INSTRUMENTS WITH IMPROVED CLOSURE ARRANGEMENTS, now U.S. Patent No. 10,004,501;
- U.S. Patent Application Serial No. 14/575,117, entitled SURGICAL INSTRUMENTS WITH ARTICULATABLE END EFFECTORS AND MOVABLE FIRING BEAM SUPPORT ARRANGEMENTS, now U.S. Patent No. 9,943,309;
- U.S. Patent Application Serial No. 14/575,154, entitled SURGICAL INSTRUMENTS WITH ARTICULATABLE END EFFECTORS AND IMPROVED FIRING BEAM SUPPORT ARRANGEMENTS, now U.S. Patent No. 9,968,355;
- U.S. Patent Application Serial No. 14/574,493, entitled SURGICAL INSTRUMENT ASSEMBLY COMPRISING A FLEXIBLE ARTICULATION SYSTEM, now U.S. Patent No. 9,987,000; and
- U.S. Patent Application Serial No. 14/574,500, entitled SURGICAL INSTRUMENT ASSEMBLY COMPRISING A LOCKABLE ARTICULATION SYSTEM, now U.S. Patent No. 10,117,649.

[0085] Applicant of the present application owns the following patent applications that were filed on March 1, 2013 and which are each herein incorporated by reference in their respective entirety:

- U.S. Patent Application Serial No. 13/782,295, entitled ARTICULATABLE SURGICAL INSTRUMENTS WITH CONDUCTIVE PATHWAYS FOR SIGNAL COMMUNICATION, now U.S. Patent Application Publication No. 2014/0246471;
- U.S. Patent Application Serial No. 13/782,323, entitled ROTARY POWERED ARTICULATION JOINTS FOR SURGICAL INSTRUMENTS, now U.S. Patent Application Publication No. 2014/0246472;

- U.S. Patent Application Serial No. 13/782,338, entitled THUMBWHEEL SWITCH ARRANGEMENTS FOR SURGICAL INSTRUMENTS, now U.S. Patent Application Publication No. 2014/0249557;
- U.S. Patent Application Serial No. 13/782,499, entitled ELECTROMECHANICAL SURGICAL DEVICE WITH SIGNAL RELAY ARRANGEMENT, now U.S. Patent No. 9,358,003;
- U.S. Patent Application Serial No. 13/782,460, entitled MULTIPLE PROCESSOR MOTOR CONTROL FOR MODULAR SURGICAL INSTRUMENTS, now U.S. Patent Application Publication No. 2014/0246478;
- U.S. Patent Application Serial No. 13/782,358, entitled JOYSTICK SWITCH ASSEMBLIES FOR SURGICAL INSTRUMENTS, now U.S. Patent No. 9,326,767;
- U.S. Patent Application Serial No. 13/782,481, entitled SENSOR STRAIGHTENED END EFFECTOR DURING REMOVAL THROUGH TROCAR, now U.S. Patent No. 9,468,438;
- U.S. Patent Application Serial No. 13/782,518, entitled CONTROL METHODS FOR SURGICAL INSTRUMENTS WITH REMOVABLE IMPLEMENT PORTIONS, now U.S. Patent Application Publication No. 2014/0246475;
- U.S. Patent Application Serial No. 13/782,375, entitled ROTARY POWERED SURGICAL INSTRUMENTS WITH MULTIPLE DEGREES OF FREEDOM, now U.S. Patent No. 9,398,911; and
- U.S. Patent Application Serial No. 13/782,536, entitled SURGICAL INSTRUMENT SOFT STOP, now U.S. Patent No. 9,307,986.

[0086] Applicant of the present application also owns the following patent applications that were filed on March 14, 2013 and which are each herein incorporated by reference in their respective entirety:

- U.S. Patent Application Serial No. 13/803,097, entitled ARTICULATABLE SURGICAL INSTRUMENT COMPRISING A FIRING DRIVE, now U.S. Patent No. 9,687,230;
- U.S. Patent Application Serial No. 13/803,193, entitled CONTROL ARRANGEMENTS FOR A DRIVE MEMBER OF A SURGICAL INSTRUMENT, now U.S. Patent No. 9,332,987;

- U.S. Patent Application Serial No. 13/803,053, entitled INTERCHANGEABLE SHAFT ASSEMBLIES FOR USE WITH A SURGICAL INSTRUMENT, now U.S. Patent No. 9,883,860;
- U.S. Patent Application Serial No. 13/803,086, entitled ARTICULATABLE SURGICAL INSTRUMENT COMPRISING AN ARTICULATION LOCK, now U.S. Patent Application Publication No. 2014/0263541;
- U.S. Patent Application Serial No. 13/803,210, entitled SENSOR ARRANGEMENTS FOR ABSOLUTE POSITIONING SYSTEM FOR SURGICAL INSTRUMENTS, now U.S. Patent No. 9,808,244;
- U.S. Patent Application Serial No. 13/803,148, entitled MULTI-FUNCTION MOTOR FOR A SURGICAL INSTRUMENT, now U.S. Patent Application Publication No. 2014/0263554;
- U.S. Patent Application Serial No. 13/803,066, entitled DRIVE SYSTEM LOCKOUT ARRANGEMENTS FOR MODULAR SURGICAL INSTRUMENTS, now U.S. Patent No. 9,629,623;
- U.S. Patent Application Serial No. 13/803,117, entitled ARTICULATION CONTROL SYSTEM FOR ARTICULATABLE SURGICAL INSTRUMENTS, now U.S. Patent No. 9,351,726;
- U.S. Patent Application Serial No. 13/803,130, entitled DRIVE TRAIN CONTROL ARRANGEMENTS FOR MODULAR SURGICAL INSTRUMENTS, now U.S. Patent No. 9,351,727; and
- U.S. Patent Application Serial No. 13/803,159, entitled METHOD AND SYSTEM FOR OPERATING A SURGICAL INSTRUMENT, now U.S. Patent No. 9,888,919.

[0087] Applicant of the present application also owns the following patent application that was filed on March 7, 2014 and is herein incorporated by reference in its entirety:

- U.S. Patent Application Serial No. 14/200,111, entitled CONTROL SYSTEMS FOR SURGICAL INSTRUMENTS, now U.S. Patent No. 9,629,629.

[0088] Applicant of the present application also owns the following patent applications that were filed on March 26, 2014 and are each herein incorporated by reference in their respective entirety:

- U.S. Patent Application Serial No. 14/226,106, entitled POWER MANAGEMENT CONTROL SYSTEMS FOR SURGICAL INSTRUMENTS, now U.S. Patent Application Publication No. 2015/0272582;
- U.S. Patent Application Serial No. 14/226,099, entitled STERILIZATION VERIFICATION CIRCUIT, now U.S. Patent No. 9,826,977;
- U.S. Patent Application Serial No. 14/226,094, entitled VERIFICATION OF NUMBER OF BATTERY EXCHANGES/PROCEDURE COUNT, now U.S. Patent Application Publication No. 2015/0272580;
- U.S. Patent Application Serial No. 14/226,117, entitled POWER MANAGEMENT THROUGH SLEEP OPTIONS OF SEGMENTED CIRCUIT AND WAKE UP CONTROL, now U.S. Patent No. 10,013,049;
- U.S. Patent Application Serial No. 14/226,075, entitled MODULAR POWERED SURGICAL INSTRUMENT WITH DETACHABLE SHAFT ASSEMBLIES, now U.S. Patent No. 9,743,929;
- U.S. Patent Application Serial No. 14/226,093, entitled FEEDBACK ALGORITHMS FOR MANUAL BAILOUT SYSTEMS FOR SURGICAL INSTRUMENTS, now U.S. Patent No. 10,028,761;
- U.S. Patent Application Serial No. 14/226,116, entitled SURGICAL INSTRUMENT UTILIZING SENSOR ADAPTATION, now U.S. Patent Application Publication No. 2015/0272571;
- U.S. Patent Application Serial No. 14/226,071, entitled SURGICAL INSTRUMENT CONTROL CIRCUIT HAVING A SAFETY PROCESSOR, now U.S. Patent No. 9,690,362;
- U.S. Patent Application Serial No. 14/226,097, entitled SURGICAL INSTRUMENT COMPRISING INTERACTIVE SYSTEMS, now U.S. Patent No. 9,820,738;
- U.S. Patent Application Serial No. 14/226,126, entitled INTERFACE SYSTEMS FOR USE WITH SURGICAL INSTRUMENTS, now U.S. Patent No. 10,004,497;
- U.S. Patent Application Serial No. 14/226,133, entitled MODULAR SURGICAL INSTRUMENT SYSTEM, now U.S. Patent Application Publication No. 2015/0272557;

- U.S. Patent Application Serial No. 14/226,081, entitled SYSTEMS AND METHODS FOR CONTROLLING A SEGMENTED CIRCUIT, now U.S. Patent No. 9,804,618;
- U.S. Patent Application Serial No. 14/226,076, entitled POWER MANAGEMENT THROUGH SEGMENTED CIRCUIT AND VARIABLE VOLTAGE PROTECTION, now U.S. Patent No. 9,733,663;
- U.S. Patent Application Serial No. 14/226,111, entitled SURGICAL STAPLING INSTRUMENT SYSTEM, now U.S. Patent No. 9,750,499; and
- U.S. Patent Application Serial No. 14/226,125, entitled SURGICAL INSTRUMENT COMPRISING A ROTATABLE SHAFT, now U.S. Patent Application Publication No. 2015/0280384.

[0089] Applicant of the present application also owns the following patent applications that were filed on September 5, 2014 and which are each herein incorporated by reference in their respective entirety:

- U.S. Patent Application Serial No. 14/479,103, entitled CIRCUITRY AND SENSORS FOR POWERED MEDICAL DEVICE, now U.S. Patent No. 10,111,679;
- U.S. Patent Application Serial No. 14/479,119, entitled ADJUNCT WITH INTEGRATED SENSORS TO QUANTIFY TISSUE COMPRESSION, now U.S. Patent No. 9,724,094;
- U.S. Patent Application Serial No. 14/478,908, entitled MONITORING DEVICE DEGRADATION BASED ON COMPONENT EVALUATION, now U.S. Patent No. 9,737,301;
- U.S. Patent Application Serial No. 14/478,895, entitled MULTIPLE SENSORS WITH ONE SENSOR AFFECTING A SECOND SENSOR'S OUTPUT OR INTERPRETATION, now U.S. Patent No. 9,757,128;
- U.S. Patent Application Serial No. 14/479,110, entitled POLARITY OF HALL MAGNET TO IDENTIFY CARTRIDGE TYPE, now U.S. Patent No. 10,016,199;
- U.S. Patent Application Serial No. 14/479,098, entitled SMART CARTRIDGE WAKE UP OPERATION AND DATA RETENTION, now U.S. Patent No. 10,135,242;
- U.S. Patent Application Serial No. 14/479,115, entitled MULTIPLE MOTOR CONTROL FOR POWERED MEDICAL DEVICE, now U.S. Patent No. 9,788,836; and

- U.S. Patent Application Serial No. 14/479,108, entitled LOCAL DISPLAY OF TISSUE PARAMETER STABILIZATION, now U.S. Patent Application Publication No. 2016/0066913.

[0090] Applicant of the present application also owns the following patent applications that were filed on April 9, 2014 and which are each herein incorporated by reference in their respective entirety:

- U.S. Patent Application Serial No. 14/248,590, entitled MOTOR DRIVEN SURGICAL INSTRUMENTS WITH LOCKABLE DUAL DRIVE SHAFTS, now U.S. Patent No. 9,826,976;
- U.S. Patent Application Serial No. 14/248,581, entitled SURGICAL INSTRUMENT COMPRISING A CLOSING DRIVE AND A FIRING DRIVE OPERATED FROM THE SAME ROTATABLE OUTPUT, now U.S. Patent No. 9,649,110;
- U.S. Patent Application Serial No. 14/248,595, entitled SURGICAL SYSTEM COMPRISING FIRST AND SECOND DRIVE SYSTEMS, now U.S. Patent No. 9,844,368;
- U.S. Patent Application Serial No. 14/248,588, entitled POWERED LINEAR SURGICAL STAPLER, now U.S. Patent Application Publication No. 2014/0309666;
- U.S. Patent Application Serial No. 14/248,591, entitled SURGICAL INSTRUMENT COMPRISING A GAP SETTING SYSTEM, now U.S. Patent No. 10,149,680;
- U.S. Patent Application Serial No. 14/248,584, entitled MODULAR MOTOR DRIVEN SURGICAL INSTRUMENTS WITH ALIGNMENT FEATURES FOR ALIGNING ROTARY DRIVE SHAFTS WITH SURGICAL END EFFECTOR SHAFTS, now U.S. Patent No. 9,801,626;
- U.S. Patent Application Serial No. 14/248,587, entitled POWERED SURGICAL STAPLER, now U.S. Patent No. 9,867,612;
- U.S. Patent Application Serial No. 14/248,586, entitled DRIVE SYSTEM DECOUPLING ARRANGEMENT FOR A SURGICAL INSTRUMENT, now U.S. Patent No. 10,136,887; and

- U.S. Patent Application Serial No. 14/248,607, entitled MODULAR MOTOR DRIVEN SURGICAL INSTRUMENTS WITH STATUS INDICATION ARRANGEMENTS, now U.S. Patent No. 9,814,460.

[0091] Applicant of the present application also owns the following patent applications that were filed on April 16, 2013 and which are each herein incorporated by reference in their respective entirety:

- U.S. Provisional Patent Application Serial No. 61/812,365, entitled SURGICAL INSTRUMENT WITH MULTIPLE FUNCTIONS PERFORMED BY A SINGLE MOTOR;

- U.S. Provisional Patent Application Serial No. 61/812,376, entitled LINEAR CUTTER WITH POWER;

- U.S. Provisional Patent Application Serial No. 61/812,382, entitled LINEAR CUTTER WITH MOTOR AND PISTOL GRIP;

- U.S. Provisional Patent Application Serial No. 61/812,385, entitled SURGICAL INSTRUMENT HANDLE WITH MULTIPLE ACTUATION MOTORS AND MOTOR CONTROL; and

- U.S. Provisional Patent Application Serial No. 61/812,372, entitled SURGICAL INSTRUMENT WITH MULTIPLE FUNCTIONS PERFORMED BY A SINGLE MOTOR.

[0092] Numerous specific details are set forth to provide a thorough understanding of the overall structure, function, manufacture, and use of the embodiments as described in the specification and illustrated in the accompanying drawings. Well-known operations, components, and elements have not been described in detail so as not to obscure the embodiments described in the specification. The reader will understand that the embodiments described and illustrated herein are non-limiting examples, and thus it can be appreciated that the specific structural and functional details disclosed herein may be representative and illustrative. Variations and changes thereto may be made without departing from the scope of the claims.

[0093] The terms "comprise" (and any form of comprise, such as "comprises" and "comprising"), "have" (and any form of have, such as "has" and "having"), "include" (and any form of include, such as "includes" and "including") and "contain" (and any form of contain, such as "contains" and "containing") are open-ended linking verbs. As a result, a surgical system, device, or apparatus that "comprises," "has," "includes" or "contains"

one or more elements possesses those one or more elements, but is not limited to possessing only those one or more elements. Likewise, an element of a system, device, or apparatus that "comprises," "has," "includes" or "contains" one or more features possesses those one or more features, but is not limited to possessing only those one or more features.

[0094] The terms "proximal" and "distal" are used herein with reference to a clinician manipulating the handle portion of the surgical instrument. The term "proximal" refers to the portion closest to the clinician and the term "distal" refers to the portion located away from the clinician. It will be further appreciated that, for convenience and clarity, spatial terms such as "vertical", "horizontal", "up", and "down" may be used herein with respect to the drawings. However, surgical instruments are used in many orientations and positions, and these terms are not intended to be limiting and/or absolute.

[0095] Various exemplary devices and methods are provided for performing laparoscopic and minimally invasive surgical procedures. However, the reader will readily appreciate that the various methods and devices disclosed herein can be used in numerous surgical procedures and applications including, for example, in connection with open surgical procedures. As the present Detailed Description proceeds, the reader will further appreciate that the various instruments disclosed herein can be inserted into a body in any way, such as through a natural orifice, through an incision or puncture hole formed in tissue, etc. The working portions or end effector portions of the instruments can be inserted directly into a patient's body or can be inserted through an access device that has a working channel through which the end effector and elongate shaft of a surgical instrument can be advanced.

[0096] A surgical stapling system can comprise a shaft and an end effector extending from the shaft. The end effector comprises a first jaw and a second jaw. The first jaw comprises a staple cartridge. The staple cartridge is insertable into and removable from the first jaw; however, other embodiments are envisioned in which a staple cartridge is not removable from, or at least readily replaceable from, the first jaw. The second jaw comprises an anvil configured to deform staples ejected from the staple cartridge. The second jaw is pivotable relative to the first jaw about a closure axis; however, other embodiments are envisioned in which the first jaw is pivotable relative to the second

jaw. The surgical stapling system further comprises an articulation joint configured to permit the end effector to be rotated, or articulated, relative to the shaft. The end effector is rotatable about an articulation axis extending through the articulation joint. Other embodiments are envisioned which do not include an articulation joint.

[0097] The staple cartridge comprises a cartridge body. The cartridge body includes a proximal end, a distal end, and a deck extending between the proximal end and the distal end. In use, the staple cartridge is positioned on a first side of the tissue to be stapled and the anvil is positioned on a second side of the tissue. The anvil is moved toward the staple cartridge to compress and clamp the tissue against the deck. Thereafter, staples removably stored in the cartridge body can be deployed into the tissue. The cartridge body includes staple cavities defined therein wherein staples are removably stored in the staple cavities. The staple cavities are arranged in six longitudinal rows. Three rows of staple cavities are positioned on a first side of a longitudinal slot and three rows of staple cavities are positioned on a second side of the longitudinal slot. Other arrangements of staple cavities and staples may be possible.

[0098] The staples are supported by staple drivers in the cartridge body. The drivers are movable between a first, or unfired position, and a second, or fired, position to eject the staples from the staple cavities. The drivers are retained in the cartridge body by a retainer which extends around the bottom of the cartridge body and includes resilient members configured to grip the cartridge body and hold the retainer to the cartridge body. The drivers are movable between their unfired positions and their fired positions by a sled. The sled is movable between a proximal position adjacent the proximal end and a distal position adjacent the distal end. The sled comprises a plurality of ramped surfaces configured to slide under the drivers and lift the drivers, and the staples supported thereon, toward the anvil.

[0099] Further to the above, the sled is moved distally by a firing member. The firing member is configured to contact the sled and push the sled toward the distal end. The longitudinal slot defined in the cartridge body is configured to receive the firing member. The anvil also includes a slot configured to receive the firing member. The firing member further comprises a first cam which engages the first jaw and a second cam which engages the second jaw. As the firing member is advanced distally, the first cam

and the second cam can control the distance, or tissue gap, between the deck of the staple cartridge and the anvil. The firing member also comprises a knife configured to incise the tissue captured intermediate the staple cartridge and the anvil. It is desirable for the knife to be positioned at least partially proximal to the ramped surfaces such that the staples are ejected ahead of the knife.

[0100] FIGS. 1-5 are longitudinal cross-sectional views of an end effector of a surgical instrument system. The views depict the end effector in an open position prior to being placed onto tissue (FIG. 1), in a closed position ready for firing (FIG. 2), during a firing action to deploy staples into the tissue (FIG. 3), after the firing action has been completed (FIG. 4), and in a re-opened position (FIG. 5) to release the end effector from the tissue. This surgical instrument system is similar in many respects to the surgical instrument system disclosed in U.S. Patent No. 5,667,517, entitled ENDOSCOPIC SURGICAL SYSTEM WITH SENSING MEANS, which issued on September 16, 1997 to Michael Dawson Hooven. The entire disclosure of U.S. Patent No. 5,667,517 is incorporated by reference herein.

[0101] The end effector of FIGS. 1-5 includes a shaft housing 60 and an end effector housing 70. The end effector housing 70 is connected to the shaft housing 60 in any suitable manner, such as by a press fit or ultrasonic welding, for example. A rotatable shaft 61 extends through the shaft housing 60 and is operably coupled with an electric motor, for example, which can rotate the shaft 61. A threaded rod 71 extends substantially the length of the end effector and is connected to the rotatable shaft 61. The threaded rod 71 has a larger diameter portion 72 adjacent the shaft 61 and a smaller diameter portion 73 for the remainder of the threaded rod 71. The end effector further includes a staple or staple cartridge portion 74 and an anvil portion 75. The staple cartridge portion 74 and the anvil portion 75 are pivotally connected to each other by the anvil pivot pin 76. Threadably mounted on the larger diameter portion 72 of the threaded rod 71 is a closure nut 77 and extending from that closure nut 77 is a closure pin 78 which moves in a closure slot 79 disposed in the pivotally mounted anvil portion 75 of the end effector. When the shaft 61 is rotated, the threaded rod 71 is also rotated and, upon the rotation thereof in a first direction, the closure nut 77 will move down the

threaded rod 71 and move the closure pin 78 in the closure slot 79 to close the anvil portion 75 against the staple portion 74 of the end effector.

[0102] Further to the above, the tissue to be treated or manipulated by the end effector is placed between the anvil portion 75 and the staple cartridge portion 74 of the end effector when the anvil portion 75 is in its open position. Once the tissue has been suitably positioned between the anvil portion 75 and the staple cartridge portion 74, power is applied to the shaft 61 to rotate the shaft 61 and the threaded rod 71 and close the anvil portion 75. As can be appreciated, the amount of torque required to pivot the anvil portion 75 about the pivot pin 76 can be sensed and, as a result, the thickness of tissue between the anvil portion 75 and the staple cartridge portion 74 can be determined. The surgical instrument system can further include a microprocessor, or controller, which can manipulate this information and inform the surgeon as to whether or not an appropriate amount of tissue is positioned between the anvil portion 75 and the staple cartridge portion 74 of the end effector upon closing the anvil portion 75 or whether too much or too little tissue is positioned between the anvil portion 75 and the staple cartridge portion 74. The microprocessor can also be configured to indicate to the surgeon whether or not the end effector should be re-manipulated. When the electric motor rotating the shaft 61 is driven by a constant voltage, for example, the force required to close the end effector may be measured by monitoring the motor current. In various instances, the power delivered to the end effector may be controlled by varying the motor voltage and/or current to achieve a constant motor speed with varying load, for example. In certain instances, pulse width modulation and/or frequency modulation may be utilized to control the electric motor.

[0103] The staple cartridge portion 74 comprises a removable staple cartridge 80. The staple cartridge 80 can include any suitable number of staple rows, such as four rows of staples 81 or six rows of staples 81, for example. The staple rows are parallel to one another and, in adjacent rows, are off-set with respect to one another. The staple cartridge 80 is placed in the staple cartridge portion 74 so that it is opposite the anvil portion 75 and snaps into the staple cartridge portion 74 of the end effector as shown. As depicted in FIGS. 1-5, the smaller diameter portion 73 of the threaded rod 71 extends through the staple cartridge 80. The staple cartridge 80 can include an opening

defined in the bottom thereof which permits the staple cartridge 80 to be positioned over the threaded rod 71 and seated into position in the staple cartridge portion 74. Other embodiments are envisioned in which the threaded rod 71, or at least a portion of the threaded rod 71, is part of the staple cartridge 80. In such an embodiment, the threaded rod 71 can be operably coupled with the drive shaft 61 when the staple cartridge 80 is seated in the staple cartridge portion 74. Some embodiments are envisioned in which the staple cartridge 80 is not readily replaceable within the end effector. In at least one such embodiment, the end effector, as a whole, may be replaceable.

[0104] Mounted on the threaded rod 71 is a knife member 82 and a driving wedge member 83 which are interconnected. The interconnected knife member 82 and wedge member 83 are threadably engaged with the smaller diameter portion 73 of the threaded rod 71 and are advanced distally when the threaded rod 71 is rotated in the first direction, i.e., the same direction in which the threaded rod 71 is rotated to close the anvil portion 75. The wedge member 83 precedes, or is positioned distally with respect to, the knife member 82 as they move along the threaded rod 71. As the wedge member 83 moves down the threaded rod 71, the wedge member 83 drives the staples 81 out of the cartridge 80 via staple drivers 84. The staple drivers 84 can comprise individual staple drivers or, alternatively, one or more of the staple drivers 84 can be interconnected. The staples 81 pass through the tissue and are pushed against the anvil portion 75 to form the staples 81 in the tissue. The knife member 82 following the driving wedge 83 cuts the tissue between two adjacent rows of staples 81. The driving wedge 83 can be comprised of two portions; that is, it has one wedge piece on one side of the knife member 82 to drive the staples 81 on a first side of the knife member 82 and a like wedge piece on the opposite side of the knife member 82 to drive the staples 81 on a second, or opposite, side of the knife member 82.

[0105] The staples 81 have the same unformed heights; however, it is envisioned that the staples 81 can have different unformed heights. The staples 81 have the same deformed heights; however, it is envisioned that the staples 81 can have different deformed heights. The entire disclosure of U.S. Patent Application Publication No. 2007/0131732, entitled SURGICAL STAPLING INSTRUMENTS INCLUDING A

CARTRIDGE HAVING MULTIPLE STAPLE SIZES, now U.S. Patent No. 7,398,908, which was filed on November 3, 2006, is incorporated by reference herein. The entire disclosure of U.S. Patent No. 7,635,074, entitled STAPLE DRIVE ASSEMBLY, which issued on December 22, 2009, is incorporated by reference herein. The entire disclosures of U.S. Patent Application Serial No. 14/527,398, entitled STAPLE CARTRIDGES COMPRISING DRIVER ARRANGEMENTS, which was filed on October 29, 2014, and U.S. Patent Application Serial No. 14/527,384, entitled CARTRIDGE ASSEMBLIES FOR SURGICAL STAPLERS, which was filed on October 29, 2014, are incorporated by reference herein.

[0106] When the anvil portion 75 is closed as shown in FIG. 2, the closure nut 77 moves a stop member 85 forward so that the firing nut 86 on which the knife 82 and wedges 83 are disposed is moved forward and engages the threads of the smaller diameter portion 73 of the threaded rod 71 to move forward along the rod 71 and drive the staples 81 and cut the tissue. Concurrent with the closure nut 77 switching the stop member 85 from its rearward facing configuration (FIG. 6) to its forward facing configuration (FIG. 7), the closure nut 77 runs off of, or disengages from, the thread of the threaded portion 72. The firing nut 86 is biased, using a suitable means, so as not to engage the thread of the threaded portion 73 until the stop member 85 is activated, or pushed forward, as described above. Once the firing nut 86 has been moved to its most-forward position to drive and form all of the staples 81 and cut the tissue, the firing nut 86 engages a suitable contact 87 which immediately reverses the electric motor to rotate the rod in a second, or opposite direction, to retract the firing nut 86. In its fully retracted position, referring now to FIG. 9, the firing nut 86 moves the stop member 85 rearwardly causing the closure nut 77 to become re-engaged with the thread of the threaded portion 72. Concurrent with the stop member 85 being pushed into its rearward facing configuration (FIG. 9), the firing nut 86 runs off of, or disengages from, the thread of the threaded portion 73. The continued rotation of the threaded rod 71 in the second direction retracts the closure nut 77 and opens the anvil portion 75 of the end effector, as illustrated in FIG. 10.

[0107] Another configuration of the above-described embodiments would be to locate contacts in a handle portion of the instrument, or a proximal housing that is attached to

a robotic surgical stapler, and use a follower nut on the rotating shaft 61 to monitor the position of the closure nut 77 and/or the firing nut 86. The entire disclosure of U.S. Patent Application Serial No. 13/118,241, entitled SURGICAL STAPLING INSTRUMENTS WITH ROTATABLE STAPLE DEPLOYMENT ARRANGEMENTS, now U.S. Patent Application Publication No. 2012/0298719, is incorporated by reference herein. Various information may be transmitted to and/or from the microprocessor of the surgical instrument system during the operation thereof; for example, the movement of the stop member 85 pushing the firing nut 86 onto the thread of the threaded portion 73 and/or pushing the closure nut 77 onto the thread of the threaded portion 72 can be sensed. The most forward position of the wedges 83 and/or knife member 82 may be sensed. The reversal of the motor may also be sensed. Furthermore, the presence of a staple cartridge 80 in the staple cartridge portion 74 and/or the presence of staples 81 in that cartridge 80 may also be sensed. All of this information may be fed back to the controller and stored and manipulated in the controller so that the surgeon using the instrument can receive information regarding the condition of the surgical instrument system.

[0108] The surgical instrument systems disclosed herein can be utilized with an adjunct material, such as buttress material, for example. The adjunct material can comprise one or more layers of material releasably attached to the staple cartridge and/or the anvil. The entire disclosure of U.S. Patent Application Publication 2010/0012704, entitled SURGICAL STAPLING APPARATUS, which published on January 21, 2010, now U.S. Patent No. 8,413,871, is incorporated by reference herein.

[0109] The surgical instrument system depicted in FIGS. 1-5 and described above is useful for its intended purpose; however, there are several aspects of this surgical instrument system that can be improved. For instance, the closure nut 77 and the firing nut 86 are advanced sequentially. Stated another way, the closure nut 77 completes its entire closing stroke on the threaded portion 72 of the rod 71 before the firing nut 86 begins its firing stroke on the threaded portion 73 of the rod 71. As a result, the tissue clamping system must be fully clamped before the staple firing system can be operated. Moreover, the firing nut 86 must be completely retracted before the closure nut 77 can be retracted. As a result, the tissue clamping system cannot be unclamped immediately

after the staples 81 have been fired; rather, the tissue clamping system is stuck in its clamped configuration until the firing system has been completely reset. In addition to the above, coordinating the disengagement of the closure nut 77 from the thread of the threaded portion 72 at the same time that the closure nut 77 switches the stop member 85 to its forward-facing configuration may require very precise tolerances. Similarly, coordinating the disengagement of the firing nut 86 from the thread of the threaded portion 73 at the same time that the firing nut 86 switches the stop member 85 to its rearward-facing configuration may also require very precise tolerances.

[0110] A surgical instrument system 150 is illustrated in FIGS. 6-14. The surgical instrument system 150 includes a shaft 160 and an end effector 170 extending from the shaft 160. The shaft 160 extends from a housing 152 which is configured to be attached to a robotic surgical system, such as the DAVINCI robotic surgical system manufactured by Intuitive Surgical, Inc., for example. The entire disclosure of U.S. Patent Application Serial No. 13/118,241, entitled SURGICAL STAPLING INSTRUMENTS WITH ROTABLE STAPLE DEPLOYMENT ARRANGEMENTS, now U.S. Patent Application Publication No. 2012/0298719 is incorporated by reference herein. Alternatively, the shaft 160 can extend from a handle of a surgical instrument configured to be grasped and operated by a surgeon, for example. The entire disclosures of U.S. Patent No. 7,143,923, entitled SURGICAL STAPLING INSTRUMENT HAVING A FIRING LOCKOUT FOR AN UNCLOSED ANVIL, which issued on December 5, 2006; U.S. Patent No. 7,044,352, SURGICAL STAPLING INSTRUMENT HAVING A SINGLE LOCKOUT MECHANISM FOR PREVENTION OF FIRING, which issued on May 16, 2006; U.S. Patent No. 7,000,818, SURGICAL STAPLING INSTRUMENT HAVING SEPARATE DISTINCT CLOSING AND FIRING SYSTEMS, which issued on February 21, 2006; U.S. Patent No. 6,988,649, SURGICAL STAPLING INSTRUMENT HAVING A SPENT CARTRIDGE LOCKOUT, which issued on January 24, 2006; and U.S. Patent No. 6,978,921, SURGICAL STAPLING INSTRUMENT INCORPORATING AN E-BEAM FIRING MECHANISM, which issued on December 27, 2005, are incorporated by reference herein. The shaft 160 comprises at least one articulation joint, such as articulation joint 190, for example, which is configured to permit the end effector 170 to be articulated about at least one axis of

rotation. Other embodiments are envisioned in which the shaft 160 does not comprise an articulation joint.

[0111] Referring primarily to FIG. 6, the end effector 170 comprises a staple cartridge portion 174 and an anvil portion 175. A staple cartridge 180 is positioned in the staple cartridge portion 174. The staple cartridge 180 is removable from the staple cartridge portion 174 such that it can be readily replaced with another staple cartridge; however, other embodiments are envisioned in which the staple cartridge 180 is not readily replaceable. The anvil portion 175 is rotatable relative to the staple cartridge portion 174 about pivot pins 176 extending from the anvil portion 175. Alternative embodiments are envisioned in which the staple cartridge portion 174 is rotatable relative to the anvil portion 175. The anvil 175 is rotatable between an open position (FIGS. 6-9) and a closed position (FIGS. 10-13) by a closure drive as described in greater detail further below. Staples, such as staples 81, for example, are removably stored in the staple cartridge 180 and can be ejected from the staple cartridge 180 by a firing drive and deformed against the anvil 175, as also described in greater detail further below.

[0112] Referring primarily to FIGS. 7-9, the shaft 160 includes a rotatable input shaft 161. As described in greater detail further below, the input shaft 161 is utilized to operate the closing drive and the firing drive. The input shaft 161 is rotatably mounted in the shaft 160 by one or more bearings and comprises a threaded portion 172. The closure drive comprises a closure nut 177 which includes a threaded aperture 162 defined therein. The closure nut 177 further comprises closure pins 178 extending from opposite sides thereof which are slidably positioned in closure slots 179 defined in opposite sides of the anvil portion 175.

[0113] The threaded aperture 162 of the closure nut 177 is threadably engaged with the threaded portion 172 of the input shaft 161 such that, when the input shaft 161 is rotated in a first direction, the closure nut 177 is displaced distally toward the end of the end effector 170 and, when the input shaft 161 is rotated in a second, or opposite, direction, the closure nut 177 is displaced proximally toward the housing 152, as illustrated in FIG. 10. The interaction between the closure pins 178 of the closure nut 177 and the sidewalls of the closure slots 179 prevent the closure nut 177 from rotating

with the input shaft 161 and, as a result, the rotational motion of the input shaft 161 is converted to longitudinal translation of the closure nut 177.

[0114] In use, the closure nut 177 is advanced distally by the input shaft 161 to move the anvil portion 175 between an open position (FIGS. 6-9) and a closed position (FIGS. 11-13). In such instances, the closure pins 178 engage the bottom sidewalls of the closure slot 179 and cam the anvil 175 toward the staple cartridge 180, as illustrated in FIG. 10. Similarly, referring to FIG. 14, the closure nut 177 is advanced proximally by the input shaft 161 to move the anvil portion 175 between a closed position and an open position. In such instances, the closure pins 178 engage the top sidewalls of the closure slot 179 and cam the anvil 175 away from the staple cartridge 180.

[0115] The input shaft 161 further comprises a distal gear 165 fixedly mounted to the distal end thereof. When the input shaft 161 is rotated in the first direction, the distal gear 165 rotates in the first direction and, when the input shaft 161 is rotated in the second direction, the distal gear 165 rotates in the second direction. The firing drive of the end effector 170 comprises a rotatable firing shaft 171 which is rotatably mounted in the staple cartridge portion 174 by one or more bearings, such as bearing 163, for example. The firing shaft 171 comprises a proximal gear 185 and a threaded portion 173. The proximal gear 185 of the firing shaft 171 is meshingly engaged with the distal gear 165 of the input shaft 161 such that the input shaft 161 can drive the firing shaft 171 when the input shaft 161 is rotated. The proximal gear 185 is slidably mounted to the firing shaft 171. More specifically, the firing shaft 171 comprises a splined portion 168 and the proximal gear 185 includes a splined aperture 169 extending therethrough which is slidably coupled to the splined shaft portion 168. As a result, the proximal gear 185 can rotate the firing shaft 171 about a longitudinal axis and, in addition, slide longitudinally along the longitudinal axis, as described in greater detail below.

[0116] The firing drive further comprises a firing nut 186 which includes a threaded aperture 189 defined therein which is threadably engageable with the threaded portion 173 of the shaft 171. The firing nut 186 further comprises wedges 183 defined thereon which are configured to slide under the staple drivers 84 and lift the staples 81 toward the anvil portion 175 to staple tissue positioned between the staple cartridge 180 and

the anvil portion 175. The firing nut 186 also comprises a cutting member 182 defined thereon which is configured to incise the stapled tissue. When the firing nut 186 is threadably engaged with the shaft 171 and the input shaft 161 is rotated in the first direction, the firing nut 186 is displaced distally toward the end of the end effector 170 to eject the staples 81 from the staple cartridge 180 and incise the tissue. When the firing nut 186 is threadably engaged with the threaded portion 173 of the shaft 171 and the input shaft 161 is rotated in the second direction, the firing nut 186 is displaced proximally toward the housing 152 to retract the wedges 183 and the cutting member 182 to their unfired position.

[0117] The above being understood, the surgical instrument system 150 comprises a system for switching between a clamping operating mode and a staple firing operating mode that is an improvement over the switching system disclosed in connection with the surgical instrument system of FIGS. 1-5. Referring again to FIGS. 7-9, the closure nut 177 is movable from a proximal position to a distal position during a clamping stroke in order to move the anvil portion 175 from its open position to its closed position. When the closure nut 177 is in its proximal position, the closure nut 177 is threadably engaged with the threads 172 defined on the input shaft 171. The closure system can comprise a biasing member, such as spring 164, for example, which is configured to bias the threads 162 of the closure nut 177 into engagement with, or maintain their engagement with, the threads 172 of the input shaft 171. The spring 164 is positioned intermediate the closure nut 177 and a shoulder 166 defined on the shaft 171.

[0118] As a result of the above, the initial rotation of the input shaft 161 in the first direction can immediately displace the closure nut 177 distally to begin closing the anvil portion 175. Moreover, if the input shaft 161 is inadvertently driven in the second direction when the closure nut 177 is in its proximal position, the closure nut 177 may move proximally and become disengaged from the threads 172 and enter into an idle condition. The spring 164, however, can maintain the threads 162 of the closure nut 177 in close proximity to the threads 172 of the input shaft 161 such that, when the input shaft 161 is rotated in the first direction, the threads 162 can catch the threads 172 and the closure nut 177 can be pulled distally to close the anvil portion 175.

[0119] Notably, further to the above, the rotation of the input shaft 161 being utilized to initiate the clamping stroke of the closure nut 177 is being transferred to the firing shaft 171 via the meshed gears 165 and 185. This rotation of the firing shaft 171 does not drive the firing nut 186 distally as the firing nut 186, at this point in the operation of the surgical instrument system 150, is not threadably engaged with the threads 173 of the firing shaft 171. Rather, the firing nut 185 is sitting in an idle position and the firing shaft 171 is rotating within the threaded aperture 169 defined in the firing nut 185. As discussed in greater detail below, the firing nut 185 is pushed onto the threads 173 by the closure nut 177 during a later portion of its clamping stroke.

[0120] Referring primarily now to FIG. 9, the closure nut 177 further comprises a distally-extending switch arm 184. When the closure nut 177 is in its proximal position, as illustrated in FIG. 9, the switch arm 184 is not in contact with the slidable proximal gear 185. During the distal movement of the closure nut 177, the switch arm 184 contacts the proximal gear 185, as illustrated in FIG. 10. As can be seen in FIG. 10, the anvil portion 175 has not yet reached its fully-closed position when the switch arm 184 initially makes contact with the proximal gear 185. Thus, the closure nut 177 engages the proximal gear 185 prior to completing its clamping stroke. As the closure nut 177 is moved further distally to complete its clamping stroke, the closure nut 177 displaces the proximal gear 185 distally along the splined portion 168 of the firing shaft 171. The distal displacement of the proximal gear 185 displaces a push spring 181, which is positioned intermediate the proximal gear 185 and the firing nut 186, distally. Moreover, the distal displacement of the push spring 181 displaces the firing nut 186 distally and into engagement with the threads 173. The threads 189 of the firing nut 186 comprise a distal-most thread 188 which can initiate the threaded engagement between the firing nut 186 and the firing shaft 171.

[0121] Upon comparing FIGS. 10 and 11, it can be appreciated that the spring 181 can become compressed when it is being utilized to push the firing nut 186 distally as described above. In such instances, the pushing force between the proximal gear 185 and the firing nut 186 can increase as the proximal gear 185 is moved distally toward the firing nut 186. In at least one instance, the displacement of the proximal gear 185 can be linearly proportional to the force that the spring 181 applies to the firing nut 186.

The force applied to the firing nut 186 by the spring 181 can increase until the threads 189 of the firing nut 186 catch on the threads 173 and, as a result, the firing nut 186 is pushed distally by the firing shaft 171. Once the firing nut 186 is threadably engaged with the threads 173, the firing nut 186 can pull away from the spring 181, as illustrated in FIG. 12.

[0122] As a result of the above, the clamping operating mode can initiate the firing operating mode before the clamping operating mode has been completed. In at least one instance, it may be desirable to initiate the staple firing operating mode toward the end of the clamping operating mode such that the staples 81 are not fired until the anvil portion 175 has been at least suitably positioned. Moreover, the surgical instrument system 150 can comprise a sensor system, for example, configured to detect when the staple firing operating mode has been initiated, or is about to be initiated, and pause the electric motor which is driving the input shaft 161. Such a sensor system can be configured to detect the position of the closure nut 177, the firing nut 186, the proximal gear 185, and/or the spring 181, for example. In at least one such instance, the electric motor can be paused to allow the surgeon to assess whether they want to proceed with firing the staples into the tissue or re-open the anvil portion 175 to reposition the end effector 170. In at least one instance, the surgeon can be provided with two switches to selectively operate - a first button which will re-start the electric motor and proceed with the firing stroke or a second button which will reverse the electric motor to re-open the anvil portion 175, for example. The first button can be green, for example, and the second button can be red, for example. The first button can include indicia such as "GO FORWARD" thereon while the second button can have other indicia such as "GO BACK" thereon, for example. Such switches can be positioned on a remote control console and/or the handle of the surgical instrument, depending on the circumstances.

[0123] After the advancement of the closure nut 177 has initiated the firing operating mode by pushing the firing nut 186 onto the thread 173 of the firing shaft 171, as described above, the closure nut 177 will continue to move through its clamping stroke along the thread 172 of the input shaft 161 until the closure nut 177 runs off of the thread 172 and becomes operably disengaged from the input shaft 161. At such point, the anvil portion 175 will be in its fully closed position. Moreover, at such point, the

closure nut 177 will be in an idle condition and the continued rotation of the input shaft 161 to operate the staple firing system will not advance the closure nut 177.

[0124] As described above, the firing nut 186 is advanced distally to eject the staples 81 from the staple cartridge 180. The firing nut 186 can be advanced to the distal end of the end effector 170 to complete a firing stroke, as illustrated in FIG. 12. The thread 173 on the firing shaft 171 can be configured such that the firing nut 186 remains threadably engaged with the firing shaft 171 when the firing nut 186 reaches the end of its firing stroke. In at least one such instance, the firing nut 186, the wedges 183, and/or the cutting member 182 can change the state of a switch 87 positioned at the distal end of the end effector 170 when the firing nut 186 reaches the end of its firing stroke. The switch 87 is in communication with the controller of the surgical instrument system 150 which can reverse the direction of the electric motor to rotate the input shaft 161 in its second direction when the state of the switch 87 is reversed. When the input shaft 161 is rotated in its second direction, the firing nut 186 is retracted toward its unfired position. In addition to or in lieu of the above, the surgical instrument 150 can include a switch which can be actuated by the surgeon to stop and/or reverse the direction of the electric motor.

[0125] Further to the above, referring now to FIG. 12, the firing nut 186 is retracted back to its unfired position to reset the firing system when the electric motor is operated in the second direction. As the firing nut 186 is being retracted, referring now to FIG. 13, the firing nut 186 comes into contact with the spring 181 and pushes the spring 181 proximally. The firing nut 186 contacts the spring 181 before the firing nut 186 runs off of, or disengages from, the thread 173. As the firing nut 186 pushes the spring 181 proximally, the spring 181 pushes the proximal gear 185 and the closure nut 177 proximally such that the closure nut 177 threadably re-engages the thread 172 of the input shaft 161, as illustrated in FIG. 13. The threaded aperture 162 of the closure nut 177 comprises a proximal thread 167 which catches the thread 172 to initiate the threaded engagement between the closure nut 177 and the input shaft 161. Once the closure nut 177 has been threadably re-engaged with the thread 172, the continued rotation of the input shaft 161 in the second direction moves the closure nut 177 proximally in order to cam the anvil portion 175 back into its open position and, as a

result, reset the clamping system. Concurrently, the continued rotation of the input shaft 161 in the second direction can cause the firing nut 186 to be run off of, or become disengaged from, the threads 173 of the firing shaft 171. Once the firing nut 186 has become operably disengaged from the firing shaft 171, the firing system has been reset.

[0126] In use, the anvil portion 175 can be rotated away from its fully clamped position to release the tissue captured between the anvil portion 175 and the staple cartridge 180. Moreover, the anvil portion 175 may be moved between its open position and its closed position to clamp and release tissue, as needed, and/or to position the anvil portion 175 relative to the staple cartridge 180 such that the end effector 170 can be inserted into a patient through a trocar, for example. The pause feature described above can allow the surgical instrument system 150 to be operated in a first operating range to open and close the anvil portion 175 without firing the staples in the staple cartridge 180 and/or incising the tissue.

[0127] In addition to the aspects of the surgical instrument system of FIGS. 1-5 discussed above, the closure nut 77 engages the anvil portion 75 at the proximal end thereof and, as a result, the closure nut 77 may not be able to push the distal end of the anvil portion 75 into its fully-closed position; moreover, the firing nut 86 does not include a camming member which can pull the distal end of the anvil portion 75 into its fully-closed position. As such, the tissue gap between the distal ends of the anvil portion 75 and the staple cartridge 80 may be larger than the tissue gap between the proximal ends of the anvil portion 75 and the staple cartridge 80 which can result in the distal staples not being formed to the correct, or an at least suitable, formed height. Improvements to this arrangement are discussed further below.

[0128] An end effector 270 of a surgical instrument system 250 is illustrated in FIG. 15. The end effector 270 comprises a staple cartridge portion 274 and an anvil portion 275. The end effector 270 further comprises a staple cartridge 280 positioned in the staple cartridge portion 274. Similar to the above, the staple cartridge 280 is readily removable from the staple cartridge portion 274 and readily replaceable with another staple cartridge. Other embodiments are envisioned in which the staple cartridge 280 is not readily removable from the staple cartridge portion 274. The anvil portion 275 is rotatable relative to the staple cartridge 280 between an open position and a closed

position to compress tissue T therebetween. Other embodiments are envisioned in which the staple cartridge portion 274 is rotatable relative to the anvil portion 275. In either event, the end effector 270 is movable between an open configuration and a closed configuration in any suitable manner. In at least one instance, the end effector 270 is moved from its open configuration to its closed configuration by cams 256 and 257 extending from the firing nut 286. More specifically, the cam 257 is configured to enter a longitudinal cam slot 258 defined in the anvil portion 275 and the cam 256 is configured to engage the staple cartridge portion 274 and/or the staple cartridge 280 and co-operatively position the anvil portion 275 relative to the staple cartridge 280 when the firing nut 286 is advanced distally. In other embodiments, the firing nut 286 does not comprise cams to move the end effector 270 between its open configuration and its closed configuration. In at least one such instance, the end effector comprises a closing system which is separate and distinct from the staple firing system of the end effector. The examples provided herein are adaptable to both embodiments.

[0129] The staple cartridge 280 comprises a deck 291 configured to support tissue thereon and a plurality of staple cavities 253 defined in the deck 291. Staples 81, for example, are removably stored in the staple cavities 253. Each staple 81 comprises the same configuration. For instance, each staple 81 can comprise a U-shaped configuration or, alternatively, a V-shaped configuration, for example. A staple having a U-shaped configuration comprises a base and two legs extending from the base which extend in parallel directions to one another. A staple having a V-shaped configuration comprises a base and two legs extending from the base which extend in non-parallel directions to one another. Each staple 81 stored in the staple cartridge 280 is defined by the same unformed height. The unformed height of a staple 81 is the overall height of the staple measured from a plane including the bottom surface of its base to a plane including the tips of its legs. The staples 81 can have an unformed height of 2.0 mm, 2.5 mm, 3.0 mm, 3.5 mm, or 4.0 mm, for example. The staple cartridge 280 further comprises a plurality of staple drivers 284a-284g positioned in the staple cavities 253 which support the staples 81 in the staple cavities 253. The firing nut 286 comprises wedge surfaces 283 defined thereon which are configured to slide underneath the staple drivers 284a-284g and sequentially lift the staple drivers 284a-284g, and the

staples 81 supported thereon, toward the anvil portion 275. Each staple driver 284a-284g comprises a ramp surface 281 defined on the bottom surface thereof which is engaged by the wedge surfaces 283 as the firing nut 286 is advanced distally. The anvil portion 275 comprises a plurality of staple forming pockets 251 defined therein which are configured to deform the staples 81 as they are ejected from the staple cavities 253.

[0130] Further to the above, the anvil portion 275 further comprises a tissue compression surface 292 defined thereon which is configured to compress tissue against the cartridge deck 291 when the anvil portion 275 is moved into its fully closed position. When the anvil portion 275 is in its fully closed position, it may be desirable for the anvil compression surface 292 to be parallel to the cartridge deck 291. In such a position, the gap, i.e., tissue gap, between the anvil compression surface 292 and the cartridge deck 291 is constant along the longitudinal length of the end effector 270. Stated another way, the tissue gap over the proximal-most staple cavity, i.e., tissue gap 255a, is the same as the tissue gap over the distal-most staple cavity, i.e., tissue gap 255g, when the anvil portion 275 is parallel to the staple cartridge 280. Such a parallel position of the anvil portion 275, however, may not always be achievable in some instances. In certain instances, the tissue T positioned between the anvil compression surface 292 and the cartridge deck 291 may be thick and the anvil portion 275 may not reach a parallel position when the anvil portion 275 reaches its final, or fully-clamped, position. Moreover, in some instances, the distal end 259 of the anvil portion 275 may deflect or bend upwardly when the end effector 270 is clamped onto thick tissue, for example. In either event, as illustrated in FIG. 15, the distal end 259 of the anvil portion 275 can be positioned further away from the cartridge deck 291 than the proximal end 258. In such instances, as a result, the tissue gap over the distal-most staple cavity, i.e., tissue gap 255g, is larger than the tissue gap over the proximal-most staple cavity, i.e., tissue gap 255a.

[0131] The firing nut 286 comprises a cutting surface, such as knife 282, for example, configured to transect the tissue positioned intermediate the tissue compression surface 292 and the cartridge deck 291 as the firing nut 286 is advanced distally to drive the staples 81 toward the anvil portion 275, as described above.

[0132] Further to the above, each staple 81 is formed within a forming gap. The forming gap for a staple 81 is the distance between a support surface on the staple driver supporting the staple 81, such as support surfaces 244 on staple drivers 284a-284g, for example, and the corresponding forming pocket 251 defined in the anvil portion 254 when the staple driver has reached its fully-fired position. The staple driver reaches its fully-fired position when the crest, or apex, of the wedges 283 passes under the bottom surface of the staple driver. The apex of the wedges 283 is defined by an apex height 243. As the firing nut 286 is advanced distally, the crest of the wedges 283 sequentially passes under the staple drivers 284a-284g to sequentially eject and deform the staples 81. During the initial portion of the firing nut 286 progression, the wedges 283 lift the drivers 284a toward the anvil portion 275. As the wedges 283 are moving the drivers 284a to their fully-fired positions, the wedges 283 begin to lift the drivers 284b toward the anvil portion 275. As the wedges 283 are moving the drivers 284b to their fully-fired positions, the wedges 283 begin to lift the drivers 284c toward the anvil portion 275, and so forth. In alternative embodiments, the wedges 283 may not begin to lift the drivers 284b until after the drivers 284a have been lifted to their fully-fired positions and, similarly, may not begin to lift the drivers 284c until after the drivers 284b have been lifted to their fully-fired positions, and so forth.

[0133] As discussed above, the forming gap for a staple 81 is defined between the support surface 244 of the driver supporting the staple 81 and the forming pocket 251 positioned opposite the staple 81 when driver has reached its fully-fired position. Referring to FIG. 15, a forming gap distance 254a is defined between the support surface 244 of the staple drivers 284a and the forming pockets 251 positioned opposite the staple drivers 284a. Similarly, a forming gap distance 254g is defined between the support surface 244 of the staple drivers 284g and the forming pockets 251 positioned opposite the staple drivers 284g. The reader should note, however, that the forming gap distances 254a and 254g depicted in FIG. 15 do not represent the fully-fired positions of the staple drivers 284a and 284g. In fact, the staple drivers 284a and 284g are illustrated in unfired positions in FIG. 15. Thus, it should be appreciated that the distances 254a and 254g will shorten as the staple drivers 284a and 284g are lifted toward the anvil portion 275.

[0134] As discussed above, the orientation of the anvil portion 275 can affect the tissue gap between the staple cartridge 280 and anvil portion 275. The orientation of the anvil portion 275 can also affect the forming gaps for the staples 81 within the end effector 270. When the distal end 259 of the anvil portion 275 is positioned further away from the staple cartridge 280 than the proximal end 258, as illustrated in FIG. 15, the forming gaps for the staples 81 at the distal end of the end effector 270 may be larger than the forming gaps for the staples 81 at the proximal end of the end effector 270, absent some compensatory measure. If such a compensatory measure is not undertaken, the distal staples 81 will be formed to a different height than the proximal staples 81. In at least one such instance, the staples 81 may be formed within a height range including the tallest formed staple at the distal end of the end effector 270 and the shortest formed staple at the proximal end of the end effector 270. In some instances, such a formed height range of the staples 81 can be suitable, especially if the gradient amongst the formed staple heights is small. In other instances, the proximal staples 81 may be deformed to a suitable height while the distal staples 81 may not be deformed to a suitable height.

[0135] The end effector 270 is configured to compensate for instances where the anvil portion 275 is not parallel to the staple cartridge 280. Stated another way, the end effector 270 is configured such that there is little, if any, difference in the forming gaps for the staples 81 when the anvil portion 275 has not been closed to a parallel position relative to the deck 291 of the staple cartridge 280. To achieve this result, the support surfaces 244 of the staple drivers 284a-284g can be lifted to different heights in a manner which corresponds to the orientation of the anvil portion 275. For instance, the support surfaces 244 of the staple drivers 284a are lifted to a first height relative to the cartridge deck 291 and the support surfaces 244 of the staple drivers 284b are lifted to a second height relative to the cartridge deck 291 which is greater than the first height. Similarly, the support surfaces 244 of the staple drivers 284c are lifted to a third height relative to the cartridge deck 291 which is greater than the second height. The arrangement of the first height, the second height, and the third height is consistent with an angled anvil portion 275. This arrangement further includes the support surfaces 244 of the staple drivers 284d which are lifted to a fourth height that is greater than the

third height, the support surfaces 244 of the staple drivers 248e which are lifted to a fifth height that is greater than the fourth height, the support surfaces 244 of the staple drivers 248f which are lifted to a sixth height that is greater than the fifth height, and the support surfaces 244 of the staple drivers 248g which are lifted to a seventh height that is greater than the sixth height, for example. The support surfaces 244 extend above the cartridge deck 291 when the staple drivers 284a-284g are in their fully-fired positions; however, alternative embodiments are envisioned where some of the support surfaces 244 or all of the support surfaces 244 may not extend above the deck 291.

[0136] As discussed above, the staple drivers 284a-284g are lifted to different heights. The first lift height of the support surfaces 244 is equal to the sum of the apex height 243 of the wedges 283 and the driver height 241a of the staple drivers 284a. Similarly, the second lift height of the support surfaces 244 is equal to the sum of the apex height 243 of the wedges 283 and the driver height 241b of the staple drivers 284b. While the apex height 243 of the wedges 283 is the same for the first lift height and the second lift height, the driver height 241a is shorter than the driver height 241b and, as a result, the first lift height is shorter than the second lift height. Similarly, the third lift height of the support surfaces 244 is equal to the sum of the apex height 243 of the wedges 283 and the driver height 241c of the staple drivers 284c, which is taller than the driver height 241b of the staple drivers 284b. Along these lines, the driver height 241d of the staple drivers 284d is taller than the driver height 241c of the staple drivers 284c, the driver height 241e of the staple drivers 284e is taller than the driver height 241d of the staple drivers 284d, the driver height 241f of the staple drivers 284f is taller than the driver height 241e of the staple drivers 284e, and the driver height 241g of the staple drivers 284g is taller than the driver height 241f of the staple drivers 284f.

[0137] Each of the staple support surfaces 244 comprises a trough, or groove, defined in the top of a driver 284a-284g. Each trough is configured to receive the base of a staple 81. The troughs are configured to closely receive the bases of the staples 81 such that there is little, if any, relative lateral movement between the staple bases and the support surfaces 244. Further to the above, the forming distances for the staples 81 is measured from the bottom of the troughs to the top of the corresponding forming pockets 251 defined in the anvil portion 275. Each trough comprises a

substantially U-shaped, or rounded bottom, configuration; however, any suitable configuration can be used, such as a V-shaped, or angled bottom, for example. In either event, each trough can comprise a cradle for supporting a staple 81.

[0138] As discussed above, the staple support surfaces 244 of the staple drivers 284a-284g are lifted to different heights in order to eliminate, or at least mitigate, differences in the forming gaps for the staples 81 between the staple support surfaces 244 and the anvil forming pockets 251. In certain embodiments, it is desirable for all of the staples of the staple cartridge 280 to be formed to the same, or at least substantially the same, formed height. In other embodiments, it is desirable to form all of the staples in a first longitudinal row to a first formed height and all of the staples in a second longitudinal row to a second formed height which is different than the first formed height. The examples provided above can be adapted to such embodiments. For instance, a first set of staple drivers having a first range of driver heights can be used to deploy a first longitudinal row of staples and a second set of staple drivers having a second range of driver heights can be used to deploy a second longitudinal row of staples wherein the second range of driver heights is different than the first range of driver heights. In at least one such instance, the second range of driver heights can be taller than the first range of driver heights. In certain embodiments, the first set of staple drivers are not connected to the second set of staple drivers; however, embodiments are envisioned in which a driver from the first set of staple drivers is connected to a driver from the second set of staple drivers. In at least one instance, two or more drivers within the same longitudinal row can be connected to each other.

[0139] Further to the above, embodiments are envisioned which comprise three or more longitudinal rows of staples which are formed to different formed heights utilizing different forming gaps. In at least one embodiment, the forming gap for the first row of staples is at least partially determined by a first wedge 283, the forming gap for the second row of staples is at least partially determined by a second wedge 283, and the forming gap for the third row of staples is at least partially determined by a third wedge 283. In such an embodiment, the apex height 243 of the first wedge 283 is different than the apex height 243 of the second wedge 283. Similarly, the apex height 243 of

the third wedge 283 is different than the apex height 243 of the first wedge 283 and the second wedge 283.

[0140] In various instances, the staples in a first longitudinal row of staples can have a first undeformed height and the staples in a second longitudinal row of staples can have a second undeformed height which is different than the first undeformed height. Similarly, the staples in a third longitudinal row of staples can have a third undeformed height which is different than the second undeformed height.

[0141] As illustrated in FIG. 15, the staple cartridge 280 comprises two staple drivers 284a, two staple drivers 284b positioned distally with respect to the staple drivers 284a, two staple drivers 284c positioned distally with respect to the staple drivers 284b, two staple drivers 284d positioned distally with respect to the staple drivers 284c, two staple drivers 284e positioned distally with respect to the staple drivers 284d, two staple drivers 284f positioned distally with respect to the staple drivers 284e, and two staple drivers 284g positioned distally with respect to the staple drivers 284f which are arranged in a single longitudinal row. Other embodiments are envisioned in which the staple cartridge 280 does not comprise staple drivers having the same driver height within the same longitudinal row. In at least one such embodiment, each staple driver within a longitudinal row has a different driver height. Various other embodiments are envisioned which comprise any suitable arrangement of staple drivers in any suitable pattern.

[0142] The driver heights of the drivers 284a-284g have a linear gradient. The drivers 284g are taller by a height X than the drivers 284f, the drivers 284f are taller by the height X than the drivers 284e, the drivers 284e are taller by the height X than the drivers 284d, and so forth. In various alternative embodiments, the driver heights of the drivers 284a-284g can have any other suitable gradient, such as a geometric gradient, for example.

[0143] As described above, the drivers 284a-284g are illustrated in their unfired, or unlifted, positions in FIG. 15. As also illustrated in FIG. 15, the drivers 284a-284g are supported in their unfired positions within the staple cartridge 280 such that the tips of the staples 81 are positioned flush with, or at least nearly flush with, the cartridge deck 291. In such instances, the tips of the staples 81 may be positioned flush with the

cartridge deck 291, positioned slightly below the cartridge deck 291, and/or positioned slightly above the cartridge deck 291 when the staple drivers 284a-284g are in their unfired positions. In alternative embodiments, a significant portion of the staples 81 can extend above the cartridge deck 291 when the staple drivers 284a-284g are in their unfired positions. In at least one such embodiment, an adjunct material can be positioned over the cartridge deck 291 and the tips of the staples 81 can be embedded in the adjunct material prior to the staples 81 being lifted by the staple drivers 284a-284g. Various adjunct materials can include a tissue thickness compensator, a buttress material, and/or any suitable layer, for example. The entire disclosure of U.S. Patent No. 8,393,514, entitled SELECTIVELY ORIENTABLE IMPLANTABLE FASTENER CARTRIDGE, which issued on March 12, 2013, is incorporated by reference herein.

[0144] In certain alternative embodiments, although not illustrated, some of the staples 81 may extend above the cartridge deck 291 while some of the staples 81 may not extend above the cartridge deck 291 when the staple drivers 284a-284g are in their unfired positions. In at least one such embodiment, the proximal staples 81 are positioned below the cartridge deck 291 while the distal staples 81 are positioned above the cartridge deck 291 when the staple drivers 284a-284g are in their unfired positions. The staple drivers 284a-284g can be positioned and arranged such that there is a height gradient between the initial, or unfired, position of the proximal-most staple 81 and the initial, or unfired, position of the distal-most staple 81 of a longitudinal row of staples when the staple drivers 284a-284g are in their unfired positions. This gradient is a linear gradient; however, alternative embodiments are envisioned in which the gradient comprises a geometric gradient, for example.

[0145] Further to the above, alternative embodiments are envisioned in which the staple drivers 284a-284g are stored within the staple cartridge 280 such that the bottom drive surfaces thereof are aligned with one another when the staple drivers 284a-284g are in their unfired, or unlifted, positions. In such instances, the staples 81 are supported at different distances relative to the cartridge deck 291. Such initial positioning of the staple drivers 284a-284g does not affect the forming gaps for the staples 81 discussed above as the forming gaps are set by the final position of the staple drivers 284a-284g.

[0146] Further to the above, the cartridge deck 291 of the staple cartridge 280 comprises a flat, or an at least substantially flat, surface; however, alternative embodiments are envisioned in which the cartridge deck 291 is not flat. In at least one embodiment, the distal end of the cartridge deck 291 is taller than the proximal end of the cartridge deck 291. In at least one such embodiment, the cartridge deck 291 slopes linearly between the proximal end and the distal end. In other embodiments, the cartridge deck 291 slopes geometrically between the proximal end and the distal end. In various embodiments, the cartridge deck 291 comprises longitudinal steps having different heights. For instance, the cartridge deck 291 can comprise a first longitudinal step which is aligned with a first longitudinal row of staple cavities, a second longitudinal step which is aligned with a second longitudinal row of staple cavities, and a third longitudinal step which is aligned with a third longitudinal row of staple cavities, for example. The transition between adjacent longitudinal steps can be a vertical wall or a sloped, or angled, wall, for example.

[0147] As discussed above, the staples 81 in the staple cartridge 280 have the same, or at least substantially the same, unformed height. As also discussed above, the unformed height of the staples in a first row can be different than the unformed height of the staples in a second row. In certain embodiments, the staples within a longitudinal row can have different unformed heights. In at least one such embodiment, the proximal-most staple in the row can have a first unformed height and the distal-most staple in the row can have a second unformed height. In such an embodiment, the staples between the proximal-most staple and the distal-most staple can progressively increase in height. The staples can increase in height between the proximal end and the distal end of the end effector according to a gradient. In at least one instance, the gradient is a linear gradient, for example. In certain instances, the gradient is a geometric gradient, for example.

[0148] Embodiments comprising staples having different unformed heights within a row of staples can be used in conjunction with staple drivers having different driver heights. In at least one embodiment, the proximal-most staple in a row can be the shortest staple in the row and can be driven by the shortest staple driver, for example. Moreover, in such an embodiment, the distal-most staple can be the tallest staple in the

row and can be driven by the tallest staple driver, for example. In at least one embodiment, the shortest staples in a row are paired with the shortest staple drivers and the tallest staples in a row are paired with the tallest staple drivers, and so forth. In certain other embodiments, the shortest staples in a row are not paired with the shortest staple drivers and the tallest staples are not paired with the tallest staple drivers. For instance, the shortest staples can be driven by the tallest staple drivers and the tallest staples can be driven by the shortest staple drivers, for example. In the end, the staples and the staple drivers can be paired in any suitable manner to properly fasten the tissue.

[0149] As discussed above, the staples 81 in the staple cartridge 280 have the same, or at least substantially the same, configuration, i.e., a V-shaped configuration, for example. Alternative embodiments are envisioned in which the staples in a row of staples have different configurations. In at least one embodiment, each of the staples in a row of staples can have a V-shaped configuration but the angle of the staple legs that forms the V-shaped configuration can be different for at least some of, if not all of, the staples. For instance, the proximal-most staple in a row of staples can have a narrow V-shaped configuration and the distal-most staple in the row of staples can have a wide V-shaped configuration, for example. In at least one such instance, the angle of the staple legs can increase proximally to distally. In other instances, the angle of the staple legs can decrease proximally to distally. In either event, the angle of the staple legs can affect the formed height of the staples and can be selectively used to secure the tissue in a desired manner.

[0150] Another unformed configuration of a staple can include a W-shaped staple, for example. A W-shaped staple can comprise a V-shaped staple with a portion of the staple base extending upwardly to create a substantially W-shaped configuration. W-shaped staples are sometimes referred to as M-shaped or gull-winged staples. The entire disclosure of U.S. Patent No. 5,725,554, entitled SURGICAL STAPLE AND STAPLER, which issued on March 10, 1998, is incorporated by reference herein. In at least one embodiment, a longitudinal row of staples can include V-shaped staples at the proximal end of the staple row and W-shaped staples at the distal end of the staple row,

for example. The W-shaped staples can form differently than the V-shaped staples and may be more suitable for stapling tissue in larger forming gaps, for example.

[0151] A surgical instrument system 350 is illustrated in FIGS. 16-20. The surgical instrument system 350 includes a shaft assembly 360 and an end effector 370 extending from the shaft assembly 360. In this embodiment, as well as others, the shaft assembly 360 extends from a housing of the type described above which is configured to be attached to a robotic surgical system, such as the DAVINCI robotic surgical system manufactured by Intuitive Surgical, Inc., for example. Alternatively, the shaft assembly 360 can extend from a handle of a surgical instrument configured to be grasped and operated by a surgeon, for example. Such hand-held surgical instruments may employ one or more electric motors to generate the closure and firing motions or the closure and firing motions may be manually generated by manipulating one or more triggers or actuation arrangements supported on the handle or housing. All of such variations may be effectively employed with the surgical instrument system 350 and may be encompassed by the Claims appended hereto. Further details of such handles, housings and shaft assemblies are found in the various disclosures that have been herein incorporated by reference. Similar to the above-described arrangements, the shaft assembly 360 may also comprise at least one articulation joint, such as articulation joint 364, for example, which is configured to permit the end effector 370 to be articulated about at least one axis of rotation. Other embodiments are envisioned in which the shaft assembly 360 does not comprise an articulation joint.

[0152] Referring primarily to FIG. 16, the end effector 370 comprises a staple cartridge portion 374 and an anvil portion 375. A staple cartridge 380 is positioned in the staple cartridge portion 374. The staple cartridge 380 is removable from the staple cartridge portion 374 such that it can be readily replaced with another staple cartridge; however, other embodiments are envisioned in which the staple cartridge 380 is not readily replaceable. The anvil portion 375 is movable relative to the staple cartridge portion 374 about anvil trunnions or pivot pins 376 extending from the anvil portion 375. See FIGS. 18, 20 and 22. For example, an anvil trunnion 376 extends laterally from each lateral side of the anvil portion 375 to be movably received within a corresponding opening or slot (not shown) that is formed in the staple cartridge portion 374.

Alternative embodiments are envisioned in which the staple cartridge portion 374 is “rotatable”, “movable” or “pivotable” relative to the anvil portion 375. The anvil portion 375 is movable between an open position (FIGS. 16-18) and a fully-closed position (FIGS. 19-22) by a closure drive as described in greater detail further below. Staples, such as staples 381, for example, are removably stored in the staple cartridge 380 and can be ejected from the staple cartridge 380 by a firing drive and deformed against the anvil portion 375, as also described in greater detail below.

[0153] Referring primarily to FIGS. 16-18, the shaft assembly 360 includes a rotatable input shaft 361. As described in greater detail further below, the input shaft 361 is utilized to operate the closing drive and the firing drive. The input shaft 361 is rotatably mounted in a “ground” or “spine” portion 390 of the shaft assembly 360 by one or more bearings 391 and comprises a threaded portion 372. See FIG. 16. The closure drive comprises a closure nut 377 which includes a threaded aperture 362 defined therein. The closure nut 377 further comprises closure pins 378 extending from opposite sides thereof which are slidably positioned in closure slots 379 defined in opposite sides of the anvil portion 375.

[0154] The threaded aperture 362 of the closure nut 377 is threadably engaged with the threaded portion 372 of the input shaft 361 such that, when the input shaft 361 is rotated in a first direction, the closure nut 377 is displaced distally toward the end of the end effector 370 in a distal direction “DD” and, when the input shaft 361 is rotated in a second, or opposite, direction, the closure nut 377 is displaced proximally toward the housing in a proximal direction “PD”, as illustrated in FIGS. 16-18. The interaction between the closure pins 378 of the closure nut 377 and the sidewalls of the closure slots 379 prevent the closure nut 377 from rotating with the input shaft 361 and, as a result, the rotational motion of the input shaft 361 is converted to longitudinal translation of the closure nut 377.

[0155] In use, the closure nut 377 is advanced distally by the input shaft 361 to move the anvil portion 375 between an open position (FIGS. 16-18) and fully-closed positions (FIGS. 19-22). In such instances, the closure pins 378 engage the bottom sidewalls of each closure slot 379 and cam the anvil portion 375 toward the staple cartridge 380. Referring primarily to FIGS. 19 and 20, it can be observed that in at least the illustrated

embodiment, the closure slots 379 have a somewhat arcuate shape. Stated another way, for example, each of the closure slots 379 has a proximal slot portion 392 and a distal slot portion 394. The point or location where the proximal slot portion 392 transitions to the distal slot portion 394 is referred to herein and the apex 395. See FIGS. 20 and 22. When the closure nut 377 is in the proximal-most position (e.g., the “beginning position” - FIGS. 16-18), the anvil portion 375 is held in the open position. When the closure nut 377 is in that beginning position, the closure pins 378 are at the proximal end of the proximal slot portions 392 of each closure slot 379. The mechanical advantage attained between the closure pins 378 and the closure slots 379 and by virtue of the engagement of the anvil trunnions 376 with the cartridge portion 374 will serve to retain the anvil portion 375 in the open orientation. When the surgeon desires to close the anvil portion 375, the input shaft 361 is rotated in a first direction to drive the closure nut 377 distally. As the closure pins 378 advance distally through the proximal slot portions 392, the anvil portion 375 starts camming closed. Once the closure pins 378 reach the apex 395, the anvil portion 375 is retained in the “fully closed” or “fully clamped” position. Continued rotation of the input shaft 361 will result in the continued distal advancement of the closure nut 377. As the closure nut 377 continues to move distally, the closure pins 378 continue to advance distally within the distal slot portions 394 all the while maintaining the camming or closure force on the anvil portion 375 to positively retain it in the closed position. When the surgeon desires to return the anvil portion 375 to the open position, the input shaft 361 is rotated in the opposite or second direction which drives the closure nut 377 proximally back to its proximal-most or beginning position. Because the closure nut 377 is positively engaged with the input shaft 361 or, stated another way, because the closure nut 377 is threadably engaged with the threads 372 on the input shaft 361, a positive closure force is maintained on the anvil portion 375 throughout the closure and firing processes. Such arrangement may therefore avoid anvil movement or chatter that may be encountered by prior arrangements wherein the closure nut is loosely journaled on a portion of the input shaft during the firing process.

[0156] The input shaft 361 further comprises a distal gear 365 fixedly mounted to the distal end thereof. When the input shaft 361 is rotated in the first direction, the distal

gear 365 rotates in the first direction and, when the input shaft 361 is rotated in the second direction, the distal gear 365 rotates in the second direction. The firing drive of the end effector 370 comprises a rotatable firing shaft 371 which is rotatably mounted in the staple cartridge portion 374 by one or more bearings, such as bearing 363, for example. The firing shaft 371 comprises a proximal gear 385, a proximal threaded portion 396 and a distal threaded portion 397. In the illustrated embodiment, the proximal thread portion 396 has a first thread "lead" that differs from the second thread lead of the distal thread portion 397 as will be discussed in further detail below. The proximal gear 385 of the firing shaft 371 is meshingly engaged with the distal gear 365 of the input shaft 361 such that the input shaft 361 can drive the firing shaft 371 when the input shaft 361 is rotated. The proximal gear 385 is keyed onto the firing shaft 371 such that rotation of the proximal gear 385 results in rotation of the firing shaft 371.

[0157] The firing drive further comprises a firing nut 386 which includes an axial aperture 389 and a drive member 398. In the illustrated embodiment, the drive member 398 is received within an aperture 399 in the firing nut 386 and may be biased into driving engagement with the thread portions on the firing shaft 371 by a biasing member or spring (not shown). The firing nut 386 further comprises wedges 383 defined thereon which are configured to slide under the staple drivers and lift the staples 381 toward the anvil portion 375 to staple tissue positioned between the staple cartridge 380 and the anvil portion 375. The firing nut 386 also comprises a cutting member 382 defined thereon which is configured to incise the stapled tissue. When the firing nut 386 is threadably engaged with the distal thread portion 397 of the firing shaft 371 and the input shaft 361 is rotated in the first direction, the firing nut 386 is displaced distally toward the end of the end effector 370 to eject the staples 381 from the staple cartridge 380 and incise the tissue. When the firing nut 386 is threadably engaged with the distal threaded portion 397 of the firing shaft 371 and the input shaft 361 is rotated in the second direction, the firing nut 386 is displaced proximally. Once the firing nut 386 threadably re-engages with the proximal thread portion 396 on the firing shaft 371, the proximal advancement of the firing nut 386 slows as it approaches its starting position—due to the smaller or tighter lead of the proximal thread portion 396.

[0158] The above being understood, the surgical instrument system 350 employs a rotary driven closure system and firing system that is an improvement over the closure and firing system disclosed in connection with the surgical instrument system of FIGS. 1-5. As will become further apparent as the present Detailed Description proceeds, the closure and firing systems of surgical system 350 serve to positively retain the anvil portion 375 in a closed position during the entire firing cycle or stroke in such a manner as to avoid undesirable “chattering” of the anvil portion during firing.

[0159] Referring again to FIGS. 16-18, the closure nut 377 is movable from a proximal, “beginning” position to a distal “ending” position during a clamping stroke in order to move the anvil portion 375 from its open position to its fully-closed position. When the closure nut 377 is in its proximal position, the closure nut 377 is threadably engaged with the threads 372 defined on the input shaft 361. See FIG. 17. As a result of the above, the initial rotation of the input shaft 361 in the first direction can immediately displace the closure nut 377 distally to begin closing the anvil portion 375. As the closure nut 377 moves distally, the closure pins 378 move in the proximal portions 392 of the closure slots 379 until they reach the apex 395 at which point the anvil portion 375 is fully closed or clamped. Continued rotation of the input shaft 361 which is required to distally advance the firing nut 386 will cause the closure nut 377 to continue to advance distally on the input shaft 361. Interaction of the closure pins 378 within the distal slot segments 394 in the anvil portion 375 will retain the anvil portion 375 in the fully-closed position 375 during the completion of the firing stroke.

[0160] Notably, further to the above, the rotation of the input shaft 361 being utilized to initiate the clamping stroke of the closure nut 377 is being transferred to the firing shaft 371 via the meshed gears 365 and 385. As the firing shaft 371 is initially rotated, the firing nut 386 is in threaded engagement with the proximal thread portion 396 on the firing shaft 371 which has a tighter or smaller thread lead than the thread lead of the distal thread portion 397. As a result, when the firing nut 386 is in threaded engagement with the proximal thread portion 397, the firing nut 386 moves slowly through a “neutral firing range” designated as “NFR” in FIG. 19. When the firing nut 386 is in the neutral firing range NFR, the firing nut 386 has not advanced distally far enough to start to incise tissue and fire staples. In various arrangements, however, the firing nut

386 may be configured to slidably engage a portion of the anvil portion 375 to positively retain the anvil portion 375 in the closed position and even maintain the spacing of the anvil portion 375 relative to the staple cartridge 380 as the firing nut 386 is advanced distally through the end effector 370. For example, the firing nut 386 may incorporate an I-beam like shape as described in various disclosures that have been herein incorporated by reference that is configured to slidably engage the anvil portion 375. However, because the closure nut 377 maintains a positive closure force on the anvil portion 375, in at least some embodiments, the firing nut 386 is not configured to positively engage the anvil portion 375 so that the firing nut 386 does not apply any closure or clamping motion to the anvil portion.

[0161] Referring primarily now to FIGS. 19 and 20, continued rotation of the input shaft 361 and the firing shaft 371 will drive the firing nut 386 to the distal end of the proximal threads 396. Once the drive member 398 on the firing nut 386 engages the distal threads, continued rotation of the firing shaft 377 will result in the distal advancement of the firing nut 386 through the end effector 370. As a result of the above, the clamping operating mode is completed before the actual staple firing mode is commenced. In addition, the anvil portion 375 is positively maintained in the closed position during the entire firing process. Moreover, the surgical instrument system 350 can comprise a sensor system, for example, configured to detect when the staple firing operating mode has been initiated, or is about to be initiated, and pause the electric motor which is driving the input shaft 361. Such a sensor system can be configured to detect the position of the closure nut 377, the firing nut 386, and/or the proximal gear 385 for example. In at least one such instance, the electric motor or other drive actuator arrangement can be paused to allow the surgeon to assess whether they want to proceed with firing the staples into the tissue or re-open the anvil portion 375 to reposition the end effector 370. In at least one instance, the surgeon can be provided with two switches to selectively operate - a first button which will re-start the electric motor and proceed with the firing stroke or a second button which will reverse the electric motor to re-open the anvil portion 375, for example. The first button can be green, for example, and the second button can be red, for example. The first button can include indicia such as "GO FORWARD" thereon while the second button can have

other indicia such as “GO BACK” thereon, for example. Such switches can be positioned on a remote control console and/or the handle of the surgical instrument, depending on the circumstances.

[0162] As described above, the firing nut 386 is advanced distally to eject the staples 81 from the staple cartridge 380. The firing nut 386 can be advanced to the distal end of the end effector 370 to complete a firing stroke, as illustrated in FIGS. 21 and 22. The distal thread portion 397 on the firing shaft 371 can be configured such that the drive member 398 in the firing nut 386 remains threadably engaged with the distal threads 397 on the firing shaft 371 when the firing nut 386 reaches the end of its firing stroke. In at least one such instance, the firing nut 386, the drive member 398, the wedges 383, and/or the cutting member 382 can change the state of a switch positioned at the distal end of the end effector 370 when the firing nut 386 reaches the end of its firing stroke. The switch is in communication with the controller of the surgical instrument system 350 which can reverse the direction of the electric motor to rotate the input shaft 361 in its second direction when the state of the switch is reversed. When the input shaft 361 is rotated in its second direction, the firing nut 386 is retracted toward its unfired position. In addition to or in lieu of the above, the surgical instrument 350 can include a switch which can be actuated by the surgeon to stop and/or reverse the direction of the electric motor.

[0163] In use, the anvil portion 375 can be moved away from its fully clamped position to release the tissue captured between the anvil portion 375 and the staple cartridge 380. Moreover, the anvil portion 375 may be moved between its open position and its closed position to clamp and release tissue, as needed, and/or to position the anvil portion 375 relative to the staple cartridge 380 such that the end effector 370 can be inserted into a patient through a trocar, for example. The pause feature described above can allow the surgical instrument system 350 to be operated in a first operating range to open and close the anvil portion 375 without firing the staples in the staple cartridge 380 and/or incising the tissue.

[0164] A portion of another shaft assembly 460 that may be employed in connection with the various end effectors disclosed above is illustrated in FIGS. 23-28. As can be seen in those Figures, the shaft assembly 460 includes a threaded rotary input shaft

461. The threaded rotary input shaft 461 is configured to receive rotary input motion from a motor that is located in a handle or housing that is attached to the shaft assembly 460 or a portion of a robotic system that is attached to the shaft assembly 460. In alternative embodiments, the rotary input shaft 461 may be manually actuated by means of a manual trigger or triggers that are supported on a handle from which the shaft assembly 460 protrudes. The shaft assembly 460 includes a hollow outer shaft 510 through which the rotary input shaft 461 extends. A base member 512 is supported in the outer shaft 510 as shown. The base member 512 may be attached to the handle or housing as well as the surgical staple portion of the end effector and effectively function as a “spine” or mechanical “ground” through at least a portion of the shaft assembly 460. The base member 512 also serves as a guide for slidably supporting an actuator member 469 within the outer shaft 510. For example, as can be seen in FIGS. 23-28, the base member 512 comprises an axially extending guide trough 514 for receiving a bottom portion 522 of a guide 520 that is attached to the actuator member 469. When viewed from an end, the guide 520 roughly resembles a “T-shape”. As shown, one side of the base member 512 comprises a lateral guide slot 516 for receiving a lateral arm portion 524 of the guide 520.

[0165] As shown in FIGS. 23-28, the actuator member 469 comprises a closure nut assembly 477 that is configured to impart opening and closing motions to an anvil portion in the manner described herein. The closure nut assembly 477 comprises a “clam-shell” arrangement comprising a first closure nut segment 530 and a second closure nut segment 550 that are pivotably supported on a pivot rod or pivot member 560 that is attached to the guide 520. Such arrangement enables the closure nut segments 530, 550 to pivot from an engaged configuration (FIGS. 23-26) to a disengaged configuration (FIGS. 27 and 28). The first closure nut segment 530 includes a first thread engagement member 532 and the second closure nut segment 550 includes a second thread engagement member 552. When the closure nut assembly 477 is in the engaged configuration, the first thread engagement member 532 and the second thread engagement member 552 engage the input shaft 461 such that rotation of the input shaft 461 results in the axial movement of the closure nut assembly 477. It will be appreciated that one, and preferably two, laterally extending pivot pins

are attached to a structure that extends from the guide 520 and or the pivot member 560 and are received in the corresponding anvil slots in the manners described above. Thus, axial movement of the closure nut assembly 477 will result in the opening and closing of the anvil portion in the manners described above.

[0166] Referring to FIGS. 23 and 24, the selective movement of the first and second closure nut segments 530 and 550 between the engaged and disengaged configurations is controlled by a solenoid or switching member 570. In the illustrated arrangement, for example, the solenoid 570 includes a solenoid body portion 572 that is attached to the first closure nut segment 530. A solenoid rod 574 is movably supported within the body portion 572 and the first closure nut segment 530 to be movably received in the second closure nut segment 550. As can be seen in FIGS. 23-28, the solenoid rod 574 has a head 576 that is movably received in U-slot 556 in the second closure nut portion 550.

[0167] Still referring to FIGS. 23 and 24, a pair of base contacts 518 are located in the base member 512 and open into the guide trough 514 to facilitate sliding electrical contact with solenoid contacts 578. The base contacts 518 are electrically coupled to a controller by leads 519 that extend through the base member 512 back to the handle, housing or other portion for the robotic system whichever the case may be. For example, the controller may cooperate with a trigger or other switching mechanism that can be used to control the supply of electrical current to the base contacts 518 and ultimately to the solenoid 570 through leads 579 that extend between the solenoid 570 and the solenoid contacts 578. As can be seen in FIG. 23, in at least one arrangement, the range of axial movement of the closure nut assembly 477 may be defined by the length "L" of the base contacts 518, for example. In one arrangement, the solenoid 570, in a de-energized state, is biased into the engaged position wherein the solenoid rod 572 is retained in the retracted state shown in FIGS. 23-26. When the solenoid 570 is energized, the solenoid rod 572 is laterally displaced toward the second closure segment 550 to thereby pivot the closure nut assembly 477 to the disengaged configuration (FIGS. 27 and 28). In alternative arrangements, the solenoid may be biased into the disengaged configuration when the solenoid is de-energized and then is moved to the engaged configuration when the solenoid is energized. In still other

arrangements, the solenoid must be positively actuated between the engaged and disengaged configurations (i.e., no biasing member is employed in the solenoid to bias the solenoid into one of the described configurations).

[0168] When the closure nut assembly 477 is in the disengaged configuration, rotation of the input shaft 461 will not be transferred to the closure nut assembly 477. Thus, in one arrangement, the closure nut 477 may be configured in the engaged position to close the anvil portion. Once the anvil portion has been moved to the closed position (which may be detected by sensors in the anvil portion and or the surgical staple portion), the controller may then de-energize the motor as well as the solenoid which will to move the closure nut assembly 477 to the disengaged configuration. At that point, the controller may once again activate the motor to rotate the input shaft 461 to commence the firing operation in the above-described manner without actuating or axially moving the closure nut assembly 477.

[0169] The illustrated surgical instrument system depicted in FIGS. 23-28 also employs a locking system 580 to positively lock the closure nut assembly in position (e.g., prevent further axial movement) when it is in the distal-most disengaged orientation. As can be seen in those Figures, the locking system 580 comprises a movable lock linkage 582 that includes a distal link 583 that is pivotally pinned to a proximal link 586 by an upstanding central lock pin 587. A proximal end 588 of the proximal link 586 is pivotally pinned to the base member 512 by a proximal pin 589. The distal end 584 of the distal link 583 is pivotally pinned to the guide 520 by a pin 585. Thus, the lock linkage 582 moves between a collapsed configuration (FIG. 23), an aligned “pre-locked” configuration (FIGS. 25 and 26) and a locked configuration (FIGS. 27 and 28).

[0170] As can be seen in FIGS. 23-28, the locking system 580 also comprises a lock arm 590 that is attached to or otherwise protrudes from the closure nut assembly 477 and, in the illustrated embodiment, from the first closure nut segment 530. The lock arm 590 includes a lock pin hole 592 that is configured to retainingly engage and receive a portion of the lock pin 587 therein. As can be seen in FIGS. 24, 26 and 28, the bottom end of the lock pin hole 592 includes a chamfer or tapered portion 594 to facilitate entry of the lock pin 587 therein.

[0171] One method of using the closure nut assembly 477 will now be described. When the clinician desires to close the anvil portion, the input shaft 461 is rotated in a first direction. This rotary motion may be applied to the input shaft 461 by an electric motor, a robotic system or a manually actuatable closure system that is configured to generate rotary motions upon ratcheting or other form of manipulation of a closure trigger or the like. When in that position, the solenoid is biased into the engaged position (by a spring or other biasing arrangement) and remains un-energized. Rotation of the input shaft 461 causes the closure nut assembly 477 to move distally. As was discussed above, the distal movement of the closure nut assembly 477 will result in the closure of the anvil portion by means of the camming interaction between the closure pins and the anvil slots provided in the anvil mounting portion. If the clinician desires to reopen the anvil portion (to reposition the end effector on the desired target tissue or for some other reason), the clinician simply causes the motor or other actuation mechanism to reverse the direction in which the input shaft is rotated (second direction). In any event, once the closure nut assembly 477 has been distally advanced to the position in which the anvil portion is “fully closed” (FIG. 25), the application of the rotary motion to the input shaft 461 is discontinued. This may be manually accomplished by the clinician or, if sensors are employed to detect the position of the closure nut assembly 477 and/or the position of the anvil portion, the control system may “automatically” discontinue application of power to the motor. As can be seen in FIG. 25, when in that fully-closed position, the movable lock linkage is configured in a pre-locked position wherein the end of the lock pin 587 is aligned with the lock hole 592 in the lock arm 590. When in this position, if the clinician desires to open the anvil portion, the motor is simply re-energized to rotate the input shaft 461 in the second direction. If, however, the clinician does not want to reopen the anvil portion and desires to commence the firing stage, the clinician energizes the solenoid to move the closure nut segments to the disengaged configuration (FIGS. 27 and 28). As can be seen in those Figures, when the first closure nut segment 530 is pivoted in the direction of the closure linkage 580, the end of the closure pin 587 enters the hole 592 in the lock arm 590 to positively retain the closure nut assembly 477 in the disengaged position as well as preventing the closure nut assembly 477 from moving axially during the firing sequence. When in that

position, as can be seen in FIG. the links 586 and 584 are in a “buckled” configuration and may abut a portion of the base member and/or inner wall of the outer shaft 510 to add further locking resistance to the closure nut assembly 477. In another arrangement, the control system may “automatically” energize the solenoid 570 when the switching system confirmed that the closure nut assembly 477 and/or the anvil portion has attained the fully closed position. In such case, the closure nut assembly 477 is automatically moved to the disengaged and locked position. Once the firing nut has completed the firing stroke and returned to the start position, switches may be employed to detect its status/position and cause the control system to de-energize the solenoid to permit it to be biased back into the engaged position. Other solenoid arrangements may not include a biasing member to bias the solenoid back to its starting position, but instead require a second signal to move it back to the starting position. In those cases, the control system would send the second signal to the solenoid to cause the closure nut assembly to reengage the input shaft. Thereafter, the control system may automatically energize the motor to rotate the input shaft in the second direction to return the closure nut assembly to its beginning position and thereby return the anvil portion to the open position.

[0172] FIG. 29 depicts a portion of an end effector assembly 1000 of a surgical instrument. The end effector assembly 1000 comprises a first jaw 1010 defining a channel 1011. A staple cartridge 1020 is configured to be seated in the channel 1011. A threaded rod 1030 is rotatably supported in the first jaw 1010 prior to the staple cartridge 1020 being seated in the channel 1011. The threaded rod 1030 extends substantially the length of the first jaw 1010 and is connected to a rotatable drive shaft 1092 in a shaft assembly 1090 of the surgical instrument.

[0173] The threaded rod 1030 is configured to engage the rotatable drive shaft 1092 in any suitable manner. For instance, the threaded rod 1030 comprises a hexagonal proximal end received within a hexagonal coupling in the drive shaft 1092. The rotatable drive shaft 1092 is operably coupled with an electric motor, for example, which can rotate the rotatable drive shaft 1092. The electric motor is positioned in the handle of the surgical instrument and/or a housing of a robotic surgical instrument system, for example.

[0174] The channel 1011 defined by the first jaw 1010 comprises a base 1012 and two sidewalls 1013 extending upwardly from the base 1012. A longitudinal recess 1014 is formed within the base 1012 and is configured to receive at least a portion of the threaded rod 1030. In this embodiment, the threaded rod 1030 is rotatably mounted in the channel 1011. A mounting bracket 1016 is positioned at a distal end of the longitudinal recess 1014 and is configured to provide a bearing to prevent, for instance, the dislodgement and/or lateral translation of the threaded rod 1030. The mounting bracket 1016, discussed in greater detail herein, is grounded to the base 1012. In various instances, the mounting bracket 1016 is integrally formed with the first jaw 1010. In various instances, the mounting bracket 1016 is a separate component that is attached to the first jaw 1010 using an adhesive, welding, and/or a soldering technique, for example; however, any suitable attachment technique could be used.

[0175] Similar to the removable staple cartridge 80, the staple cartridge 1020 is configured to be readily removable from the channel 1011 of the first jaw 1010 after a staple firing stroke such that the spent staple cartridge 1020 can be replaced. The staple cartridge 1020 is configured to be seated in the channel 1011 of the first jaw 1010 as shown. The staple cartridge 1020 comprises a longitudinal slot 1022 configured to receive a tissue cutting knife, as described in greater detail herein. The longitudinal slot 1022 extends from a proximal end of the staple cartridge 1020 toward a distal end of the staple cartridge 1020. The longitudinal slot 1022 provides clearance within the staple cartridge 1020 for the tissue cutting knife. The longitudinal slot 1022 is configured to at least partially receive the threaded rod 1030 such that the body of the staple cartridge 1020 does not interfere with the threaded rod 1030 when the staple cartridge 1020 is seated in the channel 1011. A lateral portion 1024 is formed at a distal end of the longitudinal slot 1022 which is configured to receive the mounting bracket 1016 of the first jaw 1010 when the staple cartridge 1020 is seated in the channel 1011. The longitudinal slot 1022 extends between a top deck surface and a bottom surface of the staple cartridge 1020. That said, the lateral portion 1024 of the longitudinal slot 1022 does not extend through the entirety of the staple cartridge 1020, but could do so in other embodiments.

[0176] As described above, the threaded rod 1030 is rotatably mounted in the first jaw 1010 of the end effector assembly 1000. The threaded rod 1030 terminates in a distal head 1032 positioned at the distal end of the threaded rod 1030. The distal head 1032 is positioned on a distal side of the mounting bracket 1016, while a threaded portion 1034 of the threaded rod 1030 is positioned on a proximal side of the mounting bracket 1016. The threaded portion 1034 extends proximally away from the mounting bracket 1016 along the first jaw 1010. As shown in FIG. 30, the distal head 1032 of the threaded rod 1030 is separated from the mounting bracket 1016 by a bushing member 1018. The bushing member 1018 is configured to provide an interface between the mounting bracket 1016 and the distal head 1032 of the threaded rod 1030. Such an interface, for example, resists abrasion between the mounting bracket 1016 and the distal head 1032 as the threaded rod 1030 is rotated. The bushing member 1018 also prevents axial movement of the distal head 1032 with respect to the mounting bracket 1016 and/or serves as a guide for maintaining the threaded rod 1030 in its proper position.

[0177] The end effector assembly 1000 further comprises a firing member 1040 threadably engaged with the threaded rod 1030. The firing member comprises a cutting element 1042. The firing member 1040 is advanced distally when the threaded rod 1030 is rotated in a first direction, and the firing member 1040 is retracted proximally when the threaded rod 1030 is rotated in a second, opposite, direction.

[0178] Referring now to FIGS. 31 and 32, the firing member 1040 comprises a first portion 1044 configured to engage the first jaw 1010 and a second portion 1046 configured to engage a second jaw of the end effector assembly 1000. The second jaw can be, for example, the anvil 75 of FIGS. 1-5. As the firing member 1040 is advanced distally through the end effector assembly 1000 during a staple firing stroke, at least a portion of the firing member 1040 is configured to travel through the longitudinal slot 1022 of the staple cartridge 1020. The first portion 1044 of the firing member 1040 comprises a camming member 1045 sized to be received within lateral slots 1013 defined within the base 1012 of the first jaw 1010. The lateral slots 1013 secure the firing member 1040 in position and/or maintain the alignment of the firing member 1040 in the first jaw 1010. The second portion 1046 has a similar arrangement in the second

jaw. In addition to providing stability and alignment of the firing member 1040 within the end effector assembly 1000, the engagement of the firing member 1040 with both the first jaw 1010 and the second jaw also maintains a distance between the first jaw 1010 and the second jaw during a staple firing stroke and/or when the end effector assembly 1000 is in a closed configuration.

[0179] The end effector assembly 1000 further comprises a sled 1050. The sled 1050 is configured to engage the threaded rod 1030 when the staple cartridge 1020 is seated in the channel 1011 of the first jaw 1010. Prior to being advanced distally, the sled 1050 is in a proximal, unfired position. The sled 1050 and the firing member 1040 are independent of and unconnected to one another. As the firing member 1040 is advanced distally by the rotation of the threaded rod 1030, the firing member 1040 pushes the sled 1050 distally along the threaded rod 1030. The sled 1050 precedes, or is positioned distally with respect to, the firing member 1040 as the sled 1050 and the firing member 1040 are advanced along the threaded rod 1030. This distal movement results in the sled 1050 contacting staple drivers in the staple cartridge 1020, such as staple drivers 84 of FIGS. 1-5, for example, and driving staples, such as the staples 81 shown in FIGS. 1-5, for example, out of the staple cartridge 1020. After the staple firing stroke has been completed, or at least partially completed, the firing member 1040 is proximally retracted while the sled 1050 remains in a distal position.

[0180] The sled 1050 comprises a first leg 1052 and a second leg 1052 that are configured to fit over top of the threaded rod 1030. The first and second legs 1052 are configured to at least partially surround the threaded rod 1030 when the staple cartridge 1020 is seated in the staple cartridge channel 1011. In the depicted embodiment, the first and second legs 1052 do not extend into the lateral slot 1013 along with the camming member 1045 of the firing member 1040. However, in other instances, the first and second legs 1052 extend into the lateral slot 1013 defined in the base 1012 of the first jaw 1010. The above being said, the sled 1050 is not threadably engaged with the threaded rod 1030. In other embodiments, however, the sled 1050 can be threadably engaged with the threaded rod 1030, as described in greater detail below. In various instances, the sled 1050 can sit on the threaded rod 1030 and slide along the

top of the threaded rod 1030 while, in other instances, the first and second legs 1052 support the sled 1050 such that it does not sit on the threaded rod 1030.

[0181] The sled 1050 further comprises a central portion 1056 and lateral ramps 1054. The central portion 1056 extends upwardly into the longitudinal slot 1022 of the staple cartridge 1020. One of the lateral ramps 1054 extends upwardly into the staple cartridge 1020 on a first side of the longitudinal slot 1022 and the other lateral ramp 1054 extends upwardly into the staple cartridge 1020 on a second, opposite side of the longitudinal slot 1022. The lateral ramps 1054 of the sled 1050 are configured to engage the staple drivers to drive the staples of the staple cartridge 1020 upwardly during a staple firing stroke as discussed in greater detail herein.

[0182] In various instances, the end effector assembly 1000 comprises a locking member configured to be spring-biased into a path of the firing member 1040 when a sled 1050 is not present in the proximal, unfired position before the beginning of the staple firing stroke. In other words, when the sled 1050 is absent and/or not present in the proximal, unfired position, the locking member is configured to prevent distal advancement of the firing member 1040. When the sled 1050 is present in the proximal, unfired position, the locking member is deactivated by the sled 1050 and the firing member 1040 and the sled 1050 can be advanced distally to perform a staple firing stroke.

[0183] As discussed above with respect to FIGS. 29-32, the firing member 1040 and the sled 1050 are discrete elements. However, in certain embodiments, the firing member 1040 and the sled 1050 are interconnected. In other words, at least one of the firing member 1040 and the sled 1050 comprises an attachment member to couple the firing member 1040 and the sled 1050 when the staple cartridge 1020 is seated in the first jaw 1010. In such instances, the firing member 1040 and the sled 1050 are configured to distally travel along the threaded rod 1030 as one unit during a staple firing stroke. Upon the completion of the staple firing stroke, in such instances, the firing member 1040 is configured to disengage from the sled 1050. Such disengagement allows for the firing member 1040 to be retracted proximally to its unfired position while the sled 1050 is left in its distal, fired position. Various staple drive arrangements are discussed in the disclosures of U.S. Patent Application Publication No. 2017/0265954,

filed March 17, 2017, entitled STAPLER WITH CABLE-DRIVEN ADVANCEABLE CLAMPING ELEMENT AND DUAL DISTAL PULLEYS, and U.S. Patent Application Publication No. 2017/0265865, filed February 15, 2017, entitled STAPLER WITH CABLE-DRIVEN ADVANCEABLE CLAMPING ELEMENT AND DISTAL PULLEY, which are each incorporated by reference in their entireties.

[0184] Turning now to FIG. 33, a threaded rod 1130, similar to the threaded rod 1030 shown in FIGS. 29 and 30, comprises a threaded portion 1134. The threaded portion 1134 comprises one or more continuous threads which define teeth 1135 extending along a length of the threaded rod 1130. In the depicted embodiment, the threads 1135 all comprise the same geometry. More specifically, the threads 1135 each comprise the same symmetrical frustoconical geometry. Each thread 1135 comprises a proximal sidewall 1134, a distal sidewall 1136, and a top surface 1137. The top surface 1137 extends between the proximal sidewall 1134 and the distal sidewall 1136. A flat portion 1138 extends between a distal sidewall 1136 of a first thread 1135 and a proximal sidewall 1137 of a second thread 1135. The proximal sidewall 1134 and the distal sidewall 1136 both intersect the top surface 1137 of the individual thread 1135 to form sharp edges.

[0185] A bottom surface of a sled 1150 comprises partial individual threads and/or teeth 1155. The partial threads and/or teeth 1155 are configured to interact with the threads 1135 of the threaded rod 1130 when a staple cartridge 1120 including the sled 1150 is seated in the cartridge channel. The partial sled threads 1155 all comprise the same geometry; however, the partial sled threads 1155 comprise a non-symmetrical geometry. As shown in FIG. 33, each sled thread 1155 comprises a proximal sidewall 1154, a distal sidewall 1156, and a top surface 1157. The top surface 1157 extends between the proximal sidewall 1154 and the distal sidewall 1156 of an individual sled thread 1155. A flat portion 1158 extends between a distal sidewall 1156 of a first sled thread 1155 and a proximal sidewall 1154 of a second sled thread 1155. While the proximal sidewall 1154 intersects the top surface 1157 to form a sharp edge, the distal sidewall 1156 intersects the top surface 1157 to form a round, or radiused, edge. The round, radiused edge comprises a radius of curvature R , but can comprise a complex radius of curvature, including several radii of curvature.

[0186] The graphical representation in FIG. 34 depicts the torque transferable through the threaded rod 1130 to the sled 1150 as the threaded rod 1130 is rotated. Rotation of the threaded rod 1130 in a first direction causes the sled 1150 to advance distally. Rotation of the threaded rod 1130 in a second, opposite direction causes the sled 1150 to retract proximally. A first torque is transferable between the threads 1135 of the threaded rod 1130 and the sled threads 1155 when the threaded rod 1130 is rotated in the first direction, while a second torque is transferable between the threads 1135 of the threaded rod 1130 and the sled threads 1155 when the threaded rod 1130 is rotated in the second, opposite direction. The second torque transferable through the threads 1135 and the sled threads 1155 when the threaded rod 1130 is rotated in the second direction is less than the first torque that is transferable through the threads 1135 and the sled threads 1155 when the threaded rod 1130 is rotated in the first direction due, at least in part, to the rounded edges formed between the distal sidewall 1156 and the top surface 1157 of the partial sled threads 1155. Thus, the torque transferable between the threaded rod 1130 and the sled 1130 when the sled 1150 is retracted proximally is less than the torque that is transferable between the threaded rod 1130 and the sled 1130 when the sled 1150 is advanced distally.

[0187] The rod threads 1135 and the sled threads 1155 are configured such that the sled 1150 remains engaged with the threads 1135 of the threaded rod 1130 throughout the staple firing stroke. That said, the sled threads 1155 are configured such that the sled 1150 can disengage from the threaded rod 1130 when the threaded rod 1130 is rotated in its reverse direction to retract the firing member 1140 to its proximal position. When the sled 1150 becomes detached, or operably decoupled, from the threaded rod 1130, the sled 1150 is not retracted back into its proximal position. In such instances, the sled 1150 is left behind. When the sled 1150 is left behind, the spent staple cartridge 1120 is never reset. A surgical stapling instrument can comprise a spent cartridge lockout which prevents a spent staple cartridge from being re-fired. Various spent cartridge lockouts are discussed in the disclosures of U.S. Patent Application Publication No. 2004/0232200, entitled SURGICAL STAPLING INSTRUMENT HAVING A SPENT CARTRIDGE LOCKOUT, filed on May 20, 2003, U.S. Patent Application Publication No. 2004/0232199, entitled SURGICAL STAPLING INSTRUMENT HAVING

A FIRING LOCKOUT FOR AN UNCLOSED ANVIL, U.S. Patent Application Publication No. 2004/0232197, entitled SURGICAL STAPLING INSTRUMENT INCORPORATING AN E-BEAM FIRING MECHANISM, filed on May 20, 2003, U.S. Patent Application Publication No. 2004/0232196, entitled SURGICAL STAPLING INSTRUMENT HAVING SEPARATE DISTINCT CLOSING AND FIRING SYSTEMS, filed on May 20, 2003, U.S. Patent Application Publication No. 2004/0232195, entitled SURGICAL STAPLING INSTRUMENT HAVING A SINGLE LOCKOUT MECHANISM FOR PREVENTION OF FIRING, filed on May 20, 2003, and U.S. Patent Application Publication No. 2018/0085123, entitled ARTICULATING SURGICAL STAPLING INSTRUMENT INCORPORATING A TWO-PIECE E-BEAM FIRING MECHANISM, filed on August 17, 2017, which are each incorporated by reference in their entireties.

[0188] As discussed above, the threads 1155 of the sled 1150 can operably decouple from the threads 1135 of the threaded rod 1140 owing to the radius R on the sled threads 1155 which permit the sled 1150 to slip relative to the threaded rod 1130. The larger the radius R, the lower the torque that is transferable from the threaded rod 1130 to the sled 1150. In various instances, friction between the sled 1150 and the staple cartridge body can unseat or decouple the sled 1150 from the threaded rod 1130 during the proximal retraction stroke. In certain instances, a staple driver can fall downwardly from a fired position to an unfired position. The fallen staple driver can block and/or impede the retraction path for the sled 1150 and, when the sled 1150 comes into contact with the fallen staple driver, the sled 1150 can be dislodged from and/or otherwise disengaged from the threads 1135 of the threaded rod 1130. The round edges of the distal sidewalls 1156 of the sled threads 1155 limit the reverse loading capacity on the sled 1150 without causing the sled threads 1155 to disengage from the threads 1135 of the threaded rod 1130. Should the sled 1150 experience an opposing force from, for example, a fallen staple driver, the round edges of the distal sidewalls 1156 of the sled threads 1155 cause the sled 1150 to stall in place. The geometry of the sled threads 1155 allows for the sled threads 1155 to skip from one thread 1135 on the threaded rod 1130 to another while maintaining the sled 1150 in a stalled position. Skipping between threads 1135 further allows the threaded rod 1130 to continue

rotating in the second direction, the firing member to be retracted, and the sled 1150 to remain in the stalled position instead of being retracted.

[0189] In various alternative embodiments, the sled threads have a symmetrical geometry while the threads on the threaded rod have a non-symmetrical geometry. As shown in FIGS. 35A and 35B, a bottom surface of a sled 1250 comprises a plurality of partial threads and/or teeth 1255 configured to engage the threads 1235 of a threaded rod 1230 when the sled 1250 is mounted on the threaded rod 1230. Each partial thread 1255 of the sled 1250 comprises a proximal sidewall 1254, a distal sidewall 1256, and a top surface 1257. The top surface 1257 extends between the proximal sidewall 1254 and the distal sidewall 1256 of a partial thread 1255. A flat portion 1258 extends between a distal sidewall 1256 of a first thread 1255 and a proximal sidewall 1257 of a second thread 1255. The proximal sidewall 1254 and the distal sidewall 1256 both intersect the top surface 1257 of the partial thread 1255 to form sharp edges. The threads 1235 of the threaded rod 1230, however, comprise a non-symmetrical geometry. The threads 1235 comprise a proximal sidewall 1234, a distal sidewall 1236, and a top surface 1237. The top surface 1237 extends between the proximal sidewall 1234 and the distal sidewall 1236. A flat portion 1238 extends between a distal sidewall 1236 of a first sled thread 1235 and a proximal sidewall 1234 of a second sled thread 1235. While the distal sidewall 1236 intersects the top surface 1237 to form a sharp edge, the proximal sidewall 1234 intersects the top surface 1237 to form a round, radiused edge.

[0190] As shown in FIGS. 35A-36, the radius of curvature of the threads 1235 varies along a length of the threaded rod 1230. For example, a first round edge formed by a proximal sidewall 1234 and a top surface 1237 on a thread 1235 at a proximal end of the threaded rod 1230 comprises a first radius of curvature R_1 . A second round edge formed by the proximal sidewall 1234 and a top surface 1237 on a thread 1235 at a distal end of the threaded rod 1230 comprises a second radius of curvature R_2 . The second radius of curvature R_2 is larger than the first radius of curvature R_1 .

Referring now to the graphical representation in FIG. 36, the torque transferable through the threaded rod 1230 to the sled 1250 is displayed for the firing and retraction strokes. As discussed above, the threaded rod 1230 comprises threads 1235 having varying

non-symmetrical geometry, and the sled 1250 comprises symmetrical sled threads 1255. A baseline torque T_0 is transferable from the threaded rod 1230 to the sled 1250 as the threaded rod 1230 is rotated in a first direction, thereby distally advancing the sled 1250. A first torque T_1 is transferable through the threaded rod 1230 and the sled 1250 as the threaded rod 1230 is rotated in a second, opposite direction when the sled 1250 is located on a proximal portion of the threaded rod 1230. The first torque T_1 is determined at least in part by the first radius of curvature R_1 of the rounded edges formed by the proximal sidewall 1234 and the top surface 1237 of the threads 1235 on a proximal portion of the threaded rod 1230. A second torque T_2 is transferable through the threaded rod 1230 and the sled 1250 as the threaded rod 1230 is rotated in the second direction when the sled 1250 is located on a distal portion of the threaded rod 1230. The second torque T_2 is determined at least in part by the second radius of curvature R_2 of the rounded edges formed by the proximal sidewall 1234 and the top surface 1237 of the threads 1235 on a distal portion of the threaded rod 1230. The second radius of curvature R_2 is greater than the first radius of curvature R_1 , and thus, the second transferable torque T_2 is less than the first transferable torque T_1 , as discussed in greater detail herein.

[0191] As illustrated in FIG. 36, the first and second torques T_1 , T_2 transferable from the threaded rod 1230 to the sled 1250 when the threaded rod 1230 is rotated in the second direction are less than the baseline torque T_0 transferable from the threaded rod 1230 to the sled 1250 when the threaded rod is rotated in the first direction due, at least in part, to the rounded edges R_1 , R_2 formed by the distal sidewall 1234 and the top surface 1237 of the threaded rod 1230. As such, the torque transferable from the threaded rod 1230 to the sled 1250 when the sled 1250 is proximally retracted is less than the torque required to distally advance the sled 1250.

[0192] Moreover, further to the above, the torque transferable from the threaded rod 1230 to the sled 1250 is lower over the distal length T_2 as compared to the proximal length T_1 . As such, the sled 1250 is more likely to become decoupled from the threaded rod 1230 at the distal end of the threaded rod 1230 as compared to the proximal end. In either event, the sled 1250 will not be returned to its proximal unfired position.

[0193] FIG. 37 depicts a portion of an end effector assembly 1300 for use with a surgical instrument. The end effector assembly 1300 comprises a first jaw 1310 defining a channel 1311. A staple cartridge 1320 is configured to be seated in the channel 1311. As depicted in FIG. 37, a threaded rod 1330 is integrated with the replaceable staple cartridge 1320 prior to the staple cartridge 1320 being seated in the channel 1311. The threaded rod 1330 extends substantially the length of the staple cartridge 1320 and is connected to a rotatable drive shaft 1390 of the surgical instrument when the staple cartridge 1320 is seated in the channel 1311. The rotatable drive shaft 1390 is operably coupled with an electric motor, for example, which rotates the rotatable drive shaft 1390 when the electric motor is operated.

[0194] The channel 1311 defined by the first jaw 1310 comprises a base 1312 and two sidewalls 1313 extending upwardly from the base 1312. A longitudinal recess 1314 is formed within the base 1312 and is configured to receive at least a portion of the staple cartridge 1320 when the staple cartridge 1320 is seated in the first jaw 1310. A mounting bracket 1316 is positioned at a distal end of the longitudinal recess 1314 and is configured to receive a distal end of the threaded rod 1330. Placement of the threaded rod 1330 into the mounting bracket 1316 prevents, for example, the dislodgement and/or unwanted movement of the threaded rod 1330 and/or the staple cartridge 1320. The mounting bracket 1316 is grounded to the base 1312. In various instances, the mounting bracket 1316 is integrally formed with the first jaw 1310. In various instances, the mounting bracket 1316 is a separate component that is attached to the first jaw 1310 using an adhesive, welding, and/or a soldering technique, however, any suitable attachment technique can be used.

[0195] Similar to the removable staple cartridge 1020, the staple cartridge 1320 is configured to be readily removable from the channel 1311 of the first jaw 1310 and replaced with another staple cartridge 1320. The staple cartridge 1320 is configured to be seated in the channel 1311 of the first jaw 1310. The staple cartridge 1320 is configured to be snap-fit into the channel 1311, but can be attached to the channel 1311 in any suitable manner. The staple cartridge 1320 comprises a longitudinal slot 1322 extending through a thickness of the staple cartridge 1320. The longitudinal slot 1322 extends from a proximal end toward a distal end of the staple cartridge 1320. The

longitudinal slot 1322 provides clearance within the staple cartridge 1320 to account for the threaded rod 1330 integrated with the staple cartridge 1320. A lateral portion 1324 is defined at a distal end of the longitudinal slot 1322 to provide clearance for the mounting bracket 1316 of the first jaw 1310 when the staple cartridge 1320 is seated in the channel 1311 of the first jaw 1310. The lateral portion 1324 does not extend through the entirety of the staple cartridge 1320, but could do so in other embodiments.

[0196] As described above, the threaded rod 1330 is configured to be integrated with the replaceable staple cartridge 1320 prior to seating the staple cartridge 1320 in the channel 1311. The threaded rod 1330 terminates in a distal head 1332 positioned at the distal end thereof. The distal head 1332 is configured to be positioned on a distal side of the mounting bracket 1316, while a threaded portion 1334 of the threaded rod 1330 is positioned on a proximal side of the mounting bracket 1316. The threaded portion 1334 extends proximally away from the mounting bracket 1316 through the first jaw 1310. Once the staple cartridge 1320 is seated in the first jaw 1310, as shown in FIG. 38, the distal head 1332 of the threaded rod 1330 is separated from the mounting bracket 1316 by a bushing member 1318. The bushing member 1318 is configured to provide an interface between the mounting bracket 1316 and the distal head 1332 of the threaded rod 1330. Such an interface, for example, resists abrasion between the mounting bracket 1316 and the distal head 1332 as the threaded rod 1330 is rotated. The bushing member 1318 also prevents axial movement of the distal head 1332 with respect to the mounting bracket 1316 and/or serves as a guide for maintaining the threaded rod 1330 in its proper position.

[0197] As shown in FIGS. 37 and 39, the threaded rod 1330 comprises a mating member 1338 at a proximal end of the threaded rod 1330. The mating member 1338 of the threaded rod 1330 is configured to engage a distal end 1380 of a rotatable drive shaft 1390. The mating member 1338 can engage the rotatable drive shaft 1390 in any suitable manner. In various instances, the mating member 1338 is sized to fit within a corresponding recess 1388 on the distal end 1380 of the rotatable drive shaft 1390. The mating member 1338 and the recess 1388 comprise a hexagonal drive, for example. The rotatable drive shaft 1390 is operably coupled with an electric motor, for example, which can rotate the drive shaft 1390.

[0198] As shown in FIGS. 37 and 40, a firing member 1340 comprising a cutting element 1342 is mounted on the threaded rod 1330 in the replaceable staple cartridge 1320. In other words, both the threaded rod 1330 and the firing member 1340 are integrated with the staple cartridge 1320 prior to seating the staple cartridge 1320 in the first jaw 1310. The firing member 1340 is threadably engaged with the threaded portion 1334 of the threaded rod 1330, and the firing member 1340 is advanced distally when the threaded rod 1330 is rotated in a first direction. The firing member 1340 is retracted proximally when the threaded rod 1330 is rotated in a second, opposite direction. The firing member 1340 comprises a first cam portion 1345 configured to engage the first jaw 1310 of the end effector 1300 and a second cam portion 1346 configured to engage a second jaw 1370 of the end effector 1300. The second jaw 1370 comprises an anvil, similar to the anvil 75, for example. Similar to the above, the base 1312 of the first jaw 1310 comprises a longitudinal recess 1314 extending from a proximal end of the first jaw 1310 toward a distal end. The longitudinal recess 1314 comprises a lateral recess portion 1313 at the proximal end thereof which is wider in dimension than a distal portion of the longitudinal recess 1314. The second jaw 1370 comprises a longitudinal slot 1372 extending from a proximal end toward a distal end of the second jaw 1370. The longitudinal slot 1372 of the second jaw 1370 comprises a lateral slot portion 1373 at the proximal end thereof. Notably, the lateral recess 1314 and the lateral slot portion 1373 are aligned, or at least substantially longitudinally aligned with one another.

[0199] The first cam portion 1344 of the firing member 1340 comprises a first camming member 1345 sized to be received within the lateral recess portion 1313 defined at the proximal end of the longitudinal recess 1314 of the first jaw 1310. When the staple cartridge 1320 is attached to the first jaw 1310, the first cam portion 1344 of the firing member 1340 is aligned with the lateral recess portion 1313 defined within the first jaw 1310. As the threaded rod 1330 is rotated in a first direction, the firing member 1340, and thus, the first cam portion 1344 travels distally through the gap, or slot, 1318 defined by the bottom surface of the staple cartridge 1320 and the longitudinal recess 1314 of the first jaw 1310. The first camming member 1345 is closely received within

the gap 1318 which provides stability and support to the firing member 1340 as the firing member 1340 experiences forces and/or torques during a staple firing stroke.

[0200] The second cam portion 1346 of the firing member 1340 comprises a second camming member 1346 sized to be received within the lateral slot portion 1373 defined at the proximal end of the longitudinal slot 1372 of the second jaw 1370. When the staple cartridge 1320 is attached to the first jaw 1310, as discussed above, the second cam portion 1346 is aligned with the lateral slot portion 1373 defined within the second jaw 1370. That said, the second cam portion 1346 is not completely aligned with the lateral slot portion 1373 when the second jaw 1370 is in its open position. Once the second jaw 1370 is in its closed position, however, the second cam portion 1346 is aligned with the lateral slot portion 1373. As the threaded rod 1330 is rotated in the first direction, the firing member 1340, and thus, the second cam portion 1346 travels distally through the longitudinal slot 1372 of the second jaw 1370. The second camming member 1346 is closely received within the longitudinal slot 1372 which provides stability and support to the firing member 1340 as the firing member 1340 experiences forces and/or torques during the staple firing stroke. Engagement of the first jaw 1310 and the second jaw 1370 by the firing member 1340 also serves to set a staple forming distance between the jaws 1310, 1370 during the staple firing stroke.

[0201] During the staple firing stroke, further to the above, the firing member 1340 prevents the second jaw 1370 from being opened. After the staple firing stroke has been performed, the firing member 1340 is retracted back into its proximal, unfired position (FIG. 40). At such point, the first and second cam portions 1344, 1346 of the firing member 1340 are no longer engaged with the first and second jaws 1310, 1370 and are, instead, realigned with the lateral recess and/or slot portions 1313, 1373 of the first and second jaws 1310, 1370, respectively. The second jaw 1370, at this point, can be re-opened.

[0202] Further to the above, a threaded rod, such as threaded rod 1030, for example, can either be mounted within a jaw of an end effector assembly independently of a staple cartridge or, alternatively, the threaded rod can be integrated with a staple cartridge prior to seating the staple cartridge in the jaw. In either scenario, the presence of the threaded rod consumes a significant amount of space along a central longitudinal

portion of the staple cartridge. In an effort to reduce an overall width of the end effector assembly and/or the staple cartridge, the staple drivers can be configured and arranged to allow the width to be reduced. A reduction in the width of the end effector assembly allows, for example, the end effector assembly to be introduced into constrained and tight spaces within a patient. Moreover, in various instances, the staple drivers can be configured and arranged to allow six longitudinal rows of staples stored in the staple cartridge, as opposed to four longitudinal staple rows, for example.

[0203] Referring to FIG. 41, a staple cartridge assembly 1400 comprises a staple cartridge 1420 including a sled 1450. The staple cartridge 1420 comprises a cartridge deck 1421 comprising a plurality of staple cavities 1422, 1424, 1426, 1428 defined therein. The staple cavities 1422, 1424, 1426, 1428 are arranged in four longitudinal rows. Two longitudinal rows of staple cavities 1422, 1424 are defined on a first side of a longitudinal slot 1412 while the longitudinal rows of staple cavities 1426, 1428 are defined on a second, opposite side of the longitudinal slot 1412. A first longitudinal row of staple cavities 1424 extends from a proximal end toward a distal end of the cartridge deck 1421 directly alongside the longitudinal slot 1412 while a second longitudinal row of staple cavities 1422 extends alongside the first longitudinal row of staple cavities 1424. In other words, the first longitudinal row of staple cavities 1424 defines an inner row with respect to the longitudinal slot 1412, and the second longitudinal row of staple cavities 1422 defines an outer row with respect to the longitudinal slot 1412. A third longitudinal row of staple cavities 1426 extends from a proximal end toward a distal end of the cartridge deck 1421 directly alongside the longitudinal slot 1412 while a fourth longitudinal row of staple cavities 1428 extends alongside the third longitudinal row of staple cavities 1426. In other words, the third longitudinal row of staple cavities 1426 defines an inner row with respect to the longitudinal slot 1412, and the fourth longitudinal row of staple cavities 1424 defines an outer row with respect to the longitudinal slot 1412. A staple 1470 is positioned within each staple cavity.

[0204] The staples 1470 are supported within the staple cavities 1422, 1424, 1426, 1428 by staple drivers 1460. As shown in FIG. 41, a first double staple driver 1460 is configured to support a staple 1470 from the first longitudinal row of staple cavities 1424 and a staple 1470 from the second longitudinal row of staple cavities 1422. A second

double staple driver 1460 is configured to support a staple 1470 from the third longitudinal row of staple cavities 1426 and a staple 1470 from the fourth longitudinal row of staple cavities 1428. That said, any suitable driver arrangement can be used. For instance, the staple drivers can be single staple drivers configured to support and drive a single staple 1470 and/or triple staple drivers configured to support and drive three staples 1470, for example.

[0205] During a staple firing stroke, the sled 1450 is configured to contact the staple drivers 1460 and drive the staple drivers 1460 upwardly toward an anvil positioned opposite the staple cartridge 1420. The upward displacement of the staple drivers 1460 by the sled 1460 drives the staples 1470 out of the staple cartridge 1420 and against the forming pockets of the anvil positioned opposite the staple cartridge 1420. As discussed in greater detail herein, the sled 1450 is configured to be operably engaged with the threaded rod 1430 regardless of whether the sled 1450 is part of the staple cartridge 1420 or part of the end effector before the staple cartridge 1420 before the staple cartridge 1420 is delivered to the end effector. The sled 1450 comprises a central portion 1452 that extends upwardly through at least a portion of the longitudinal slot 1412 defined within the staple cartridge 1420. The sled 1450 further comprises a first camming member, or ramp, 1452 positioned within a longitudinal channel extending below the staple drivers 1460 on a first side of the longitudinal slot 1412 and a second camming member, or ramp, 1454 positioned within a longitudinal channel extending below the staple drivers 1460 on a second, opposite side of the longitudinal slot 1412. The first camming member 1452 and the second camming member 1454 are interconnected through the central portion 1455 of the sled 1450. That said, a sled 1450 can comprise any suitable number of ramps to engage the drivers during the staple firing stroke.

[0206] Prior to the staple drivers 1460 and staples 1470 being driven upwardly by the sled 1450, the staple drivers 1460 are positioned in a low, unfired configuration. Each staple driver 1460 comprises a first exterior surface 1464 and a second exterior surface 1462. The first exterior surface 1464 faces toward the threaded rod 1430, while the second exterior surface 1462 faces away from the threaded rod 1430. The first exterior surface 1464 comprises an arcuate profile 1466 configured to complement and/or mimic

the arcuate geometry of the sled 1450 and the threaded rod 1430. The arcuate profile 1466 is sized and configured to closely receive the sled 1450 therein, whether or not the sled 1450 is threadably engaged with the threaded rod 1430. The sled 1450 comprises arcuate portions 1456 that closely receive the threaded rod 1430 and arcuate portions 1458 that are closely received within the arcuate profiles 1466 of the staple drivers 1460. The arcuate profiles 1466 comprise a single radius of curvature, but can comprise a compound radius of curvature in various embodiments. In either event, the sled 1450 can slide relative to the staple drivers 1460. In fact, the arcuate profiles 1466 are in contact with the sled 1450 as the sled 1450 passes by, but may not be in contact with the sled 1450 in other embodiments. In instances where the first exterior surface 1464 does not comprise an arcuate profile, or another clearance profile, the inner rows of staple cavities 1424, 1426 would have to be moved away from the longitudinal slot 1412 to accommodate for the centrally-located threaded rod 1430. The clearance profile on the first exterior surface 1464 allows for the staple driver 1460 to remain as close to the longitudinal slot 1412 as possible. Moreover, minimizing the distance between the longitudinal slot 1412 and the inner rows of staple cavities 1424, 1426 can permit the four rows of staples to be closer to the tissue incision and/or provide room for the four rows of staples to become six rows of staples. In addition, moving the two longitudinal rows of staples inwardly can provide room for an additional row of staples, and staple cavities, on each side of the tissue incision.

[0207] As described in greater detail herein, a surgical instrument can comprise an articulation joint configured to permit an end effector assembly, such as, for example, the end effector assembly 1000, to be rotated, or articulated, relative to a shaft. FIGS. 42A-44 depict an articulation joint 1530 of a surgical stapling instrument 1500. The surgical stapling instrument 1500 comprises an end effector assembly 1510 and a shaft portion 1520. The articulation joint 1530 connects a proximal end of the end effector assembly 1510 and a distal end of the shaft portion 1520. A plurality of articulation drivers 1532, 1534 extend through the shaft portion 1520 and are connected to the end effector assembly 1510. The articulation drivers 1532, 1534 control the rotation of the end effector assembly 1510 with respect to the shaft portion 1520 through antagonistic motion. For example, as a first articulation driver 1532 is pulled in a proximal direction,

a second articulation driver 1534 is pushed in a distal direction, causing the end effector assembly 1510 to rotate about a first axis in a first direction. As the second articulation driver 1534 is pulled in the proximal direction, the first articulation driver 1532 is pushed in the distal direction, causing the end effector assembly 1510 to rotate about the first axis in a second direction. That said, if one of the articulation drivers 1532, 1534 is pushed distally to articulate the end effector assembly 1510, the other articulation driver 1532, 1534 can be pulled distally by the motion of the end effector assembly 1510. The proximal end of the end effector assembly 1510 terminates in a convex surface 1512 comprising a plurality of slots 1514 defined therein. The distal end of the shaft portion 1520 terminates in a concave surface 1522 configured to receive at least a portion of the convex surface 1512 of the end effector assembly 1510. The engagement of the convex surface 1512 and the concave surface 1522 creates a first ball and socket joint. That said, the surfaces 1512, 1522 can comprise any suitable arcuate surfaces, for example. Various articulation drive arrangements are discussed in the disclosures of U.S. Patent Application Publication No. 2017/0265954, filed March 17, 2017, entitled STAPLER WITH CABLE-DRIVEN ADVANCEABLE CLAMPING ELEMENT AND DUAL DISTAL PULLEYS, and U.S. Patent Application Publication No. 2017/0265865, filed February 15, 2017, entitled STAPLER WITH CABLE-DRIVEN ADVANCEABLE CLAMPING ELEMENT AND DISTAL PULLEY. The disclosures of International Patent Publication No. WO 2017/083125, entitled STAPLER WITH COMPOSITE CARDAN AND SCREW DRIVE, published May 18, 2017, International Patent Publication No. WO 2017/083126, entitled STAPLE PUSHER WITH LOST MOTION BETWEEN RAMPS, published May 18, 2017, International Patent Publication No. WO 2015/153642, entitled SURGICAL INSTRUMENT WITH SHIFTABLE TRANSMISSION, published October 8, 2015, U.S. Patent Application Publication No. 2017/0265954, filed March 17, 2017, entitled STAPLER WITH CABLE-DRIVEN ADVANCEABLE CLAMPING ELEMENT AND DUAL DISTAL PULLEYS, U.S. Patent Application Publication No. 2017/0265865, filed February 15, 2017, entitled STAPLER WITH CABLE-DRIVEN ADVANCEABLE CLAMPING ELEMENT AND DISTAL PULLEY, and U.S. Patent Publication No. 2017/0290586, entitled STAPLING CARTRIDGE, filed on March 29, 2017, are incorporated herein by reference in their entireties.

[0208] In the depicted embodiment, four articulation drivers 1532, 1534, 1536, 1538 control the rotation of the end effector assembly 1510 relative to the shaft portion 1520. The four articulation drivers 1532, 1534, 1536, 1538 are arranged in a manner in which they can be used to rotate the end effector assembly 1510 relative to the shaft portion 1520 in two orthogonal planes. The end effector assembly 1510 can be rotated in each plane separately or in a compound movement within the two planes. The four articulation drivers 1532, 1534, 1536, 1538 are received within the plurality of slots 1514 defined within the end effector assembly 1510. As shown in the end view of FIG. 42B, the slots 1514 are symmetrically defined about a perimeter of the end effector assembly 1510. The distal end of each articulation driver 1532, 1534, 1536, 1538 comprises a convex surface, or ball 1531 configured to be received within one of the slots 1514 defined in the convex surface 1512 of the end effector assembly 1510.

[0209] As shown in FIG. 44, the end effector assembly 1510 comprises one or more backstops 1540 configured to hold the distal ends 1531 of the articulation drivers 1532, 1534, 1536, 1538 in place. The end effector assembly 1510 comprises four backstops 1540 - one for each articulation actuator - but could comprise any suitable number and/or configuration of backstops. The backstops 1540 are mounted to the end effector assembly 1510 to prevent, or at least limit, relative movement between the distal ends 1531 of the articulation drivers 1532, 1534, 1536, 1538 and the end effector assembly 1510. Stated another way, the backstops 1540 are attached to the frame of the end effector assembly 1510 to trap the distal ends 1531 in the slots 1514 such that there is little, if any, lag between the actuation of the articulation drivers 1532, 1534, 1536, 1538 and the movement of the end effector assembly 1510. In various instances, the backstops 1540 can be welded, soldered, and/or brazed to the end effector assembly 1510 after the distal ends 1531 of the articulation drivers 1532, 1534, 1536, 1538 have been assembled into the slots 1514 of the end effector assembly 1510.

[0210] A plurality of ball and socket joints are formed between the distal ends of the articulation drivers 1532, 1534, 1536, 1538 and the slots 1514 defined in the end effector assembly 1510. More specifically, each of the backstops 1540 comprises an arcuate socket, or face, defined therein which is configured to receive a distal end, or ball, 1531 of one of the articulation drivers 1532, 1534, 1536, 1538 therein and define a

rotation interface for the distal end 1531. While these rotation interfaces prevent the translation of the distal ends 1531 relative to the end effector assembly 1510, they permit the distal ends 1531 to rotate within the arcuate sockets. The connection of the articulation drivers 1532, 1534, 1536, 1538 to the end effector assembly 1510 in this manner provides additional degrees of freedom to the articulation joint as the connections are not fixedly secured to the end effector assembly 1510. The additional degrees of freedom provide a larger range of overall articulation of the end effector assembly 1510 with respect to the shaft portion 1520.

[0211] The articulation joint 1530 of FIGS. 41-43 prevents distal movement of the end effector assembly 1510 away from the shaft portion 1520. Among other things, alignment between the components of the surgical instrument is facilitated by the complementary geometries of the distal end of the shaft portion 1520 and the proximal end of the end effector assembly 1510. Given that the distal ends 1531 of the articulation drivers 1532, 1534, 1536, 1538 are sized and configured such that they cannot be pulled proximally through the slots 1514, the end effector assembly 1510 can only move a certain distance away from the shaft portion 1520, if at all, due to the articulation drivers 1532, 1534, 1536, 1538. The engagement of the articulation drivers 1532, 1534, 1536, 1538 with the end effector assembly 1510 provides a redundant support that maintains alignment between the end effector assembly 1510 and the shaft portion 1520.

[0212] Further to the above, the articulation drivers 1532, 1534, 1536, 1538 comprise tubes; however, any suitable driver can be used. For instance, the articulation drivers 1532, 1534, 1536, 1538 can comprise a solid cross-section. In various instances, the articulation drivers 1532, 1534, 1536, 1538 comprise a plurality of slits and/or integrated cuts 1533. The integrated cuts 1533 enable the articulation drivers 1532, 1534, 1536, 1538 to be flexible while also maintaining the structural integrity of the articulation drivers 1532, 1534, 1536, 1538 as the end effector assembly 1510 is rotated with respect to the shaft portion 1520. In various instances, depending on the degree of articulation, the articulation drivers 1532, 1534, 1536, 1538 may partially wrap around the proximal end 1512 of the end effector assembly 1510. The slits 1533 can facilitate such wrapping of the articulation drivers 1532, 1534, 1536, 1538.

[0213] Various aspects of the subject matter described herein are set out in the following examples.

[0214] Example Set 1.

[0215] Example 1 - An end effector assembly for use with a surgical instrument is disclosed. The end effector assembly comprises a first jaw defining a channel therein, a second jaw, and a threaded rod extending within the channel. The end effector assembly further comprises a replaceable staple cartridge comprising a sled, wherein the replaceable staple cartridge is configured to be seated in the channel, and a firing member operably engaged with the threaded rod, wherein the sled and the firing member are configured to move from a proximal position toward a distal position when the threaded rod is rotated in a first direction.

[0216] Example 2 - The end effector assembly of Example 1, wherein the firing member is configured to move from the distal position toward the proximal position when the threaded rod is rotated in a second direction, and wherein the sled does not move from the distal position toward the proximal position when the threaded rod is rotated in the second direction.

[0217] Example 3 - The end effector assembly of any one of Examples 1 and 2, wherein at least a portion of the firing member is configured to engage the second jaw during a staple firing stroke.

[0218] Example 4 - The end effector assembly of any one of Examples 1-3, wherein the sled is snap-fit onto the threaded rod when the replaceable staple cartridge is seated in the channel.

[0219] Example 5 - The end effector assembly of any one of Examples 1-4, wherein the sled is configured to threadably engage the threaded rod when the replaceable staple cartridge is seated in the channel.

[0220] Example 6 - The end effector assembly of any one of Examples 1-5, wherein the firing member is operably engaged with the threaded rod prior to seating of the replaceable staple cartridge in the channel.

[0221] Example 7 - The end effector assembly of any one of Examples 1-6, wherein the firing member comprises a tissue cutting member.

[0222] Example 8 - The end effector assembly of any one of Examples 1-7, wherein the sled comprises a bottom surface configured to interface the threaded rod when the replaceable staple cartridge is seated in the channel, and wherein at least a portion of the bottom surface comprises a sled thread.

[0223] Example 9 - The end effector assembly of Example 8, wherein the sled thread comprises a first side configured to engage the threaded rod when the threaded rod is rotated in the first direction, wherein the sled thread comprises a second side configured to slip over the threaded rod when the threaded rod is rotated in a second direction, wherein the first side comprises a sharp edge, and wherein the second side comprises a rounded edge.

[0224] Example 10 - The end effector assembly of any one of Examples 8 and 9, wherein the threaded rod comprises a rod thread, wherein the rod thread comprises a first side configured to engage the sled thread when the threaded rod is rotated in the first direction, wherein the rod thread comprises a second side configured to slip over the sled thread when the threaded rod is rotated in a second direction, wherein the first side comprises a sharp edge, and wherein the second side comprises a rounded edge.

[0225] Example 11 - The end effector assembly of any one of Examples 9 and 10, wherein the rounded edge comprises a degree of curvature, and wherein the degree of curvature varies along a length of the threaded rod.

[0226] Example 12 - The end effector assembly of any one of Examples 1-11, wherein the first jaw comprises a mounting bracket in the channel, and wherein the mounting bracket is configured to receive at least a portion of the threaded rod.

[0227] Example 13 - The end effector assembly of any one of Examples 1-12, wherein the sled is releasably coupled to the firing member when the replaceable staple cartridge is seated in the channel.

[0228] Example 14 - An end effector assembly is disclosed. The end effector assembly comprises a first jaw, a second jaw, and a rotatable drive screw extending within the first jaw. The end effector assembly further comprises a replaceable staple cartridge configured to be seated in the first jaw, wherein the replaceable staple cartridge comprises a sled and a firing member configured to operably engage the rotatable drive screw, wherein the sled is configured to be positioned distal to the firing

member on the rotatable drive screw when the replaceable staple cartridge is seated in the first jaw, and wherein the firing member is configured to push the sled from a proximal position toward a distal position when the rotatable drive screw is rotated in a first direction.

[0229] Example 15 - The end effector assembly of Example 14, wherein the rotatable drive screw is mounted within the first jaw prior to seating the replaceable staple cartridge in the first jaw.

[0230] Example 16 - The end effector assembly of any one of Examples 14 and 15, wherein the replaceable staple cartridge comprises a clearance, and wherein at least a portion of the rotatable drive screw is positioned in the clearance when the replaceable staple cartridge is seated in the first jaw.

[0231] Example 17 - The end effector assembly of any one of Examples 14-16, wherein the firing member is configured to move from the distal position toward the proximal position when the rotatable drive screw is rotated in a second direction, and wherein the sled does not move from the distal position toward the proximal position when the rotatable drive screw is rotated in the second direction.

[0232] Example 18 - The end effector assembly of any one of Examples 14-17, wherein the sled comprises a bottom surface configured to interface the rotatable drive screw when the replaceable staple cartridge is seated in the first jaw, and wherein at least a portion of the bottom surface comprises a sled thread.

[0233] Example 19 - The end effector assembly of Example 18, wherein the sled thread comprises a first side configured to engage the rotatable drive screw when the rotatable drive screw is rotated in the first direction, wherein the sled thread comprises a second side configured to allow the sled to slip with respect to the rotatable drive screw when the rotatable drive screw is rotated in a second direction, wherein the first side comprises a sharp edge, and wherein the second side comprises a rounded edge.

[0234] Example 20 - A staple cartridge for use with a surgical stapling instrument is disclosed. The staple cartridge comprises a cartridge body comprising a distal end, staples removably stored in the cartridge body, drivers configured to drive the staples out of the cartridge body, and a sled configured to be positioned on a threaded rod of the surgical stapling instrument when the staple cartridge is seated in a staple cartridge

jaw of an end effector of the surgical stapling instrument, wherein the sled is driven distally by the threaded rod when the threaded rod is rotated.

[0235] Example 21 - A staple cartridge for use with a surgical stapling instrument is disclosed. The staple cartridge comprises a cartridge body comprising a distal end, staples removably stored in the cartridge body, drivers configured to drive the staples out of the cartridge body, and a sled configured to be positioned distal to a firing member on a threaded rod of the surgical stapling instrument when the staple cartridge is seated in a staple cartridge jaw of an end effector of the surgical stapling instrument, wherein the sled is pushed distally by the firing member when the threaded rod is rotated.

[0236] Example 22 - An end effector assembly is disclosed. The end effector assembly comprises a first jaw, a second jaw, a rotatable drive screw extending within the first jaw, and a replaceable staple cartridge configured to be seated in the first jaw. The replaceable staple cartridge comprises a sled positioned on the rotatable drive screw when the replaceable staple cartridge is seated in the first jaw, wherein the sled comprises a bottom surface comprising a sled thread, wherein the sled thread comprises a first side configured to engage the rotatable drive screw when the rotatable drive screw is rotated in a first direction and a second side configured to allow the sled to slip with respect to the rotatable drive screw when the rotatable drive screw is rotated in a second direction, wherein the first side comprises a sharp edge, and wherein the second side comprises a rounded edge. The end effector assembly further comprises a firing member operably engaged with the rotatable drive screw, wherein the sled is positioned distal to the firing member on the rotatable drive screw, wherein the sled and the firing member are configured to move from a proximal position toward a distal position when the rotatable drive screw is rotated in the first direction, wherein the firing member is configured to move from the distal position to the proximal position when the rotatable drive screw is rotated in the second direction, and wherein the sled does not move from the distal position toward the proximal position when the rotatable drive screw is rotated in the second direction.

[0237] Example 23 - The end effector assembly of Example 22, wherein the sled is releasably coupled to the firing member.

[0238] Example 24 - The end effector assembly of any one of Examples 21 and 22, wherein the rotatable drive screw is integrated with the first jaw prior to seating the replaceable staple cartridge in the first jaw.

[0239] Example 25 - An end effector assembly is disclosed. The end effector assembly comprises a first jaw, a second jaw, a rotatable drive screw extending within the first jaw, wherein the rotatable drive screw comprises a drive screw thread extending along a length of the rotatable drive screw, and a replaceable staple cartridge configured to be seated in the first jaw. The replaceable staple cartridge comprises a sled positioned over the rotatable drive screw when the replaceable staple cartridge is seated in the first jaw, wherein the sled comprises a bottom surface comprising a sled thread, wherein the drive screw thread comprises a first side configured to engage the sled thread when the rotatable drive screw is rotated in a first direction and a second side configured to allow the sled to slip with respect to the rotatable drive screw when the rotatable drive screw is rotated in a second direction, wherein the first side comprises a sharp edge, and wherein the second side comprises a rounded edge. The end effector assembly further comprises a firing member operably engaged with the rotatable drive screw, wherein the sled is positioned distal to the firing member on the rotatable drive screw, and wherein the sled and the firing member are configured to move from a proximal position toward a distal position when the rotatable drive screw is rotated in the first direction.

[0240] Example 26 - The end effector assembly of Example 25, wherein the sled is releasably coupled to the firing member.

[0241] Example 27 - The end effector assembly of any one of Examples 25 and 26, wherein the rotatable drive screw is integrated with the first jaw prior to seating the replaceable staple cartridge in the first jaw.

[0242] Example Set 2.

[0243] Example 1 - An end effector assembly for use with a surgical instrument is disclosed. The end effector assembly comprises a first jaw comprising a first recess, a second jaw defining a channel, wherein the second jaw comprises a second recess, and a replaceable staple cartridge configured to be seated in the channel. The staple cartridge comprises a cartridge body, staple cavities defined in the cartridge body,

wherein the staple cavities are arranged in longitudinal rows, staples positioned in the staple cavities, a threaded rod, and a firing member operably engaged with the threaded rod, wherein the firing member is configured to move between a proximal unfired position and a distal fired position during a staple firing stroke. The firing member comprises a first portion comprising a first lateral projection, wherein the first recess of the first jaw is configured to receive the first lateral projection when the replaceable staple cartridge is seated in the channel and the firing member is positioned in the proximal unfired position and a second portion comprising a second lateral projection, wherein the second recess of the second jaw is configured to receive the second lateral projection when the replaceable staple cartridge is seated in the channel and the firing member is positioned in the proximal unfired position, and wherein the first portion and the second portion are configured to maintain a distance between the first jaw and the second jaw during the staple firing stroke.

[0244] Example 2 - The end effector assembly of Example 1, wherein the channel comprises a mounting bracket configured to receive at least a portion of the threaded rod when the replaceable staple cartridge is seated in the channel.

[0245] Example 3 - The end effector assembly of Example 2, wherein the threaded rod comprises a distal head.

[0246] Example 4 - The end effector assembly of Example 3, further comprising a bushing member, wherein the bushing member is configured to be positioned in between the distal head of the threaded rod and the mounting bracket when the replaceable staple cartridge is seated in the channel.

[0247] Example 5 - The end effector assembly of any one of Examples 2-4, wherein the replaceable staple cartridge comprises a recess configured to receive the mounting bracket when the replaceable staple cartridge is seated in the channel.

[0248] Example 6 - The end effector assembly of any one of Examples 1-5, wherein the firing member comprises a tissue cutting member.

[0249] Example 7 - The end effector assembly of any one of Examples 1-6, wherein the channel comprises a recess configured to receive at least a portion of the threaded rod when the replaceable staple cartridge is seated in the channel.

[0250] Example 8 - The end effector assembly of any one of Examples 1-7, wherein the threaded rod is integrated with the replaceable staple cartridge prior to seating the replaceable staple cartridge in the channel.

[0251] Example 9 - An end effector assembly for use with a surgical instrument is disclosed. The end effector assembly comprises an anvil comprising a first recess, a staple cartridge jaw comprising a second recess, and a replaceable staple cartridge configured to be seated in the staple cartridge jaw. The replaceable staple cartridge comprises a threaded rod and a firing member operably engaged with the threaded rod, wherein the firing member is configured to move from a proximal unfired position toward a distal fired position, and wherein said firing member comprises a first portion comprising a first lateral projection, wherein the first recess of the anvil is configured to receive the first lateral projection when the replaceable staple cartridge is seated in the staple cartridge jaw and the firing member is in the proximal unfired position and a second portion comprising a second lateral projection, wherein the second recess of the staple cartridge jaw is configured to receive the second lateral projection when the replaceable staple cartridge is seated in the staple cartridge jaw and the firing member is in the proximal unfired position, and wherein the first portion and the second portion are configured to maintain a distance between the anvil and the staple cartridge jaw when the end effector assembly is in a closed configuration.

[0252] Example 10 - The end effector assembly of Example 9, wherein the staple cartridge jaw comprises a mounting bracket configured to receive at least a portion of the threaded rod when the replaceable staple cartridge is seated in the staple cartridge jaw.

[0253] Example 11 - The end effector assembly of Example 10, wherein the replaceable staple cartridge comprises a distal recess configured to receive the mounting bracket when the replaceable staple cartridge is seated in the staple cartridge jaw.

[0254] Example 12 - The end effector assembly of any one of Examples 9-11, wherein the threaded rod comprises a distal head.

[0255] Example 13 - The end effector assembly of Example 12, further comprising a bushing member, wherein the bushing member is configured to be positioned in

between the distal head of the threaded rod and the mounting bracket when the replaceable staple cartridge is seated in the staple cartridge jaw.

[0256] Example 14 - The end effector assembly of any one of Examples 9-13, wherein the threaded rod is integrated with the replaceable staple cartridge prior to seating the replaceable staple cartridge in the staple cartridge jaw.

[0257] Example 15 - The end effector assembly of any one of Examples 9-14, wherein the staple cartridge jaw comprises a longitudinal recess configured to receive at least a portion of the threaded rod when the replaceable staple cartridge is seated in the staple cartridge jaw.

[0258] Example 16 - A staple cartridge insertable into a surgical stapling instrument is disclosed. The staple cartridge comprises a threaded rod and a firing member configured to move from a proximal unfired position toward a distal position as the threaded rod is rotated in a first direction. The firing member comprises a first portion comprising a first camming member, wherein an anvil of the surgical stapling instrument receives the first portion when the firing member is in the proximal unfired position and a second portion comprising a second camming member, wherein a staple cartridge jaw of the surgical stapling instrument receives the second portion when the firing member is in the proximal unfired position, and wherein the first portion and the second portion are configured to maintain a distance between the anvil and the staple cartridge jaw during a staple firing stroke.

[0259] Example 17 - The staple cartridge of Example 16, wherein the firing member is threadably engaged with the threaded rod.

[0260] Example 18 - The staple cartridge of any one of Examples 16 and 17, wherein the threaded rod is configured to be received by a mounting bracket positioned on the staple cartridge jaw.

[0261] Example 19 - The staple cartridge of Example 18, further comprising a recess configured to receive the mounting bracket when the staple cartridge is seated in the staple cartridge jaw.

[0262] Example 20 - The staple cartridge of Example 19, further comprising a bushing member, wherein the bushing member is configured to be positioned in between the threaded rod and the mounting bracket.

[0263] Example Set 3.

[0264] Example 1 - An end effector assembly for use with a surgical instrument is disclosed. The end effector assembly comprises a first jaw defining a channel therein, a drive screw, and a replaceable staple cartridge configured to be seated in the channel. The replaceable staple cartridge comprises a proximal end, a distal end, a cartridge body, a longitudinal slot extending between the proximal end and the distal end, a first longitudinal row of staple cavities defined in the cartridge body, wherein the first longitudinal row of staple cavities is positioned alongside the longitudinal slot, and a second longitudinal row of staple cavities defined in the cartridge body, wherein the second longitudinal row of staple cavities is positioned alongside the first longitudinal row of staple cavities. The end effector assembly further comprises first staples positioned in the first longitudinal row of staple cavities, second staples positioned in the second longitudinal row of staple cavities, and a driver configured to support one of the first staples and one of the second staples, wherein the driver comprises an exterior wall facing toward the drive screw, wherein the exterior wall comprises an arcuate clearance, and wherein the drive screw extends through the arcuate clearance.

[0265] Example 2 - The end effector assembly of Example 1, wherein the drive screw is mounted in the channel prior to seating the replaceable staple cartridge in the channel.

[0266] Example 3 - The end effector assembly of any one of Examples 1 and 2, wherein the channel comprises a mounting bracket configured to receive at least a portion of the drive screw.

[0267] Example 4 - The end effector assembly of any one of Examples 1-3, wherein the drive screw is integrated with the replaceable staple cartridge prior to seating the replaceable staple cartridge in the channel.

[0268] Example 5 - The end effector assembly of any one of Examples 1-4, wherein at least a portion of the drive screw is positioned within the longitudinal slot.

[0269] Example 6 - The end effector assembly of any one of Examples 1-5, wherein the sled is threadably engaged with the drive screw when the replaceable staple cartridge is seated in the channel.

[0270] Example 7 - An end effector assembly for use with a surgical instrument is disclosed. The end effector assembly comprises a staple cartridge jaw, a threaded rod, and a replaceable staple cartridge configured to be seated in the staple cartridge jaw. The replaceable staple cartridge comprises a proximal end, a distal end, a longitudinal slot extending between the proximal end and the distal end, and a driver configured to support a staple, wherein the driver comprises a surface facing the threaded rod, wherein the surface comprises a clearance, and wherein at least a portion of the threaded rod is configured to be received in the clearance when the replaceable staple cartridge is seated in the staple cartridge jaw.

[0271] Example 8 - The end effector assembly of Example 7, further comprising a sled configured to upwardly lift the driver during a staple firing stroke.

[0272] Example 9 - The end effector assembly of any one of Examples 7 and 8, wherein the threaded rod extends within the staple cartridge jaw prior to seating the replaceable staple cartridge in the staple cartridge jaw.

[0273] Example 10 - The end effector assembly of any one of Examples 7-9, wherein the threaded rod is integrated with the replaceable staple cartridge prior to seating the replaceable staple cartridge in the staple cartridge jaw.

[0274] Example 11 - The end effector assembly of any one of Examples 7-10, wherein the staple cartridge jaw comprises a mounting bracket configured to receive at least a portion of the threaded rod.

[0275] Example 12 - The end effector assembly of any one of Examples 7-11, wherein the threaded rod is integrated with the staple cartridge prior to seating the staple cartridge in the staple cartridge jaw.

[0276] Example 13 - The end effector assembly of any one of Examples 7-12, wherein the sled is threadably engaged with said threaded rod.

[0277] Example 14 - The end effector assembly of any one of Examples 7-13, wherein the clearance is arcuate.

[0278] Example 15 - A staple cartridge for use with a surgical instrument is disclosed. The staple cartridge comprises a proximal end, a distal end, a cartridge body, a longitudinal slot extending between the proximal end and the distal end, a drive screw, a first longitudinal row of staple cavities defined in the cartridge body, wherein the first

longitudinal row of staple cavities is positioned alongside the longitudinal slot, and a second longitudinal row of staple cavities defined in the cartridge body, wherein the second longitudinal row of staple cavities is positioned alongside the first longitudinal row of staple cavities. The staple cartridge further comprises first staples positioned in the first longitudinal row of staple cavities, second staples positioned in the second longitudinal row of staple cavities, a driver configured to support one of the first staples and one of the second staples, wherein the driver is configured to move from an unfired configuration to a fired configuration during a staple firing stroke, wherein the driver comprises an interior surface facing toward the drive screw, wherein the interior surface comprises a relief, and wherein the drive screw is at least partially positioned in the relief and a sled configured to upwardly lift the driver from the unfired configuration to the fired configuration.

[0279] Example 16 - The staple cartridge of Example 15, wherein the staple cartridge is configured to be seated in a staple cartridge jaw of an end effector of the surgical instrument, wherein the staple cartridge comprises a recess configured to receive a mounting bracket extending from the staple cartridge jaw, and wherein the mounting bracket is configured to receive at least a portion of the drive screw.

[0280] Example 17 - The staple cartridge of any one of Examples 15 and 16, wherein the relief is arcuate.

[0281] Example 18 - An end effector assembly for use with a surgical instrument is disclosed. The end effector assembly comprises a first jaw, a second jaw, and a replaceable staple cartridge configured to be seated in the first jaw, wherein the replaceable staple cartridge comprises a proximal end, a distal end, a cartridge body, and a longitudinal slot extending between the proximal end and the distal end. The replaceable staple cartridge further comprises a first longitudinal row of staple cavities defined in the cartridge body, wherein the first longitudinal row of staple cavities is positioned alongside the longitudinal slot, a second longitudinal row of staple cavities defined in the cartridge body, wherein the second longitudinal row of staple cavities is positioned alongside the first longitudinal row of staple cavities, first staples positioned in the first longitudinal row of staple cavities, second staples positioned in the second longitudinal row of staple cavities, a driver configured to support one of the first staples

and one of the second staples, wherein the driver is configured to move from an unfired configuration to a fired configuration during a staple firing stroke, and wherein the driver comprises an interior wall comprising a relief, a sled configured to upwardly lift the driver from the unfired configuration to the fired configuration, and a drive screw extending within the first jaw, wherein the drive screw is at least partially positioned in the relief when the replaceable staple cartridge is seated in the first jaw.

[0282] Example 19 - The end effector assembly of Example 18, wherein the first jaw comprises a mounting bracket configured to receive at least a portion of the drive screw.

[0283] Example 20 - The end effector assembly of any one of Examples 18 and 19, wherein the drive screw is integrated with the first jaw prior to seating the replaceable staple cartridge in the first jaw.

[0284] Example Set 4.

[0285] Example 1 - A surgical instrument is disclosed. The surgical instrument comprises an elongate shaft comprising a distal end including a concave surface, an end effector assembly comprising a proximal end including a convex surface, wherein the convex surface is received by the concave surface of the elongate shaft, and wherein the convex surface comprises a first slot and a second slot defined therein, and an articulation assembly. The articulation assembly comprises a first articulation driver comprising a distal end including a first ball, wherein the first ball is received by the first slot and a second articulation driver comprising a distal end including a second ball, wherein the second ball is received by the second slot, and wherein the end effector assembly is rotated in a plane with respect to the elongate shaft when at least one of the first articulation driver and the second articulation driver are driven longitudinally.

[0286] Example 2 - The surgical instrument of Example 1, wherein the end effector assembly further comprises a backstop, wherein the backstop is mounted to the proximal end of the end effector assembly behind the first slot, and wherein the backstop is configured to maintain the first ball in position when the first slot receives the first ball.

[0287] Example 3 - The surgical instrument of any one of Examples 1 and 2, wherein the end effector assembly further comprises a third slot and a fourth slot defined in the convex surface.

[0288] Example 4 - The surgical instrument of Example 3, wherein the first slot, the second slot, the third slot, and the fourth slot are symmetrically positioned about a perimeter of the convex surface.

[0289] Example 5 - The surgical instrument of any one of Examples 3 and 4, wherein the articulation assembly further comprises a third articulation driver and a fourth articulation driver, wherein the third articulation driver comprises a distal end including a third ball, wherein the fourth articulation driver comprises a distal end including a fourth ball, wherein the third ball is received by the third slot, and wherein the fourth ball is received by the fourth slot.

[0290] Example 6 - The surgical instrument of Example 5, wherein the plane is a first plane, and wherein the end effector assembly is rotated in a second plane with respect to the elongate shaft when at least one of the third articulation driver and the fourth articulation driver are driven longitudinally.

[0291] Example 7 - The surgical instrument of any one of Examples 1-6, wherein the first articulation driver and the second articulation driver comprise flexible tubes.

[0292] Example 8 - The surgical instrument of Example 7, wherein each flexible tube comprises a plurality of slits along a length thereof.

[0293] Example 9 - A surgical instrument is disclosed. The surgical instrument comprises an elongate shaft and an end effector extending distally from the elongate shaft, wherein the end effector comprises a proximal end, a distal end, and an interface surface on the proximal end of the end effector, wherein the interface surface comprises a plurality of recesses defined therein. The surgical instrument further comprises a plurality of articulation drive members extending through the elongate shaft, wherein each articulation drive member comprises a distal end including a ball, wherein each ball is received in one of the plurality of recesses, and wherein the articulation drive members are configured to accommodate the articulation of the end effector with respect to the elongate shaft.

[0294] Example 10 - The surgical instrument of Example 9, wherein the plurality of articulation drive members are configured to prevent the end effector from moving away from the elongate shaft in a distal direction.

[0295] Example 11 - The surgical instrument of any one of Examples 9 and 10, wherein the first interface surface is configured to facilitate the alignment between the elongate shaft and the end effector.

[0296] Example 12 - The surgical instrument of any one of Examples 9-11, wherein each articulation drive member is pivotally received in a recess.

[0297] Example 13 - The surgical instrument of any one of Examples 9-12, wherein the end effector is configured to be articulated about a plurality of articulation axes with respect to the elongate shaft.

[0298] Example 14 - The surgical instrument of any one of Examples 9-13, wherein the articulation drive members comprise slitted tubes.

[0299] Example 15 - The surgical instrument of any one of Examples 9-14, wherein the end effector further comprises a backstop mounted to the end effector behind each recess, and wherein each backstop is configured to hold a ball in position.

[0300] Example 16 - An end effector assembly of a surgical instrument is disclosed. The end effector assembly comprises a proximal end, a distal end, a first jaw, a second jaw coupled to the first jaw, wherein at least one of the first jaw and the second jaw is movable relative to the other of the first jaw and the second jaw, an interface surface on the proximal end, wherein the interface surface comprises a plurality of slots defined therein, and a plurality of flexible articulation members, wherein each flexible articulation member comprises a distal end including an enlarged end, wherein each enlarged end is seated in one of the recesses, and wherein the flexible articulation members are configured to articulate the first jaw and the second jaw relative to an elongate shaft of the surgical instrument.

[0301] Example 17 - The end effector assembly of Example 16, wherein the plurality of flexible articulation drive members are configured to align the first jaw and the second jaw with respect to the elongate shaft of the surgical instrument.

[0302] Example 18 - The end effector assembly of any one of Examples 16 and 17, wherein the interface surface is convex.

[0303] Example 19 - The end effector assembly of any one of Examples 16-18, wherein the recesses are symmetrically defined about a perimeter of the interface surface.

[0304] Example 20 - The end effector assembly of any one of Examples 16-19, wherein each flexible articulation member comprises a tube having slits therein.

[0305] Many of the surgical instrument systems described herein are motivated by an electric motor; however, the surgical instrument systems described herein can be motivated in any suitable manner. In various instances, the surgical instrument systems described herein can be motivated by a manually-operated trigger, for example. In certain instances, the motors disclosed herein may comprise a portion or portions of a robotically controlled system. Moreover, any of the end effectors and/or tool assemblies disclosed herein can be utilized with a robotic surgical instrument system. U.S. Patent Application Serial No. 13/118,241, entitled SURGICAL STAPLING INSTRUMENTS WITH ROTATABLE STAPLE DEPLOYMENT ARRANGEMENTS, now U.S. Patent No. 9,072,535, for example, discloses several examples of a robotic surgical instrument system in greater detail.

[0306] The surgical instrument systems described herein have been described in connection with the deployment and deformation of staples; however, the embodiments described herein are not so limited. Various embodiments are envisioned which deploy fasteners other than staples, such as clamps or tacks, for example. Moreover, various embodiments are envisioned which utilize any suitable means for sealing tissue. For instance, an end effector in accordance with various embodiments can comprise electrodes configured to heat and seal the tissue. Also, for instance, an end effector in accordance with certain embodiments can apply vibrational energy to seal the tissue.

[0307] The entire disclosures of:

- U.S. Patent Application Publication 2017/0265954, entitled STAPLER WITH CABLE-DRIVEN ADVANCEABLE CLAMPING ELEMENT AND DUAL DISTAL PULLEYS, published September 21, 2017;
- U.S. Patent Application Publication 2017/0265865, entitled STAPLER WITH CABLE-DRIVEN ADVANCEABLE CLAMPING ELEMENT AND DISTAL PULLEY, published September 21, 2017;
- U.S. Patent No. 9,844,369, entitled SURGICAL END EFFECTORS WITH FIRING ELEMENT MONITORING ARRANGEMENTS, which issued on December 19, 2017;

- U.S. Patent No. 9,808,246, entitled METHOD OF OPERATING A POWERED SURGICAL INSTRUMENT, which issued on November 7, 2017;
- U.S. Patent No. 7,490,749, entitled SURGICAL STAPLING AND CUTTING INSTRUMENT WITH MANUALLY RETRACTABLE FIRING MEMBER, which issued on February 17, 2009;
- U.S. Patent No. 9,370,364, entitled POWERED SURGICAL CUTTING AND STAPLING APPARATUS WITH MANUALLY RETRACTABLE FIRING SYSTEM, which issued on June 21, 2016;
- U.S. Patent No. 9,814,460, entitled MODULAR MOTOR DRIVEN SURGICAL INSTRUMENTS WITH STATUS INDICATION ARRANGEMENTS, which issued on November 14, 2017;
- U.S. Patent No. 8,820,605, entitled ROBOTICALLY-CONTROLLED SURGICAL INSTRUMENTS, which issued on September 2, 2014;
- U.S. Patent No. 9,095,339, entitled DETACHABLE MOTOR POWERED SURGICAL INSTRUMENT, which issued on August 4, 2015;
- U.S. Patent No. 8,998,058, entitled DETACHABLE MOTOR POWERED SURGICAL INSTRUMENT, which issued on April 7, 2015;
- U.S. Patent No. 9,445,813, entitled CLOSURE INDICATOR SYSTEMS FOR SURGICAL INSTRUMENTS, which issued on September 20, 2016;
- U.S. Patent No. 9,072,535, entitled SURGICAL STAPLING INSTRUMENTS WITH ROTABLE STAPLE DEPLOYMENT ARRANGEMENTS, which issued on July 7, 2015;
- U.S. Patent No. 9,700,310, entitled FIRING MEMBER RETRACTION DEVICES FOR POWERED SURGICAL INSTRUMENTS, which issued on July 11, 2017;
- U.S. Patent No. 9,439,651, entitled METHODS FOR CRYPTOGRAPHIC IDENTIFICATION OF INTERCHANGEABLE PARTS FOR SURGICAL INSTRUMENTS, which issued on September 13, 2016;
- U.S. Patent No. 9,517,068, entitled SURGICAL INSTRUMENT WITH AUTOMATICALLY-RETURNED FIRING MEMBER, which issued on December 13, 2016;

- U.S. Patent No. 5,667,517, entitled ENDOSCOPIC SURGICAL SYSTEM WITH SENSING MEANS, which issued on September 16, 1997;
- U.S. Patent No. 9,675,348, entitled ELECTRICAL SURGICAL INSTRUMENT WITH KNIFE RETURN, which issued on June 13, 2017;
- U.S. Patent No. 9,393,015, entitled MOTOR DRIVEN SURGICAL FASTENER DEVICE WITH CUTTING MEMBER REVERSING MECHANISM, which issued on July 19, 2016;
- U.S. Patent No. 10,004,500, entitled DEVICES AND METHODS FOR MANUALLY RETRACTING A DRIVE SHAFT, DRIVE BEAM, AND ASSOCIATED COMPONENTS OF A SURGICAL FASTENING DEVICE, which issued on June 26, 2018;
- U.S. Patent No. 9,326,770, entitled SURGICAL INSTRUMENT, which issued on May 3, 2016;
- U.S. Patent No. 8,602,287, entitled MOTOR-DRIVEN SURGICAL CUTTING INSTRUMENT, which issued on December 10, 2013;
- U.S. Patent No. 8,113,410, entitled SURGICAL STAPLING APPARATUS WITH CONTROL FEATURES, which issued on February 14, 2012;
- U.S. Patent No. 7,959,050, entitled ELECTRICALLY SELF-POWERED SURGICAL INSTRUMENT WITH MANUAL RELEASE, which issued on June 14, 2011;
- U.S. Patent No. 8,608,045, entitled POWERED SURGICAL CUTTING AND STAPLING APPARATUS WITH MANUALLY RETRACTABLE FIRING SYSTEM, which issued on December 17, 2013;
- U.S. Patent No. 8,672,951, entitled ELECTRICALLY SELF-POWERED SURGICAL INSTRUMENT WITH MANUAL RELEASE, which issued on March 18, 2014;
- U.S. Patent No. 9,554,803, entitled ELECTRICALLY SELF-POWERED SURGICAL INSTRUMENT WITH MANUAL RELEASE, which issued on January 31, 2017;
- U.S. Patent No. 9,585,658, entitled STAPLING SYSTEMS, which issued on March 7, 2017;

- U.S. Patent No. 8,616,431, entitled SHIFTABLE DRIVE INTERFACE FOR ROBOTICALLY-CONTROLLED SURGICAL TOOL, which issued on December 31, 2013;
- U.S. Patent No. 8,479,969, entitled DRIVE INTERFACE FOR OPERABLY COUPLING A MANIPULATABLE SURGICAL TOOL TO A ROBOT, which issued on July 9, 2013;
- U.S. Patent No. 9,113,874, entitled SURGICAL INSTRUMENT SYSTEM, which issued on August 25, 2015;
- U.S. Patent No. 8,991,677, entitled DETACHABLE MOTOR POWERED SURGICAL INSTRUMENT, which issued on March 31, 2015;
- U.S. Patent No. 9,084,601, entitled DETACHABLE MOTOR POWERED SURGICAL INSTRUMENT, which issued on July 21, 2015;
- U.S. Patent No. 9,408,606, entitled ROBOTICALLY POWERED SURGICAL DEVICE WITH MANUALLY-ACTUATABLE REVERSING SYSTEM, which issued on August 9, 2016;
- U.S. Patent No. 10,028,761, entitled FEEDBACK ALGORITHMS FOR MANUAL BAILOUT SYSTEMS FOR SURGICAL INSTRUMENTS, which issued on July 24, 2018;
- U.S. Patent No. 9,655,614, entitled ROBOTICALLY-CONTROLLED MOTORIZED SURGICAL INSTRUMENT WITH AN END EFFECTOR, which issued on May 23, 2017; and
- U.S. Patent No. 9,060,770, entitled ROBOTICALLY-DRIVEN SURGICAL INSTRUMENT WITH E-BEAM DRIVER, which issued on June 23, 2015, are hereby incorporated by reference herein.

[0308] The entire disclosures of:

- U.S. Patent No. 5,403,312, entitled ELECTROSURGICAL HEMOSTATIC DEVICE, which issued on April 4, 1995;
- U.S. Patent No. 7,000,818, entitled SURGICAL STAPLING INSTRUMENT HAVING SEPARATE DISTINCT CLOSING AND FIRING SYSTEMS, which issued on February 21, 2006;

- U.S. Patent No. 7,422,139, entitled MOTOR-DRIVEN SURGICAL CUTTING AND FASTENING INSTRUMENT WITH TACTILE POSITION FEEDBACK, which issued on September 9, 2008;
- U.S. Patent No. 7,464,849, entitled ELECTRO-MECHANICAL SURGICAL INSTRUMENT WITH CLOSURE SYSTEM AND ANVIL ALIGNMENT COMPONENTS, which issued on December 16, 2008;
- U.S. Patent No. 7,670,334, entitled SURGICAL INSTRUMENT HAVING AN ARTICULATING END EFFECTOR, which issued on March 2, 2010;
- U.S. Patent No. 7,753,245, entitled SURGICAL STAPLING INSTRUMENTS, which issued on July 13, 2010;
- U.S. Patent No. 8,393,514, entitled SELECTIVELY ORIENTABLE IMPLANTABLE FASTENER CARTRIDGE, which issued on March 12, 2013;
- U.S. Patent Application Serial No. 11/343,803, entitled SURGICAL INSTRUMENT HAVING RECORDING CAPABILITIES, now U.S. Patent No. 7,845,537;
- U.S. Patent Application Serial No. 12/031,573, entitled SURGICAL CUTTING AND FASTENING INSTRUMENT HAVING RF ELECTRODES, filed February 14, 2008;
- U.S. Patent Application Serial No. 12/031,873, entitled END EFFECTORS FOR A SURGICAL CUTTING AND STAPLING INSTRUMENT, filed February 15, 2008, now U.S. Patent No. 7,980,443;
- U.S. Patent Application Serial No. 12/235,782, entitled MOTOR-DRIVEN SURGICAL CUTTING INSTRUMENT, now U.S. Patent No. 8,210,411;
- U.S. Patent Application Serial No. 12/235,972, entitled MOTORIZED SURGICAL INSTRUMENT, now U.S. Patent No. 9,050,083.
- U.S. Patent Application Serial No. 12/249,117, entitled POWERED SURGICAL CUTTING AND STAPLING APPARATUS WITH MANUALLY RETRACTABLE FIRING SYSTEM, now U.S. Patent No. 8,608,045;
- U.S. Patent Application Serial No. 12/647,100, entitled MOTOR-DRIVEN SURGICAL CUTTING INSTRUMENT WITH ELECTRIC ACTUATOR DIRECTIONAL CONTROL ASSEMBLY, filed December 24, 2009, now U.S. Patent No. 8,220,688;
- U.S. Patent Application Serial No. 12/893,461, entitled STAPLE CARTRIDGE, filed September 29, 2012, now U.S. Patent No. 8,733,613;

- U.S. Patent Application Serial No. 13/036,647, entitled SURGICAL STAPLING INSTRUMENT, filed February 28, 2011, now U.S. Patent No. 8,561,870;
- U.S. Patent Application Serial No. 13/118,241, entitled SURGICAL STAPLING INSTRUMENTS WITH ROTATABLE STAPLE DEPLOYMENT ARRANGEMENTS, now U.S. Patent No. 9,072,535;
- U.S. Patent Application Serial No. 13/524,049, entitled ARTICULATABLE SURGICAL INSTRUMENT COMPRISING A FIRING DRIVE, filed on June 15, 2012, now U.S. Patent No. 9,101,358;
- U.S. Patent Application Serial No. 13/800,025, entitled STAPLE CARTRIDGE TISSUE THICKNESS SENSOR SYSTEM, filed on March 13, 2013, now U.S. Patent No. 9,345,481;
- U.S. Patent Application Serial No. 13/800,067, entitled STAPLE CARTRIDGE TISSUE THICKNESS SENSOR SYSTEM, filed on March 13, 2013, now U.S. Patent Application Publication No. 2014/0263552;
- U.S. Patent Application Publication No. 2007/0175955, entitled SURGICAL CUTTING AND FASTENING INSTRUMENT WITH CLOSURE TRIGGER LOCKING MECHANISM, filed January 31, 2006; and
- U.S. Patent Application Publication No. 2010/0264194, entitled SURGICAL STAPLING INSTRUMENT WITH AN ARTICULATABLE END EFFECTOR, filed April 22, 2010, now U.S. Patent No. 8,308,040, are hereby incorporated by reference herein.

[0309] Although various devices have been described herein in connection with certain embodiments, modifications and variations to those embodiments may be implemented. Particular features, structures, or characteristics may be combined in any suitable manner in one or more embodiments. Thus, the particular features, structures, or characteristics illustrated or described in connection with one embodiment may be combined in whole or in part, with the features, structures or characteristics of one or more other embodiments without limitation. Also, where materials are disclosed for certain components, other materials may be used. Furthermore, according to various embodiments, a single component may be replaced by multiple components, and multiple components may be replaced by a single component, to perform a given

function or functions. The foregoing description and following claims are intended to cover all such modification and variations.

[0310] The devices disclosed herein can be designed to be disposed of after a single use, or they can be designed to be used multiple times. In either case, however, a device can be reconditioned for reuse after at least one use. Reconditioning can include any combination of the steps including, but not limited to, the disassembly of the device, followed by cleaning or replacement of particular pieces of the device, and subsequent reassembly of the device. In particular, a reconditioning facility and/or surgical team can disassemble a device and, after cleaning and/or replacing particular parts of the device, the device can be reassembled for subsequent use. Those skilled in the art will appreciate that reconditioning of a device can utilize a variety of techniques for disassembly, cleaning/replacement, and reassembly. Use of such techniques, and the resulting reconditioned device, are all within the scope of the present application.

[0311] The devices disclosed herein may be processed before surgery. First, a new or used instrument may be obtained and, when necessary, cleaned. The instrument may then be sterilized. In one sterilization technique, the instrument is placed in a closed and sealed container, such as a plastic or TYVEK bag. The container and instrument may then be placed in a field of radiation that can penetrate the container, such as gamma radiation, x-rays, and/or high-energy electrons. The radiation may kill bacteria on the instrument and in the container. The sterilized instrument may then be stored in the sterile container. The sealed container may keep the instrument sterile until it is opened in a medical facility. A device may also be sterilized using any other technique known in the art, including but not limited to beta radiation, gamma radiation, ethylene oxide, plasma peroxide, and/or steam.

[0312] While these inventions have been described as having exemplary designs, the present inventions may be further modified within the spirit and scope of the disclosure. This application is therefore intended to cover any variations, uses, or adaptations of the inventions using their general principles.

WHAT IS CLAIMED IS:

1. An end effector assembly for use with a surgical instrument, wherein said end effector assembly comprises:
 - a first jaw defining a channel therein;
 - a second jaw;
 - a threaded rod extending within said channel;
 - a replaceable staple cartridge comprising a sled, wherein said replaceable staple cartridge is configured to be seated in said channel; and
 - a firing member operably engaged with said threaded rod, wherein said sled and said firing member are configured to move from a proximal position toward a distal position when said threaded rod is rotated in a first direction.
2. The end effector assembly of Claim 1, wherein said firing member is configured to move from said distal position toward said proximal position when said threaded rod is rotated in a second direction, and wherein said sled does not move from said distal position toward said proximal position when said threaded rod is rotated in said second direction.
3. The end effector assembly of Claim 1, wherein at least a portion of said firing member is configured to engage said second jaw during a staple firing stroke.
4. The end effector assembly of Claim 1, wherein said sled is snap-fit onto said threaded rod when said replaceable staple cartridge is seated in said channel.
5. The end effector assembly of Claim 1, wherein said sled is configured to threadably engage said threaded rod when said replaceable staple cartridge is seated in said channel.
6. The end effector assembly of Claim 1, wherein said firing member is operably engaged with said threaded rod prior to seating of said replaceable staple cartridge in said channel.

7. The end effector assembly of Claim 1, wherein said firing member comprises a tissue cutting member.

8. The end effector assembly of Claim 1, wherein said sled comprises a bottom surface configured to interface said threaded rod when said replaceable staple cartridge is seated in said channel, and wherein at least a portion of said bottom surface comprises a sled thread.

9. The end effector assembly of Claim 8, wherein said sled thread comprises a first side configured to engage said threaded rod when said threaded rod is rotated in said first direction, wherein said sled thread comprises a second side configured to slip over said threaded rod when said threaded rod is rotated in a second direction, wherein said first side comprises a sharp edge, and wherein said second side comprises a rounded edge.

10. The end effector assembly of Claim 8, wherein said threaded rod comprises a rod thread, wherein said rod thread comprises a first side configured to engage said sled thread when said threaded rod is rotated in said first direction, wherein said rod thread comprises a second side configured to slip over said sled thread when said threaded rod is rotated in a second direction, wherein said first side comprises a sharp edge, and wherein said second side comprises a rounded edge.

11. The end effector assembly of Claim 10, wherein said rounded edge comprises a degree of curvature, and wherein said degree of curvature varies along a length of said threaded rod.

12. The end effector assembly of Claim 1, wherein said first jaw comprises a mounting bracket in said channel, and wherein said mounting bracket is configured to receive at least a portion of said threaded rod.

13. The end effector assembly of Claim 1, wherein said sled is releasably coupled to said firing member when said replaceable staple cartridge is seated in said channel.
14. An end effector assembly, comprising:
a first jaw;
a second jaw;
a rotatable drive screw extending within said first jaw;
a replaceable staple cartridge configured to be seated in said first jaw, wherein said replaceable staple cartridge comprises a sled; and
a firing member configured to operably engage said rotatable drive screw, wherein said sled is configured to be positioned distal to said firing member on said rotatable drive screw when said replaceable staple cartridge is seated in said first jaw, and wherein said firing member is configured to push said sled from a proximal position toward a distal position when said rotatable drive screw is rotated in a first direction.
15. The end effector assembly of Claim 14, wherein said rotatable drive screw is mounted within said first jaw prior to seating said replaceable staple cartridge in said first jaw.
16. The end effector assembly of Claim 14, wherein said replaceable staple cartridge comprises a clearance, and wherein at least a portion of said rotatable drive screw is positioned in said clearance when said replaceable staple cartridge is seated in said first jaw.
17. The end effector assembly of Claim 14, wherein said firing member is configured to move from said distal position toward said proximal position when said rotatable drive screw is rotated in a second direction, and wherein said sled does not move from said distal position toward said proximal position when said rotatable drive screw is rotated in said second direction.

18. The end effector assembly of Claim 14, wherein said sled comprises a bottom surface configured to interface said rotatable drive screw when said replaceable staple cartridge is seated in said first jaw, and wherein at least a portion of said bottom surface comprises a sled thread.

19. The end effector assembly of Claim 18, wherein said sled thread comprises a first side configured to engage said rotatable drive screw when said rotatable drive screw is rotated in said first direction, wherein said sled thread comprises a second side configured to allow said sled to slip with respect to said rotatable drive screw when said rotatable drive screw is rotated in a second direction, wherein said first side comprises a sharp edge, and wherein said second side comprises a rounded edge.

20. A staple cartridge for use with a surgical stapling instrument, comprising:
a cartridge body comprising a distal end;
staples removably stored in said cartridge body;
drivers configured to drive said staples out of said cartridge body; and
a sled configured to be positioned on a threaded rod of the surgical stapling instrument when said staple cartridge is seated in a staple cartridge jaw of an end effector of the surgical stapling instrument, wherein said sled is driven distally by said threaded rod when said threaded rod is rotated.

21. A staple cartridge for use with a surgical stapling instrument, comprising:
a cartridge body comprising a distal end;
staples removably stored in said cartridge body;
drivers configured to drive said staples out of said cartridge body; and
a sled configured to be positioned distal to a firing member on a threaded rod of the surgical stapling instrument when said staple cartridge is seated in a staple cartridge jaw of an end effector of the surgical stapling instrument, wherein said sled is pushed distally by the firing member when said threaded rod is rotated.

22. An end effector assembly, comprising:

a first jaw;
a second jaw;
a rotatable drive screw extending within said first jaw;
a replaceable staple cartridge configured to be seated in said first jaw, wherein said replaceable staple cartridge comprises:
a sled positioned on said rotatable drive screw when said replaceable staple cartridge is seated in said first jaw, wherein said sled comprises a bottom surface comprising a sled thread, wherein said sled thread comprises:
a first side configured to engage said rotatable drive screw when said rotatable drive screw is rotated in a first direction; and
a second side configured to allow said sled to slip with respect to said rotatable drive screw when said rotatable drive screw is rotated in a second direction, wherein said first side comprises a sharp edge, and wherein said second side comprises a rounded edge; and
a firing member operably engaged with said rotatable drive screw, wherein said sled is positioned distal to said firing member on said rotatable drive screw, wherein said sled and said firing member are configured to move from a proximal position toward a distal position when said rotatable drive screw is rotated in said first direction, wherein said firing member is configured to move from said distal position to said proximal position when said rotatable drive screw is rotated in said second direction, and wherein said sled does not move from said distal position toward said proximal position when said rotatable drive screw is rotated in said second direction.

23. The end effector assembly of Claim 22, wherein said sled is releasably coupled to said firing member.

24. The end effector assembly of Claim 22, wherein said rotatable drive screw is integrated with said first jaw prior to seating said replaceable staple cartridge in said first jaw.

25. An end effector assembly, comprising:

a first jaw;

a second jaw;

a rotatable drive screw extending within said first jaw, wherein said rotatable drive screw comprises a drive screw thread extending along a length of said rotatable drive screw;

a replaceable staple cartridge configured to be seated in said first jaw, wherein said replaceable staple cartridge comprises:

a sled positioned over said rotatable drive screw when said replaceable staple cartridge is seated in said first jaw, wherein said sled comprises a bottom surface comprising a sled thread, and wherein said drive screw thread comprises:

a first side configured to engage said sled thread when said rotatable drive screw is rotated in a first direction; and

a second side configured to allow said sled to slip with respect to said rotatable drive screw when said rotatable drive screw is rotated in a second direction, wherein said first side comprises a sharp edge, and wherein said second side comprises a rounded edge; and

a firing member operably engaged with said rotatable drive screw, wherein said sled is positioned distal to said firing member on said rotatable drive screw, and wherein said sled and said firing member are configured to move from a proximal position toward a distal position when said rotatable drive screw is rotated in said first direction.

26. The end effector assembly of Claim 25, wherein said sled is releasably coupled to said firing member.

27. The end effector assembly of Claim 25, wherein said rotatable drive screw is integrated with said first jaw prior to seating said replaceable staple cartridge in said first jaw.

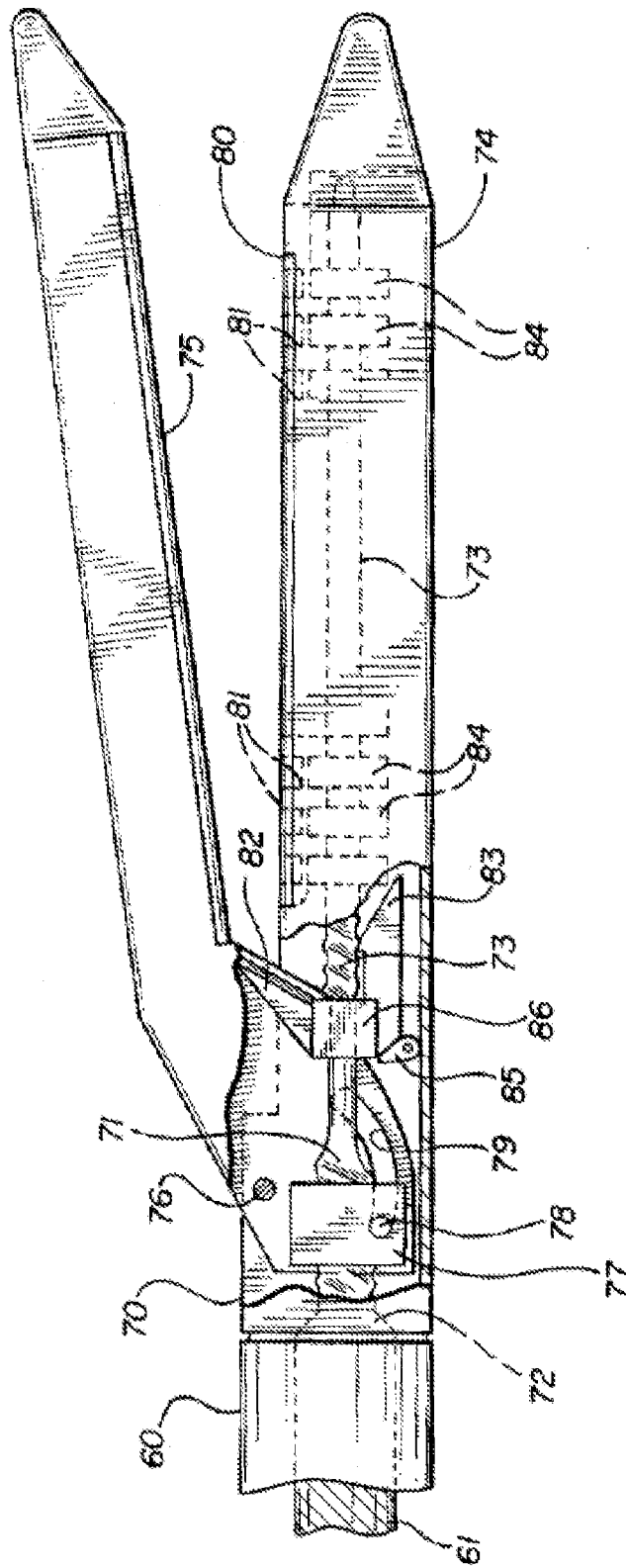


FIG. 1

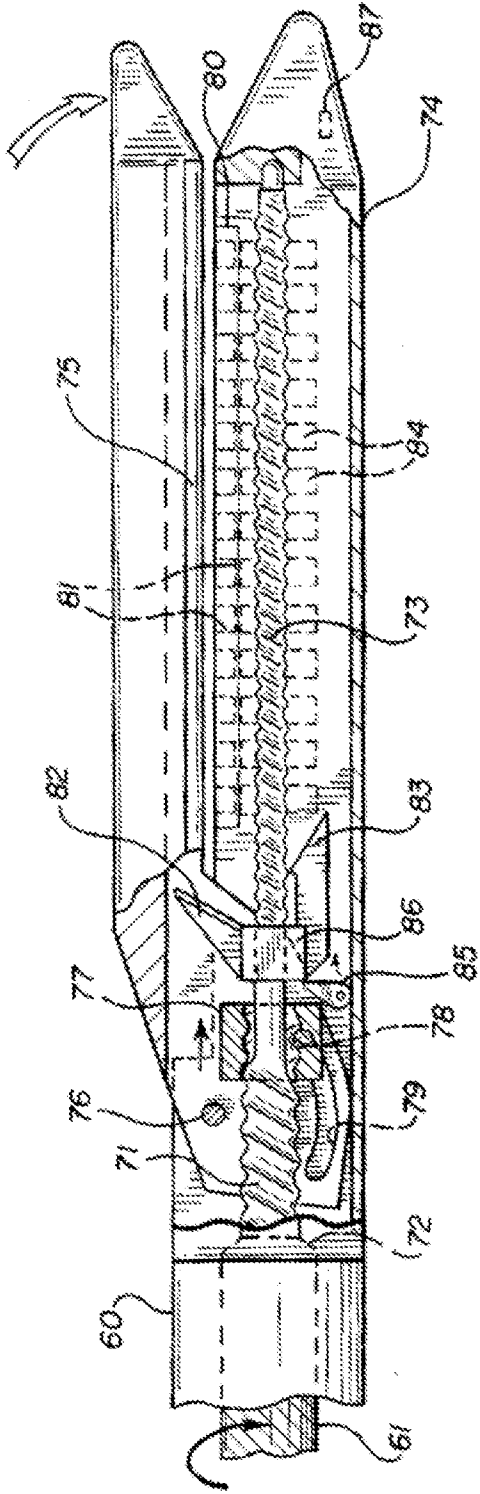


FIG. 2

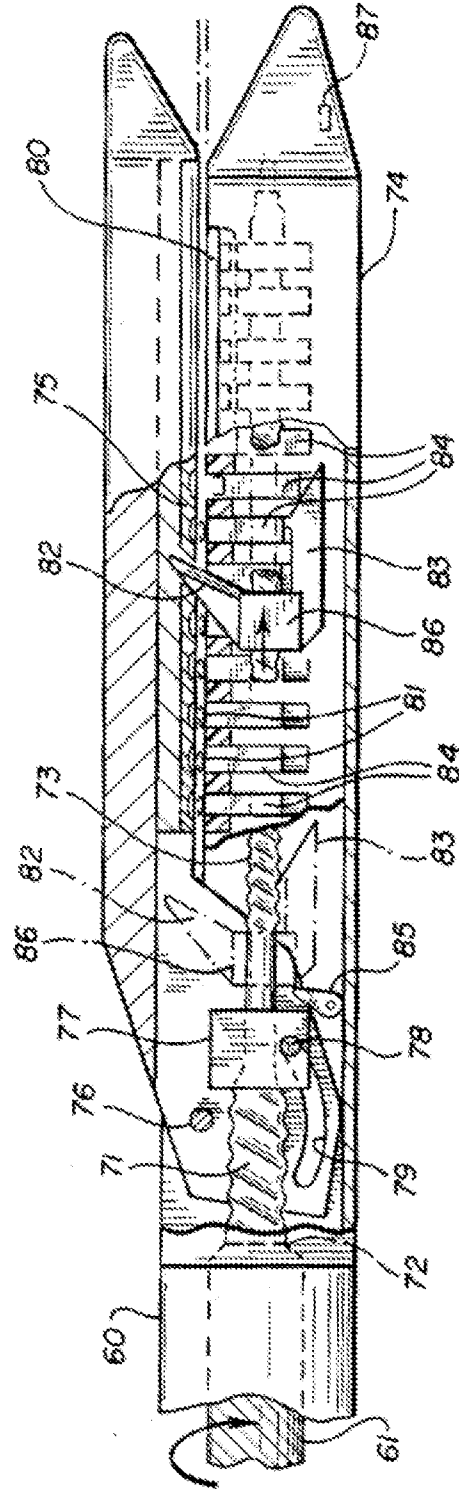


FIG. 3

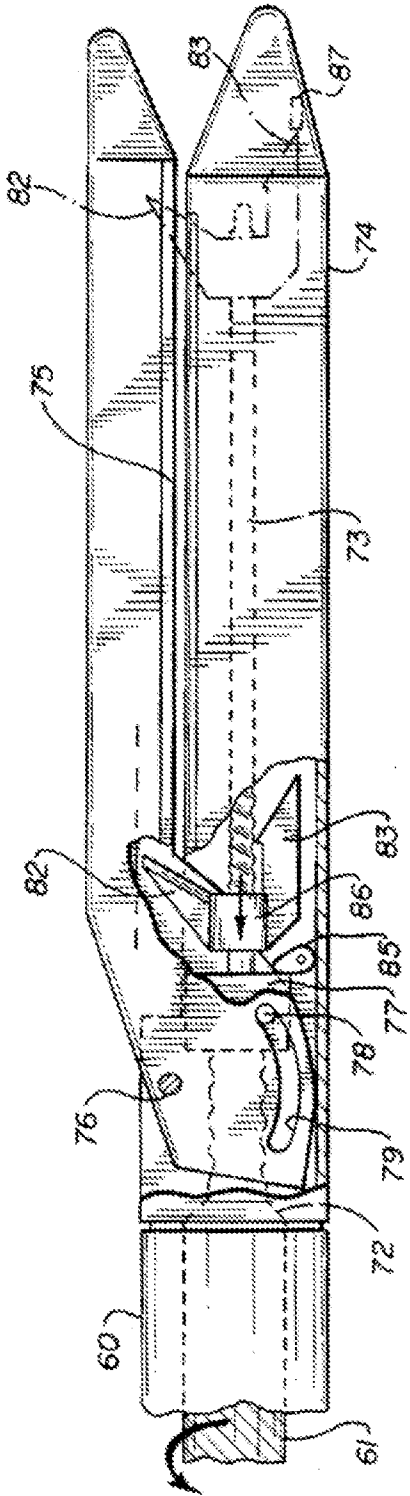


FIG. 4

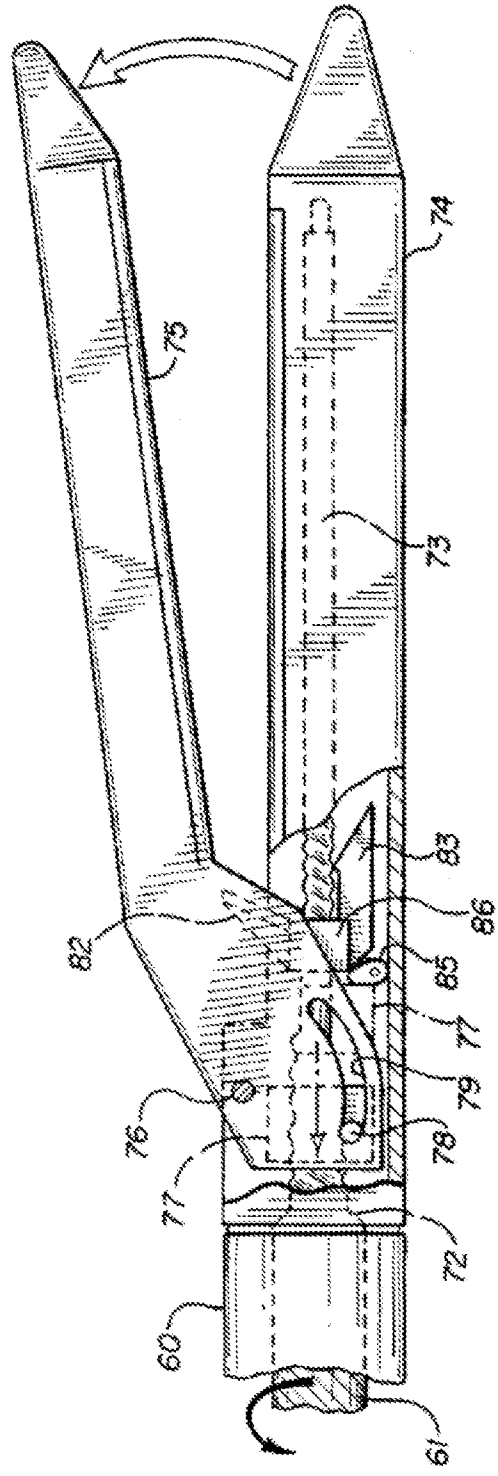


FIG. 5

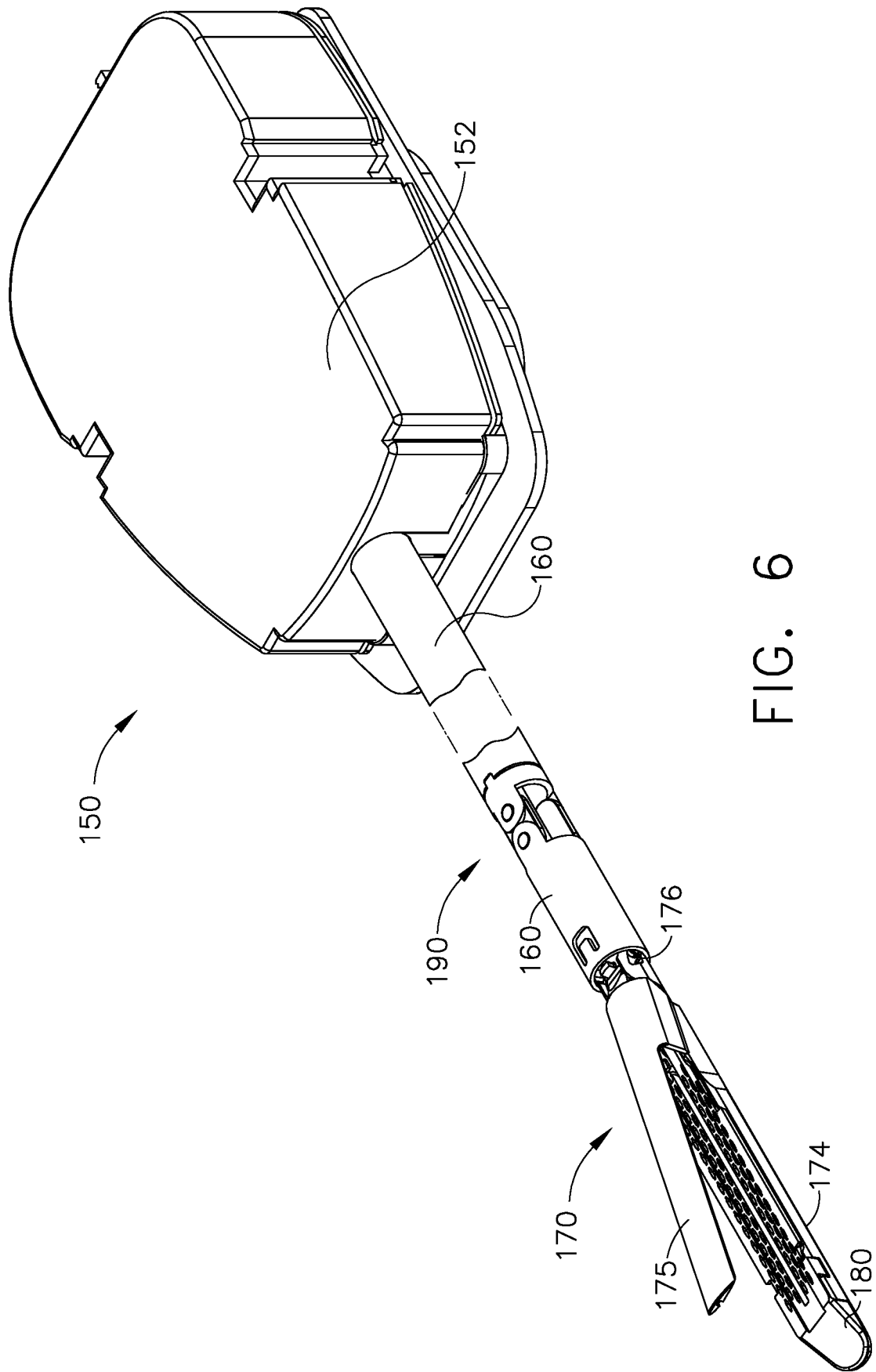


FIG. 6

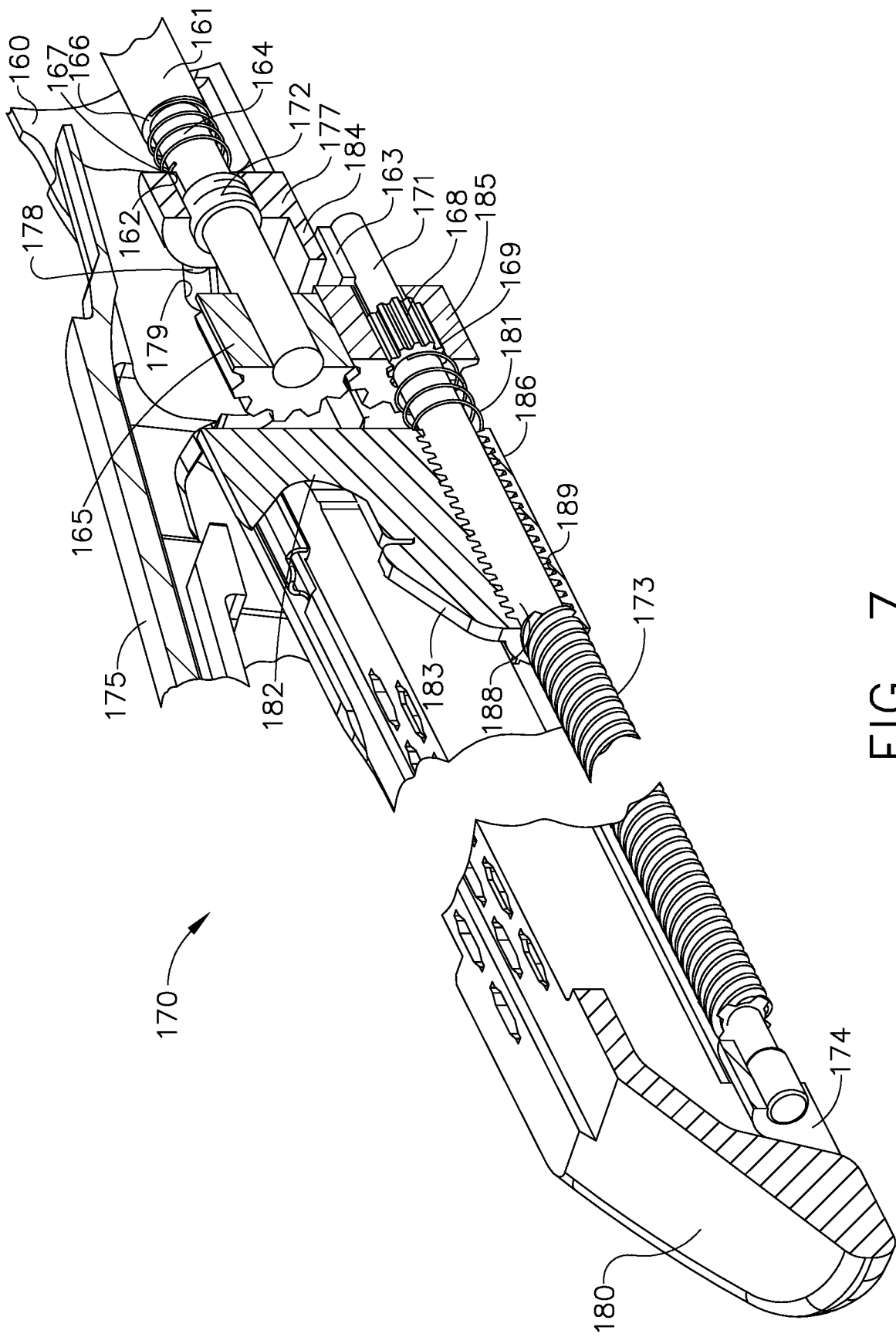


FIG. 7

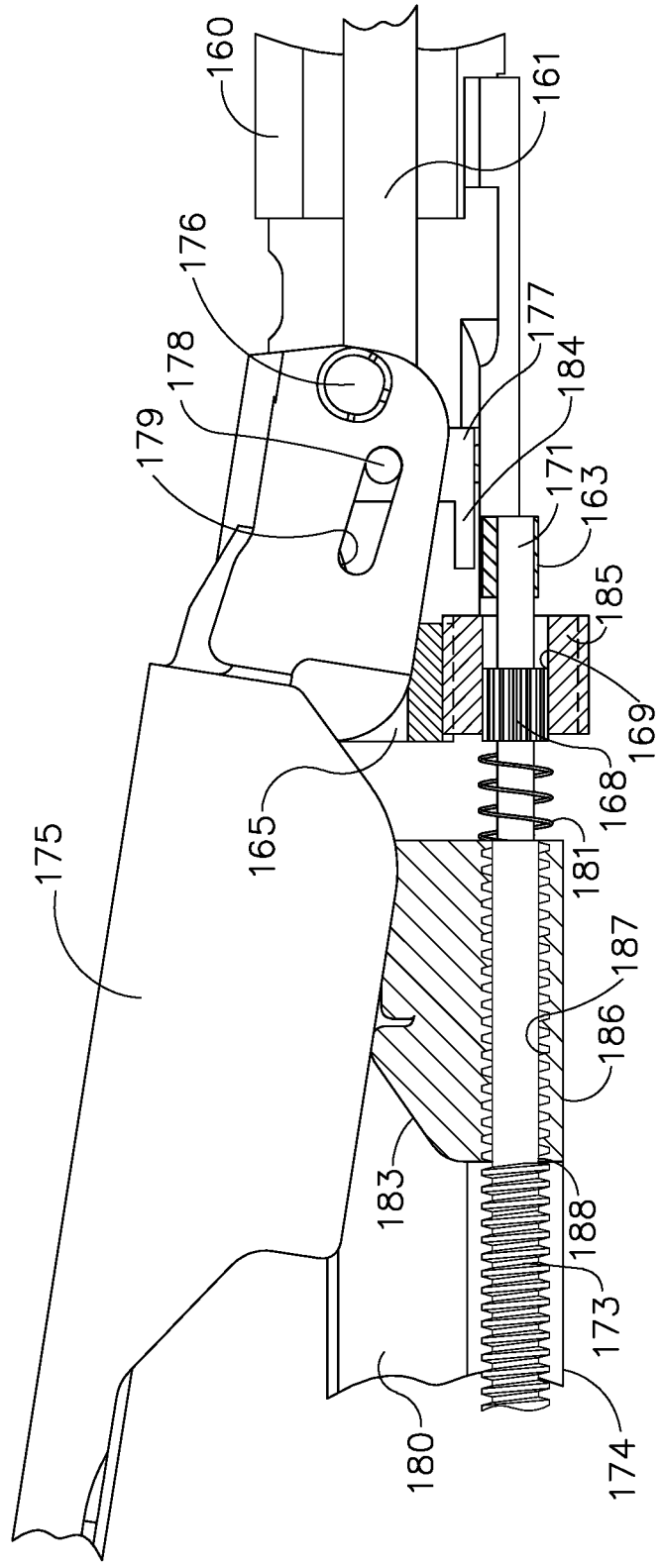


FIG. 8

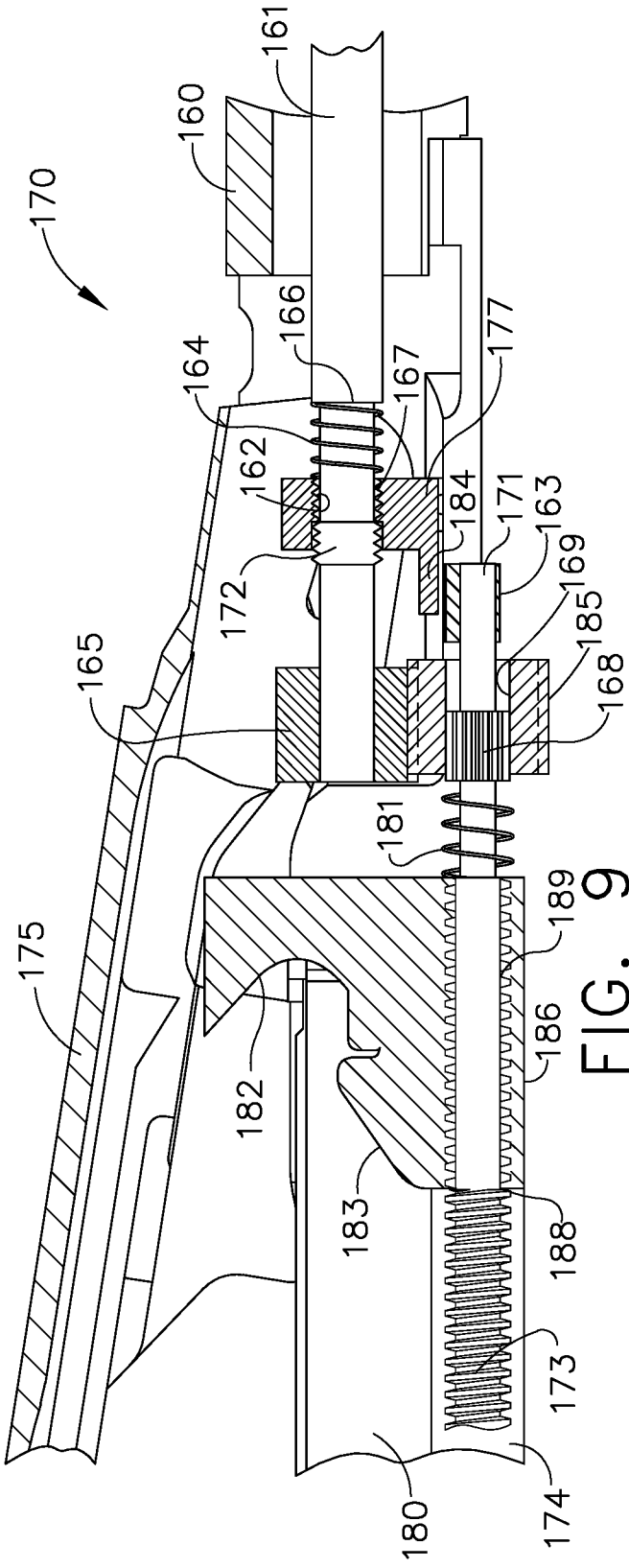


FIG. 9

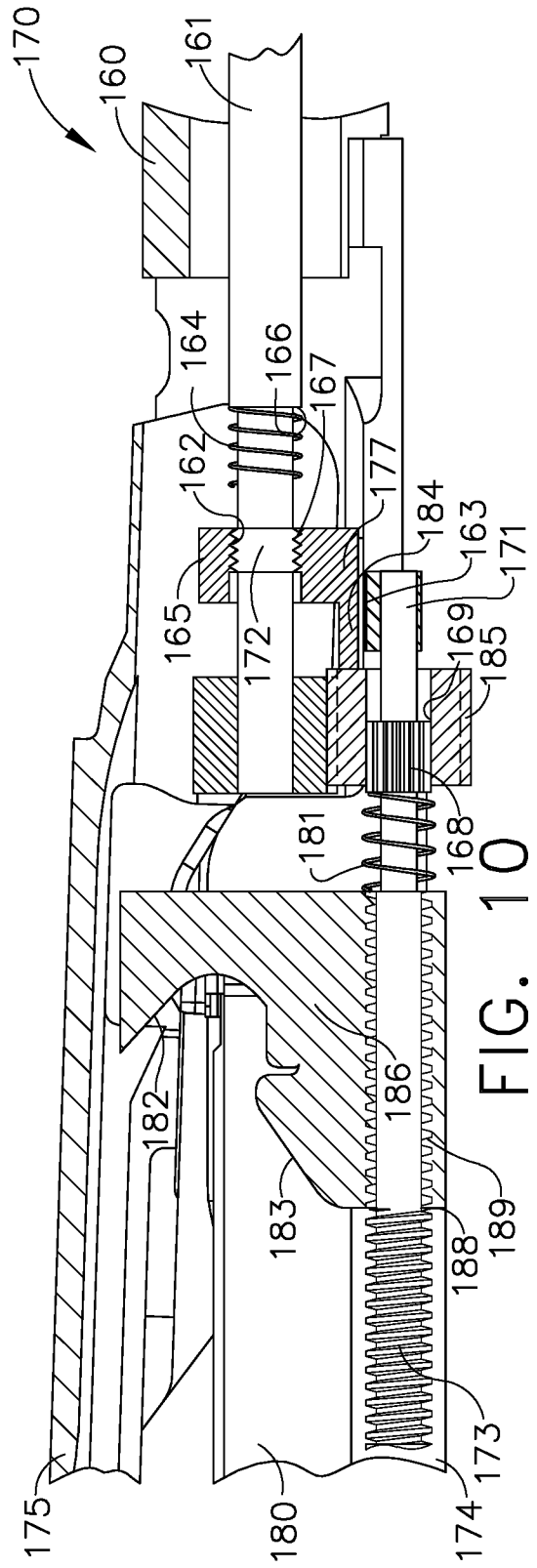


FIG. 10

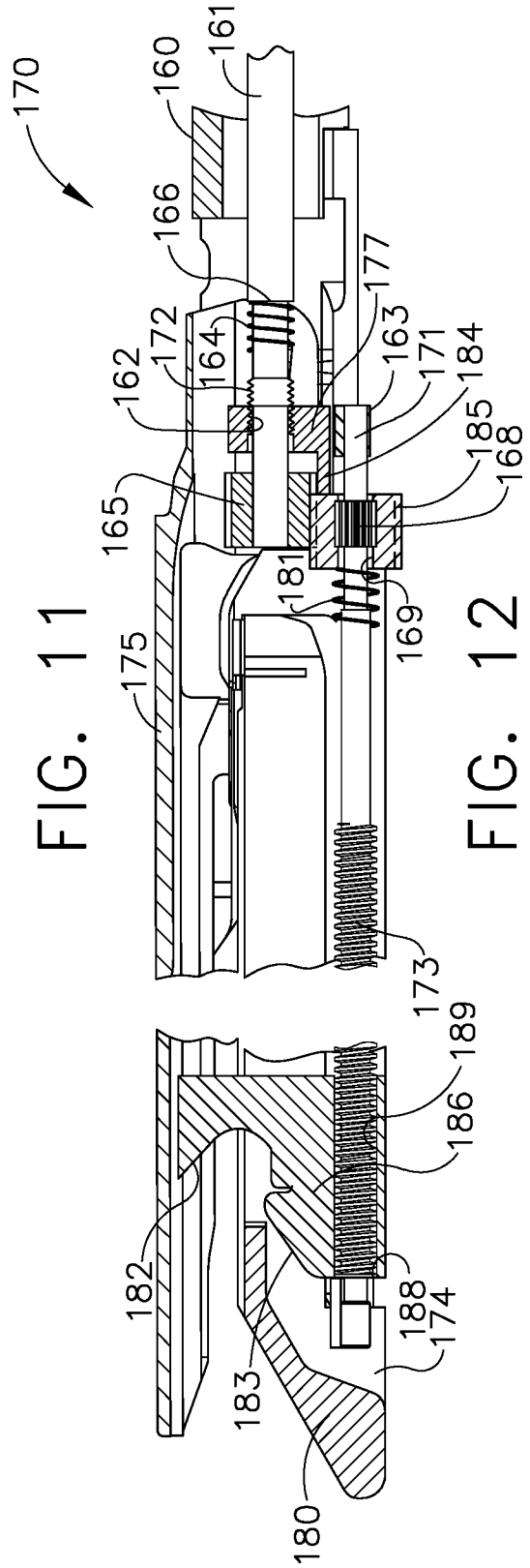
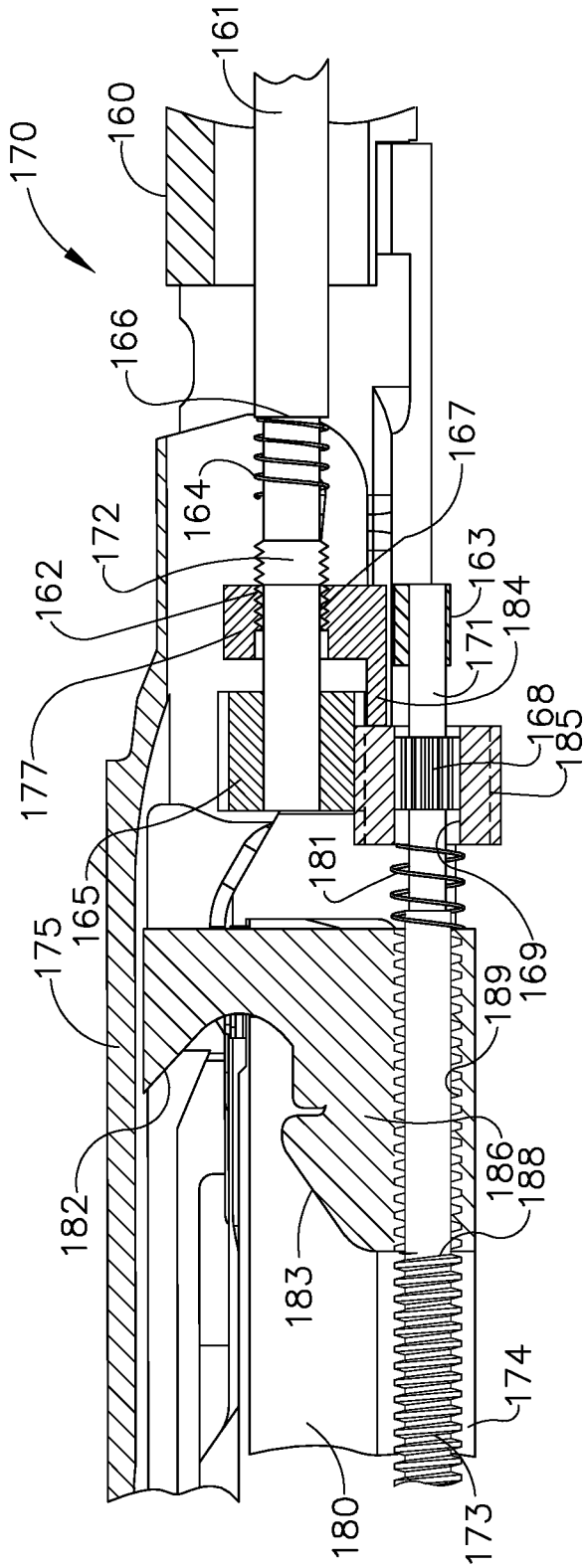


FIG. 11

FIG. 12

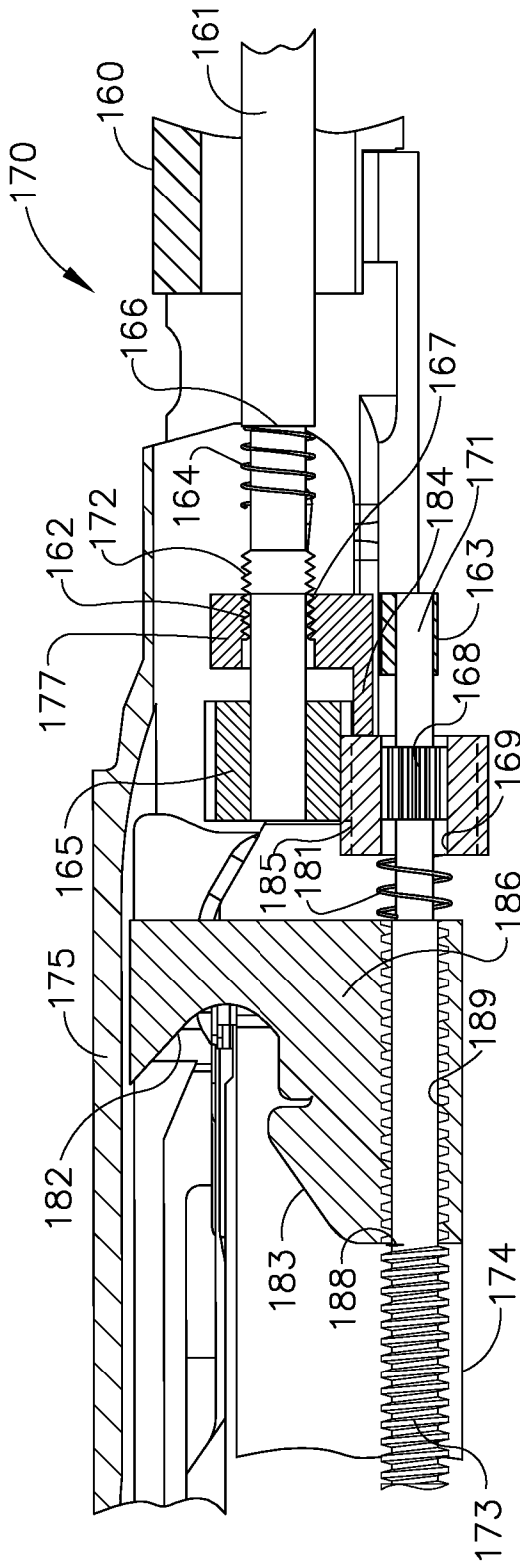


FIG. 13

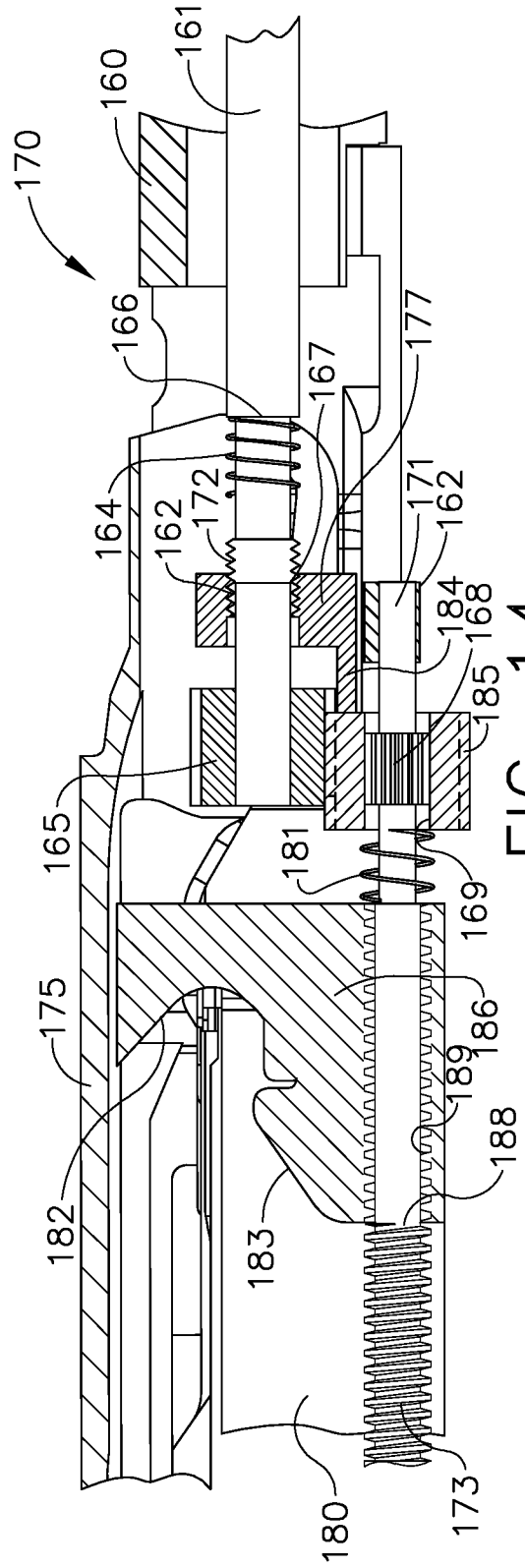


FIG. 14

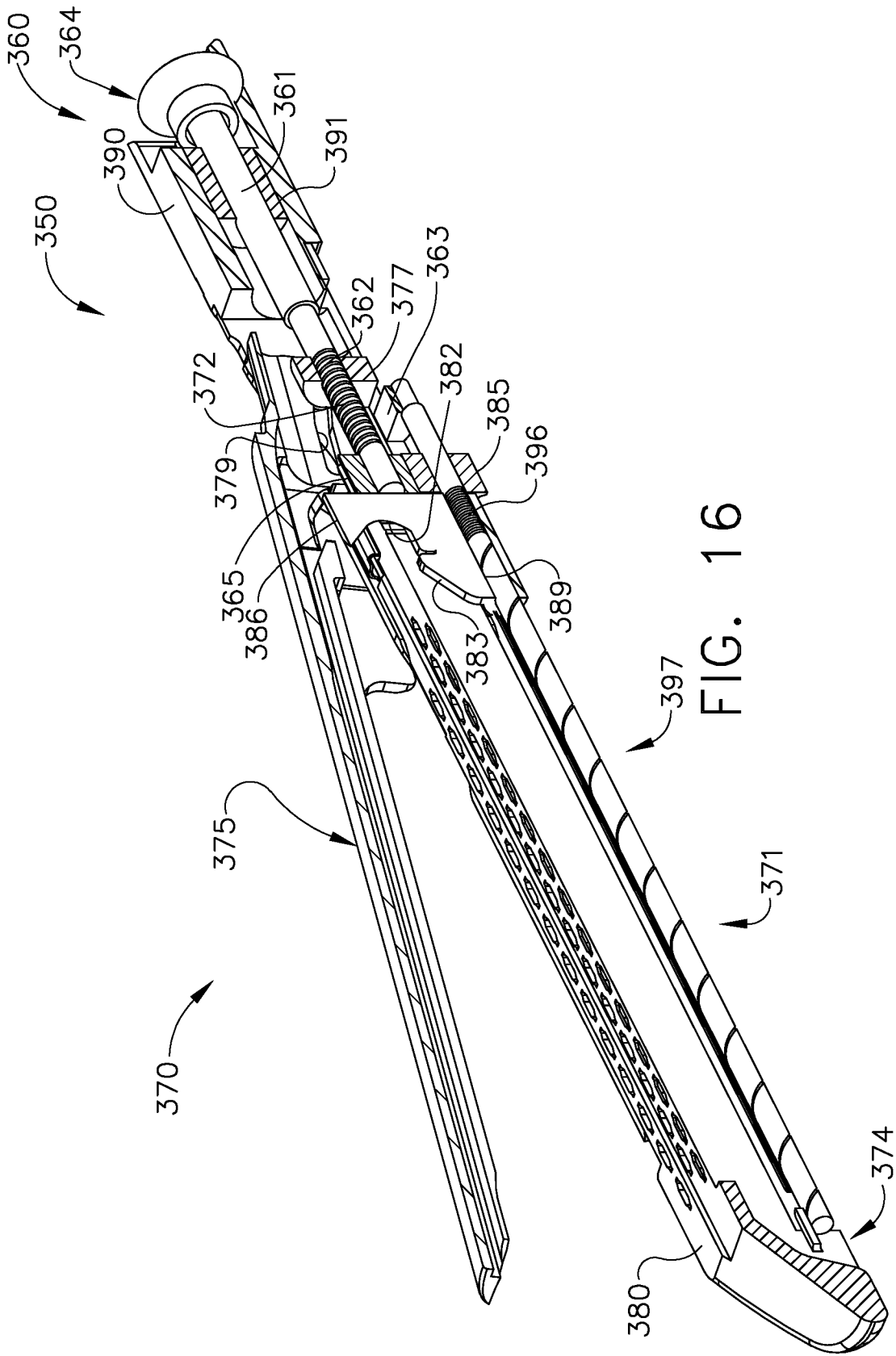


FIG. 16

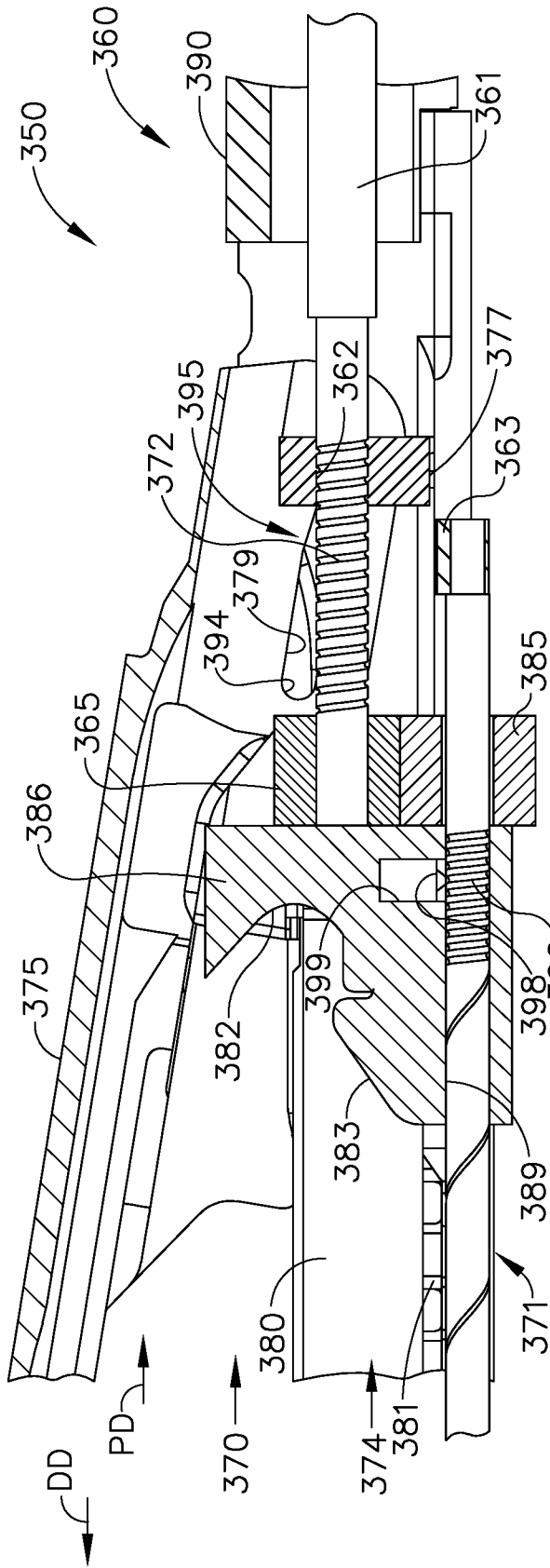


FIG. 17

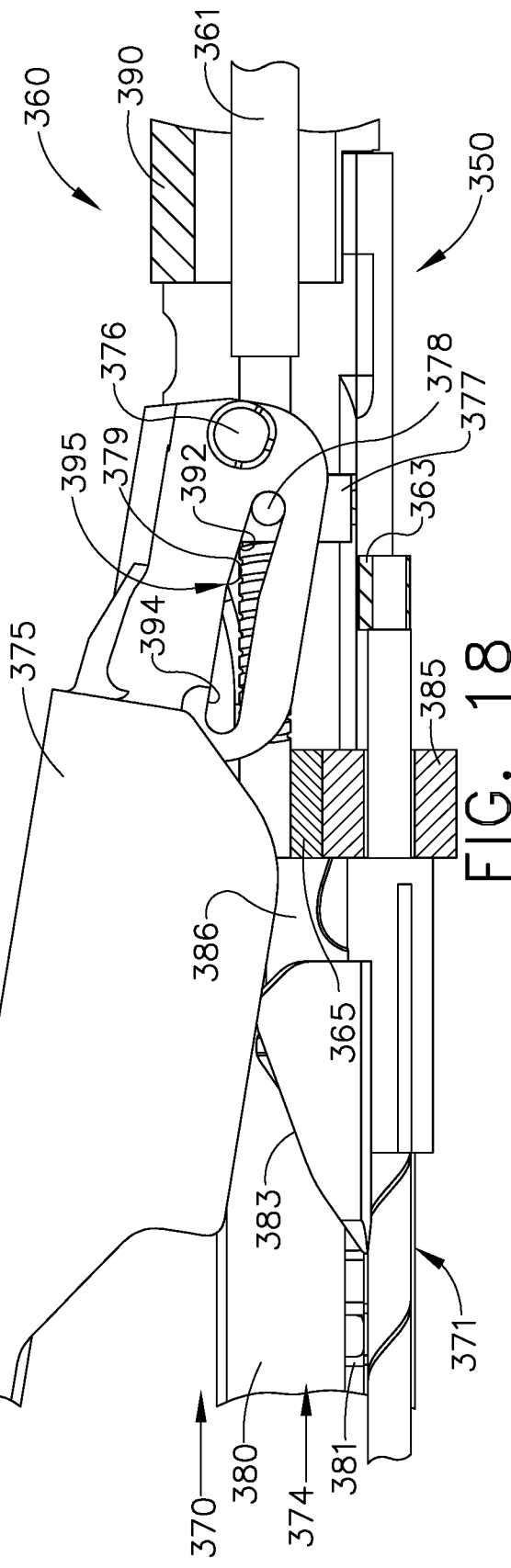


FIG. 18

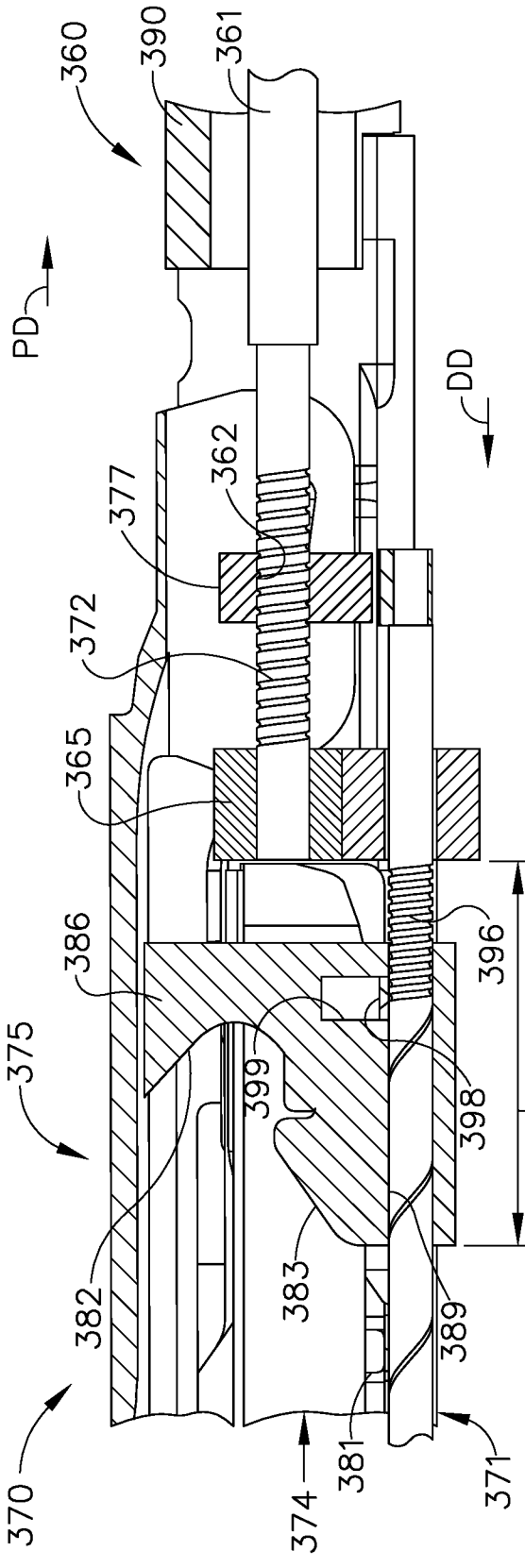


FIG. 19

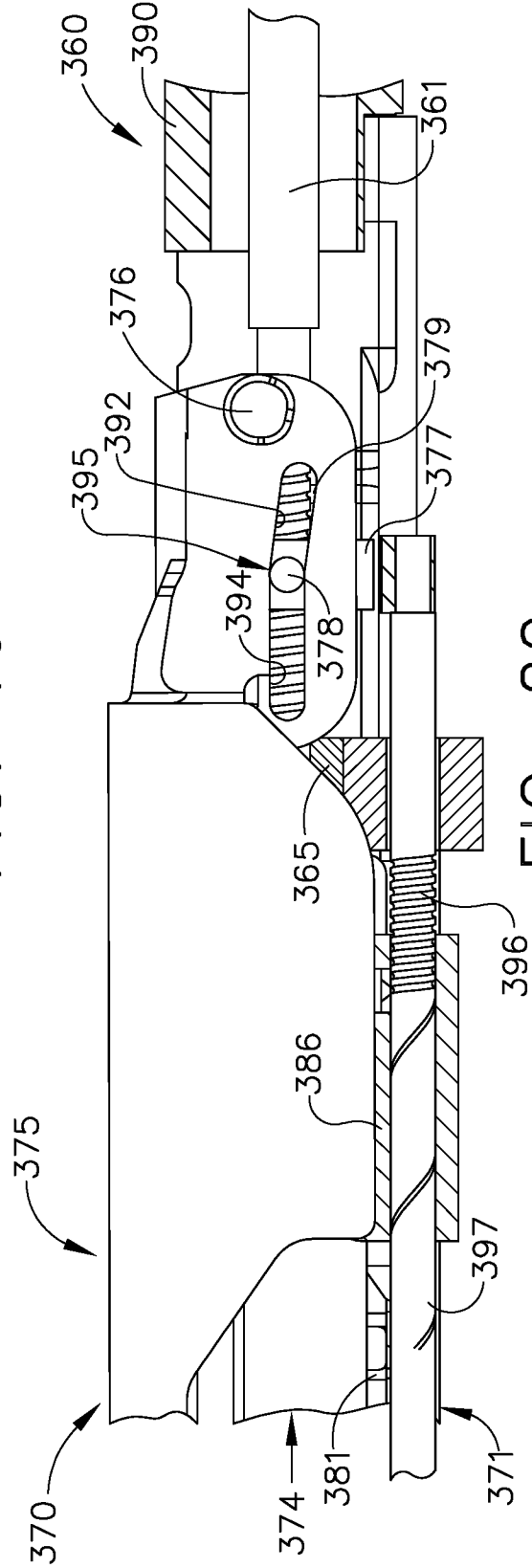


FIG. 20

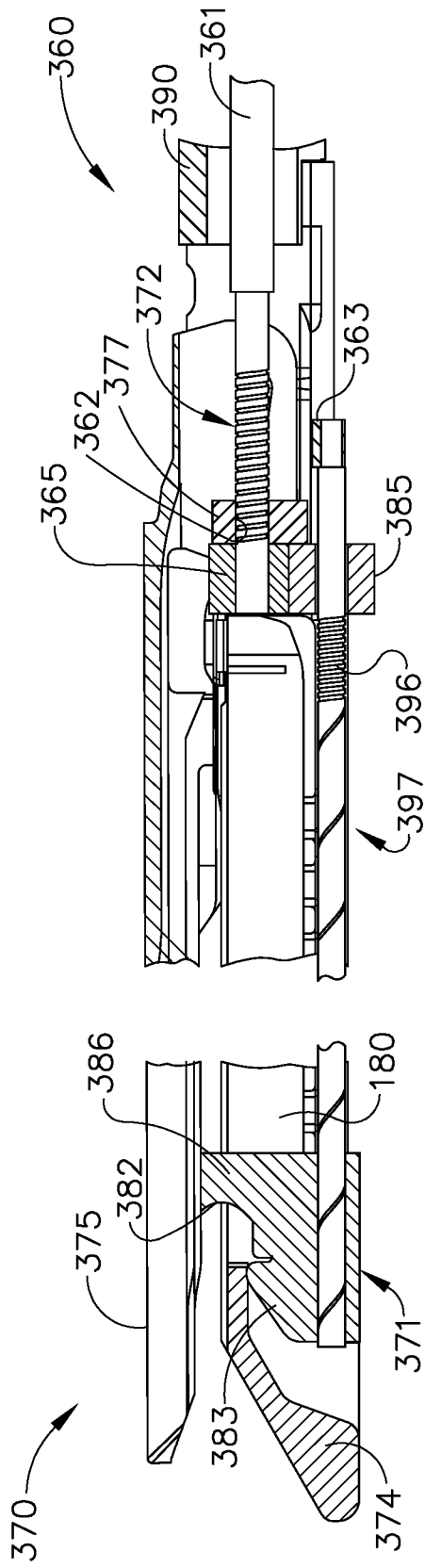


FIG. 21

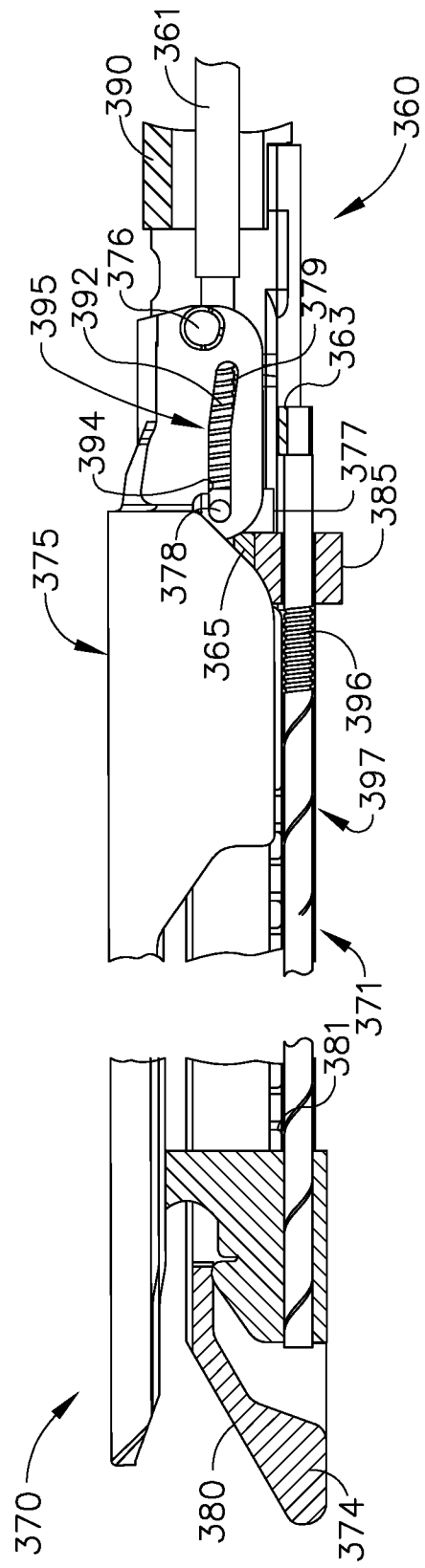


FIG. 22

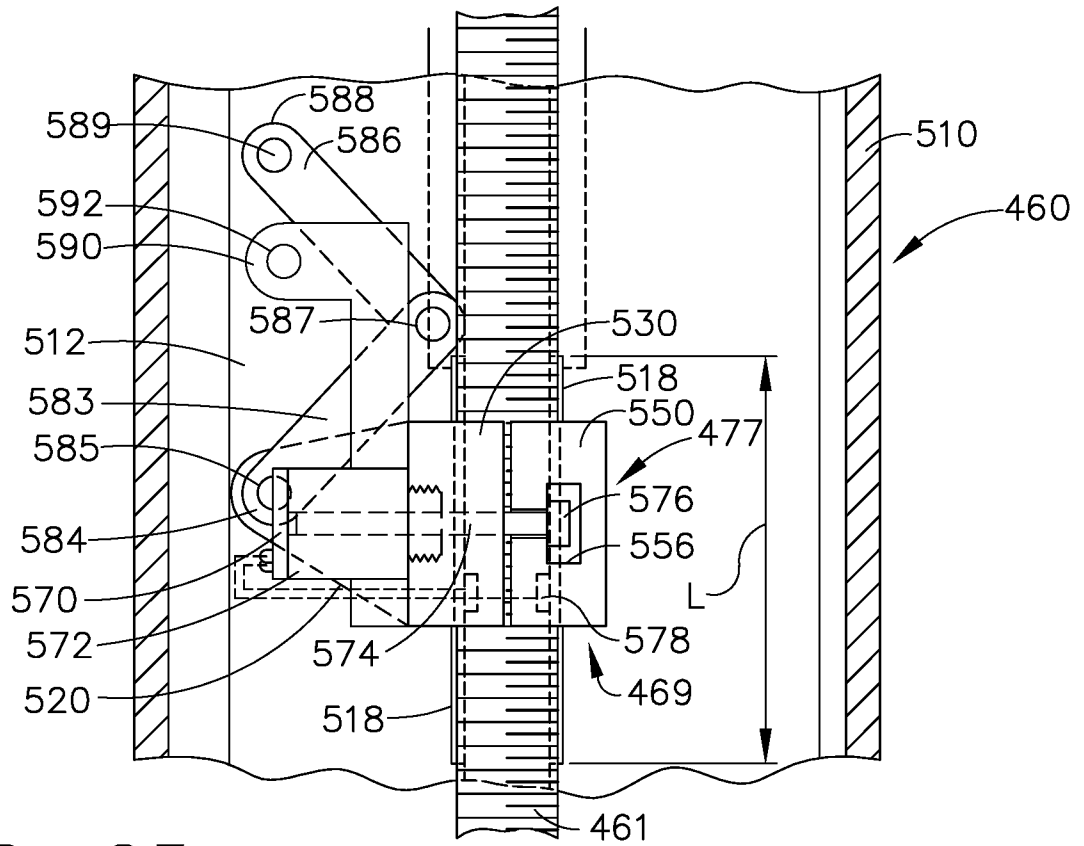


FIG. 23

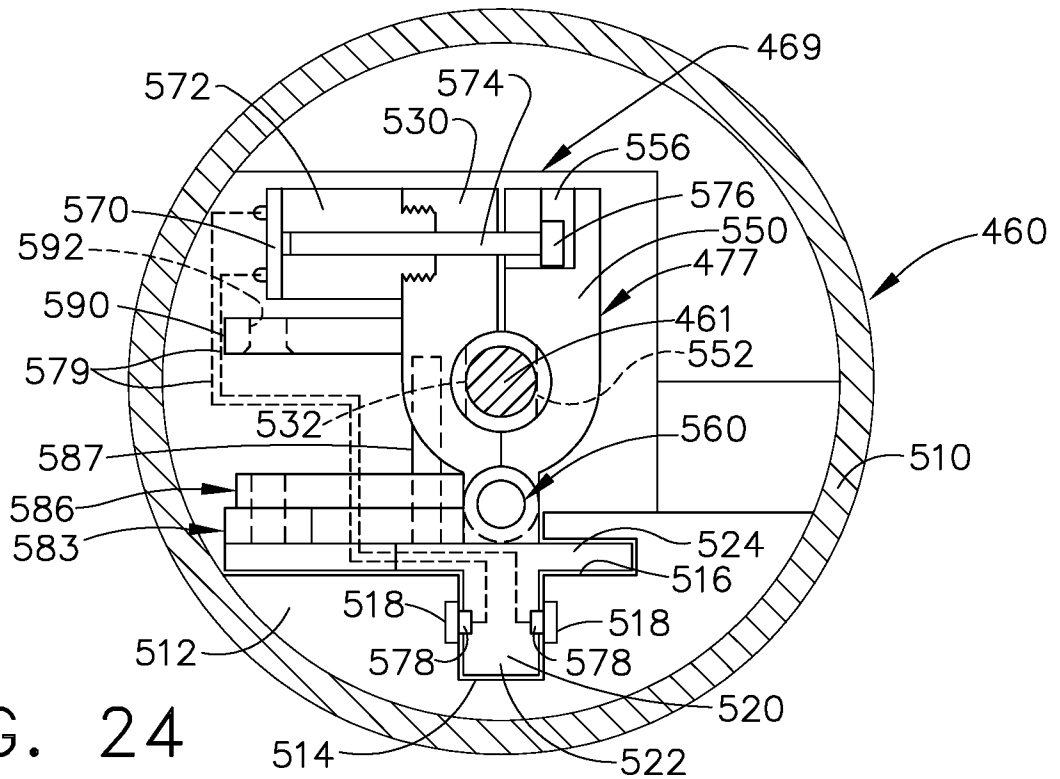


FIG. 24

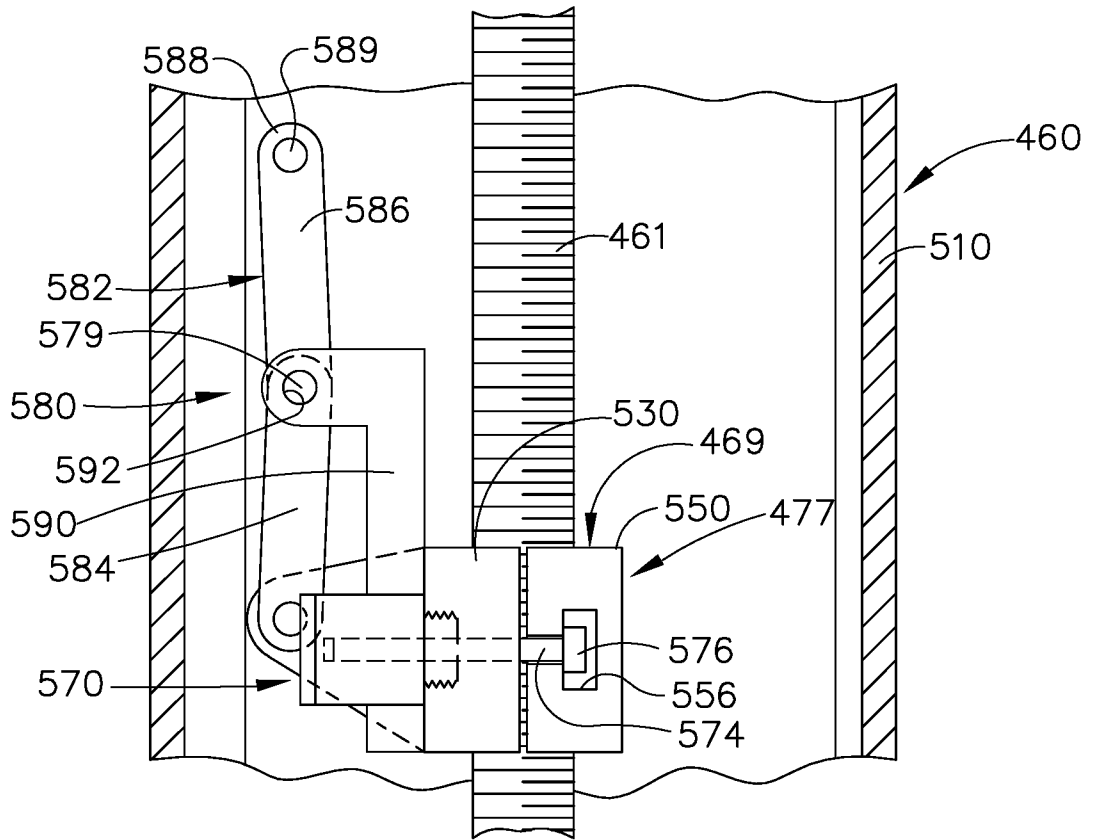


FIG. 25

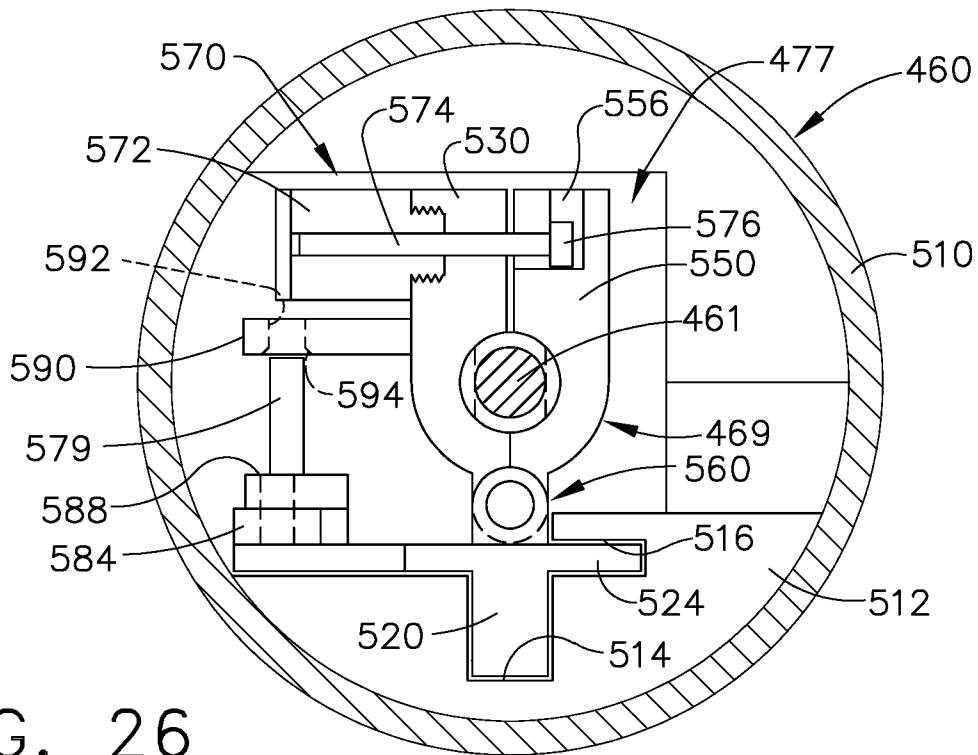


FIG. 26

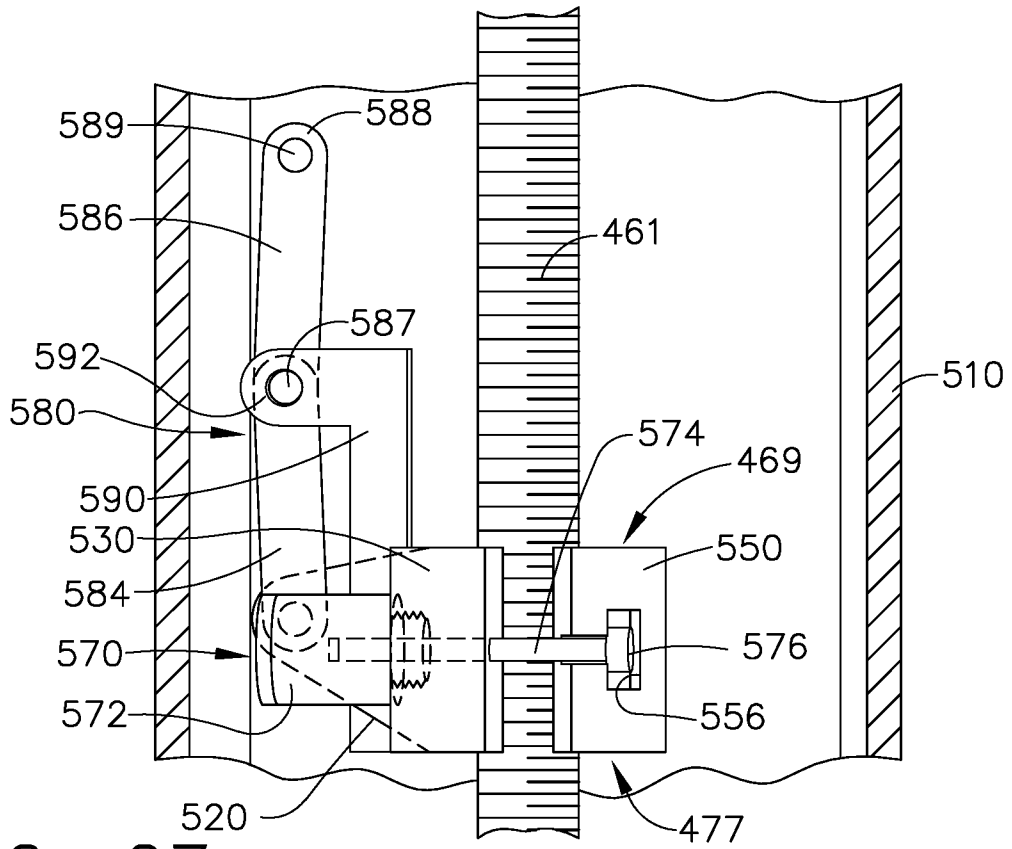


FIG. 27

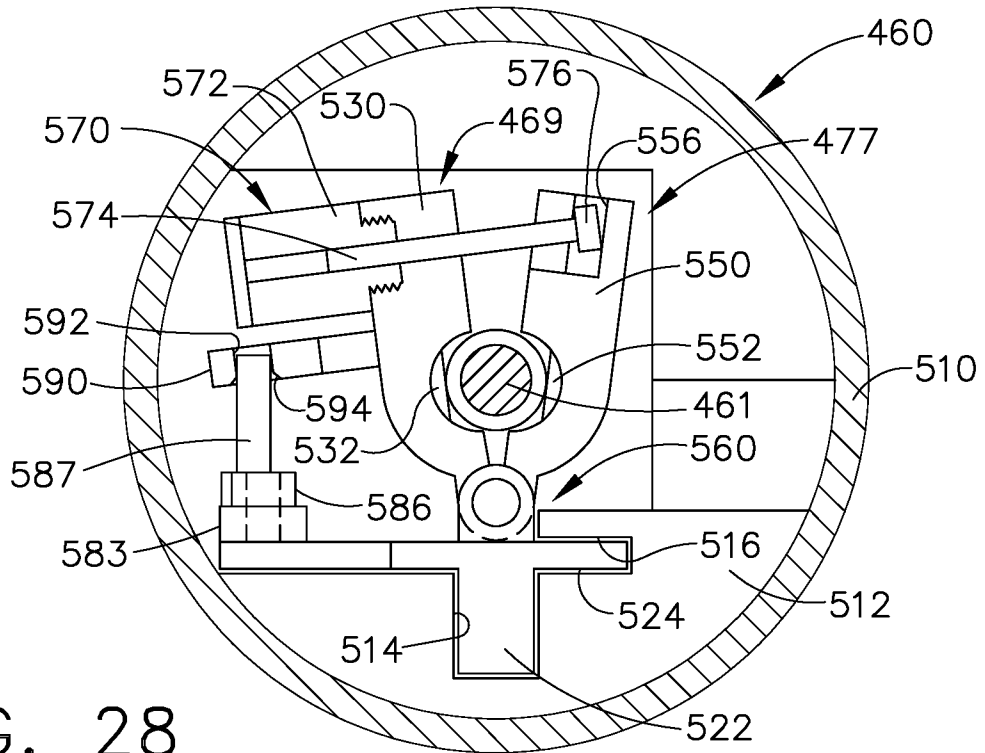


FIG. 28

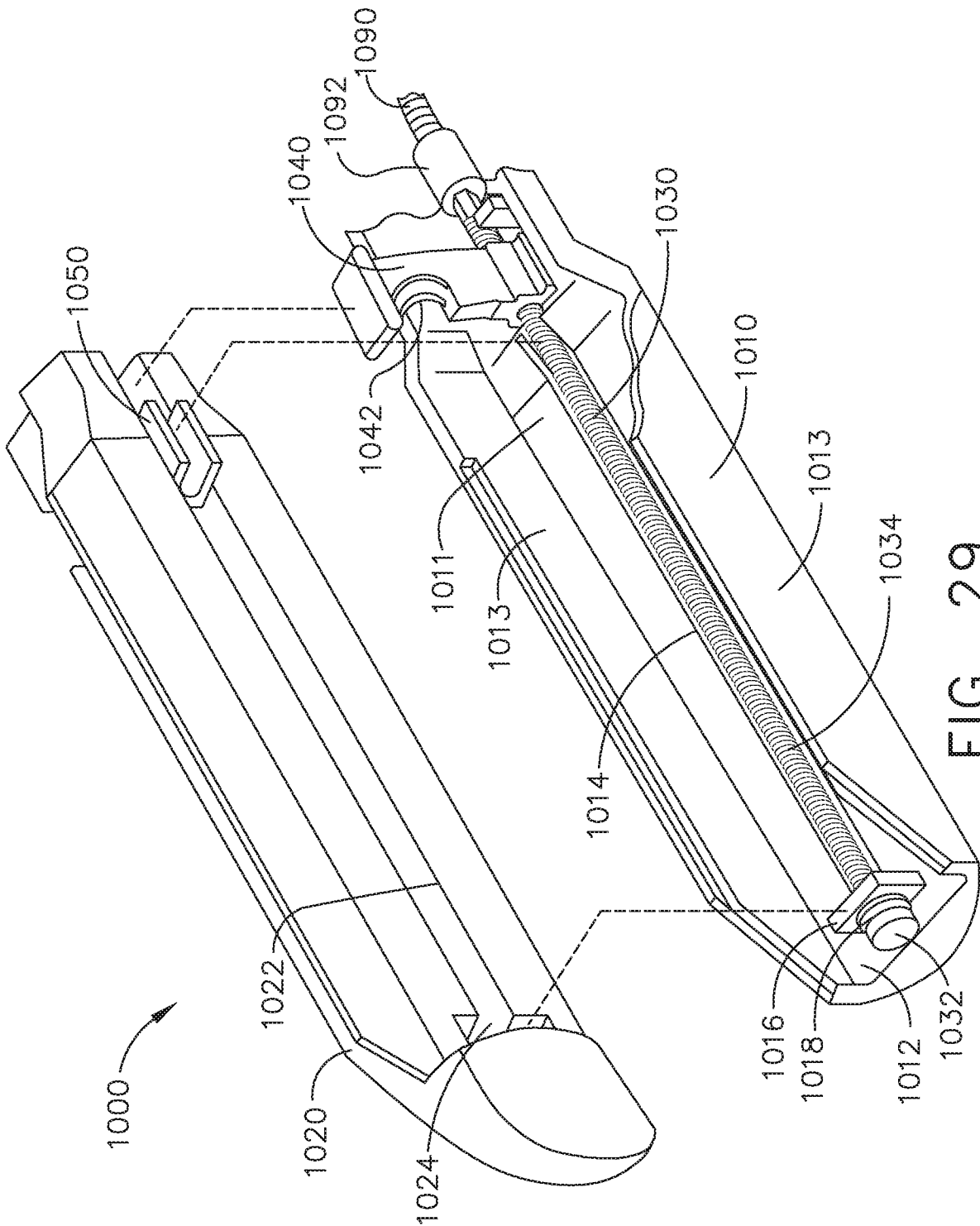


FIG. 29

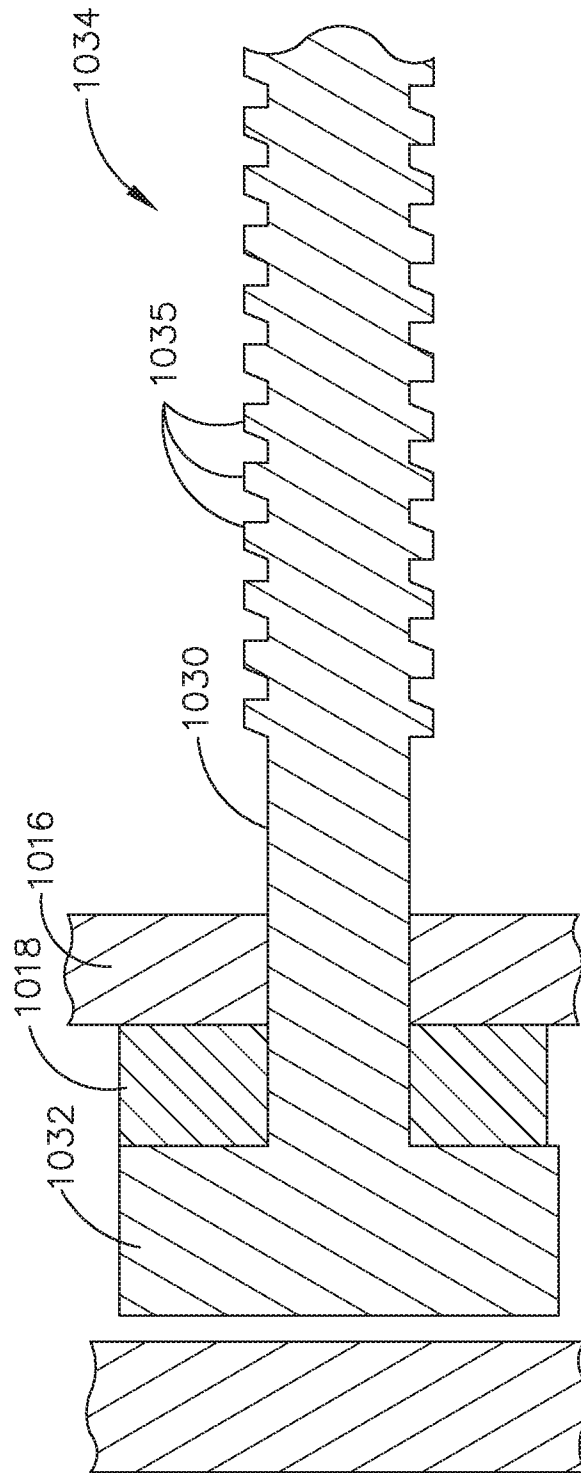


FIG. 30

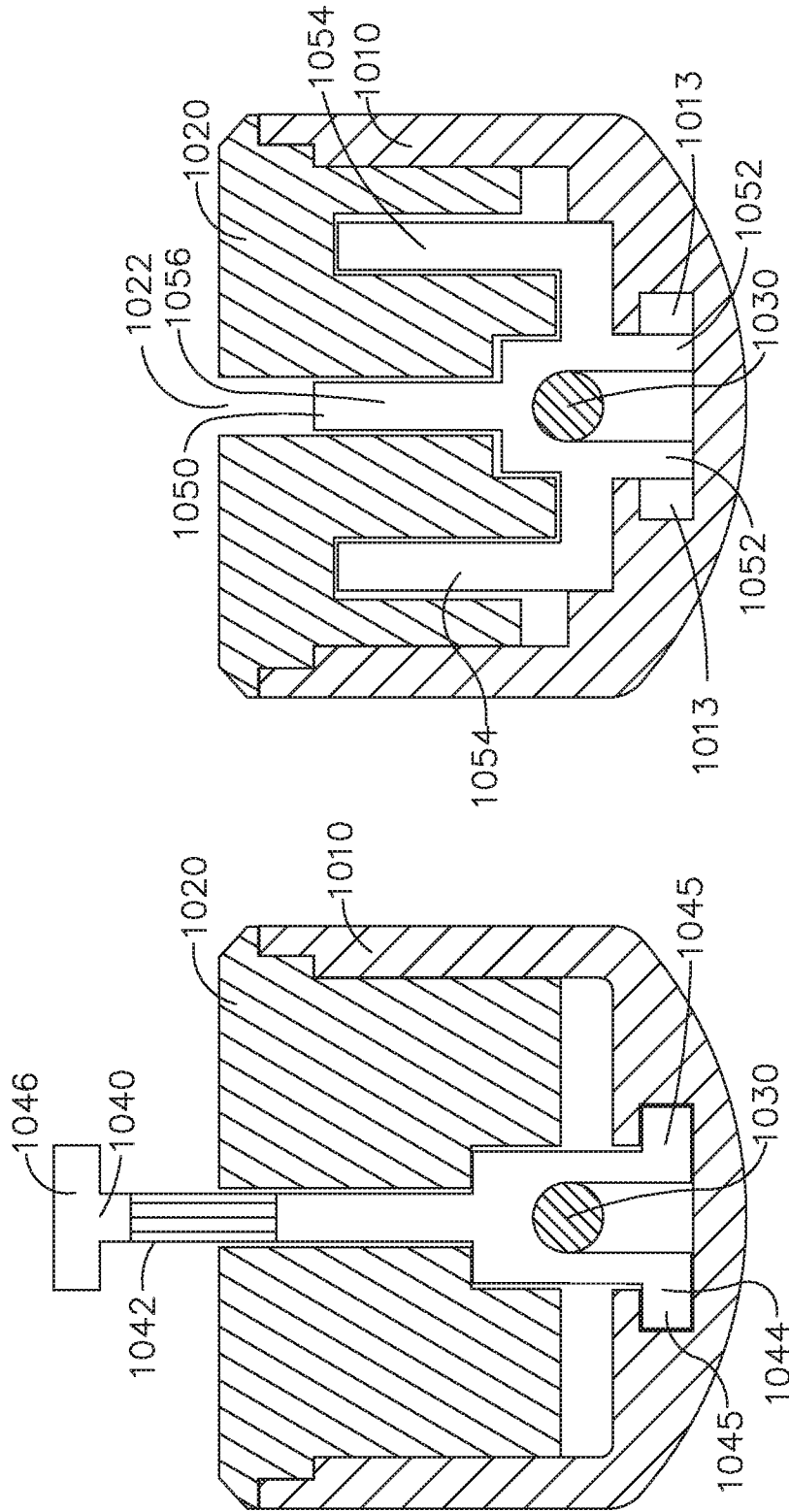


FIG. 32

FIG. 31

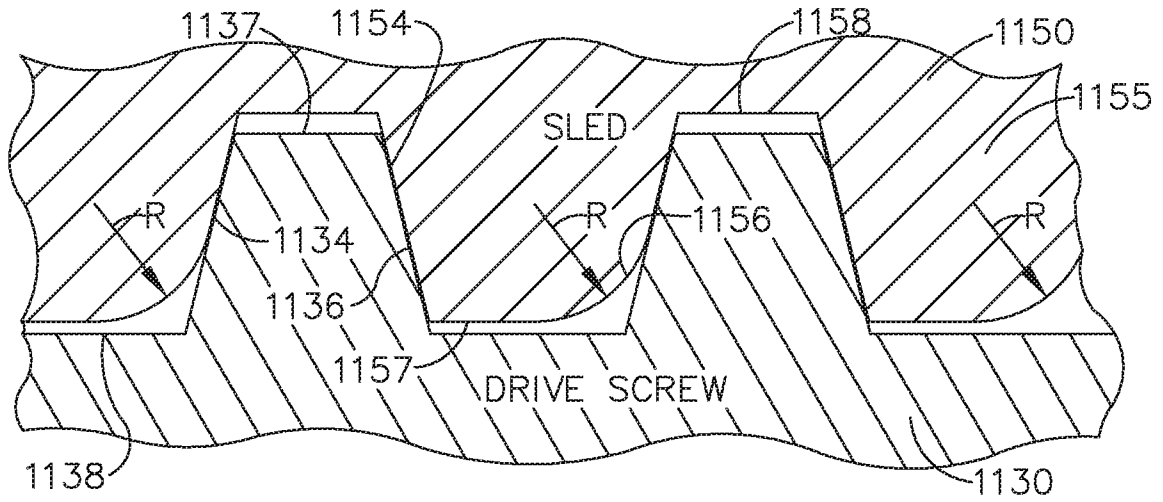


FIG. 33

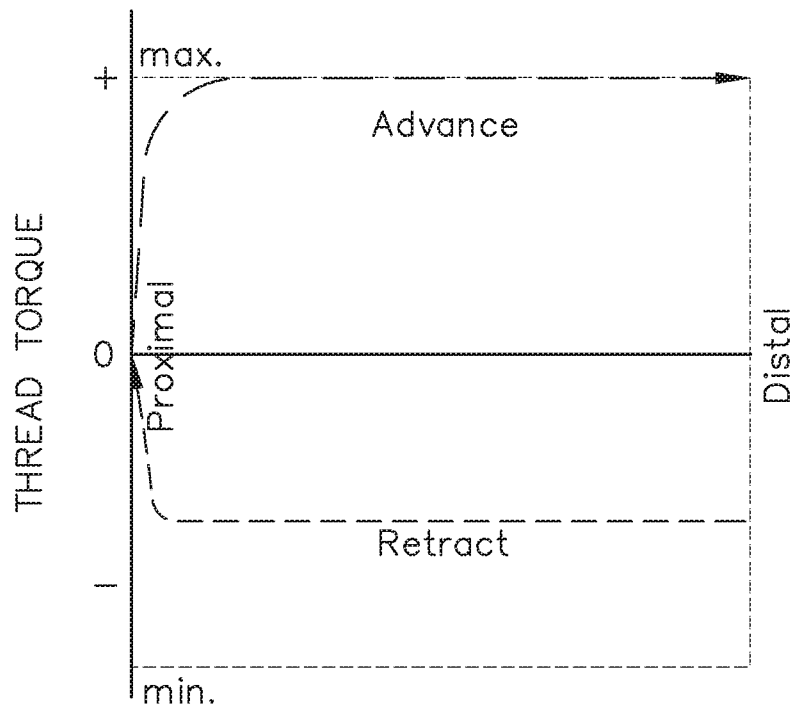


FIG. 34

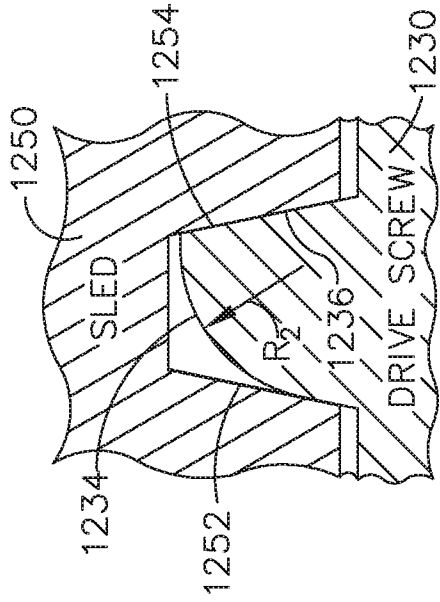


FIG. 35B

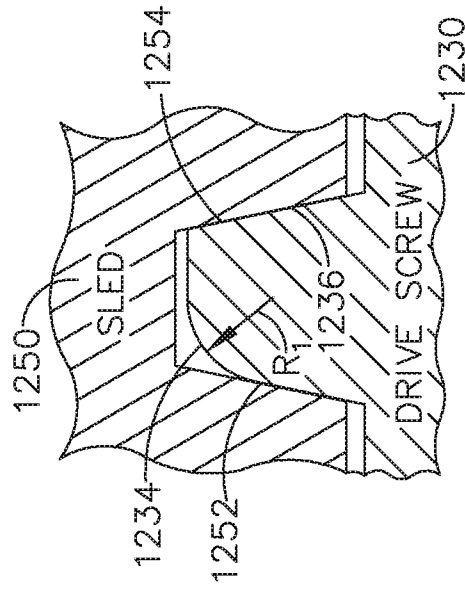


FIG. 35A

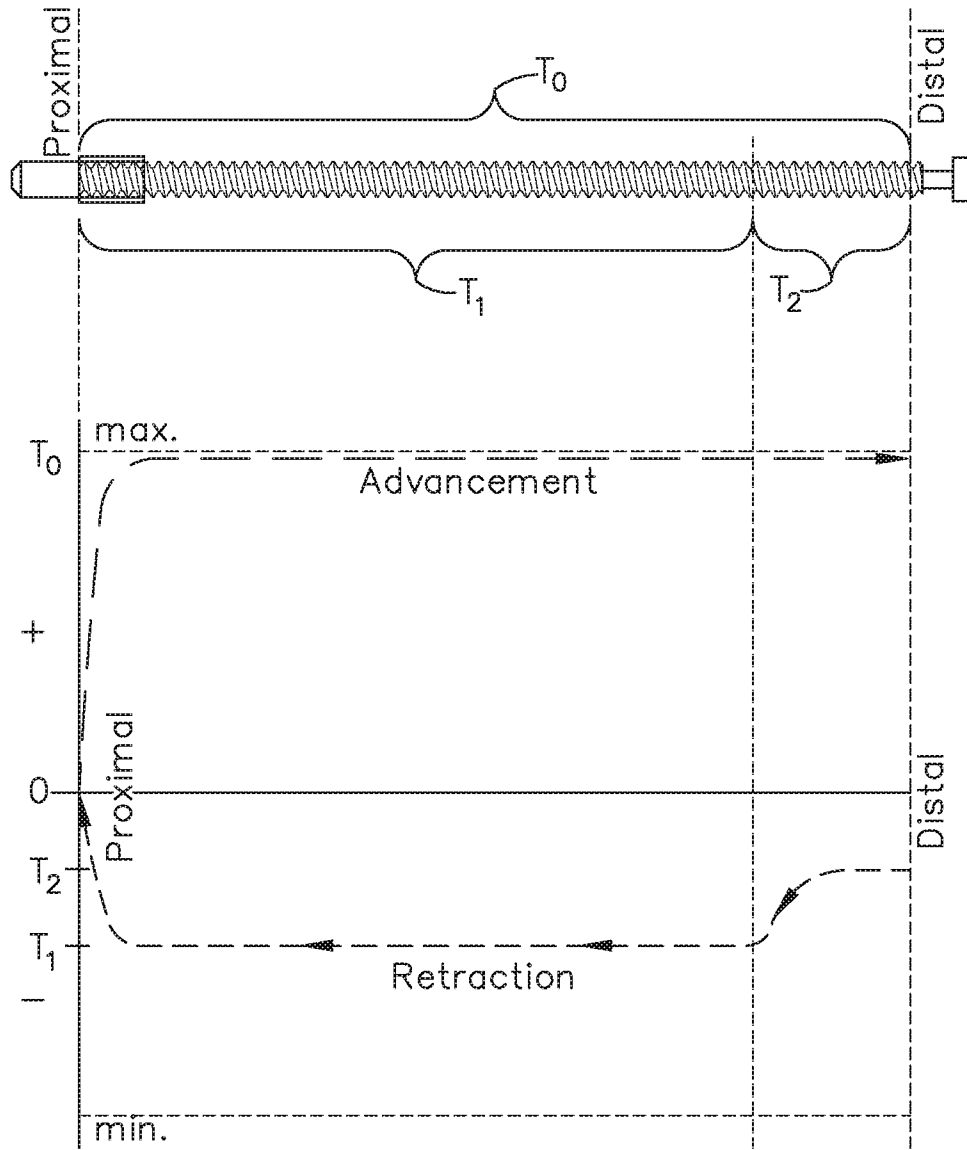


FIG. 36

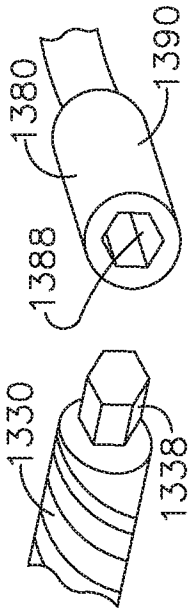


FIG. 39

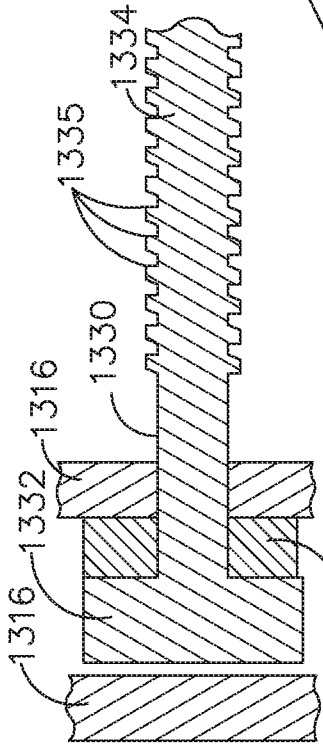


FIG. 38

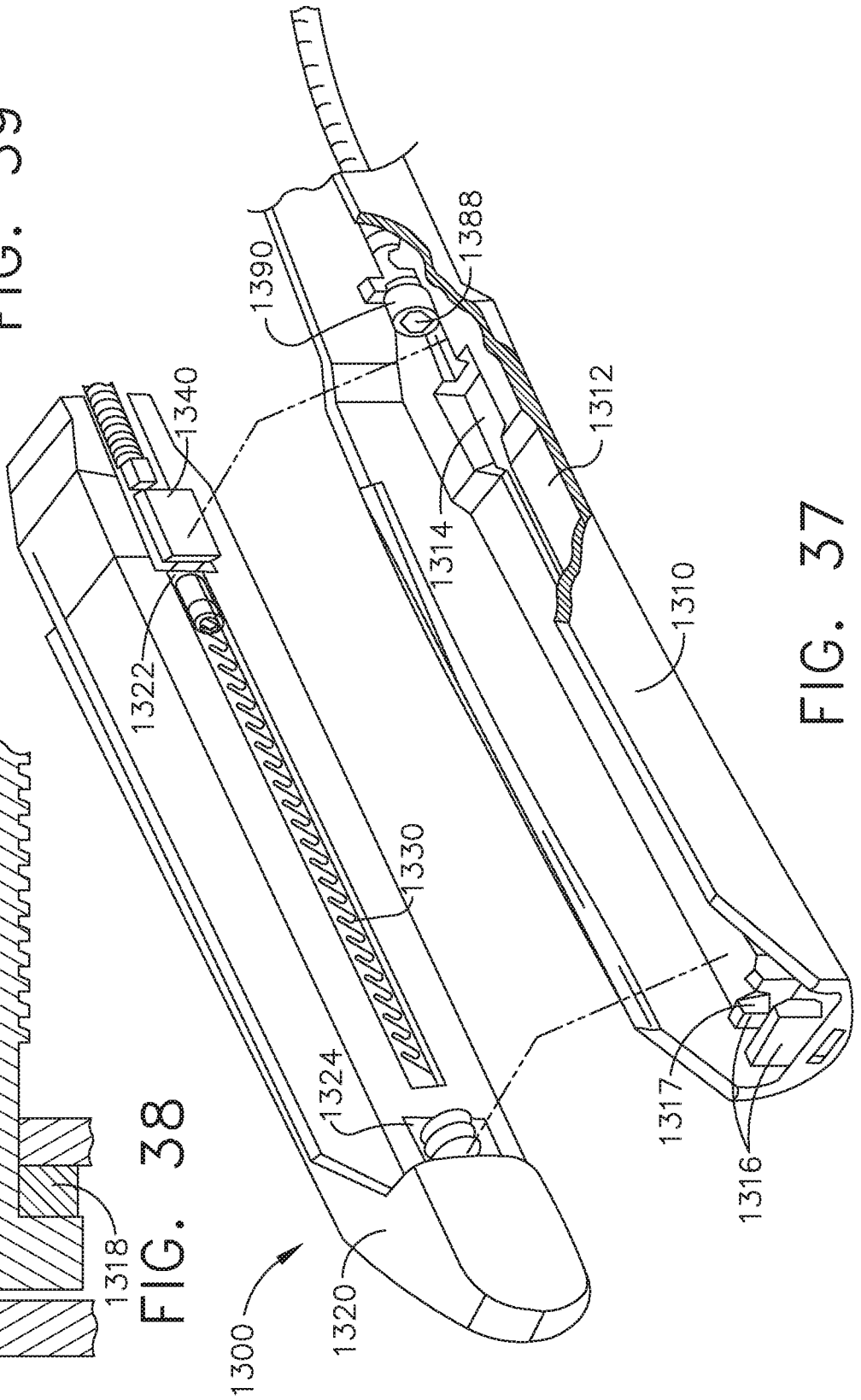


FIG. 37

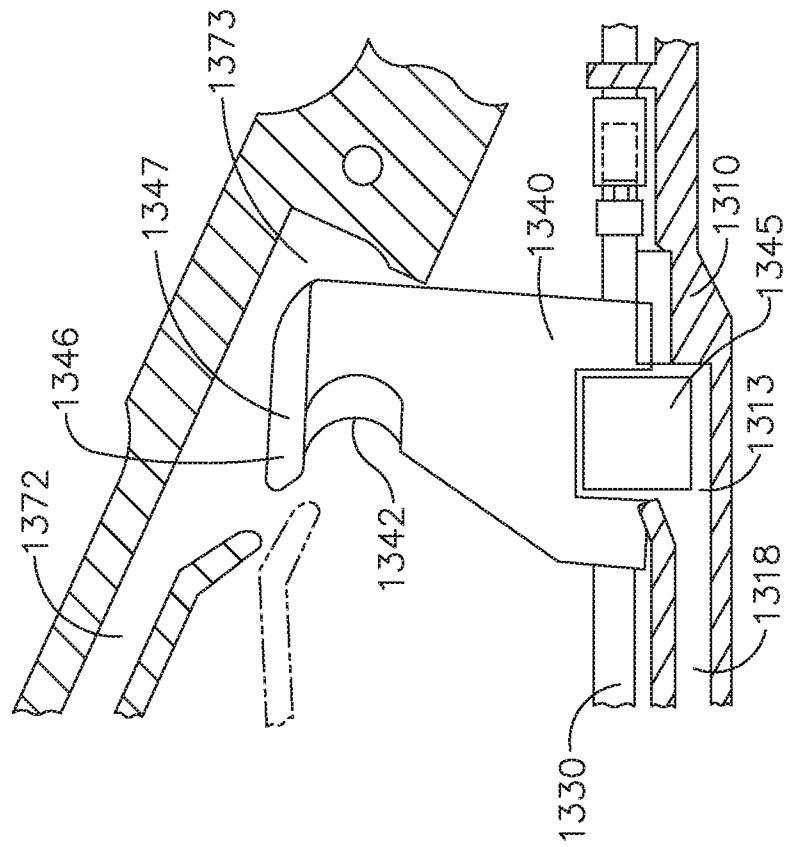


FIG. 40

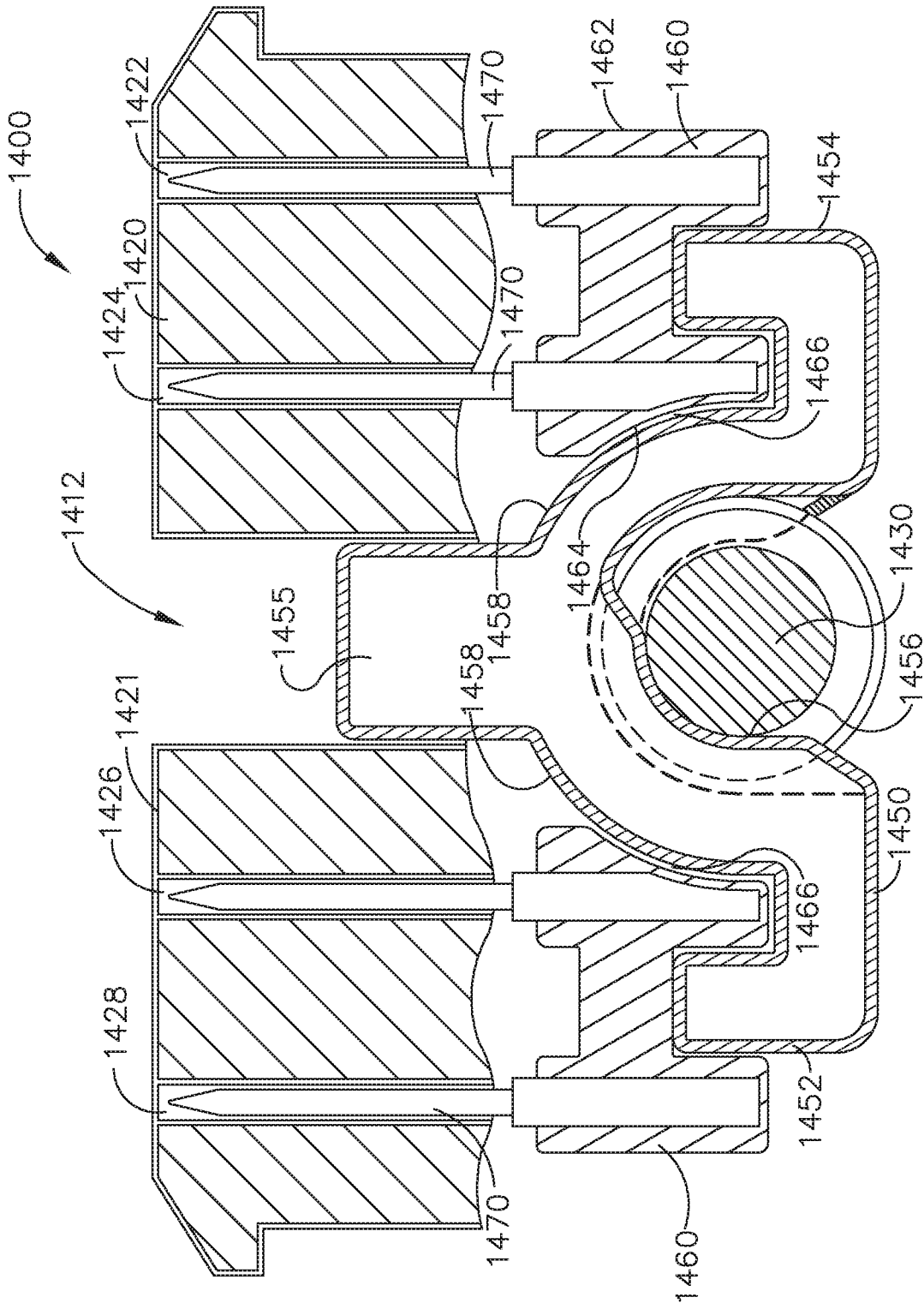


FIG. 41

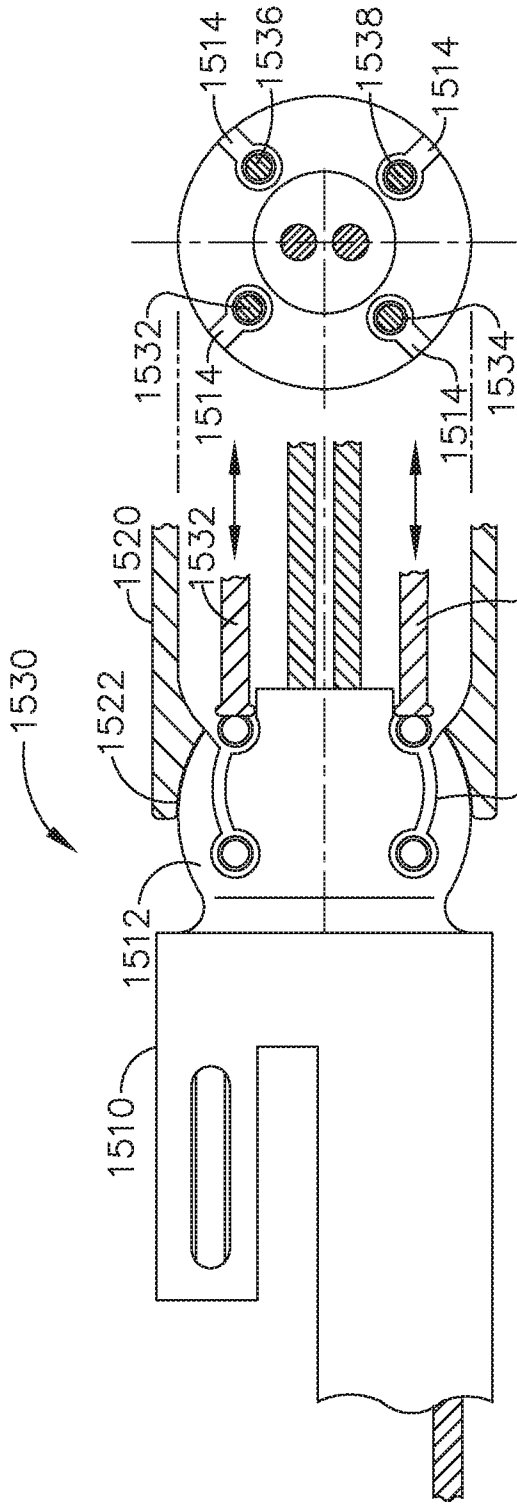


FIG. 42A

FIG. 42B

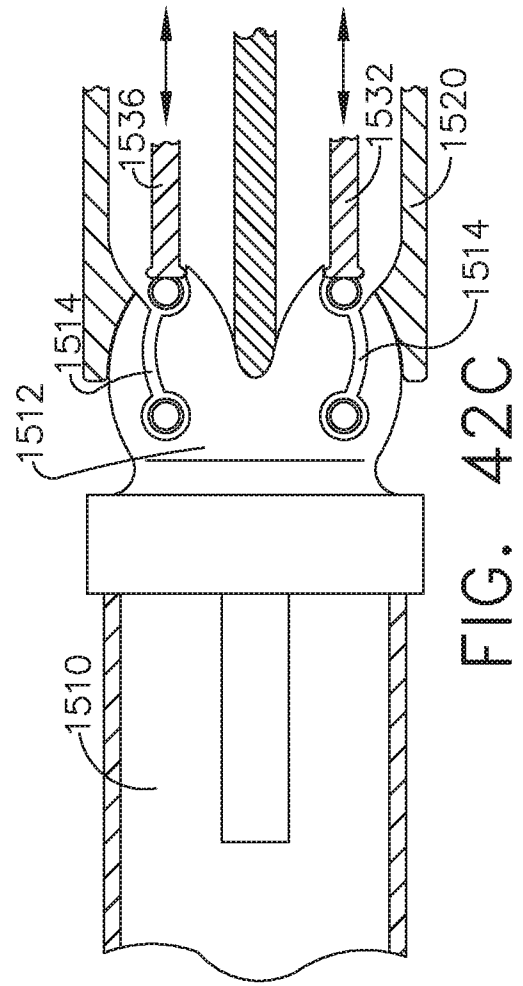


FIG. 42C

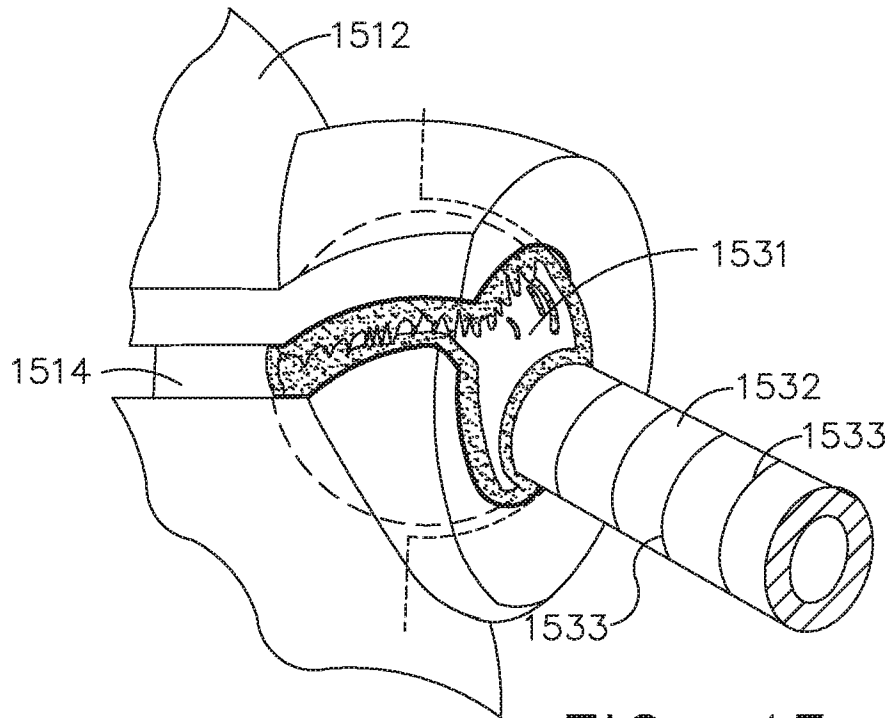


FIG. 43

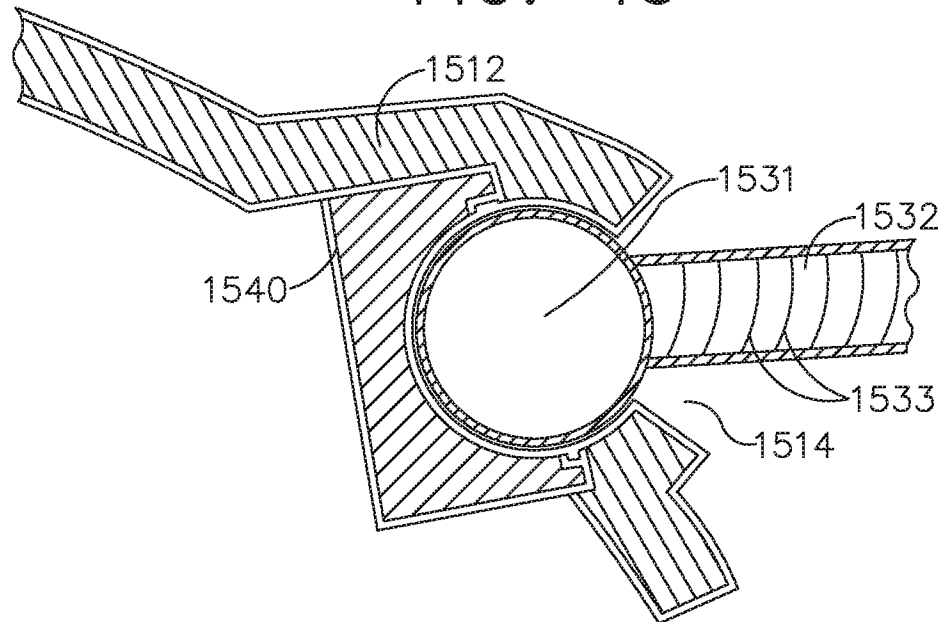


FIG. 44

INTERNATIONAL SEARCH REPORT

International application No

PCT/IB2020/051844

A. CLASSIFICATION OF SUBJECT MATTER
 INV. A61B17/072
 ADD.

According to International Patent Classification (IPC) or to both national classification and IPC

B. FIELDS SEARCHED

Minimum documentation searched (classification system followed by classification symbols)
 A61B

Documentation searched other than minimum documentation to the extent that such documents are included in the fields searched

Electronic data base consulted during the international search (name of data base and, where practicable, search terms used)

EPO-Internal, WPI Data

C. DOCUMENTS CONSIDERED TO BE RELEVANT

Category*	Citation of document, with indication, where appropriate, of the relevant passages	Relevant to claim No.
X	US 2014/001231 A1 (SHELTON IV FREDERICK E [US] ET AL) 2 January 2014 (2014-01-02) paragraph [0308] - paragraph [0313]; figures 60, 88, 89, 98, 106A-109B -----	1-8, 12-18, 20,21
X	EP 3 235 444 A2 (ETHICON LLC [PR]) 25 October 2017 (2017-10-25) paragraph [0016] - paragraph [0024]; figures 2-8 -----	1-3,6,7, 12-17, 20,21
X	WO 2013/063525 A1 (BURBANK WILLIAM [US]) 2 May 2013 (2013-05-02) paragraph [0073] - paragraph [0081]; figures 7-16D ----- -/--	1,5-8, 12,13,20

Further documents are listed in the continuation of Box C.

See patent family annex.

* Special categories of cited documents :

"A" document defining the general state of the art which is not considered to be of particular relevance

"E" earlier application or patent but published on or after the international filing date

"L" document which may throw doubts on priority claim(s) or which is cited to establish the publication date of another citation or other special reason (as specified)

"O" document referring to an oral disclosure, use, exhibition or other means

"P" document published prior to the international filing date but later than the priority date claimed

"T" later document published after the international filing date or priority date and not in conflict with the application but cited to understand the principle or theory underlying the invention

"X" document of particular relevance; the claimed invention cannot be considered novel or cannot be considered to involve an inventive step when the document is taken alone

"Y" document of particular relevance; the claimed invention cannot be considered to involve an inventive step when the document is combined with one or more other such documents, such combination being obvious to a person skilled in the art

"&" document member of the same patent family

Date of the actual completion of the international search

19 May 2020

Date of mailing of the international search report

03/06/2020

Name and mailing address of the ISA/

European Patent Office, P.B. 5818 Patentlaan 2
 NL - 2280 HV Rijswijk
 Tel. (+31-70) 340-2040,
 Fax: (+31-70) 340-3016

Authorized officer

Enborg, Andreas

INTERNATIONAL SEARCH REPORT

International application No

PCT/IB2020/051844

C(Continuation). DOCUMENTS CONSIDERED TO BE RELEVANT		
Category*	Citation of document, with indication, where appropriate, of the relevant passages	Relevant to claim No.
X	EP 2 942 019 A1 (COVIDIEN LP [US]) 11 November 2015 (2015-11-11) paragraph [0023] - paragraph [0035]; figures 2-11 -----	1-4, 6-8, 12-18, 20, 21
X, P	US 2019/298350 A1 (SHELTON IV FREDERICK E [US] ET AL) 3 October 2019 (2019-10-03) paragraph [0725] - paragraph [0728]; figures 71-80 -----	1-8, 12-18, 20, 21

INTERNATIONAL SEARCH REPORT

Information on patent family members

International application No

PCT/IB2020/051844

Patent document cited in search report	Publication date	Patent family member(s)	Publication date	
US 2014001231	A1	02-01-2014	BR 112014032746 A2	27-06-2017
			CN 104582593 A	29-04-2015
			EP 2866682 A2	06-05-2015
			EP 3213694 A1	06-09-2017
			JP 6457020 B2	23-01-2019
			JP 2015521906 A	03-08-2015
			JP 2017192769 A	26-10-2017
			PL 2866682 T3	31-10-2017
			RU 2015102589 A	20-08-2016
			US 2014001231 A1	02-01-2014
			US 2017000485 A1	05-01-2017
			US 2017086831 A1	30-03-2017
			US 2017135695 A1	18-05-2017
			US 2017215881 A1	03-08-2017
			US 2017290585 A1	12-10-2017
			US 2018070942 A1	15-03-2018
			US 2018116662 A1	03-05-2018
			US 2019105044 A1	11-04-2019
			US 2020054332 A1	20-02-2020
			US 2020054333 A1	20-02-2020
			US 2020054334 A1	20-02-2020
			WO 2014004290 A2	03-01-2014

EP 3235444	A2	25-10-2017	EP 3235444 A2	25-10-2017
			EP 3235445 A1	25-10-2017
			EP 3235451 A1	25-10-2017
			US 2017296170 A1	19-10-2017
			US 2017296171 A1	19-10-2017
			US 2017296172 A1	19-10-2017
			US 2017296190 A1	19-10-2017
			US 2017296191 A1	19-10-2017
			US 2019290281 A1	26-09-2019
			US 2020015819 A1	16-01-2020
			US 2020138435 A1	07-05-2020
			WO 2017184503 A2	26-10-2017
			WO 2017184509 A1	26-10-2017
			WO 2017184510 A1	26-10-2017

WO 2013063525	A1	02-05-2013	CN 104039251 A	10-09-2014
			CN 107348981 A	17-11-2017
			EP 2770921 A1	03-09-2014
			EP 3513746 A1	24-07-2019
			JP 6210994 B2	11-10-2017
			JP 2014534863 A	25-12-2014
			KR 20140079785 A	27-06-2014
			KR 20190105246 A	16-09-2019
			US 2013105545 A1	02-05-2013
			US 2018168572 A1	21-06-2018
			WO 2013063525 A1	02-05-2013

EP 2942019	A1	11-11-2015	AU 2015200919 A1	26-11-2015
			CA 2883152 A1	06-11-2015
			EP 2942019 A1	11-11-2015
			JP 6563664 B2	21-08-2019
			JP 2015211826 A	26-11-2015
			JP 2019122832 A	25-07-2019
			US 2015320423 A1	12-11-2015
			US 2018092641 A1	05-04-2018

INTERNATIONAL SEARCH REPORT

Information on patent family members

International application No

PCT/IB2020/051844

Patent document cited in search report	Publication date	Patent family member(s)	Publication date
US 2019298350 A1	03-10-2019	US 2019298350 A1 WO 2019186435 A2	03-10-2019 03-10-2019