

(19) World Intellectual Property Organization
International Bureau



(43) International Publication Date
30 March 2006 (30.03.2006)

PCT

(10) International Publication Number
WO 2006/032951 A3

- (51) International Patent Classification:
A61B 18/14 (2006.01) A61B 18/02 (2006.01)
- (21) International Application Number:
PCT/IB2004/004470
- (22) International Filing Date: 10 June 2004 (10.06.2004)
- (25) Filing Language: English
- (26) Publication Language: English
- (30) Priority Data:
10/458,745 10 June 2003 (10.06.2003) US
- (71) Applicant: CRYOCATH TECHNOLOGIES, INC.
[CA/CA]; 16771 Chemin Ste-Marie, Kirkland, Québec
H9H 5H3 (CA).

AT, AU, AZ, BA, BB, BG, BR, BW, BY, BZ, CA, CH, CN, CO, CR, CU, CZ, DE, DK, DM, DZ, EC, EE, EG, ES, FI, GB, GD, GE, GH, GM, HR, HU, ID, IL, IN, IS, JP, KE, KG, KP, KR, KZ, LC, LK, LR, LS, LT, LU, LV, MA, MD, MG, MK, MN, MW, MX, MZ, NA, NI, NO, NZ, OM, PG, PH, PL, PT, RO, RU, SC, SD, SE, SG, SK, SL, SY, TJ, TM, TN, TR, TT, TZ, UA, UG, US, UZ, VC, VN, YU, ZA, ZM, ZW.

- (72) Inventors: CARROLL, Sean; 6042 Stephens Place, Rancho Cucamonga, CA 91739 (US). NAHON, Daniel; 133 Blenheim Drive, Ottawa, Ontario K1L 5B7 (CA). WITTENBERGER, Dan; 4806 Lucerne, Pierrefonds, Québec H8Y 2E2 (CA). PETRE, Cristian; 3335 rue Come, Fabreville, Laval, Quebec, H7P 1G8 (CA). SKANES, Allan; 90 Carriage Hill Drive, London, Ontario N5X 3W9 (CA). MENKIS, Alan, H.; 82 Tetherwood Boulevard, London, Ontario N5X 3W3 (CA). STE-MARIE, Real; 51 Roger-Maillet, Notre-Dame de Ile-Perrot, Quebec J7V 7P2 (CA).

(84) Designated States (unless otherwise indicated, for every kind of regional protection available): ARIPO (BW, GH, GM, KE, LS, MW, MZ, NA, SD, SL, SZ, TZ, UG, ZM, ZW), Eurasian (AM, AZ, BY, KG, KZ, MD, RU, TJ, TM), European (AT, BE, BG, CH, CY, CZ, DE, DK, EE, ES, FI, FR, GB, GR, HU, IE, IT, LU, MC, NL, PL, PT, RO, SE, SI, SK, TR), OAPI (BF, BJ, CF, CG, CI, CM, GA, GN, GQ, GW, ML, MR, NE, SN, TD, TG).

Published:
— with international search report

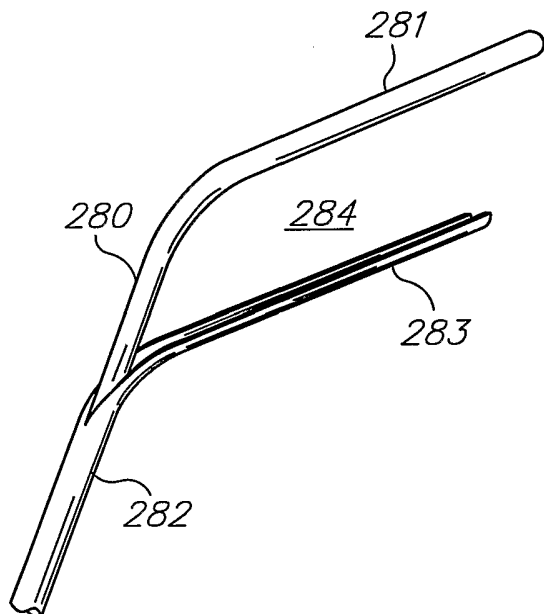
(88) Date of publication of the international search report:
10 August 2006

(15) Information about Correction:
Previous Correction:
see PCT Gazette No. 28/2006 of 13 July 2006

For two-letter codes and other abbreviations, refer to the "Guidance Notes on Codes and Abbreviations" appearing at the beginning of each regular issue of the PCT Gazette.

- (81) Designated States (unless otherwise indicated, for every kind of national protection available): AE, AG, AL, AM,

(54) Title: SURGICAL CLAMP HAVING TREATMENT ELEMENTS



(57) Abstract: A medical device (10) is provided having a means for actuating a pair of opposing jaw members (20, 22). The jaw members are movable relative to one another from a first position, wherein the jaw members are disposed in a spaced apart relation to one another, to a second position, wherein the jaw members cooperate to grasp tissue therebetween. An ablation tool (24) is connected to at least one of the jaws members, such that the jaw members are capable of conducting ablation energy through the tissue grasped therebetween.

WO 2006/032951 A3

INTERNATIONAL SEARCH REPORT

International Application No
PCT/IB2004/004470

A. CLASSIFICATION OF SUBJECT MATTER
INV. A61B18/14 A61B18/02

According to International Patent Classification (IPC) or to both national classification and IPC

B. FIELDS SEARCHED

Minimum documentation searched (classification system followed by classification symbols)
A61B

Documentation searched other than minimum documentation to the extent that such documents are included in the fields searched

Electronic data base consulted during the international search (name of data base and, where practical, search terms used)
EPO-Internal

C. DOCUMENTS CONSIDERED TO BE RELEVANT

Category °	Citation of document, with indication, where appropriate, of the relevant passages	Relevant to claim No.
X	US 6 161 543 A (COX ET AL) 19 December 2000 (2000-12-19) cited in the application	1-3, 7-26, 29-38, 40
Y	abstract; figures column 8, line 25 - column 10, line 55 column 17, line 56 - column 19, line 16 column 23, line 38 - column 25, line 14 column 25, line 65 - column 26, line 7 column 26, lines 28-38 column 27, line 50 - column 29, line 29 column 30, lines 27-31 column 33, lines 10-28 column 34, lines 20-33 ----- -/--	4-6, 27, 28, 39

Further documents are listed in the continuation of box C.

Patent family members are listed in annex.

° Special categories of cited documents :

- *A* document defining the general state of the art which is not considered to be of particular relevance
- *E* earlier document but published on or after the international filing date
- *L* document which may throw doubts on priority claim(s) or which is cited to establish the publication date of another citation or other special reason (as specified)
- *O* document referring to an oral disclosure, use, exhibition or other means
- *P* document published prior to the international filing date but later than the priority date claimed

- *T* later document published after the international filing date or priority date and not in conflict with the application but cited to understand the principle or theory underlying the invention
- *X* document of particular relevance; the claimed invention cannot be considered novel or cannot be considered to involve an inventive step when the document is taken alone
- *Y* document of particular relevance; the claimed invention cannot be considered to involve an inventive step when the document is combined with one or more other such documents, such combination being obvious to a person skilled in the art.
- * & * document member of the same patent family

Date of the actual completion of the international search

4 May 2006

Date of mailing of the international search report

17/05/2006

Name and mailing address of the ISA

European Patent Office, P.B. 5818 Patentlaan 2
NL - 2280 HV Rijswijk
Tel. (+31-70) 340-2040, Tx. 31 651 epo nl,
Fax: (+31-70) 340-3016

Authorized officer

Lager, J

INTERNATIONAL SEARCH REPORT

International Application No
PCT/IB2004/004470

C.(Continuation) DOCUMENTS CONSIDERED TO BE RELEVANT		
Category °	Citation of document, with indication, where appropriate, of the relevant passages	Relevant to claim No.
Y A	US 5 733 280 A (AVITALL ET AL) 31 March 1998 (1998-03-31) cited in the application abstract; figures column 5, lines 1-17 column 7, line 24 - column 8, line 47 column 9, lines 47-51 -----	4-6, 27, 28, 39 1-3, 7-26, 29-38, 40
Y A	US 2002/091384 A1 (HOOVEN MICHAEL D ET AL) 11 July 2002 (2002-07-11) cited in the application abstract; figures paragraphs [0022], [0062], [0077], [0080] -----	4, 5, 27, 28, 39 1-3, 6-26, 29-38, 40
A	US 2002/165448 A1 (BEN-HAIM SHLOMO ET AL) 7 November 2002 (2002-11-07) abstract; figures -----	

INTERNATIONAL SEARCH REPORT

Information on patent family members

International Application No PCT/IB2004/004470
--

Patent document cited in search report	Publication date	Patent family member(s)	Publication date
US 6161543	A	19-12-2000	NONE
US 5733280	A	31-03-1998	NONE
US 2002091384	A1	11-07-2002	US 2003125729 A1 03-07-2003
US 2002165448	A1	07-11-2002	US 2002065455 A1 30-05-2002