



US00D720072S

(12) **United States Design Patent**
Cheney et al.

(10) **Patent No.:** **US D720,072 S**

(45) **Date of Patent:** **** Dec. 23, 2014**

(54) **ORTHOPEDIC IMPLANT**

(71) Applicants: **Daniel F. Cheney**, San Antonio, TX
(US); **Eric A. Marciano**, San Antonio,
TX (US)

(72) Inventors: **Daniel F. Cheney**, San Antonio, TX
(US); **Eric A. Marciano**, San Antonio,
TX (US)

(73) Assignee: **BioMedical Enterprises, Inc.**, San
Antonio, TX (US)

(**) Term: **14 Years**

(21) Appl. No.: **29/442,328**

(22) Filed: **Feb. 6, 2013**

(51) **LOC (10) Cl.** **24-02**

(52) **U.S. Cl.** **D24/155**
USPC

(58) **Field of Classification Search**
USPC D24/155, 156, 133; 623/17.11, 17.15,
623/17.16, 17.12, 18.11, 20.21, 21.13;
606/90, 86 A, 62, 63, 99, 309, 86 R, 300
See application file for complete search history.

(56) **References Cited**

U.S. PATENT DOCUMENTS

4,259,752	A *	4/1981	Taleisnik	623/21.13
D292,124	S *	9/1987	Roden et al.	D24/156
D292,125	S *	9/1987	Roden et al.	D24/156
7,041,106	B1 *	5/2006	Carver et al.	606/309
7,588,603	B2 *	9/2009	Leonard	623/20.21

8,262,712	B2	9/2012	Coillard-Lavirotte et al.	
8,394,097	B2 *	3/2013	Peyrot et al. 606/62
8,475,456	B2 *	7/2013	Augoyard et al. 606/62
8,834,483	B2 *	9/2014	Cheney et al. 606/99
8,834,572	B2 *	9/2014	Averous et al. 623/18.11
2005/0283159	A1	12/2005	Amara	
2006/0084998	A1 *	4/2006	Levy et al. 606/63
2008/0177262	A1	7/2008	Augoyard et al.	
2010/0131014	A1	5/2010	Peyrot et al.	

OTHER PUBLICATIONS

BME Sales Brochure covering Nitinol Intramedullary Fixation System introduced Mar. 4, 2010.

* cited by examiner

Primary Examiner — Ian Simmons

Assistant Examiner — Charles Hanson

(74) *Attorney, Agent, or Firm* — Christopher L. Makay

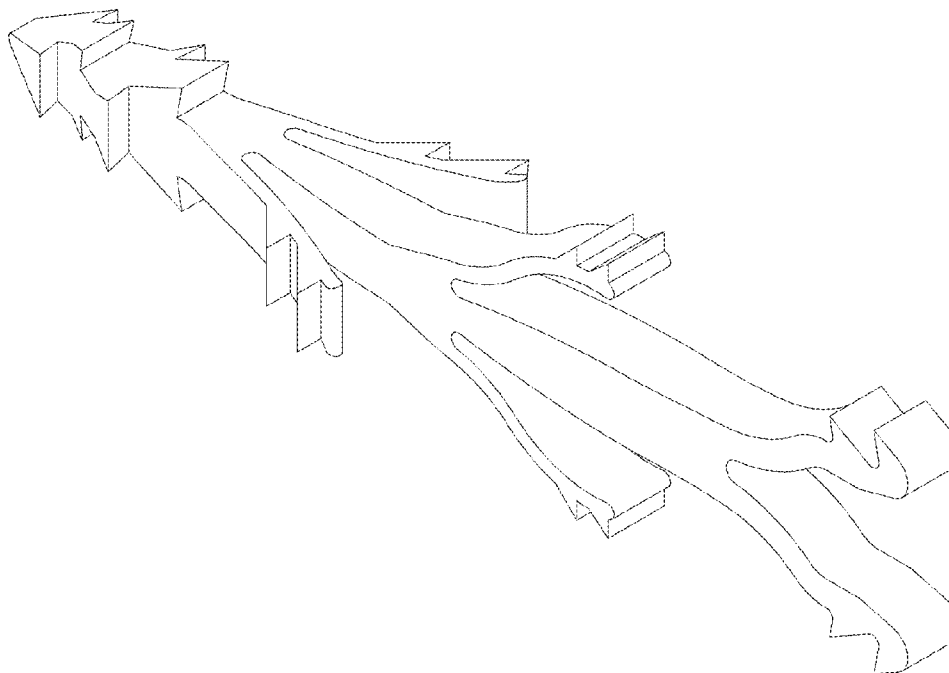
(57) **CLAIM**

The ornamental design for an orthopedic implant, as shown and described.

DESCRIPTION

FIG. 1 is a left side view of the orthopedic implant;
FIG. 2 is a right side view thereof;
FIG. 3 is a left end view thereof;
FIG. 4 is a right end view thereof;
FIG. 5 is a top view thereof;
FIG. 6 is a bottom view thereof; and,
FIG. 7 is a perspective view thereof.

1 Claim, 6 Drawing Sheets



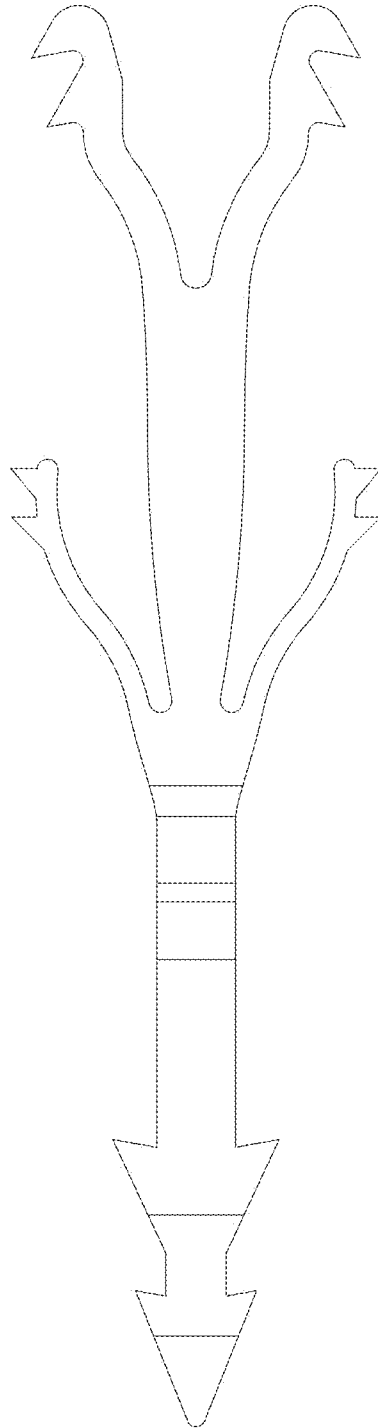


FIG 1

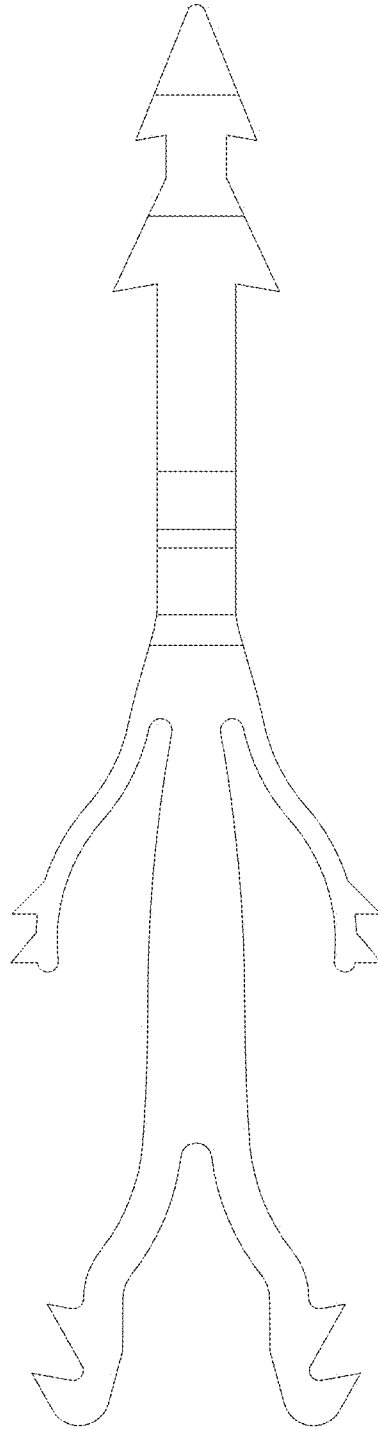


FIG 2

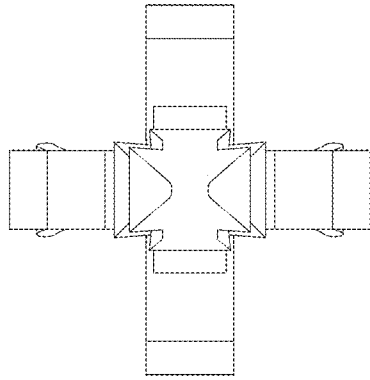


FIG 3

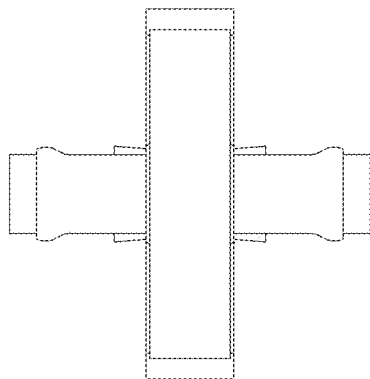


FIG 4

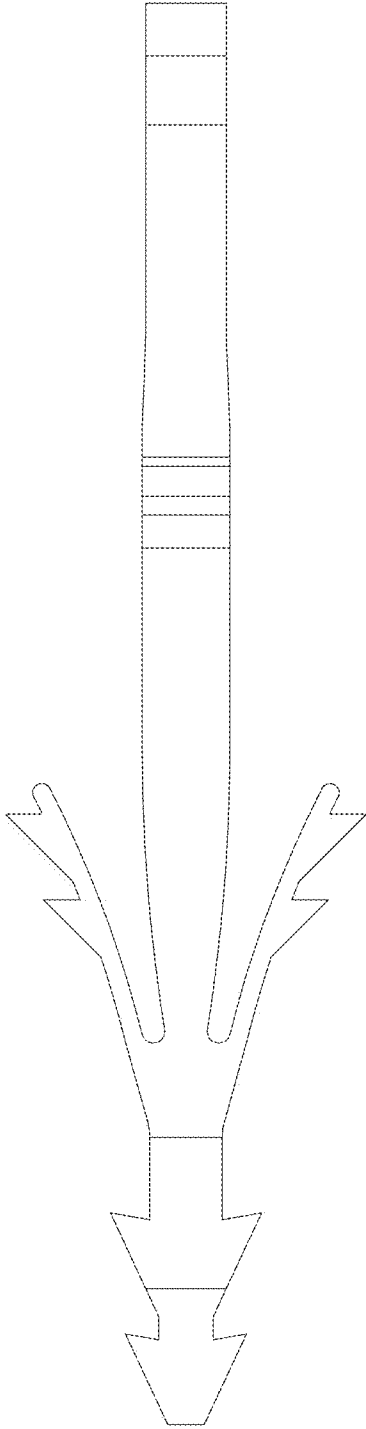


FIG 5

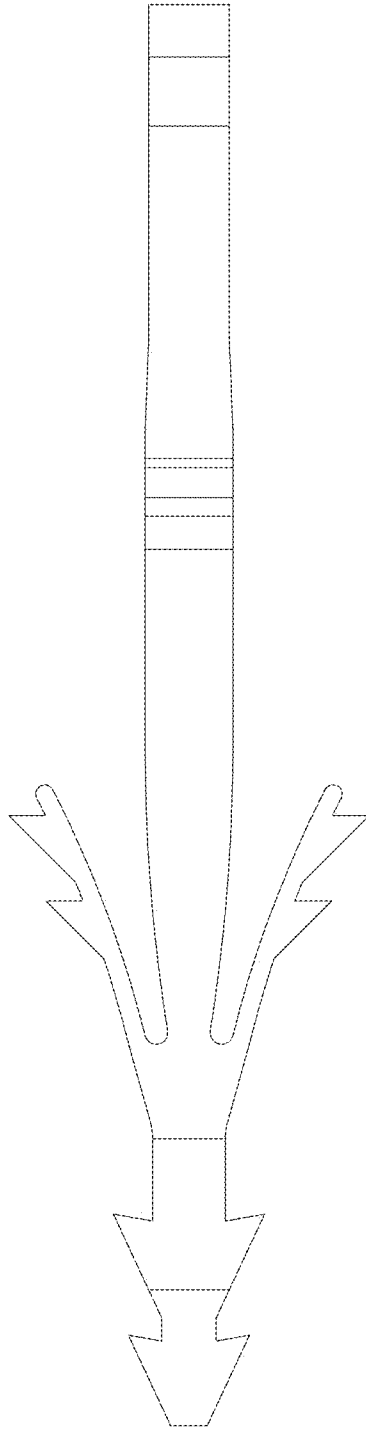


FIG 6

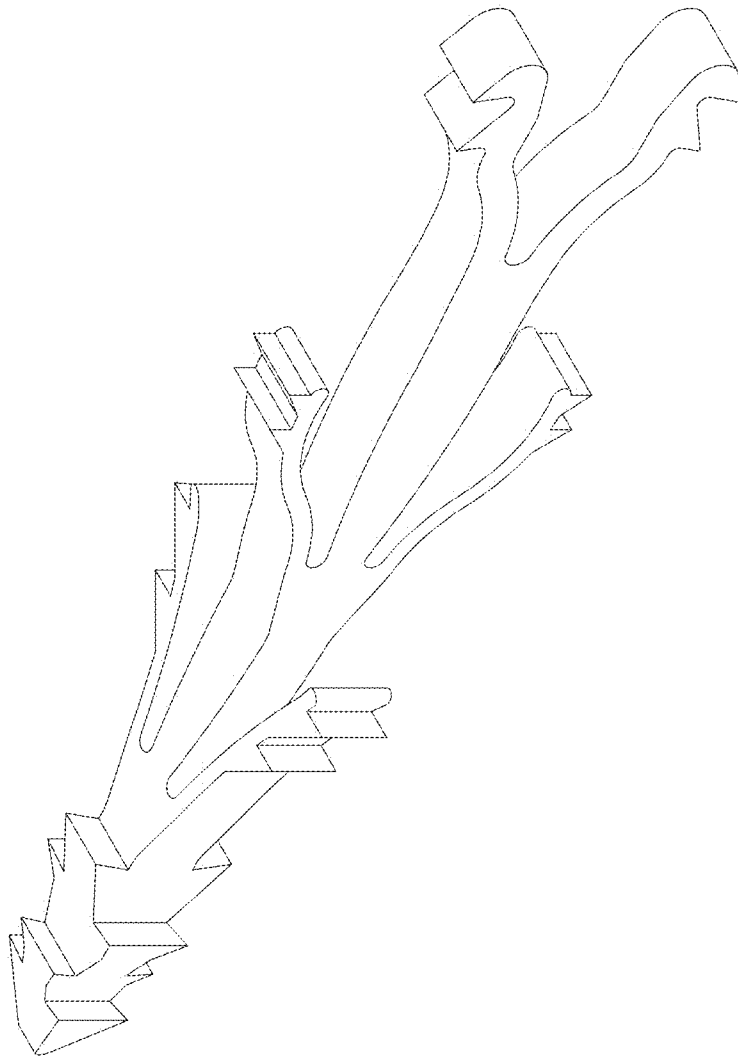


FIG 7