



US00D848528S

(12) **United States Design Patent** (10) **Patent No.:** **US D848,528 S**
Lee et al. (45) **Date of Patent:** **** May 14, 2019**

(54) **DIGITAL SIGNAGE**

FOREIGN PATENT DOCUMENTS

(71) Applicant: **SAMSUNG ELECTRONICS CO., LTD.**, Suwon-si, Gyeonggi-do (KR)

EM 002573824-0003 11/2014

(72) Inventors: **Yang-Jic Lee**, Gwachon-Si (KR);
Sae-Rom Hwang, Seoul (KR);
Tae-Yeon Won, Yongin-si (KR)

OTHER PUBLICATIONS

(73) Assignee: **SAMSUNG ELECTRONICS CO., LTD.**, Gyeonggi-Do (KR)

“Olive LED Sign.” Found online Dec. 19, 2018 at amazon.com. Page dated Mar. 30, 2011. Retrieved from [HTTPS://WWW.AMAZON.COM/DP/B00815ETYM/REF=SSPA_DK_DETAIL_2?PSC=1&PD_RD_I=B00815ETYM&PD_RD_W=ZCRMN&PF_RD_P=F0DEDBE2-13C8-4136-A746-4398ED93CF0F&PD_RD_WG=KL1CA&PF_RD_R=52Z3B2M71TSBX2SNVAD3&PD_RD_R=922E0312-FCB](https://www.amazon.com/dp/B00815ETYM/ref=sspa_dk_detail_2?psc=1&pd_rd_i=B00815ETYM&pd_rd_w=zcrmn&pf_rd_p=f0dedbe2-13c8-4136-a746-4398ed93cf0f&pd_rd_wg=kl1ca&pf_rd_r=52z3b2m71tsbx2snvad3&pd_rd_r=922e0312-fcb) (Year: 2011).*

(**) Term: **15 Years**

(Continued)

(21) Appl. No.: **29/637,824**

(22) Filed: **Feb. 22, 2018**

Primary Examiner — George D. Kirschbaum

Assistant Examiner — Sloan Rozin

(30) **Foreign Application Priority Data**

(74) *Attorney, Agent, or Firm* — Cantor Colburn LLP

Sep. 8, 2017 (KR) 30-2017-0042206

(51) **LOC (11) Cl.** **20-03**

(52) **U.S. Cl.**
USPC **D20/10**

(58) **Field of Classification Search**

USPC D20/10, 19, 21, 22, 25, 27, 28, 37, 40,
D20/42, 43; D14/485–495

CPC G09F 1/00; G09F 1/02; G09F 1/04; G09F
1/06; G09F 1/08; G09F 9/00; G09F
13/00; G09F 2003/0264

See application file for complete search history.

(56) **References Cited**

U.S. PATENT DOCUMENTS

D288,101 S * 2/1987 Rohrer, III D20/10
D300,642 S * 4/1989 Pawlik D20/10
D308,543 S * 6/1990 Hunter D20/10
D313,431 S * 1/1991 Jaskiel, Jr. D14/126
D344,294 S * 2/1994 Foust D20/42
D348,287 S * 6/1994 Odmark D20/43
D352,070 S * 11/1994 Gibson D20/40
D405,473 S * 2/1999 Tikhonski D20/10
D430,901 S * 9/2000 Palmer D20/10

(Continued)

(57) **CLAIM**

The ornamental design for a digital signage, as shown and described.

DESCRIPTION

FIG. 1 is a perspective view of a digital signage showing our new design;

FIG. 2 is a front view thereof;

FIG. 3 is a rear view thereof;

FIG. 4 is a left-side view thereof;

FIG. 5 is a right-side view thereof;

FIG. 6 is a top plan view thereof;

FIG. 7 is a bottom plan view thereof;

FIG. 8 is a front perspective-exploded view thereof;

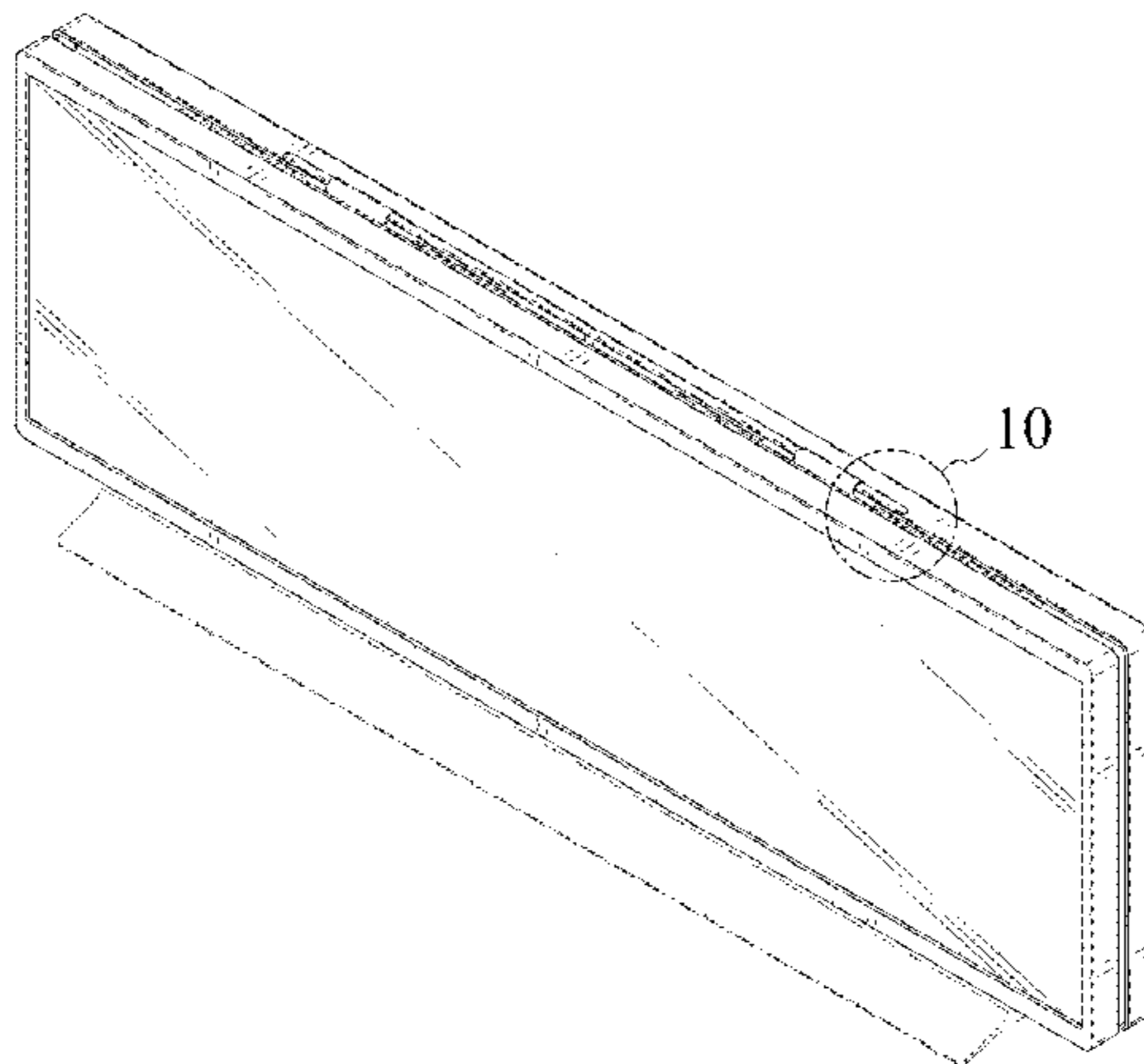
FIG. 9 is a rear perspective-exploded view thereof; and,

FIG. 10 is an enlarged view of the encircled portion 10 in FIG. 1.

The evenly dashed broken lines are for environmental purpose only and form no part of the claimed design.

In the drawings, the even-length broken lines depict portions of the digital signage that form no part of the claimed design.

1 Claim, 10 Drawing Sheets



(56)

References Cited

U.S. PATENT DOCUMENTS

D445,837 S * 7/2001 Waterhouse D20/40
D635,614 S 4/2011 Yan
D694,827 S * 12/2013 Mudry D20/42
D765,659 S 9/2016 Kim et al.
D765,660 S 9/2016 Kim et al.
D786,814 S 5/2017 Lee et al.
2017/0227806 A1* 8/2017 Yamamoto G09F 9/00
2017/0357112 A1* 12/2017 Shibahara G02F 1/1347

OTHER PUBLICATIONS

“Samsung SH37F94 cm (37”)LCD Digital Signage Display”. Found online Dec. 19, 2018 at amazon.com. Page dated Feb. 16, 2018. Retrieved from [HTTPS://WWW.AMAZON.COM/SAMSUNG-SH37F-DIGITAL-SIGNAGE-DISPLAY/DP/B01LQ3XD26/REF=SR_1_18?IE=UTF8&QID=1544470956&SR=8-18&KEYWORDS=SAMSUNG+SIGNAGE](https://www.amazon.com/SAMSUNG-SH37F-DIGITAL-SIGNAGE-DISPLAY/DP/B01LQ3XD26/REF=SR_1_18?IE=UTF8&QID=1544470956&SR=8-18&KEYWORDS=SAMSUNG+SIGNAGE) (Year: 2018).*

“SEYYOOTDS4910H 49” 6 Points Interactive Kiosk for Digital Signage, Commercial Touch Display Kiosks.” Found online Dec. 19, 2018 at amazon.com. Page dated Feb. 22, 2015. Retrieved from [HTTPS://WWW.AMAZON.COM/DP/B00TWJGKKE/REF=SSPA_DK_DETAIL_6?PSC=1](https://www.amazon.com/DP/B00TWJGKKE/REF=SSPA_DK_DETAIL_6?PSC=1) (Year: 2015).*

* cited by examiner

FIG. 1

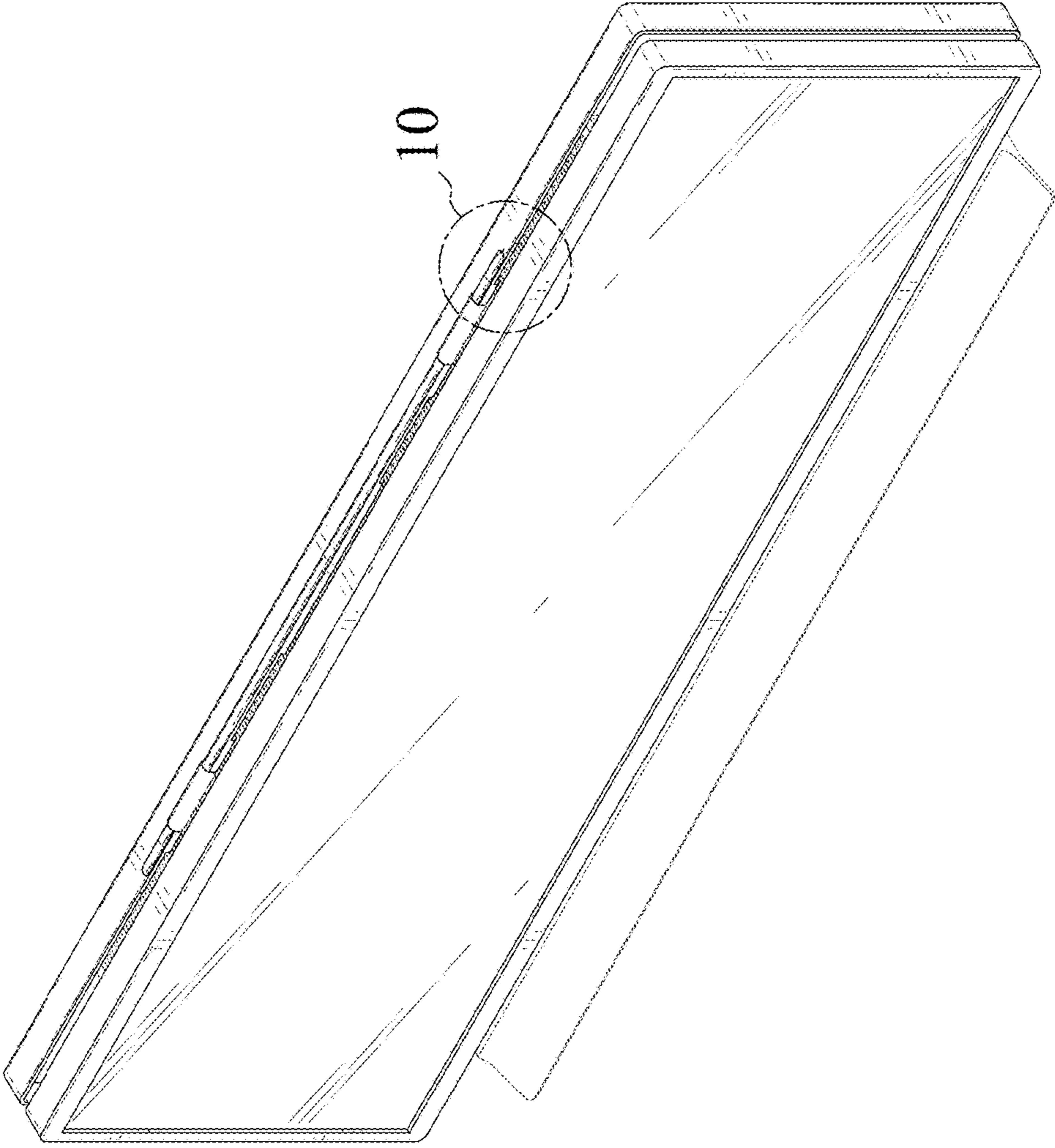


FIG. 2

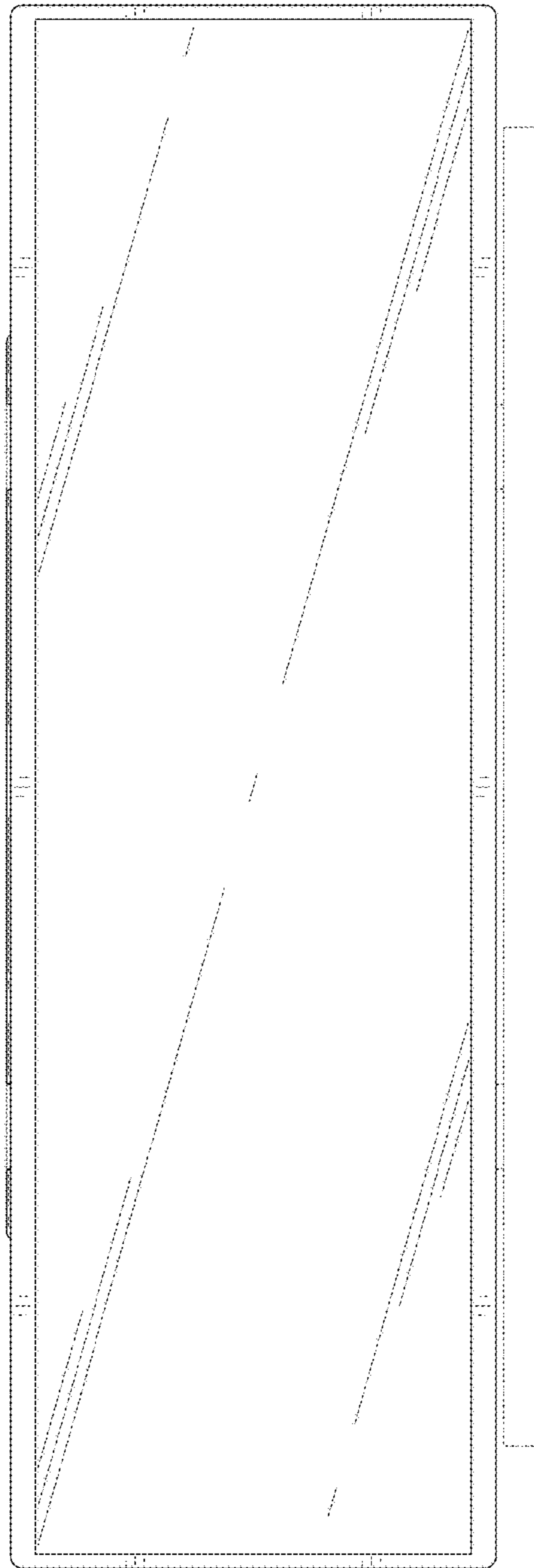


FIG. 3

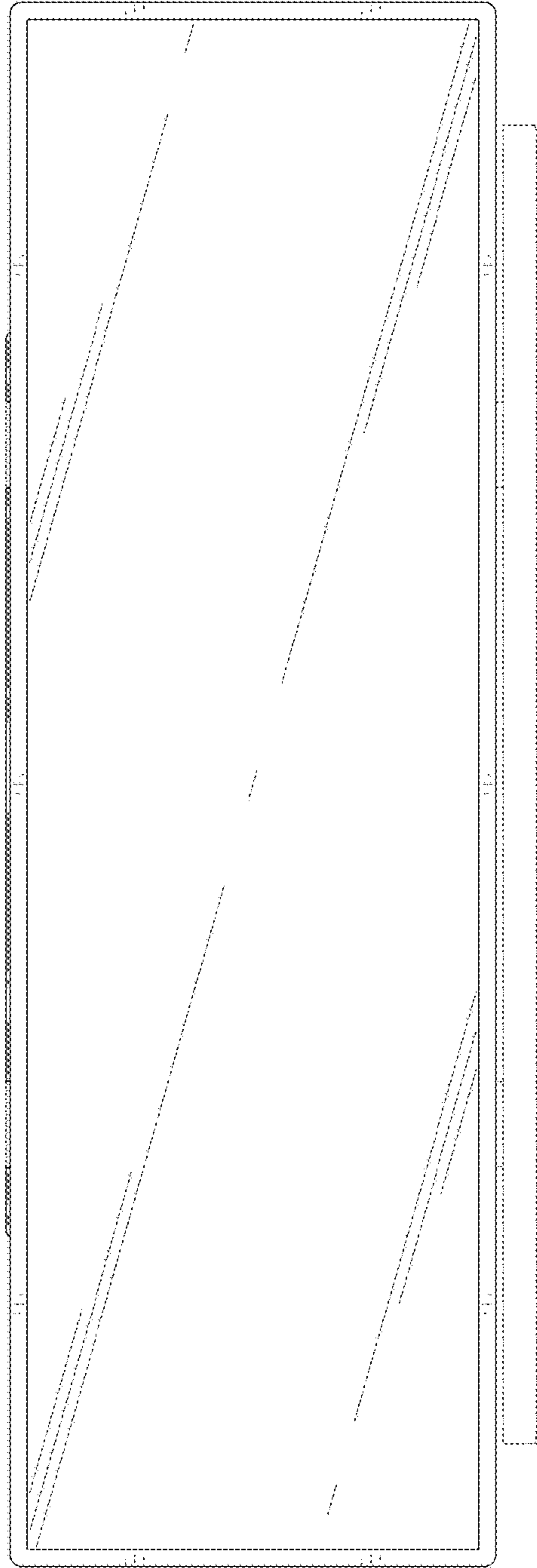


FIG. 4

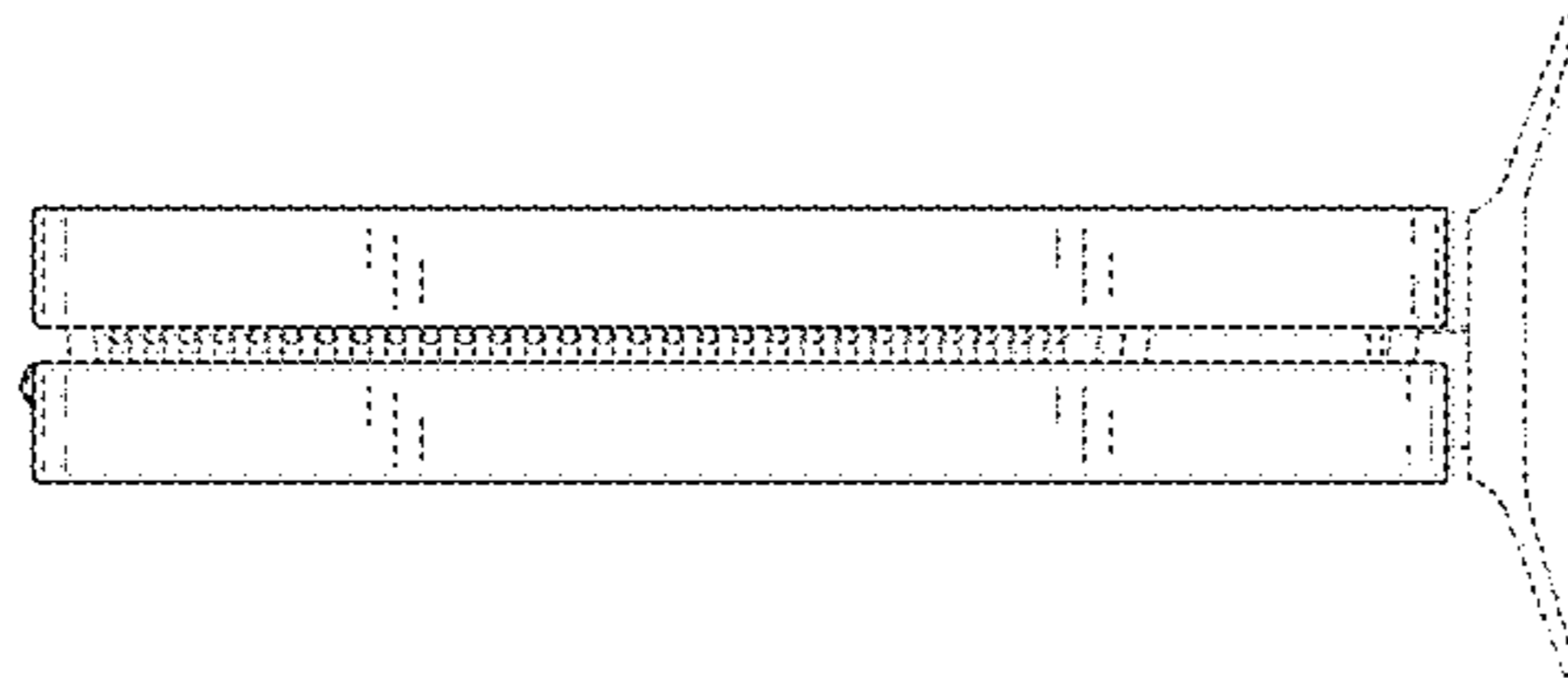


FIG. 5

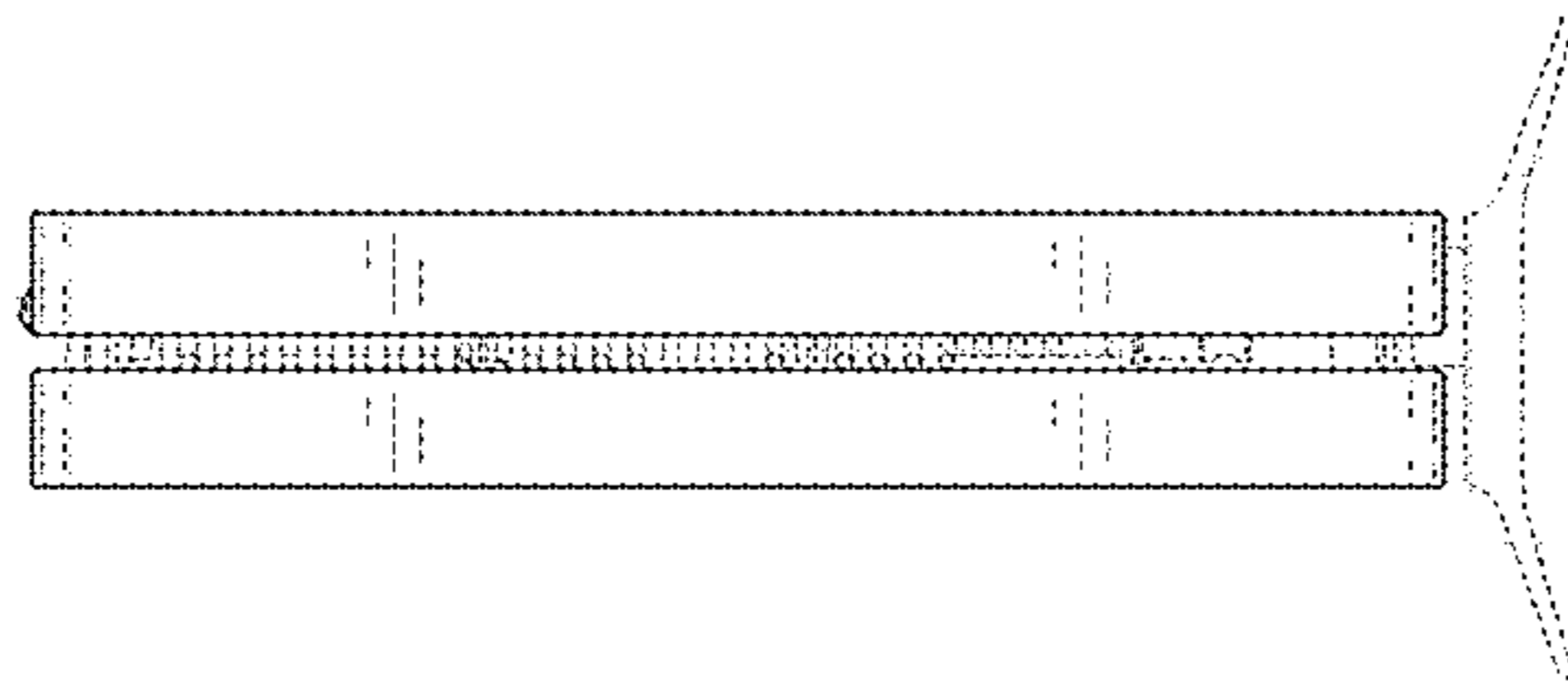


FIG. 6

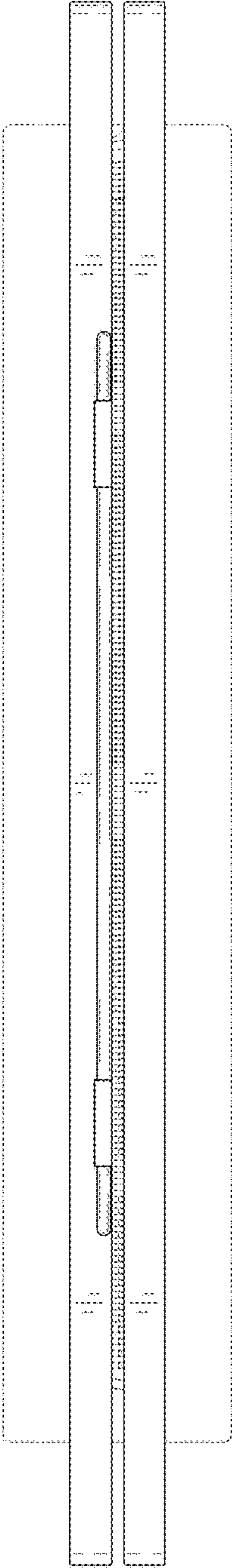


FIG. 7

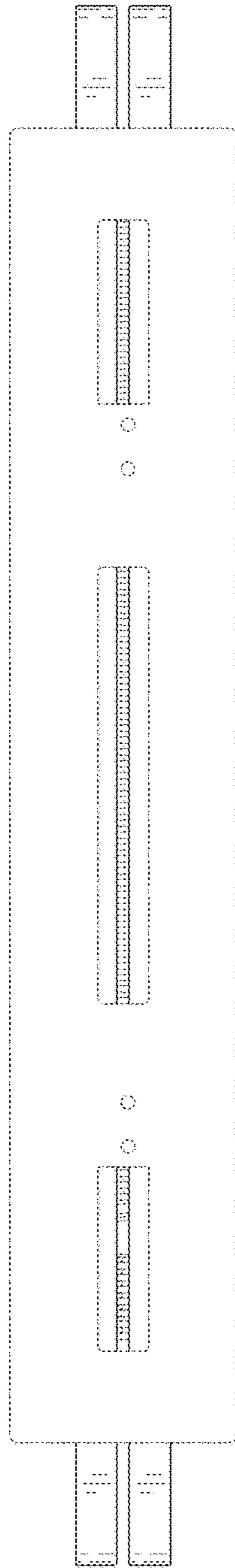


FIG. 8

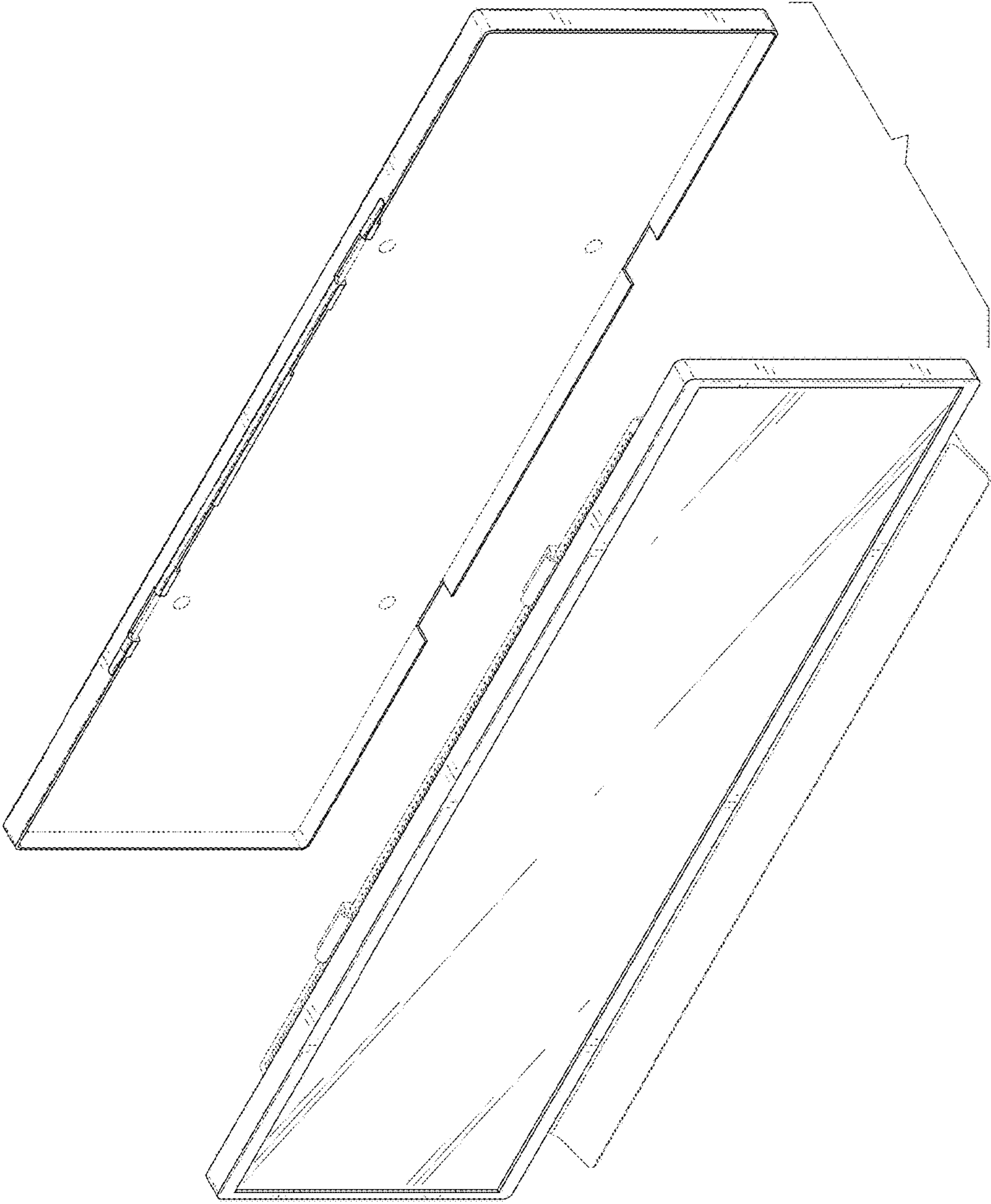


FIG. 9

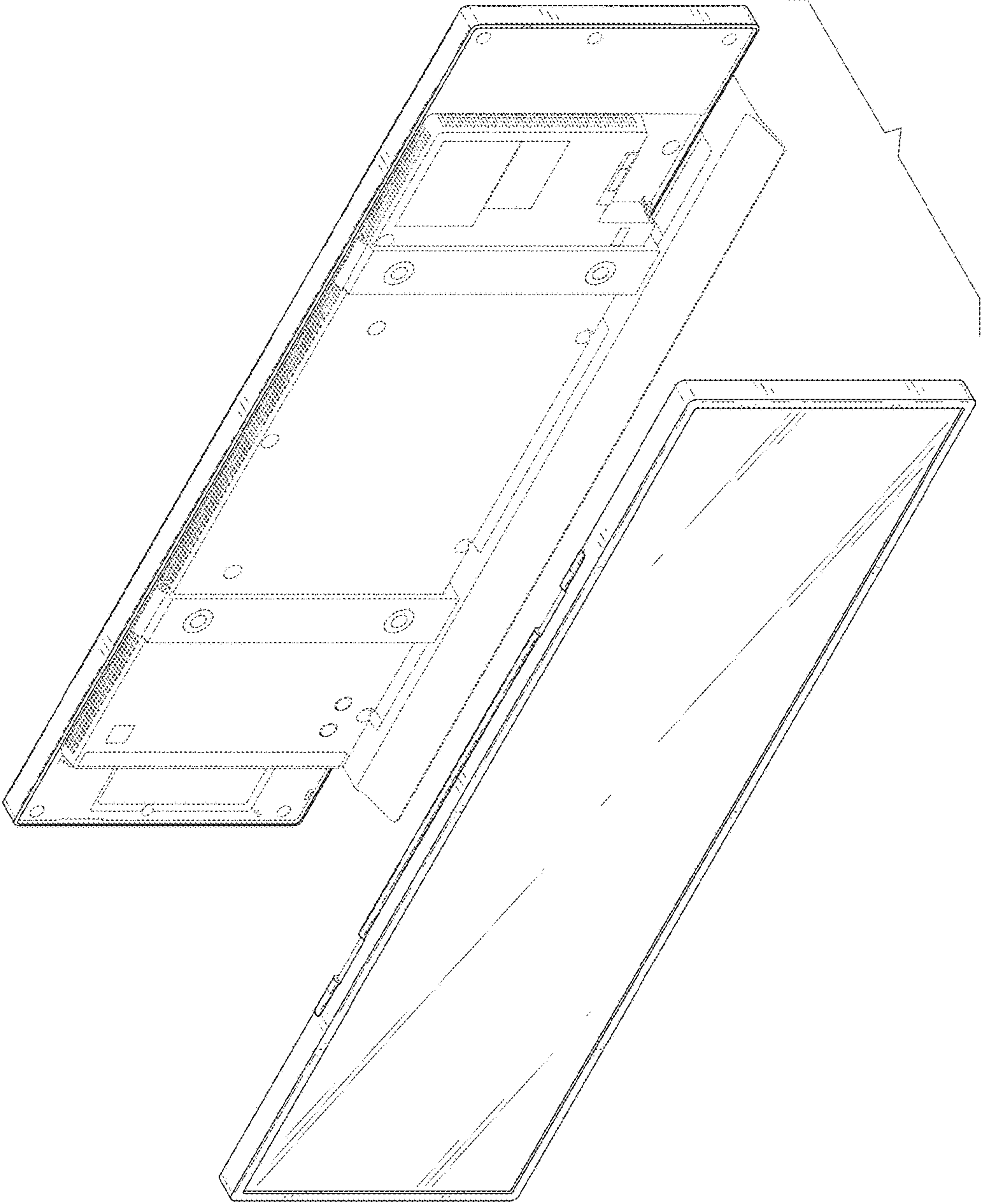


FIG. 10

