



US00D737004S

(12) **United States Design Patent**
Russell et al.

(10) **Patent No.:** **US D737,004 S**
(45) **Date of Patent:** **** Aug. 18, 2015**

- (54) **HANDHELD TRANSMITTER**
- (71) Applicant: **Radio Systems Corporation**, Knoxville, TN (US)
- (72) Inventors: **Aaron Russell**, Knoxville, TN (US); **Clay Thompson**, Bristol, SD (US); **Chuanbo “Michael” Zhou**, Shenzhen (CN); **Zhongqiu “Waterman” Cao**, Shenzhen (CN); **Chris Morgan**, Knoxville, TN (US)
- (73) Assignee: **Radio Systems Corporation**, Knoxville, TN (US)

4,887,549 A	12/1989	Powell
5,099,797 A	3/1992	Gonda
5,193,484 A	3/1993	Gonda
5,605,116 A	2/1997	Kim et al.
D383,745 S	9/1997	Lindeman et al.
D387,758 S	12/1997	Oross et al.
D389,139 S	1/1998	Oross et al.
D389,158 S	1/1998	Oross
D389,827 S	1/1998	Oross et al.
D395,882 S	7/1998	Oross et al.
D398,923 S	9/1998	Tokiyama et al.
D399,821 S	10/1998	Tyneski et al.
5,857,433 A	1/1999	Files
D408,396 S	4/1999	Tyneski et al.
D413,022 S	8/1999	Tyneski et al.
D416,252 S	11/1999	Haase et al.
D416,893 S	11/1999	Tyneski et al.
D418,137 S	12/1999	Zeitman

(**) Term: **14 Years**

(Continued)

- (21) Appl. No.: **29/479,220**
- (22) Filed: **Jan. 13, 2014**
- (51) **LOC (10) Cl.** **30-99**
- (52) **U.S. Cl.**
USPC **D30/199**
- (58) **Field of Classification Search**
USPC D30/144, 145, 151, 152, 155, 199;
D10/104.1, 104.2; D13/168; D14/137,
D14/138 AB, 155, 159, 218, 247; 119/712,
119/718, 719, 720, 721, 856, 858, 859, 860,
119/863; 340/573.1, 573.3, 573.4, 539.14,
340/539.15
CPC A01K 15/21; A01K 15/22; A01K 15/23;
A01K 15/04; A01K 11/006; A01K 27/001;
A01K 27/009; H04N 5/4403
See application file for complete search history.

Primary Examiner — Martie K Holtje
(74) *Attorney, Agent, or Firm* — Peter L. Brewer; David F. Sawrie; Baker Donelson

(57) **CLAIM**
We claim the ornamental design for a handheld transmitter, as shown and described.

DESCRIPTION

This application is related to co-pending U.S. Ser. No. 29/479,170, filed Jan. 13, 2014.
FIG. 1 is a top, right front perspective view of a handheld transmitter showing our new design;
FIG. 2 is a front elevational view thereof;
FIG. 3 is a rear elevational view thereof;
FIG. 4 is a top plan view thereof;
FIG. 5 is a bottom plan view thereof;
FIG. 6 is a right side elevational view thereof;
FIG. 7 is left side elevational view of thereof; and,
FIG. 8 is a bottom, left front perspective view thereof.
The structural features depicted by broken lines have been shown for the purpose of illustrating portions of the handheld transmitter that form no part of the claimed design.

1 Claim, 5 Drawing Sheets

- (56) **References Cited**
U.S. PATENT DOCUMENTS
D170,564 S 10/1953 Bloss
D192,360 S 3/1962 Kleeberg
D298,872 S 12/1988 Cassel et al.
4,794,402 A 12/1988 Gonda et al.



(56)

References Cited

U.S. PATENT DOCUMENTS

6,061,037 A 5/2000 Brouwers et al.
 D426,166 S 6/2000 Ferron et al.
 D427,177 S 6/2000 Yamazaki
 D427,919 S 7/2000 Laverick et al.
 D428,866 S 8/2000 You
 D433,001 S 10/2000 Haase et al.
 D433,395 S 11/2000 Wong
 D433,396 S 11/2000 Wong
 D434,401 S 11/2000 Haase et al.
 D436,094 S 1/2001 Yamada
 6,167,843 B1* 1/2001 Kim 119/720
 D445,706 S 7/2001 Myers et al.
 D446,144 S* 8/2001 Christensen et al. D10/104.1
 D446,195 S 8/2001 Chamberlain et al.
 D451,836 S 12/2001 Fleetwood et al.
 D452,684 S 1/2002 Sedan et al.
 D456,374 S 4/2002 Haase et al.
 D456,811 S 5/2002 Wheelock et al.
 D457,873 S 5/2002 Ng
 D462,916 S 9/2002 Fleetwood et al.
 6,474,269 B2 11/2002 So
 D467,888 S 12/2002 Mirabelli et al.
 6,549,133 B2* 4/2003 Duncan et al. 340/573.3
 6,598,563 B2* 7/2003 Kim et al. 119/720
 D479,831 S 9/2003 Ng et al.
 D480,695 S 10/2003 Cebe et al.
 D481,025 S 10/2003 Cebe et al.
 D482,009 S 11/2003 Robertson, Jr. et al.
 D482,630 S 11/2003 So

D491,548 S 6/2004 Cho
 D500,486 S 1/2005 Zeitman
 6,860,240 B2* 3/2005 Kim et al. 119/719
 6,901,883 B2 6/2005 Gillis et al.
 D510,077 S 9/2005 Oh
 D510,333 S 10/2005 Lodato et al.
 7,017,524 B2* 3/2006 Gillis et al. 119/719
 7,034,693 B2 4/2006 Lee, IV
 7,111,586 B2* 9/2006 Lee et al. 119/719
 D531,584 S 11/2006 Myers et al.
 D535,973 S 1/2007 Goetzl et al.
 D545,790 S 7/2007 Jameson et al.
 D545,791 S 7/2007 Jameson et al.
 D553,037 S 10/2007 Zakharyan et al.
 D555,298 S 11/2007 Garon
 7,377,234 B2 5/2008 Belcher
 D571,768 S 6/2008 Shi et al.
 7,382,328 B2 6/2008 Lee, IV et al.
 D573,564 S 7/2008 Goetzl et al.
 7,607,406 B2* 10/2009 So 119/719
 7,647,545 B2 1/2010 McFarland
 7,667,607 B2 2/2010 Gerig et al.
 D615,438 S 5/2010 Goetzl et al.
 7,712,438 B2 5/2010 Reinhart
 8,011,327 B2 9/2011 Mainini et al.
 8,069,823 B2 12/2011 Mainini et al.
 D659,304 S 5/2012 Vatka et al.
 8,181,607 B2* 5/2012 Kim 119/720
 8,456,292 B2 6/2013 Fukasawa et al.
 2004/0206310 A1* 10/2004 Hutchins 119/720
 2008/0036610 A1* 2/2008 Hokuf et al. 340/573.3
 2012/0272924 A1* 11/2012 So 119/720

* cited by examiner

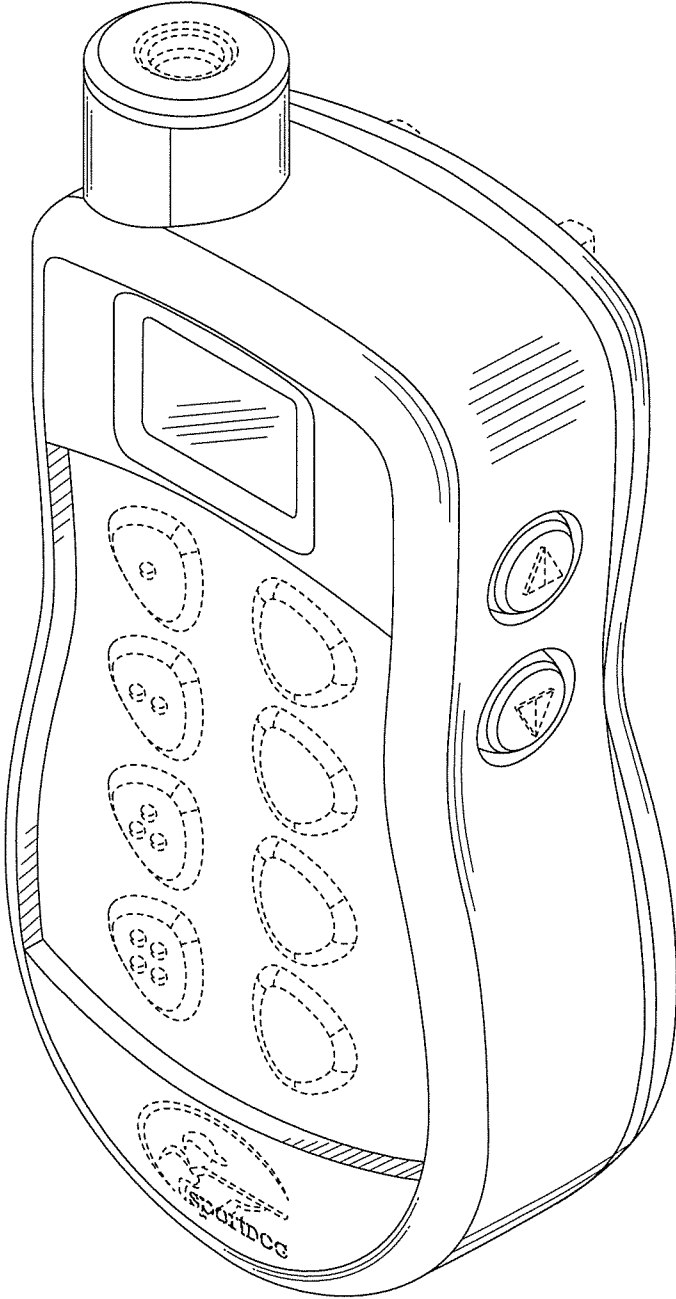


FIG. 1

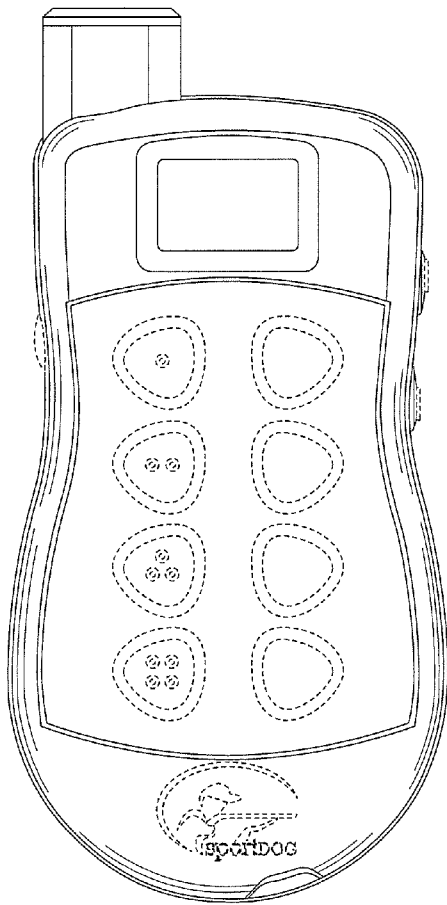


FIG. 2

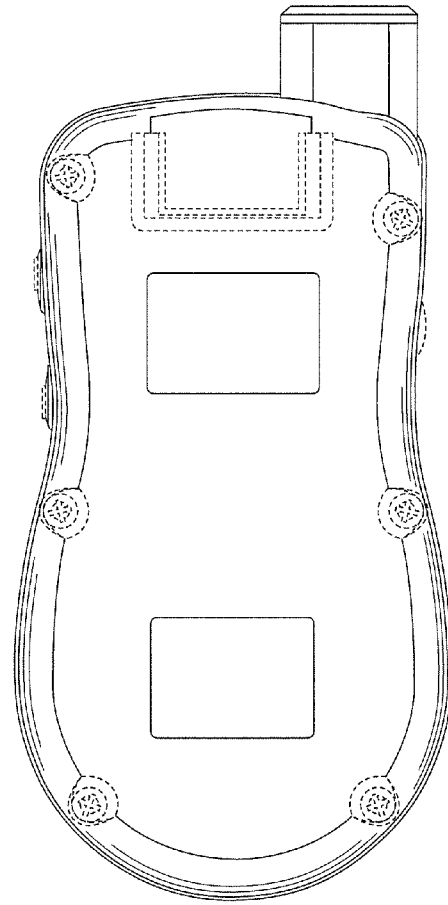


FIG. 3

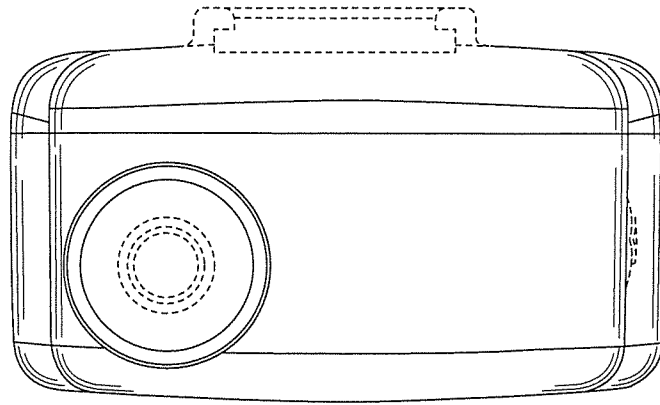


FIG. 4

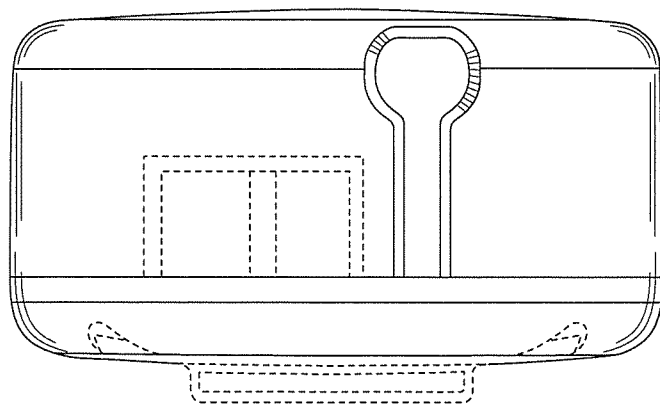


FIG. 5

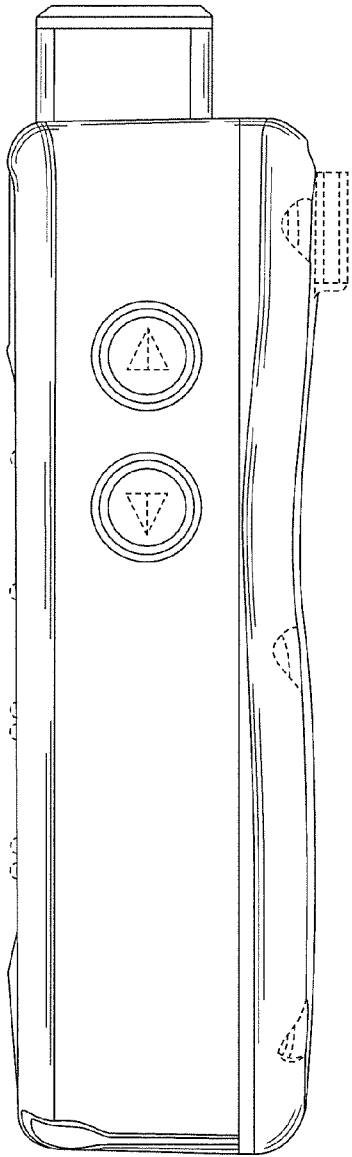


FIG. 6

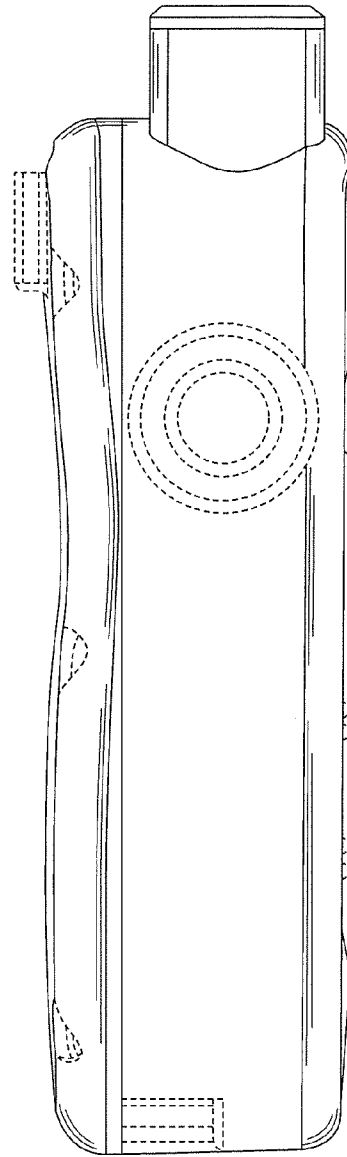


FIG. 7



FIG. 8