



US00D697838S

(12) **United States Design Patent**  
**Borkholder**

(10) **Patent No.:** **US D697,838 S**

(45) **Date of Patent:** **\*\* Jan. 21, 2014**

(54) **ADJUSTABLE RECEIVER HITCH**

(56) **References Cited**

(71) Applicant: **Carl Borkholder**, Bremen, IN (US)

U.S. PATENT DOCUMENTS

(72) Inventor: **Carl Borkholder**, Bremen, IN (US)

3,782,761	A	*	1/1974	Cardin, Sr.	.....	280/507
D326,834	S	*	6/1992	Kuhlemeier et al.	.....	D12/162
D576,085	S	*	9/2008	Devlin	.....	D12/162
7,455,313	B2	*	11/2008	Yokosh et al.	.....	280/507
D591,208	S	*	4/2009	Wubker, Jr.	.....	D12/162
D612,775	S	*	3/2010	Davis	.....	D12/162
D628,128	S	*	11/2010	Sanders et al.	.....	D12/162
D688,168	S	*	8/2013	Buschman	.....	D12/162
2012/0049484	A1	*	3/2012	Brass	.....	280/507

(\*\*) Term: **14 Years**

(21) Appl. No.: **29/438,306**

\* cited by examiner

(22) Filed: **Nov. 28, 2012**

(51) **LOC (10) Cl.** ..... **12-16**

*Primary Examiner* — Katrina A Betton

(52) **U.S. Cl.**

(74) *Attorney, Agent, or Firm* — QuickPatents; Kevin Prince

USPC ..... **D12/162**

(58) **Field of Classification Search**

(57) **CLAIM**

I claim the ornamental design for an adjustable receiver hitch, as shown and described.

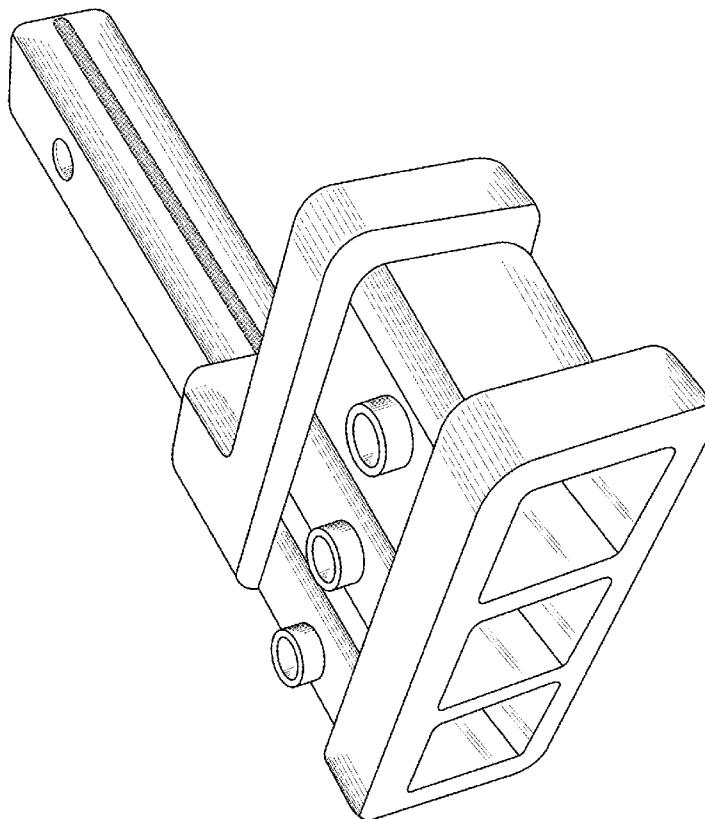
USPC ..... D12/162, 159, 160, 161; 56/DIG. 14;  
 37/399; 280/406.2, 407, 407.1, 408,  
 280/411.1, 416.1, 416.2, 416.3, 418, 418.1,  
 280/433, 434, 435, 441.1, 441.2, 455.1,  
 280/456.1, 480, 493, 504, 507, 508;  
 224/42.11, 42.12, 42.14, 42.26, 400,  
 224/401, 412, 413, 488, 494, 500–501, 519,  
 224/537; 135/88.05; 150/166

**DESCRIPTION**

FIG. 1 is a perspective view of an adjustable receiver hitch, showing my new design;  
 FIG. 2 is a left-side elevational view thereof, the right-side elevational view being a mirror image thereof;  
 FIG. 3 is a top plan view thereof;  
 FIG. 4 is a bottom plan view thereof;  
 FIG. 5 is a front elevational view thereof; and,  
 FIG. 6 is a rear elevational view thereof.

See application file for complete search history.

**1 Claim, 3 Drawing Sheets**



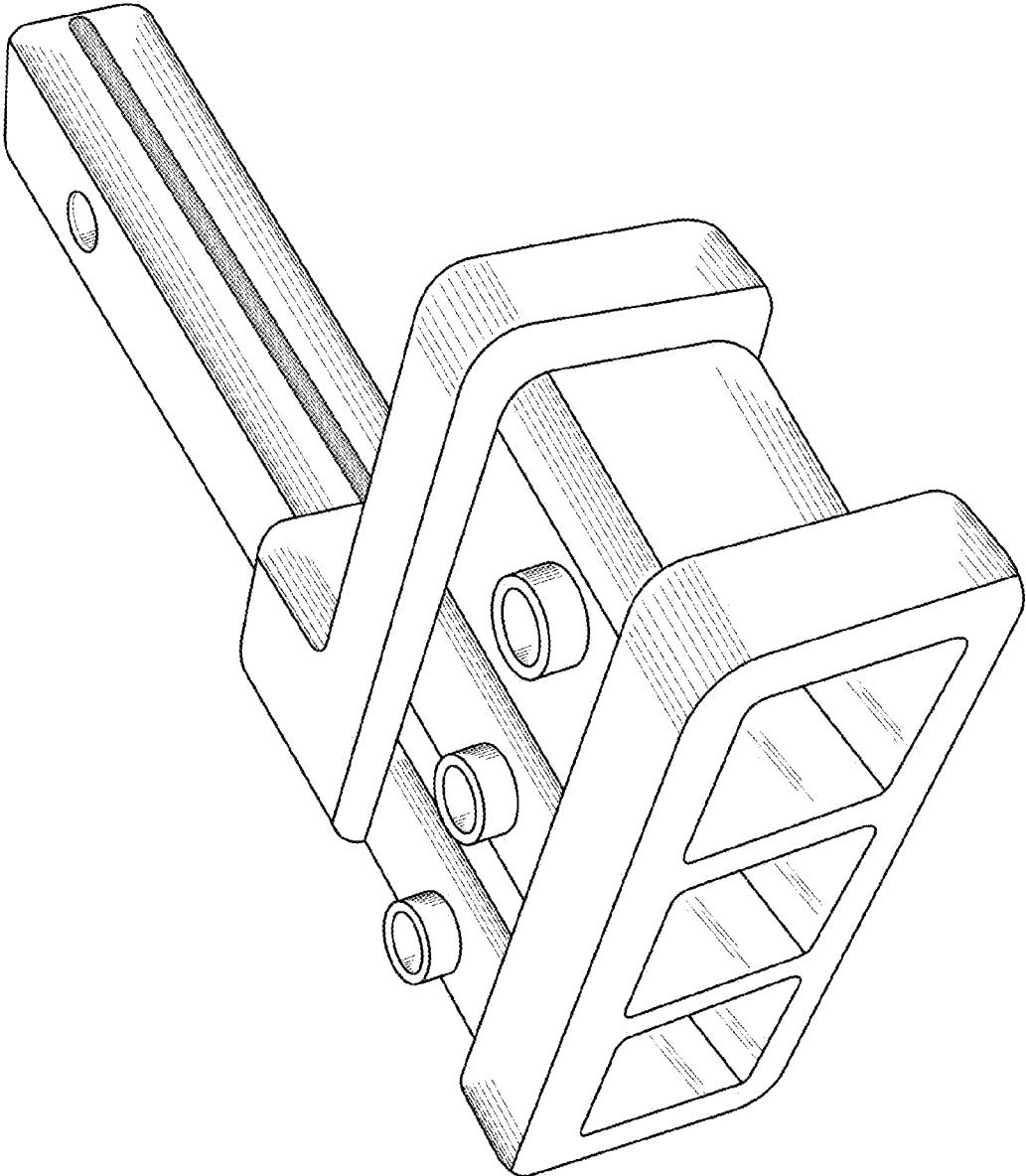


FIG. 1

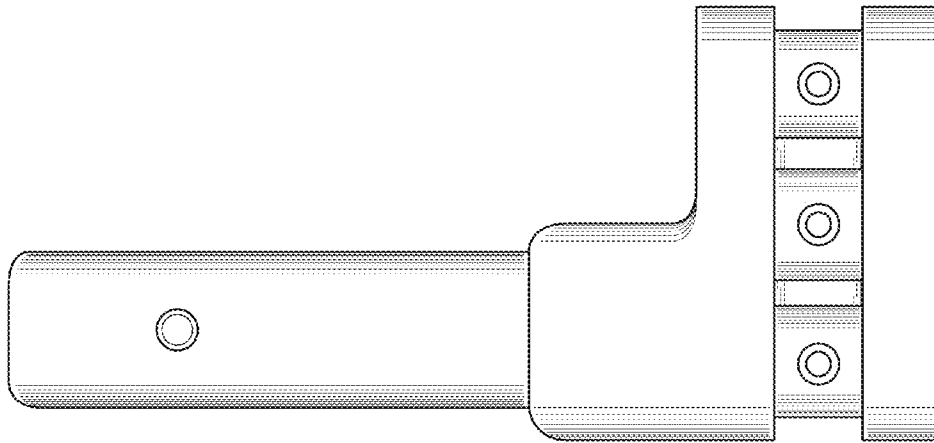


FIG. 2

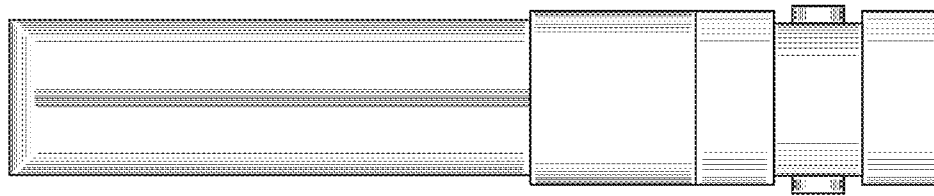


FIG. 3

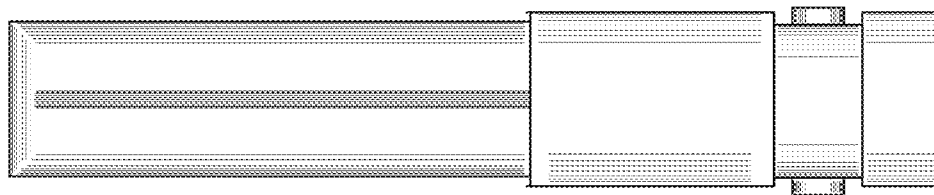


FIG. 4

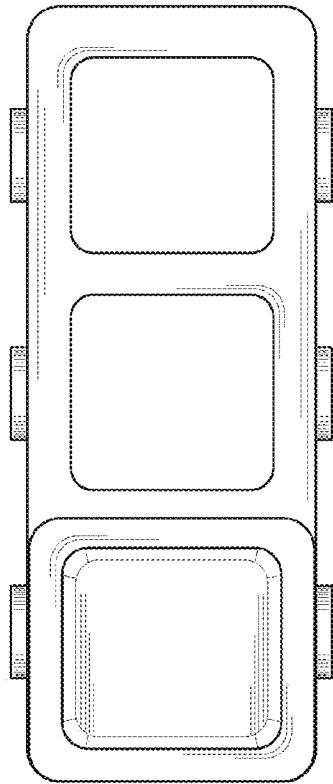


FIG. 5

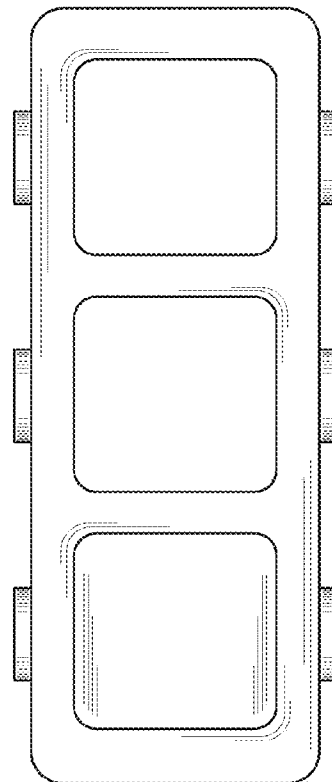


FIG. 6