



US0D1032865S

(12) **United States Design Patent**
Liu et al.

(10) **Patent No.:** **US D1,032,865 S**

(45) **Date of Patent:** **** Jun. 25, 2024**

(54) **ADULT TOY**

(71) Applicant: **HYTTO PTE. LTD.**, Singapore (SG)

(72) Inventors: **Dan Liu**, Singapore (SG); **Jilin Qiu**, Singapore (SG)

(**) Term: **15 Years**

(21) Appl. No.: **29/922,937**

(22) Filed: **Dec. 27, 2023**

(51) **LOC (14) Cl.** **24-01**

(52) **U.S. Cl.**
USPC **D24/215**

(58) **Field of Classification Search**
USPC D24/141, 188, 200, 211, 212, 213, 214,
D24/215

CPC A61H 19/44; A61H 19/32; A61H 19/00;
A61H 19/34; A61H 19/40; A61H 19/50;
A61H 19/30

See application file for complete search history.

(56) **References Cited**

U.S. PATENT DOCUMENTS

| | | | |
|--------------|---------|-----------------|---------|
| D613,417 S * | 4/2010 | Imboden | D24/215 |
| D637,729 S * | 5/2011 | Tompkin | D24/215 |
| D643,128 S * | 8/2011 | Mohamed | D24/215 |
| D668,346 S * | 10/2012 | Zeng | D24/215 |
| D685,105 S * | 6/2013 | Marshall | D24/215 |
| D693,017 S * | 11/2013 | Tai | D24/215 |
| D694,417 S * | 11/2013 | Tai | D24/215 |
| D698,451 S * | 1/2014 | Tai | D24/215 |
| D698,452 S * | 1/2014 | Tai | D24/215 |
| D704,345 S * | 5/2014 | Tai | D24/215 |
| D706,440 S * | 6/2014 | Hahr | D24/215 |
| D706,441 S * | 6/2014 | Hahr | D24/215 |
| D706,444 S * | 6/2014 | Hahr | D24/215 |
| D773,065 S * | 11/2016 | Driscoll | D24/215 |
| D842,492 S * | 3/2019 | Iurchenko | D24/215 |
| D861,186 S * | 9/2019 | Matsuura | D24/215 |
| D886,319 S * | 6/2020 | Sugimoto | D24/215 |

| | | | |
|--------------|---------|------------------------|---------|
| D890,944 S * | 7/2020 | Tsang | D24/215 |
| D893,042 S * | 8/2020 | Lin | D24/215 |
| D905,265 S * | 12/2020 | Tsang | D24/215 |
| D914,228 S * | 3/2021 | Lin | D24/215 |
| D950,757 S | 5/2022 | Anderton et al. | |
| D950,758 S | 5/2022 | Yzusqui Burkard et al. | |
| D950,766 S * | 5/2022 | Fally | D24/215 |
| D992,748 S * | 7/2023 | Gasta | D24/215 |
| D993,439 S * | 7/2023 | Gasta | D24/215 |

(Continued)

Primary Examiner — Michael A Maharajh

(74) *Attorney, Agent, or Firm* — Daniel M. Cohn;
Howard M. Cohn

(57) **CLAIM**

The ornamental design for an adult toy, as shown and described.

DESCRIPTION

FIG. 1 is a perspective view of an adult toy showing our new design;

FIG. 2 is another perspective view thereof;

FIG. 3 is a front elevational view thereof;

FIG. 4 is a rear elevational view thereof;

FIG. 5 is a left side elevational view thereof;

FIG. 6 is a right side elevational view thereof;

FIG. 7 is a top plan view thereof;

FIG. 8 is a bottom plan view thereof;

FIG. 9 is a perspective view of the adult toy where the adult toy is in a configuration of use;

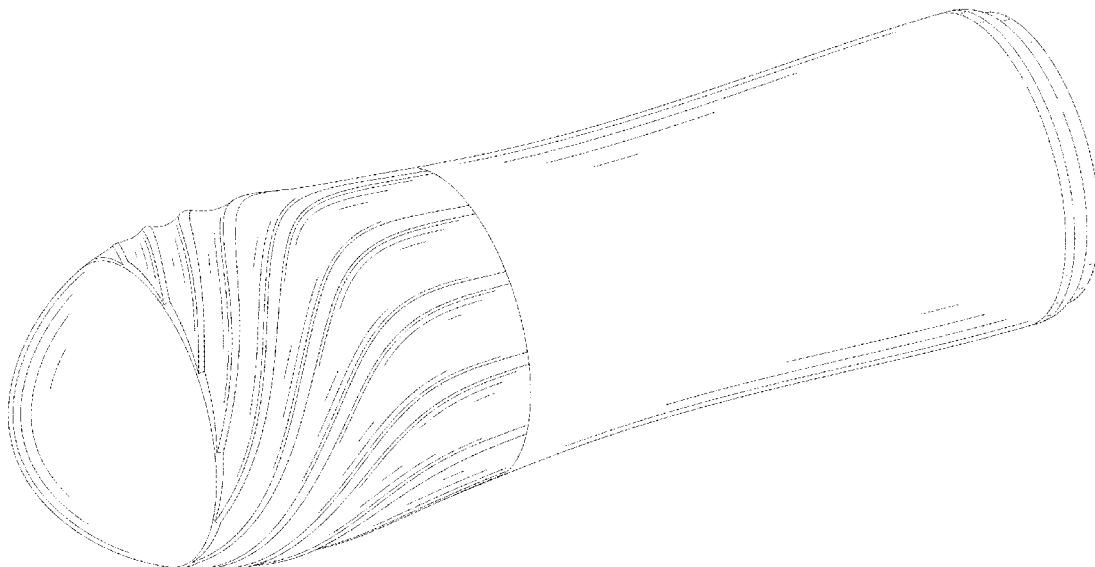
FIG. 10 is a perspective view of the adult toy where the adult toy is in another configuration of use;

FIG. 11 is a perspective view of the adult toy where the adult toy is in another configuration of use; and,

FIG. 12 is a perspective view of the adult toy where the adult toy is in another configuration of use.

The additional dash-dash lines shown in FIGS. 9 through 12 are for the purposes of illustrating environmental structure, which form no part of the claimed design.

1 Claim, 12 Drawing Sheets



(56)

References Cited

U.S. PATENT DOCUMENTS

D998,164 S * 9/2023 Guo D24/215
D998,816 S * 9/2023 Zeng D24/215

* cited by examiner



FIG. 1

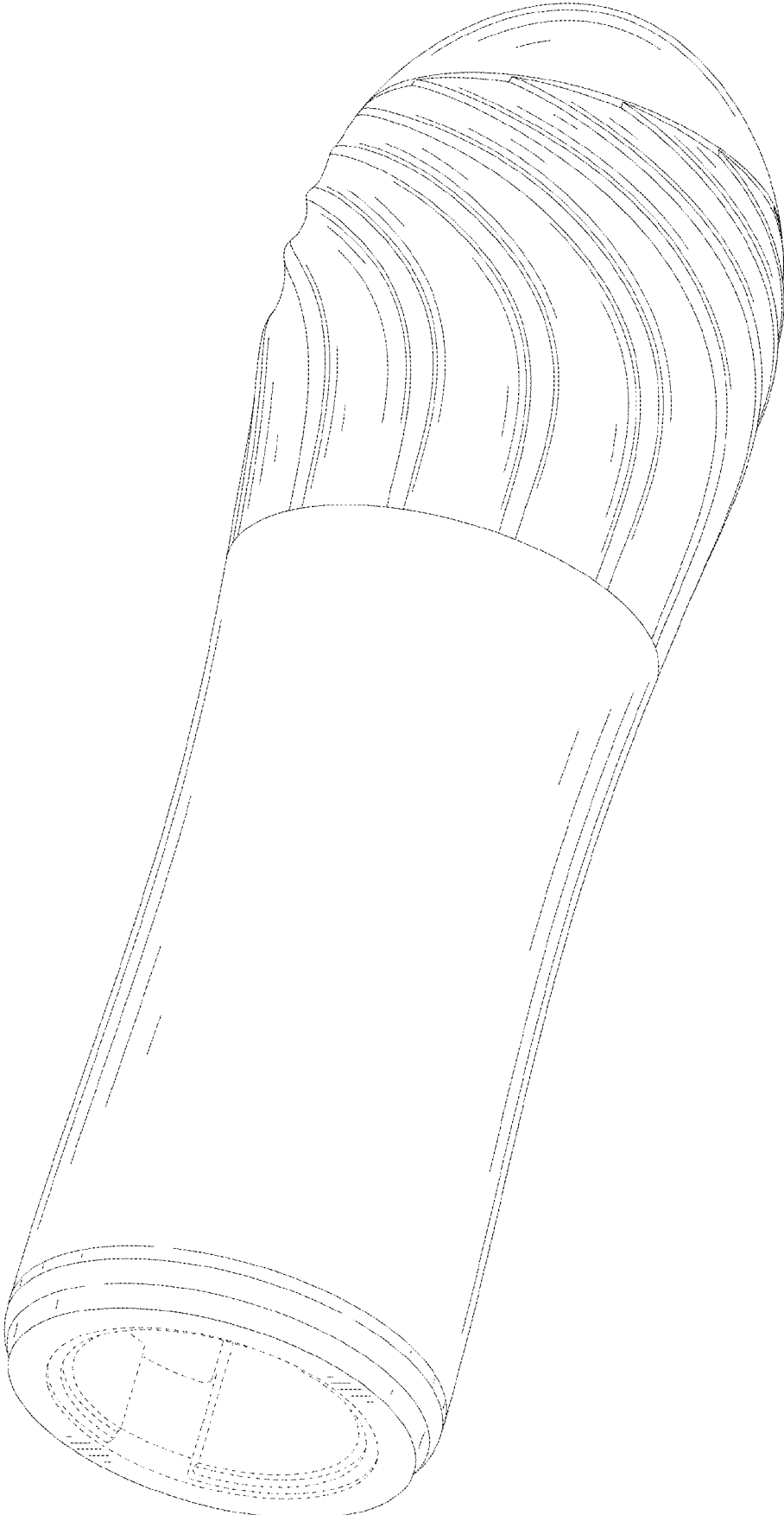


FIG. 2

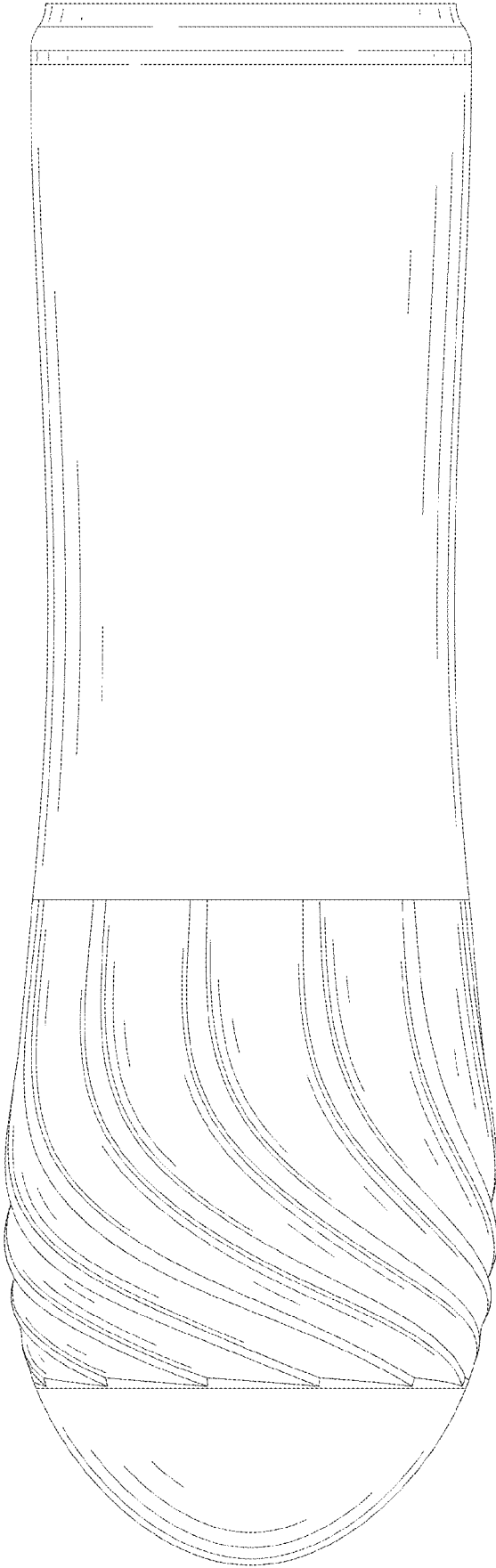


FIG. 3

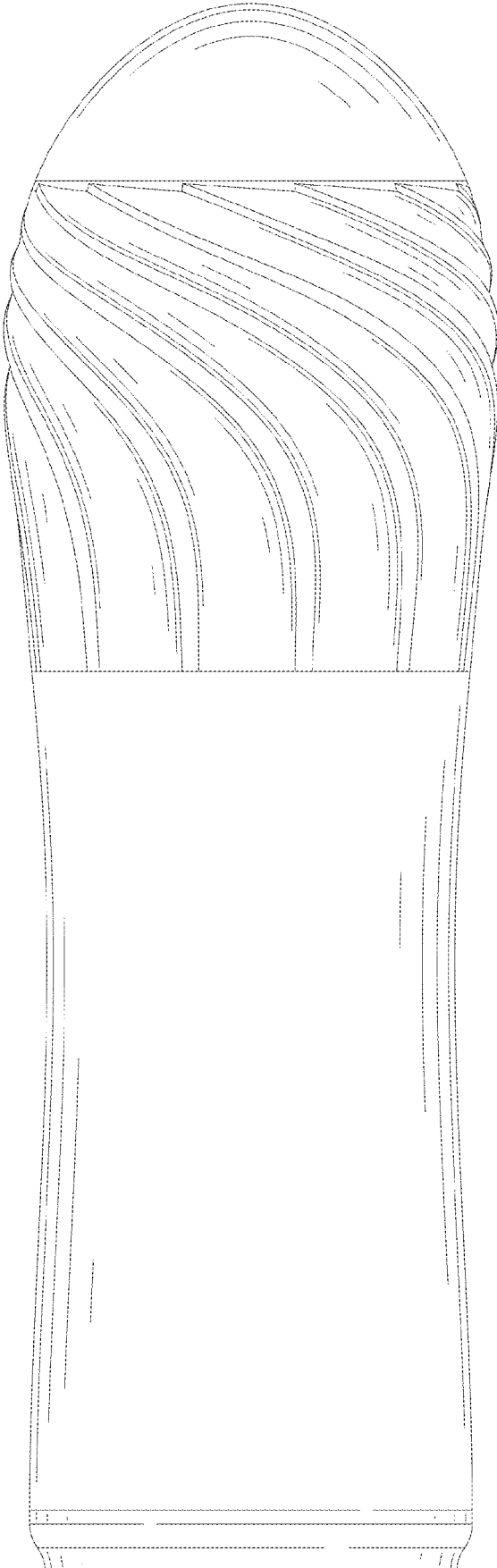


FIG. 4

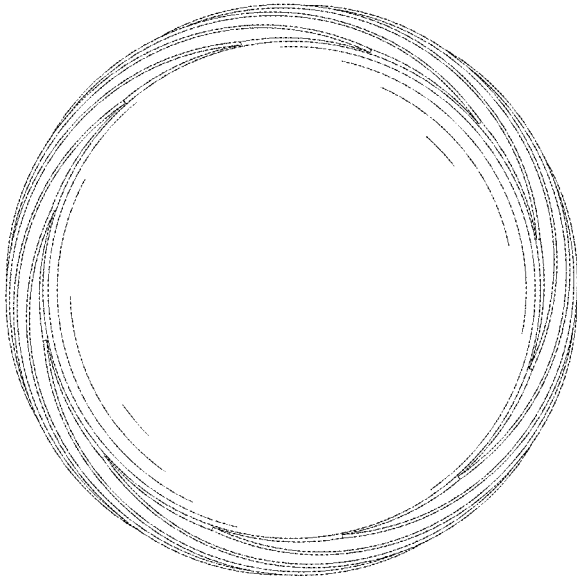


FIG. 5

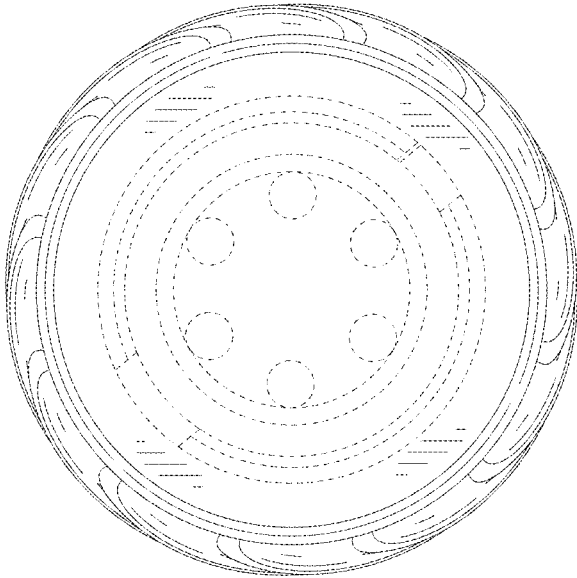


FIG. 6

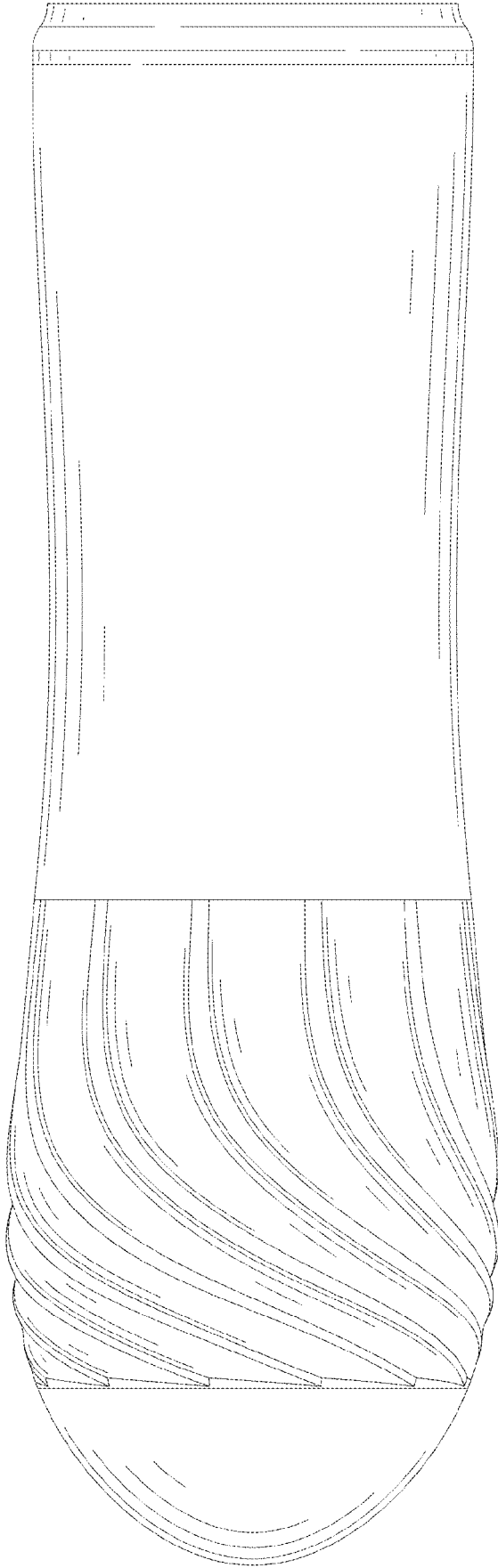


FIG. 7

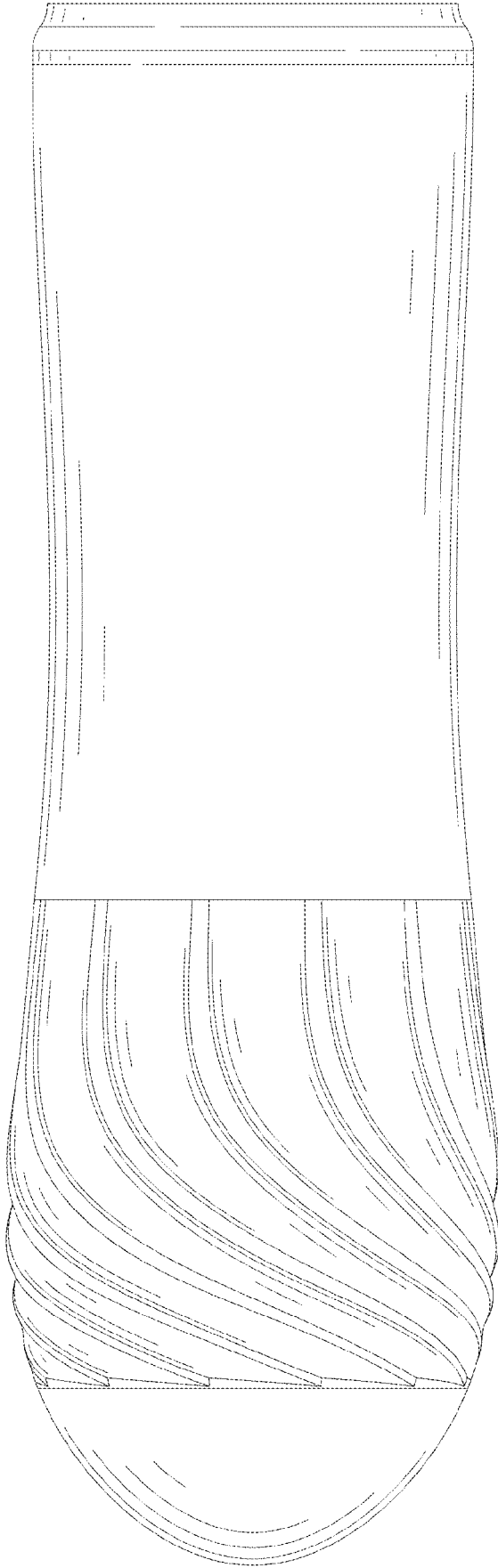


FIG. 8

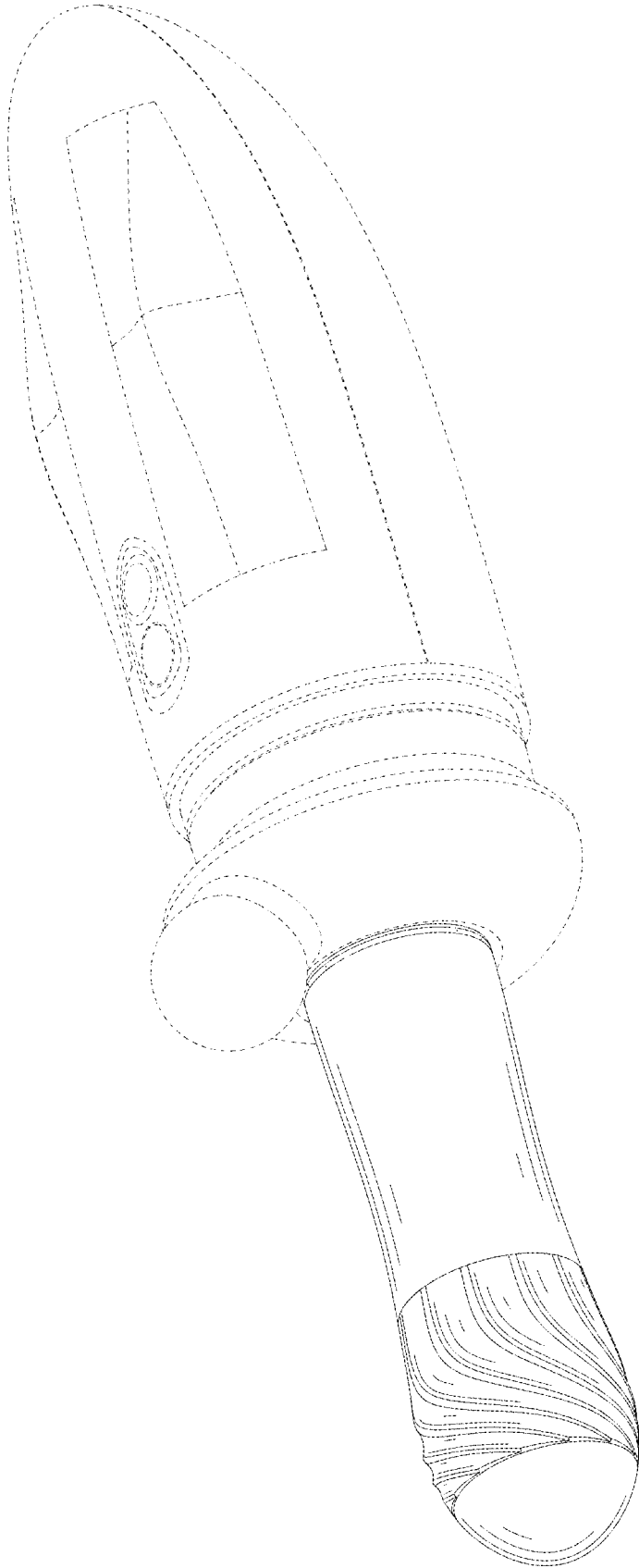


FIG. 9

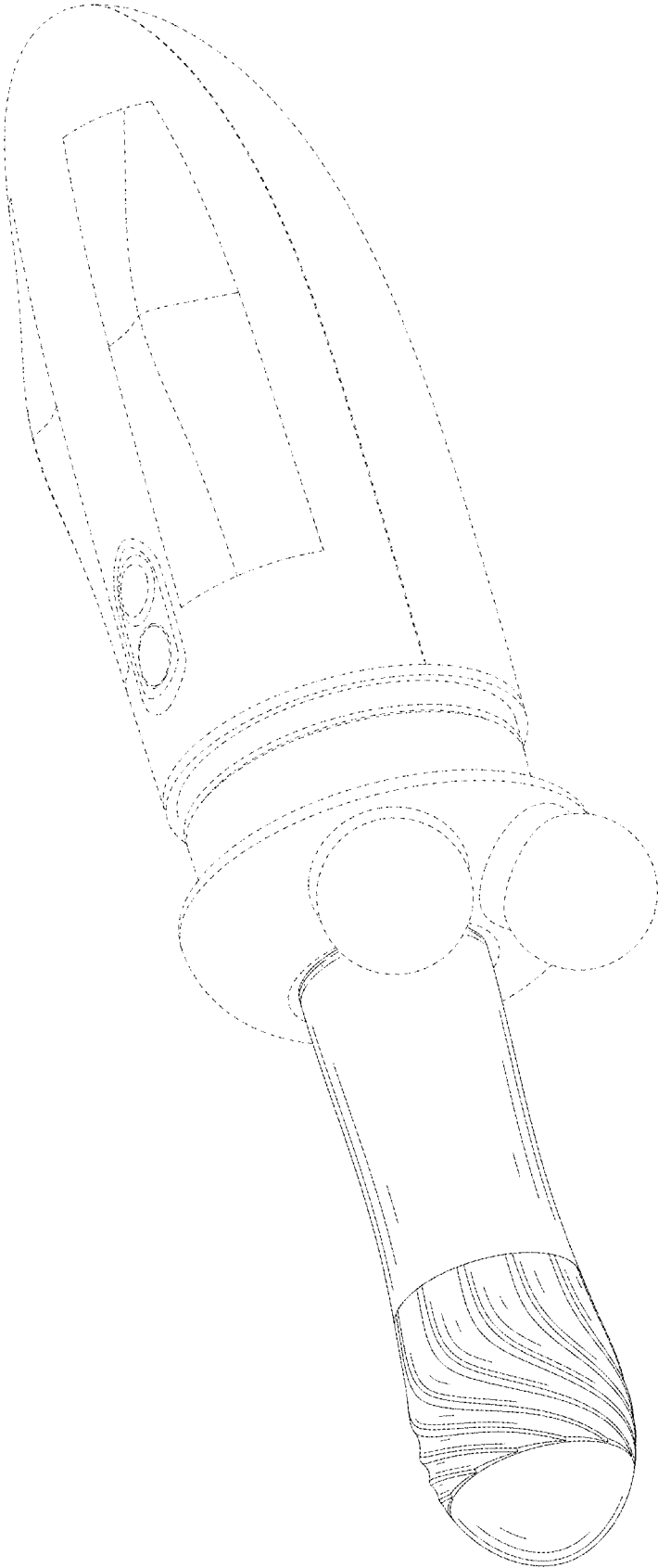


FIG. 10

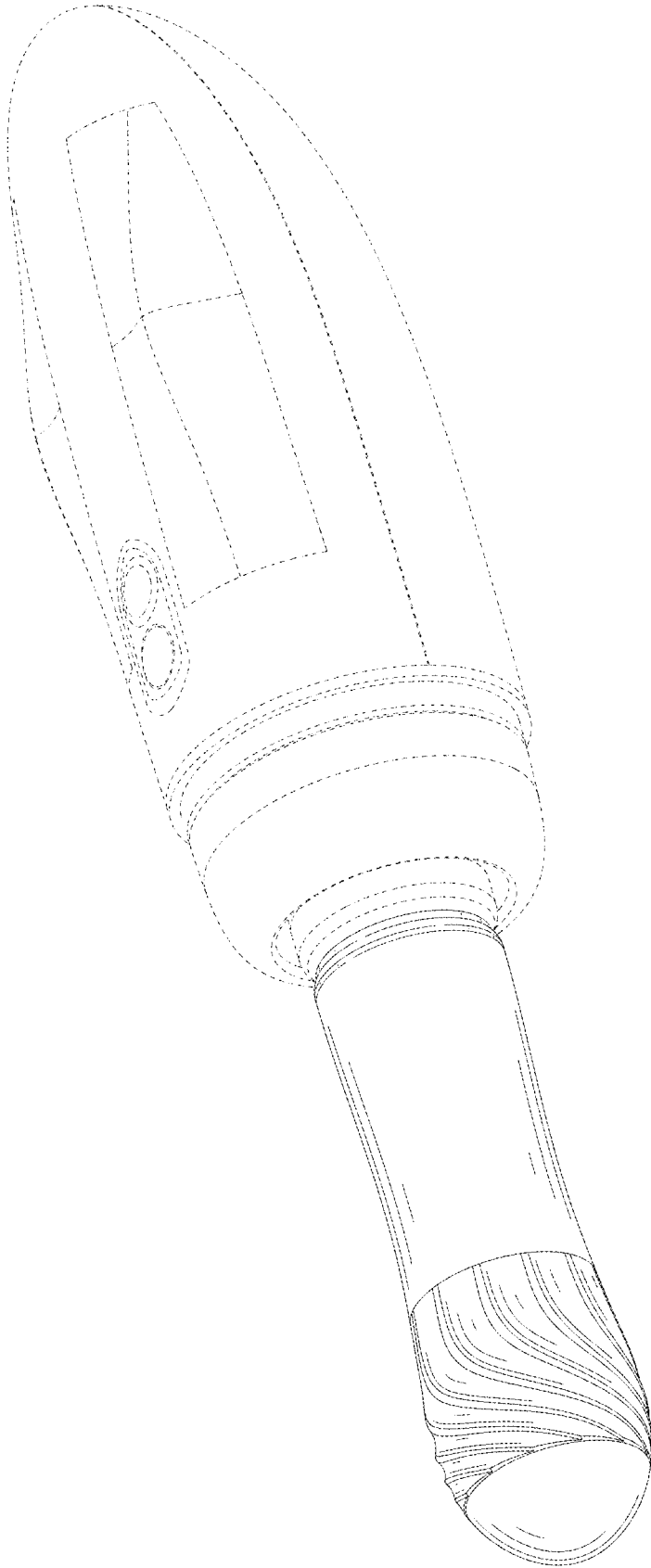


FIG. 11

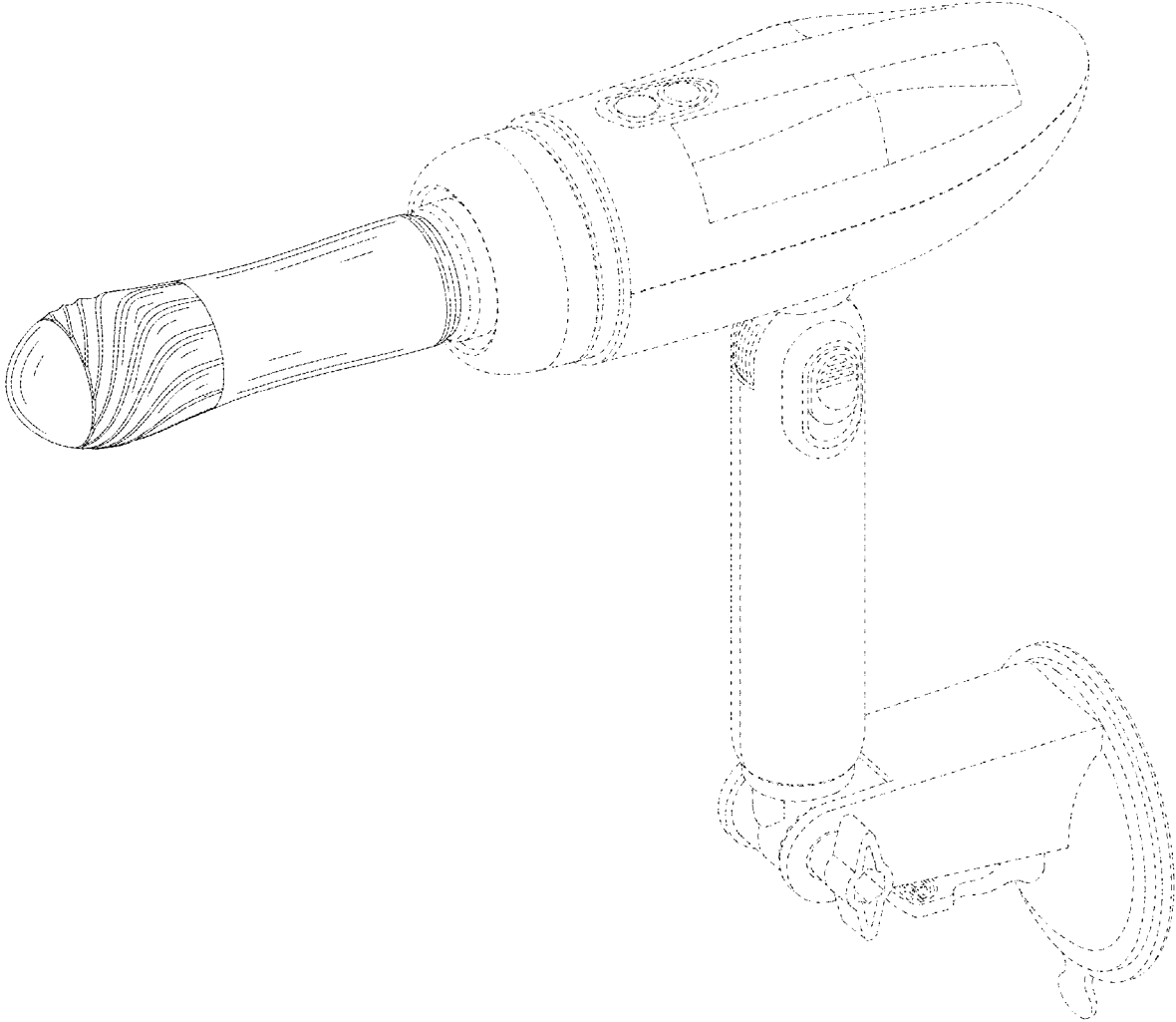


FIG. 12