



US00D737764S

(12) **United States Design Patent**
Janos et al.

(10) **Patent No.:** **US D737,764 S**

(45) **Date of Patent:** **** Sep. 1, 2015**

(54) **POWER SUPPLY ENCLOSURE**

(71) Applicant: **The L.D. Kichler Co.**, Cleveland, OH (US)

(72) Inventors: **Joseph John Janos**, Phoenix, AZ (US);
John Joseph Ascherl, Medina, OH (US)

(73) Assignee: **L.D. Kichler Co.**, Cleveland, OH (US)

(**) Term: **14 Years**

(21) Appl. No.: **29/471,684**

(22) Filed: **Nov. 4, 2013**

(51) **LOC (10) Cl.** **13-02**

(52) **U.S. Cl.**
USPC **D13/110**

(58) **Field of Classification Search**
USPC 361/730, 836; D13/101, 110, 112, 113,
D13/114, 115, 116, 118, 119, 122, 184,
D13/199; D3/201, 272, 276, 279, 294, 432,
D3/440; 363/1-178

See application file for complete search history.

(56) **References Cited**

U.S. PATENT DOCUMENTS

D310,509	S	*	9/1990	Fushiya et al.	D13/103
D312,244	S	*	11/1990	Collins et al.	D13/152
D412,398	S	*	8/1999	Watabe	D3/294
5,986,896	A	*	11/1999	Gibart et al.	363/16
6,262,496	B1	*	7/2001	Lamar et al.	307/117
D446,500	S	*	8/2001	Krieger et al.	D13/110
D458,127	S	*	6/2002	de Groote	D9/423
D493,772	S	*	8/2004	Veino et al.	D13/110
7,255,597	B2	*	8/2007	Nakamura et al.	439/573
D552,541	S	*	10/2007	Gossett	D13/116
D557,203	S	*	12/2007	Grunow et al.	D13/103

D562,229	S	*	2/2008	Peters	D13/103
D572,480	S	*	7/2008	Buck et al.	D3/294
7,672,116	B2	*	3/2010	Li et al.	361/641
D620,885	S	*	8/2010	Donth	D13/110
D691,803	S	*	10/2013	Chen	D3/294
D701,490	S	*	3/2014	Inskeep	D13/110
D703,617	S	*	4/2014	Janky et al.	D13/154
D705,164	S	*	5/2014	Tsai	D13/112
2009/0067191	A1	*	3/2009	Faber et al.	362/580
2011/0170239	A1	*	7/2011	Nelson et al.	361/623
2012/0196304	A1	*	8/2012	Dees et al.	435/7.92
2014/0249684	A1	*	9/2014	Nickerson et al.	700/284

* cited by examiner

Primary Examiner — Derrick Holland

Assistant Examiner — Jennifer O King

(74) *Attorney, Agent, or Firm* — Calfee Halter & Griswold, LLP

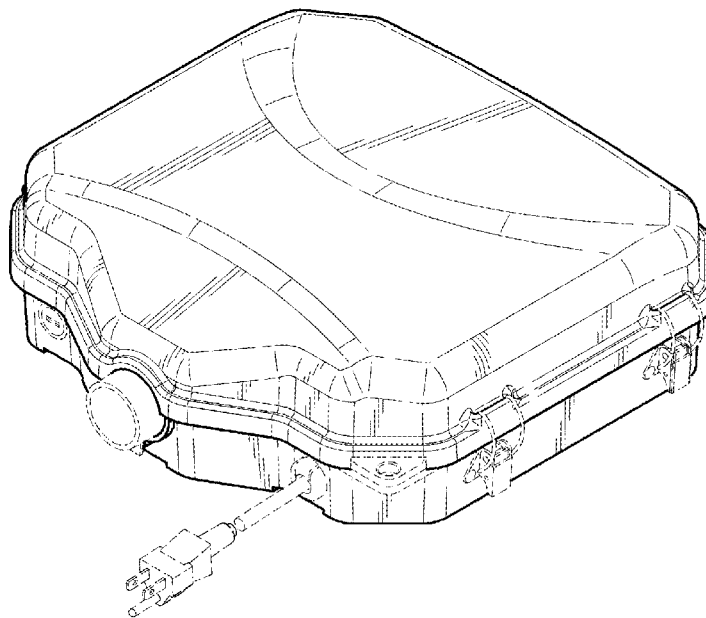
(57) **CLAIM**

We claim the ornamental design for a power supply enclosure, as shown and described.

DESCRIPTION

FIG. 1 is a top view of a power supply enclosure;
FIG. 2 is a bottom view thereof;
FIG. 3 is a front/left/top perspective view thereof;
FIG. 4 is a front/right/top perspective view thereof;
FIG. 5 is a front/right/bottom perspective view thereof;
FIG. 6 is a front/left/bottom perspective view thereof;
FIG. 7 is a left side view thereof;
FIG. 8 is a right side view thereof;
FIG. 9 is a front view thereof; and,
FIG. 10 is a rear view thereof.
The broken lines shown represent unclaimed subject matter and form no part of the claimed design.

1 Claim, 6 Drawing Sheets



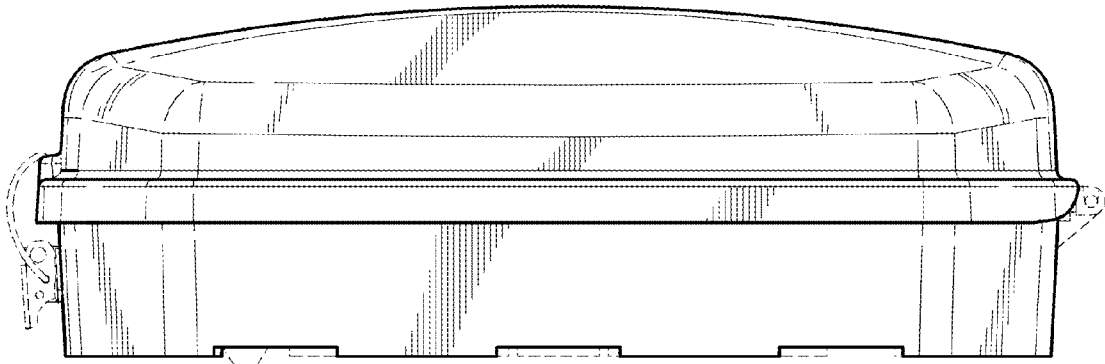


FIG. 1

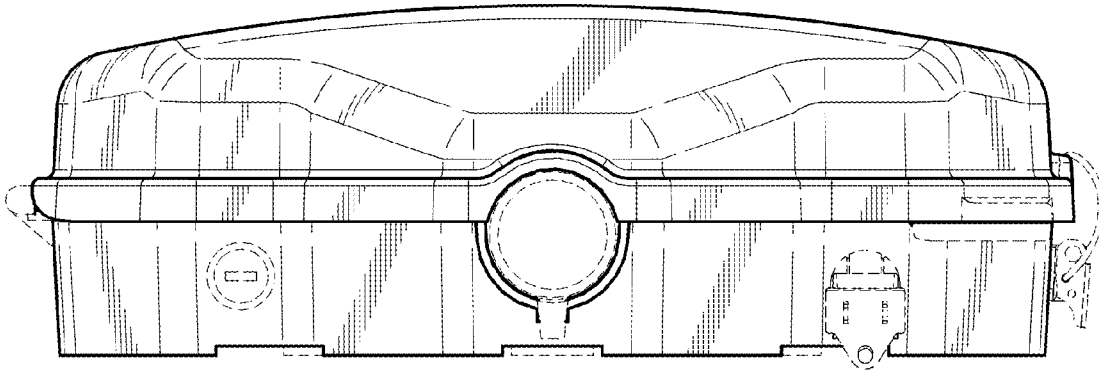


FIG. 2

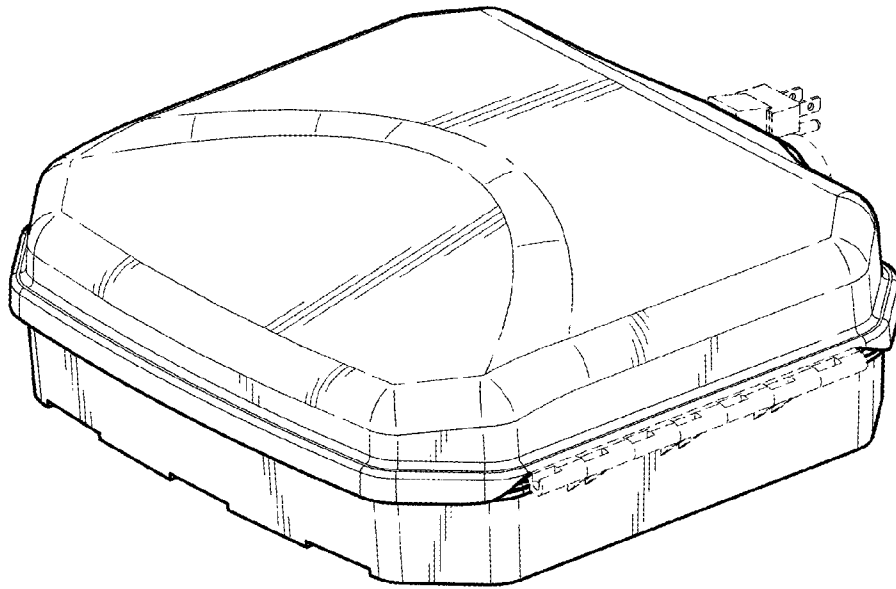


FIG. 3

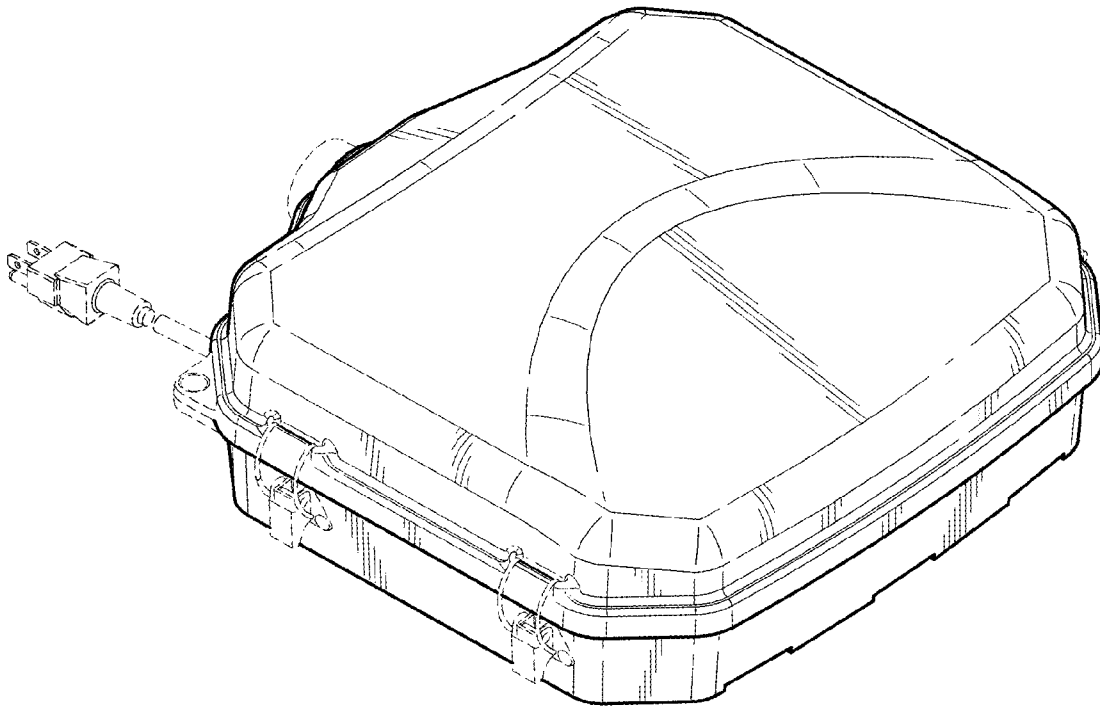


FIG. 4

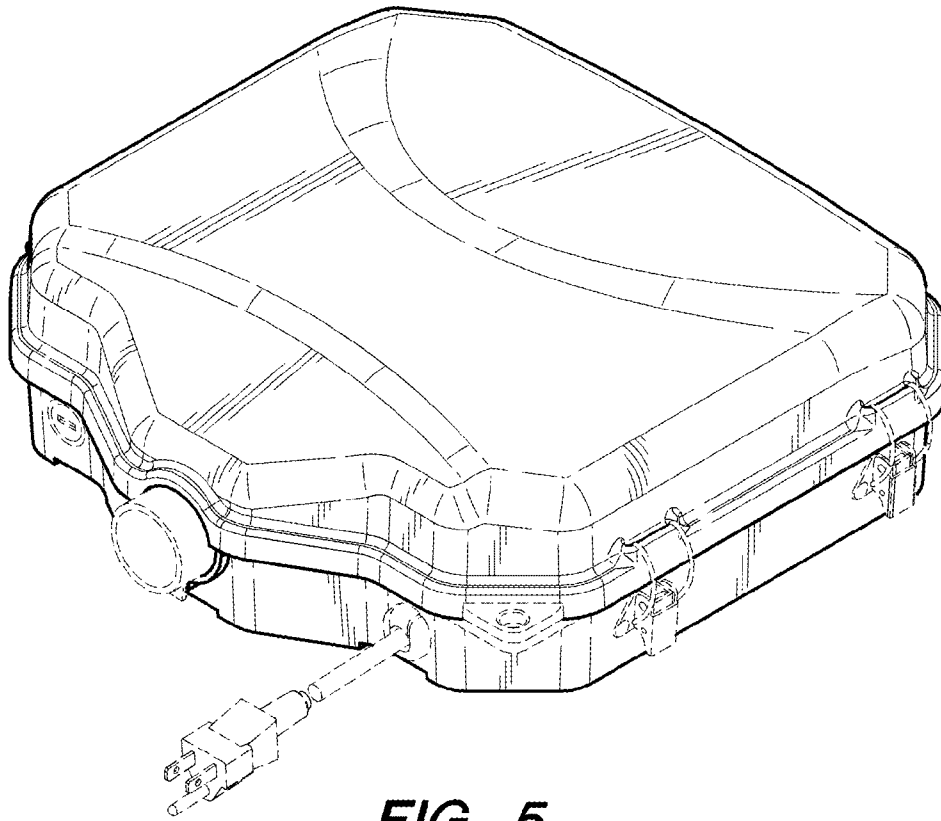


FIG. 5

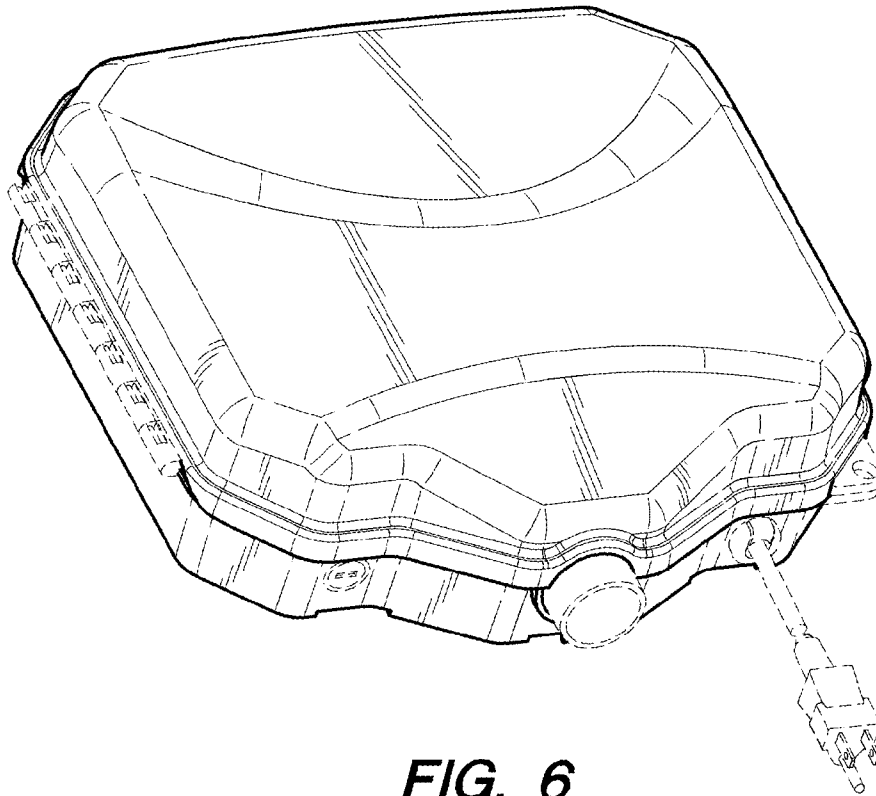


FIG. 6

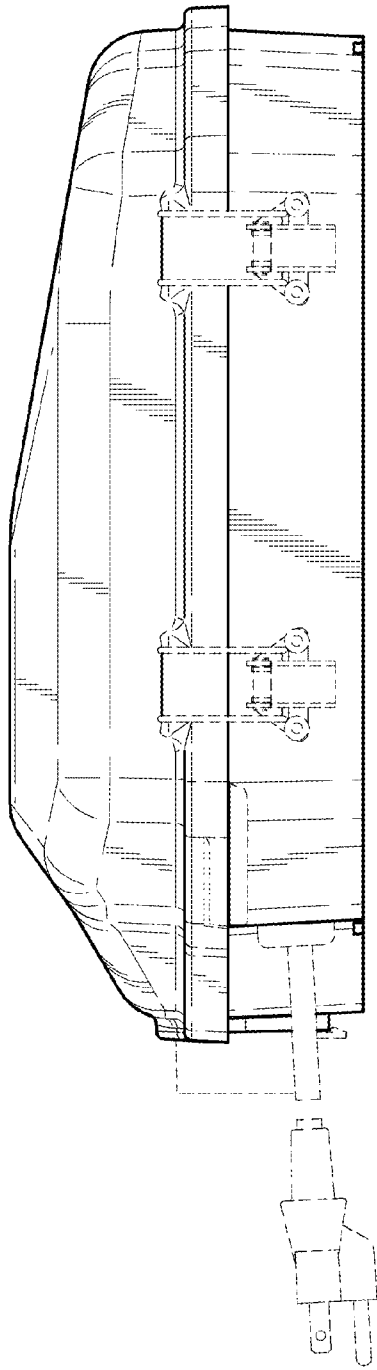


FIG. 7

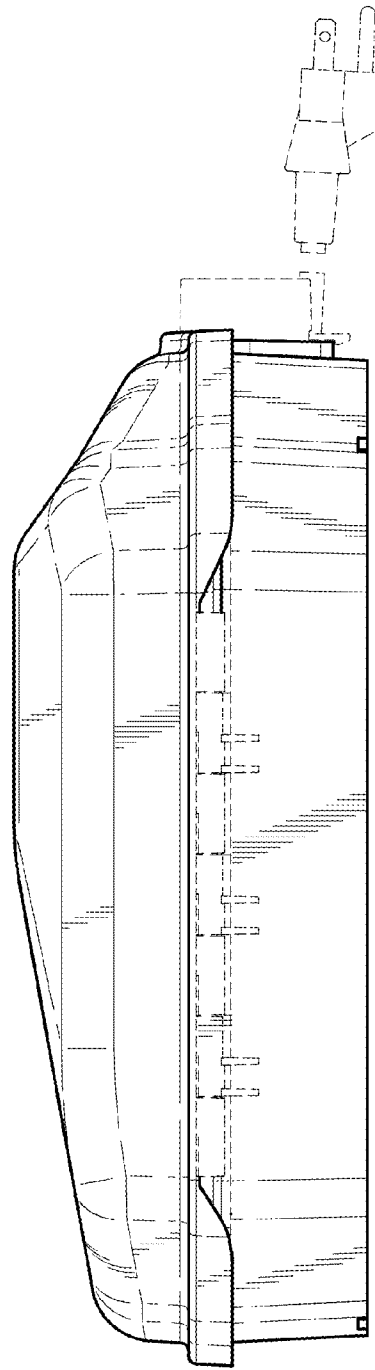


FIG. 8

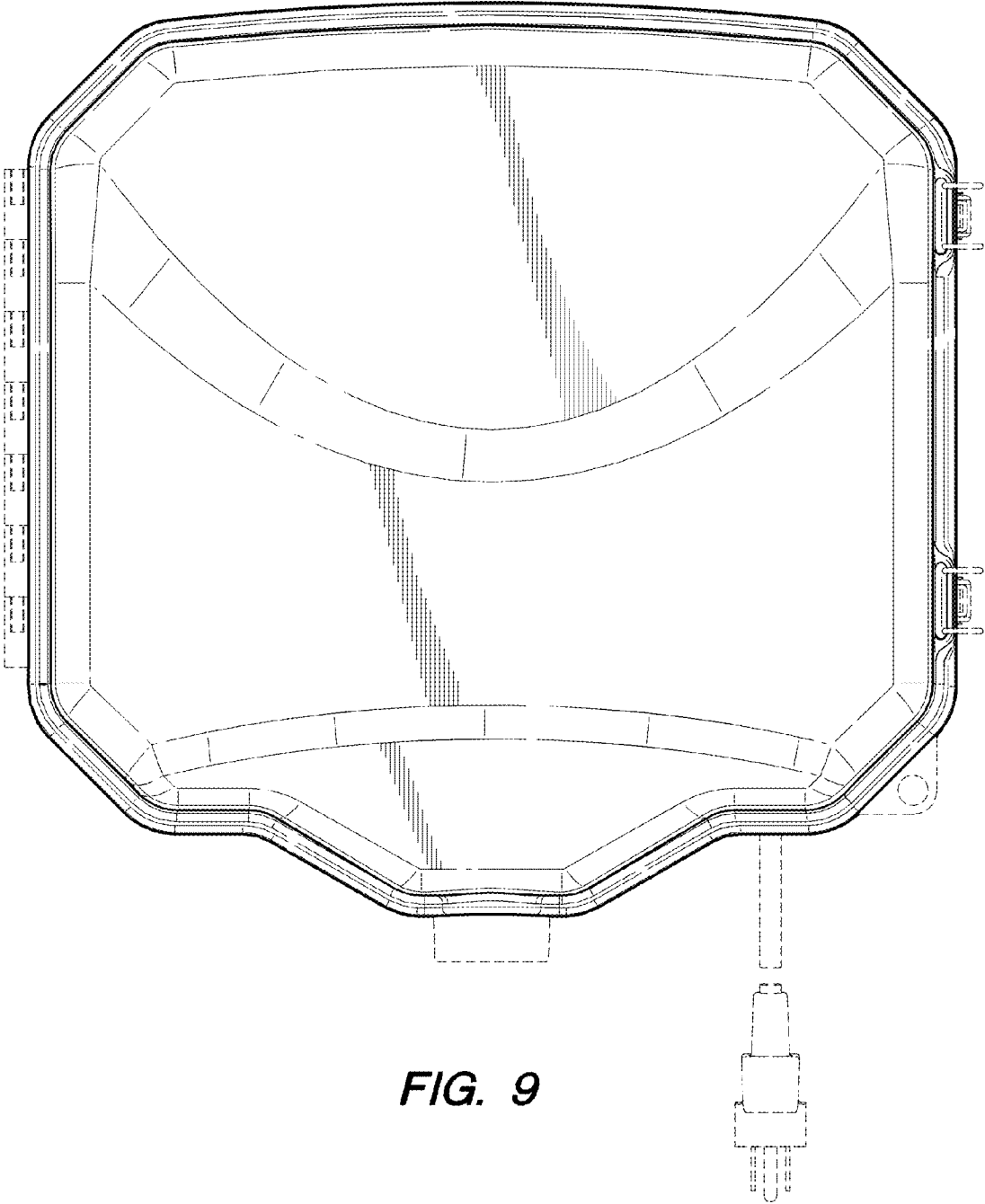


FIG. 9

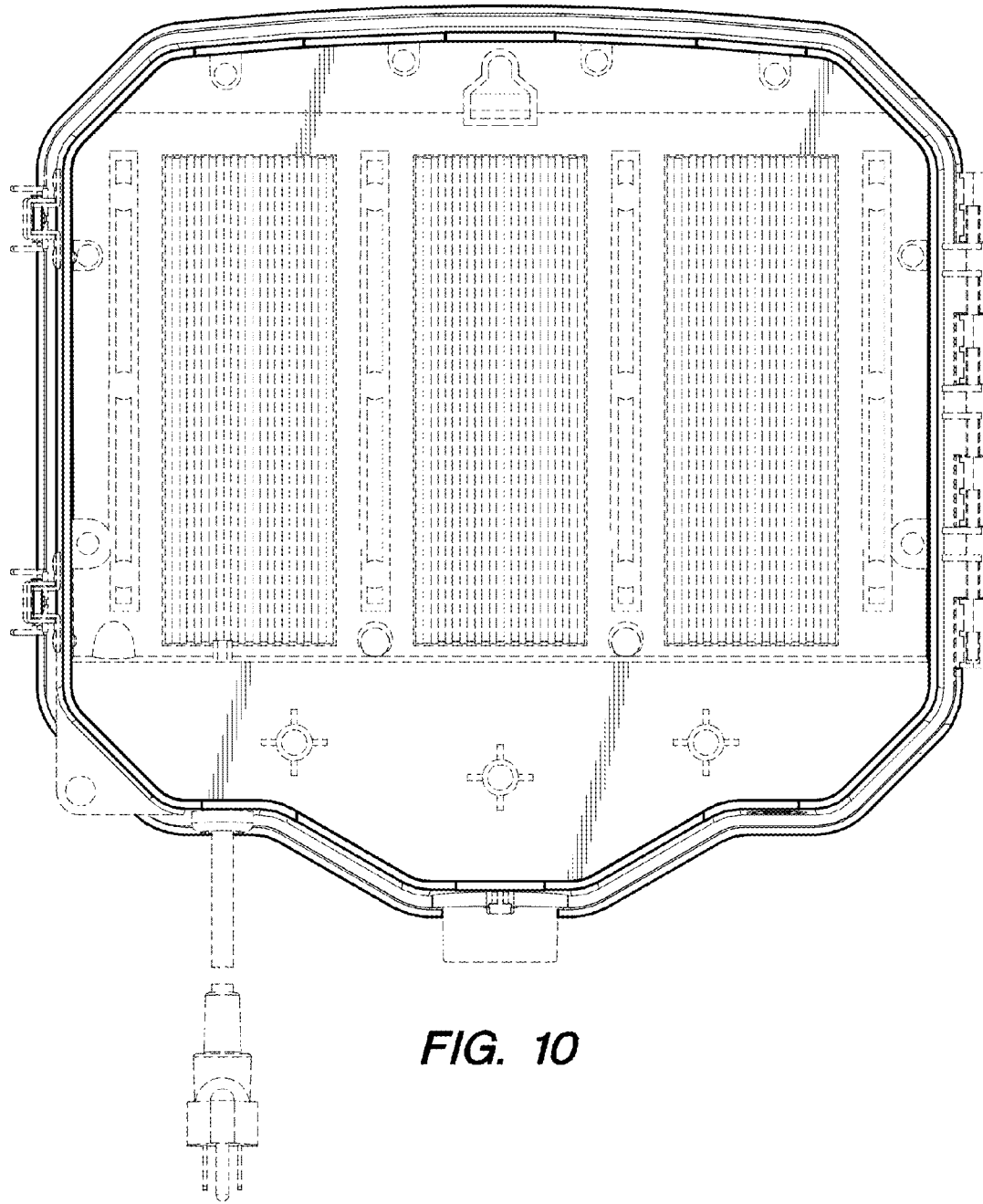


FIG. 10