



US0D1027268S

(12) **United States Design Patent**
Wen

(10) **Patent No.:** **US D1,027,268 S**

(45) **Date of Patent:** **** May 14, 2024**

(54) **PENDENT LIGHT**

D927,761 S * 8/2021 Ricci D26/88
D945,686 S * 3/2022 Coombes D26/88
D1,001,339 S * 10/2023 Berger F21V 3/049
D26/88

(71) Applicant: **SHENZHEN LIANYITONG ELECTRONIC COMMERCE CO., LTD.**, Shenzhen (CN)

(72) Inventor: **Xiaoli Wen**, Lvliang (CN)

(73) Assignee: **SHENZHEN LIANYITONG ELECTRONIC COMMERCE CO., LTD.**, Shenzhen (CN)

(**) Term: **15 Years**

(21) Appl. No.: **29/846,701**

(22) Filed: **Jul. 19, 2022**

(51) **LOC (14) Cl.** **26-05**

(52) **U.S. Cl.**
USPC **D26/88**

(58) **Field of Classification Search**
USPC D26/72, 81-88, 118, 134, 135
CPC F21S 8/03; F21S 8/04; F21S 8/043; F21S 8/046; F21S 8/06; F21S 8/061; F21S 8/063; F21S 8/065

See application file for complete search history.

(56) **References Cited**

U.S. PATENT DOCUMENTS

D271,241 S *	11/1983	Vrignaud	D26/104
D280,242 S *	8/1985	Burket	D26/9
D307,641 S *	5/1990	De'Armond	D26/136
D556,361 S *	11/2007	Arbel	D26/88
D751,235 S *	3/2016	Sonneman	D26/88
D791,396 S *	7/2017	Yang	D26/118
D800,944 S *	10/2017	Sonneman	D26/88
D810,990 S *	2/2018	Sempe	D26/88
D819,869 S *	6/2018	Tosetto	D26/88
D889,725 S *	7/2020	Roth	D26/88

OTHER PUBLICATIONS

Maytoni Lumina pendulum available at lightshop.com. Site visited Jan. 12, 2024. <<https://www.lightshop.com/lamps/ceiling-lamps/ceiling-pendants/lumina-pendulum-0/?option=48785>>. (Year: 2024).*
Besa Kristall 6" Wide Satin Nickel Smoke Glass Mini Pendant, Style # 4C192. Available at lampsplus.com as early as Feb. 23, 2022. (Year: 2022).*
Hudson Valley Lighting Bay Ridge 1 Light Large Pendant In Polished Nickel Model No. 2717-PN. Available at lighttrends.com. Site visited Jan. 12, 2024. (Year: 2024).*

* cited by examiner

Primary Examiner — Clare E Heflin

(74) *Attorney, Agent, or Firm* — Daniel M. Cohn; Howard M. Cohn

(57) **CLAIM**

The ornamental design for a pendent light, as shown and described.

DESCRIPTION

FIG. 1 is a perspective view of a pendent light showing my new design;

FIG. 2 is another perspective view thereof;

FIG. 3 is a front elevational view thereof;

FIG. 4 is a rear elevational view thereof;

FIG. 5 is a left side elevational view thereof;

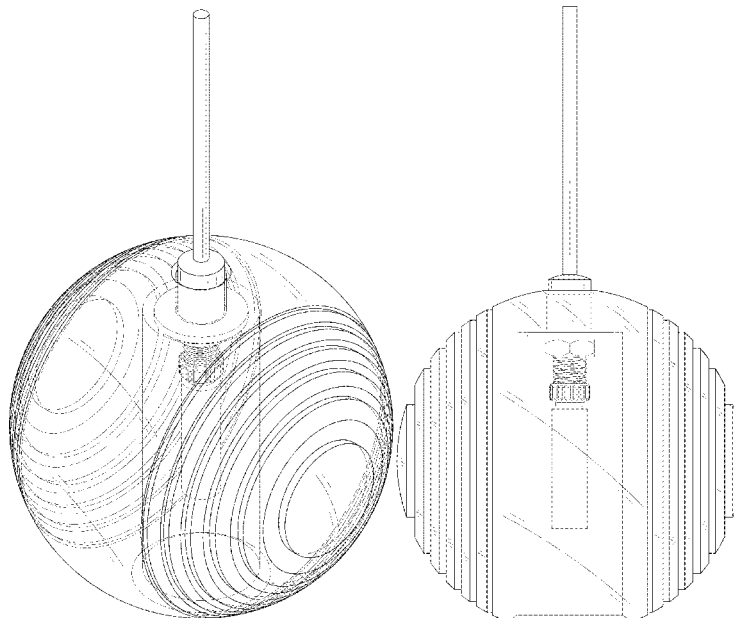
FIG. 6 is a right side elevational view thereof;

FIG. 7 is a top plan view thereof; and,

FIG. 8 is a bottom plan view thereof.

The broken lines in the drawings depict portions of the pendent light that form no part of the claimed design.

1 Claim, 8 Drawing Sheets



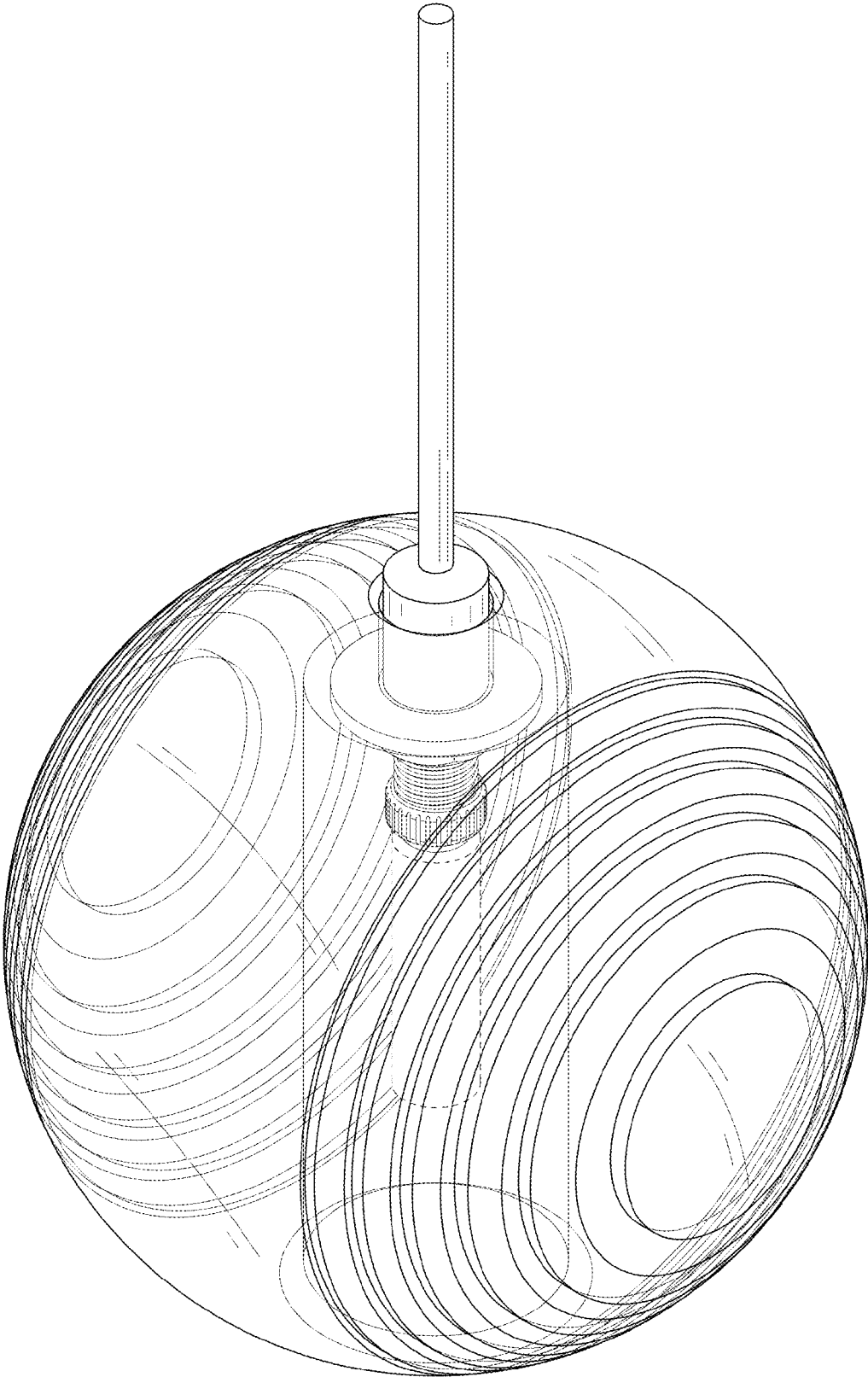


FIG. 1

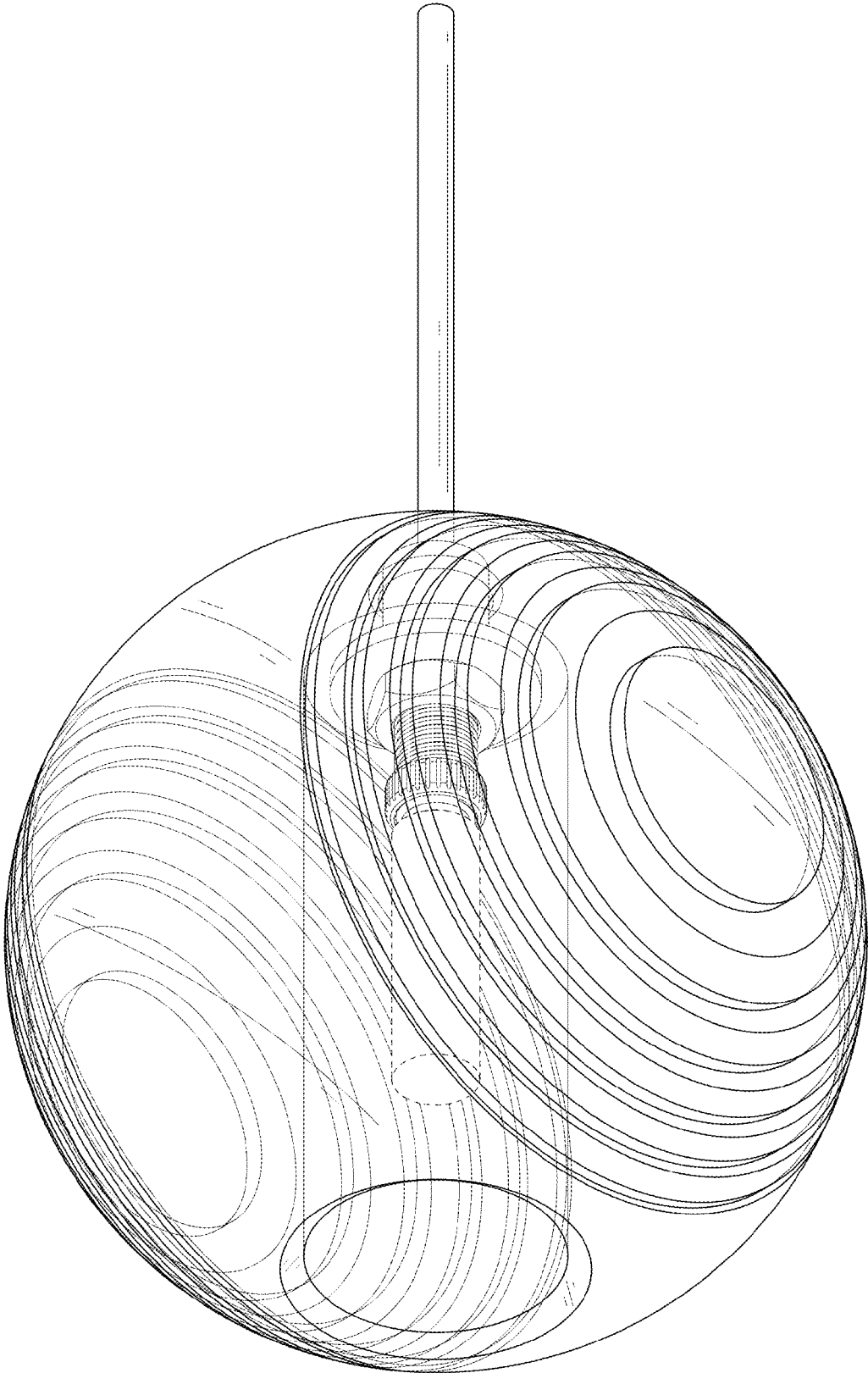


FIG. 2

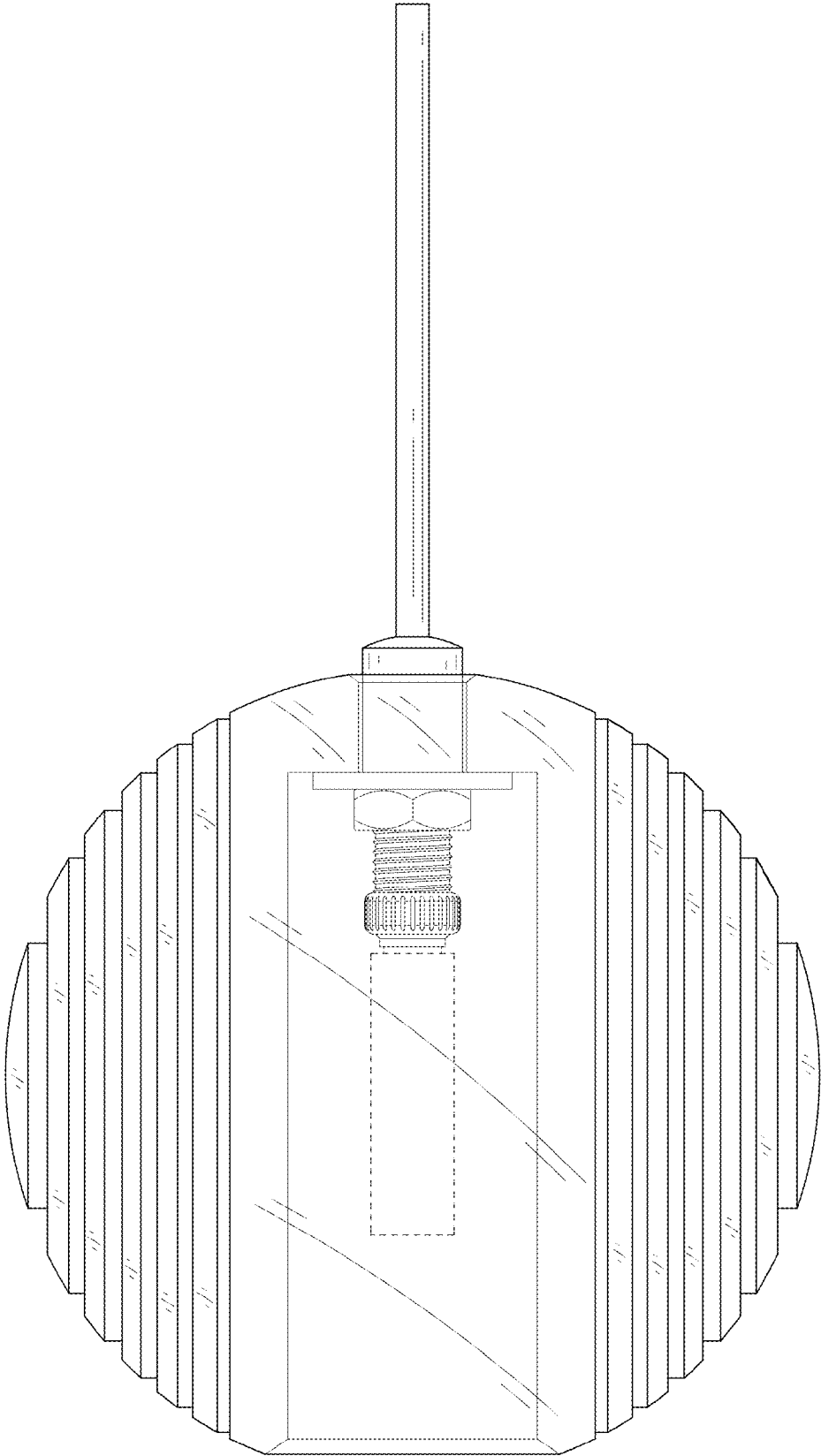


FIG. 3

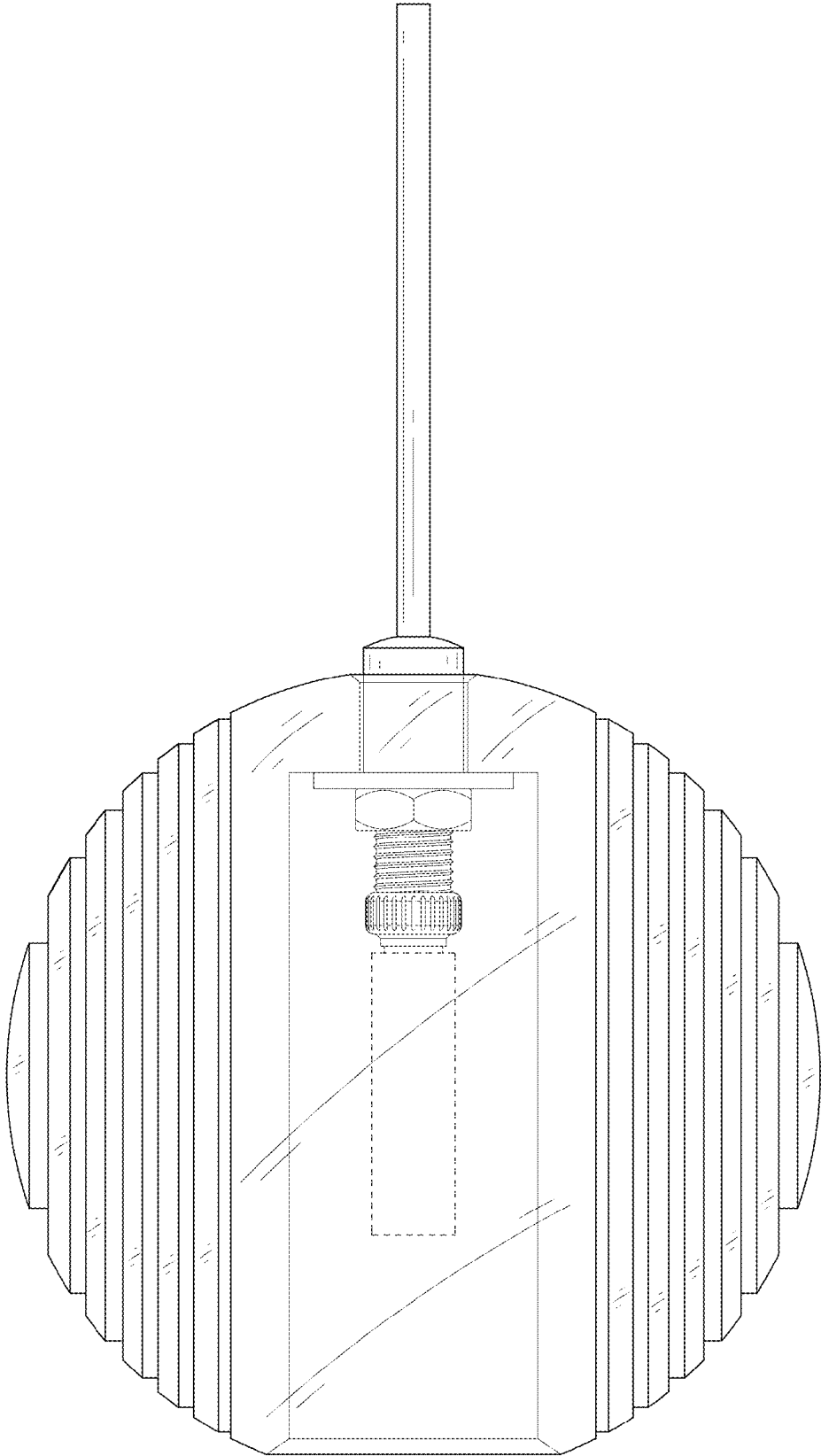


FIG. 4

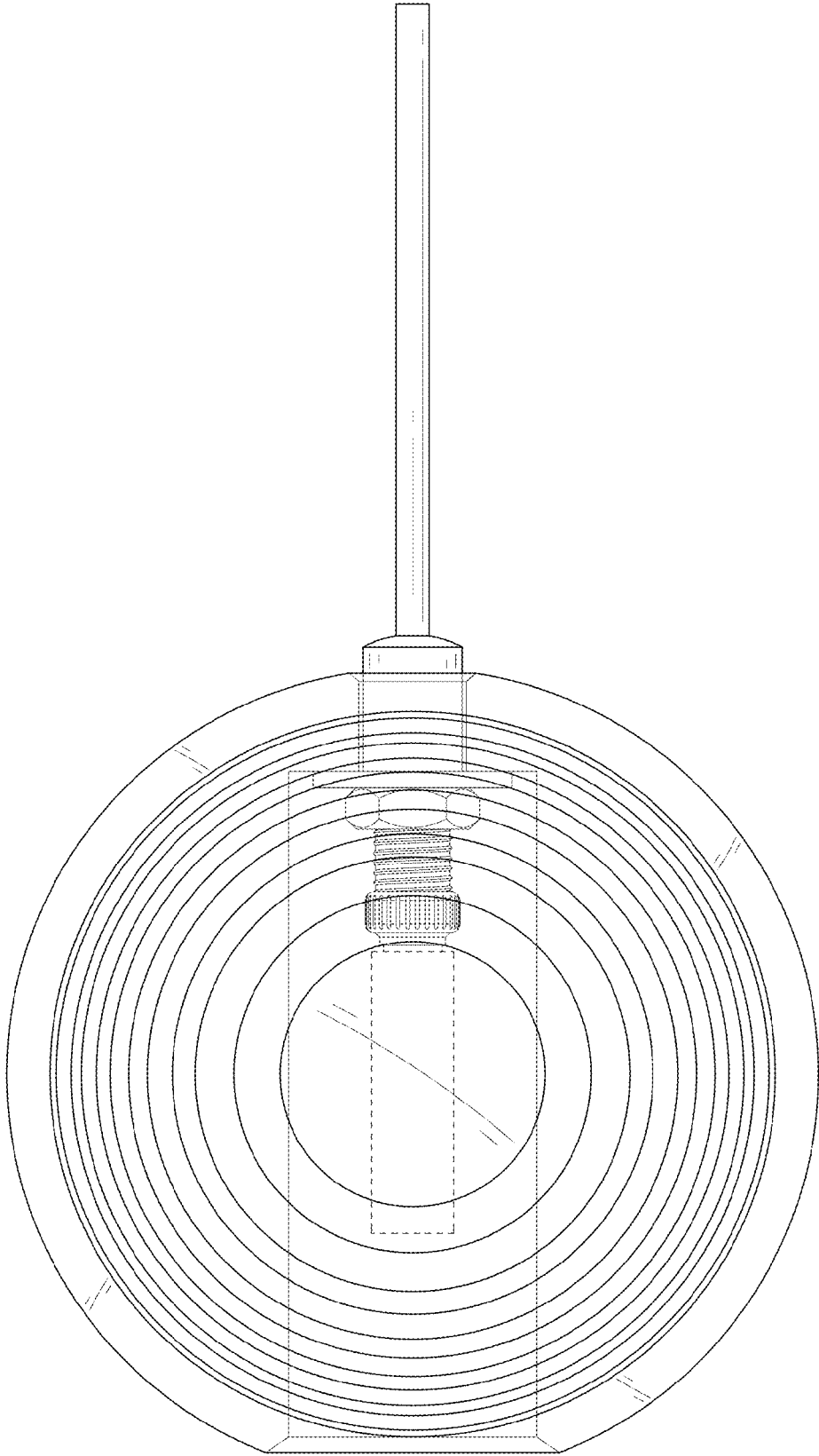


FIG. 5

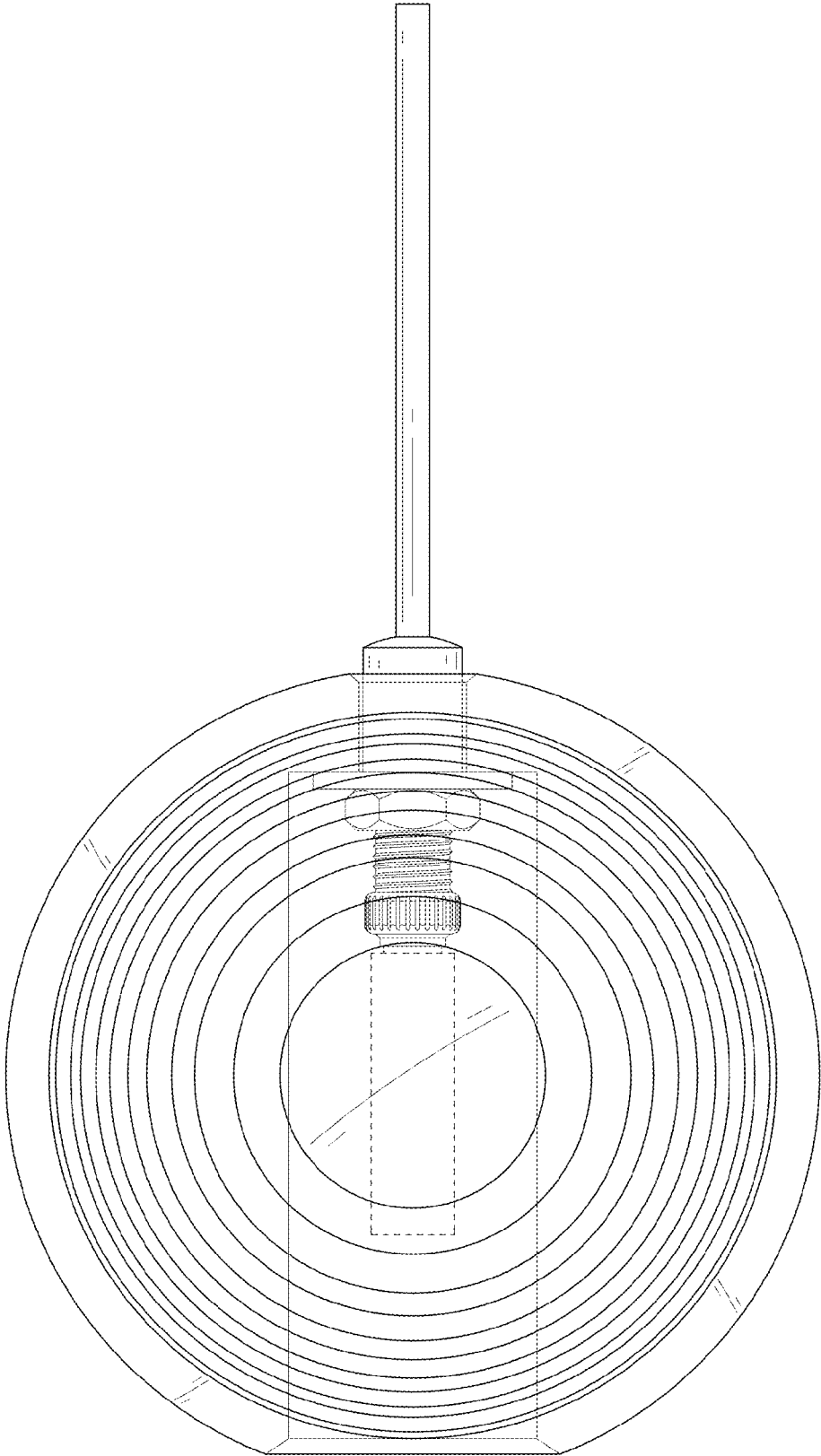


FIG. 6

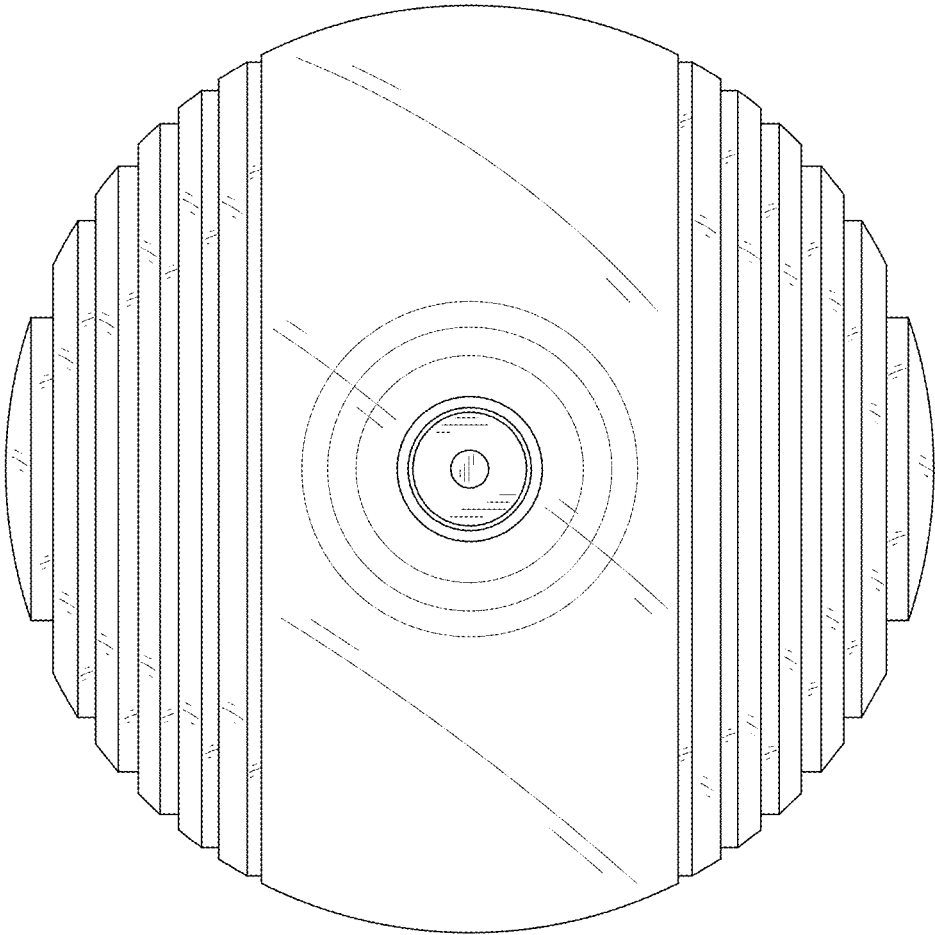


FIG. 7

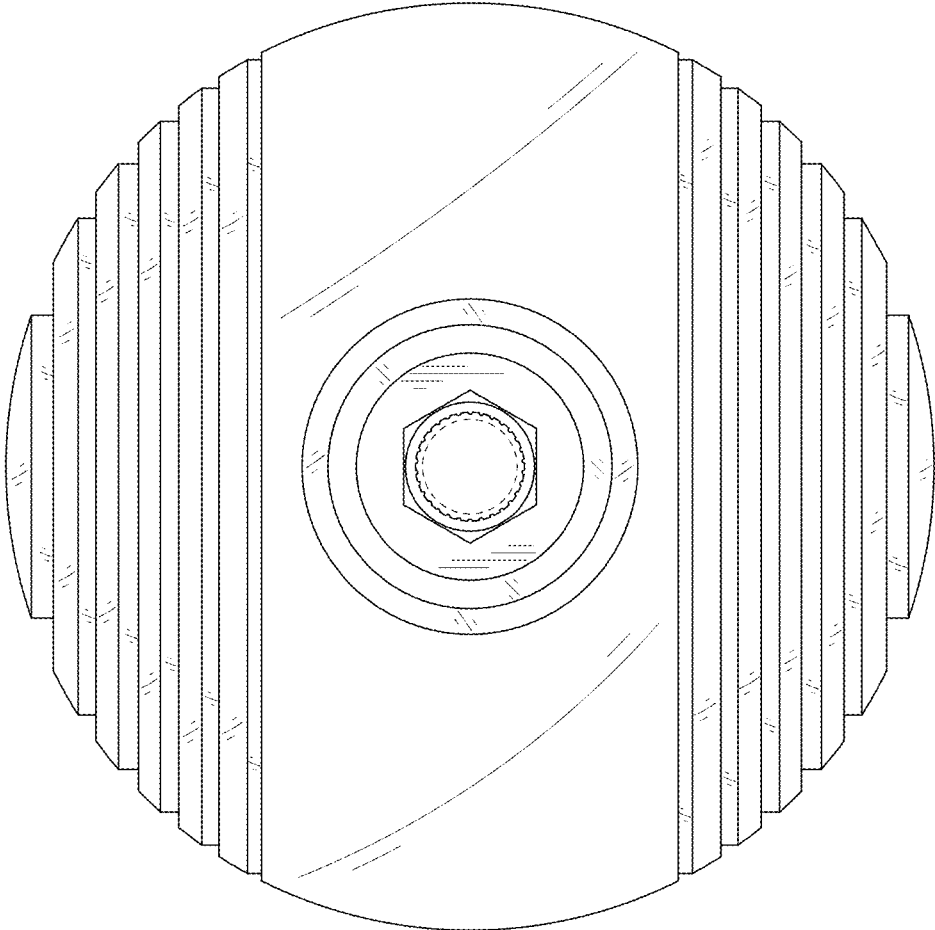


FIG. 8