



US00D952489S

(12) **United States Design Patent**  
**Lisiak**

(10) **Patent No.:** **US D952,489 S**

(45) **Date of Patent:** **\*\* May 24, 2022**

(54) **LINEAR FORCE SENSOR**

(57) **CLAIM**

(71) Applicant: **FUTEK Advanced Sensor Technology,**  
Irvine, CA (US)

The ornamental design for a linear force sensor, substantially as shown and described.

(72) Inventor: **Maciej Lisiak,** San Clemente, CA (US)

(73) Assignee: **FUTEK ADVANCED SENSOR TECHNOLOGY,** Irvine, CA (US)

(\*\*) Term: **15 Years**

(21) Appl. No.: **29/709,464**

(22) Filed: **Oct. 15, 2019**

(51) **LOC (13) Cl.** ..... **10-04**

(52) **U.S. Cl.**

USPC ..... **D10/83**

(58) **Field of Classification Search**

USPC ..... D10/83, 84, 85

CPC ..... G01L 5/108

See application file for complete search history.

(56) **References Cited**

**U.S. PATENT DOCUMENTS**

2021/0181048 A1\* 6/2021 Lisiak ..... G01L 5/108

\* cited by examiner

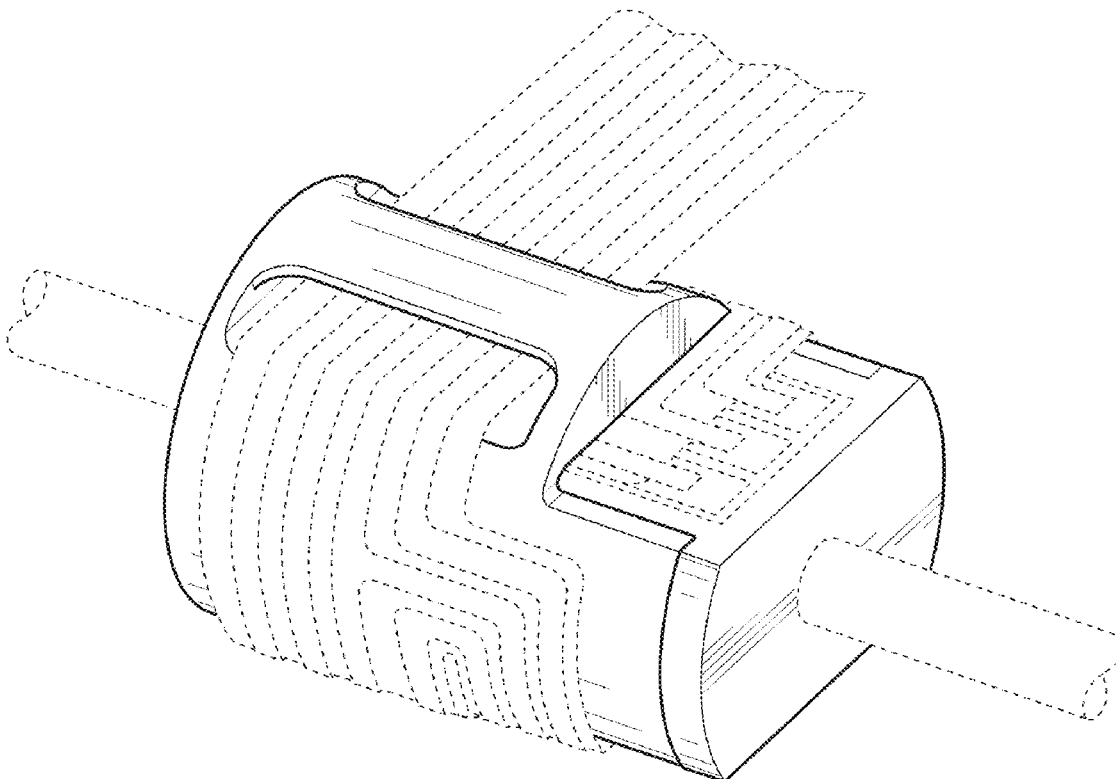
*Primary Examiner* — Antoine Duval Davis

(74) *Attorney, Agent, or Firm* — Young Basile Hanlon & MacFarlane, P.C.

**DESCRIPTION**

FIG. 1 is a perspective view of the linear force sensor showing a wrap-around lead carrier in dashed lines; FIG. 2 is top view of the linear force sensor showing the wrap-around lead carrier in dashed lines; FIG. 3 is a bottom view of the linear force sensor of FIG. 1 showing the wrap-around lead carrier in dashed lines; FIG. 4 is a side view of the linear force sensor of FIG. 1 showing the wrap-around lead carrier in dashed lines; FIG. 5 is an opposite side view of the linear force sensor of FIG. 1 showing the wrap-around lead carrier in dashed lines; FIG. 6 is an end view of the linear force sensor of FIG. 1 showing the wrap-around lead carrier in dashed lines; FIG. 7 is an opposite end view of the linear force sensor of FIG. 1 showing the wrap-around lead carrier in dashed lines; FIG. 8 is a perspective view of the linear force sensor without the wrap-around lead carrier; FIG. 9 is a top view of the force sensor of FIG. 8; FIG. 10 is a bottom view of the force sensor of FIG. 8; FIG. 11 is first side view of the force sensor of FIG. 8; FIG. 12 is second side view of the force sensor of FIG. 8; FIG. 13 is an end view of the force sensor of FIG. 8; and, FIG. 14 is an opposite end view of the force sensor of FIG. 8.

**1 Claim, 4 Drawing Sheets**



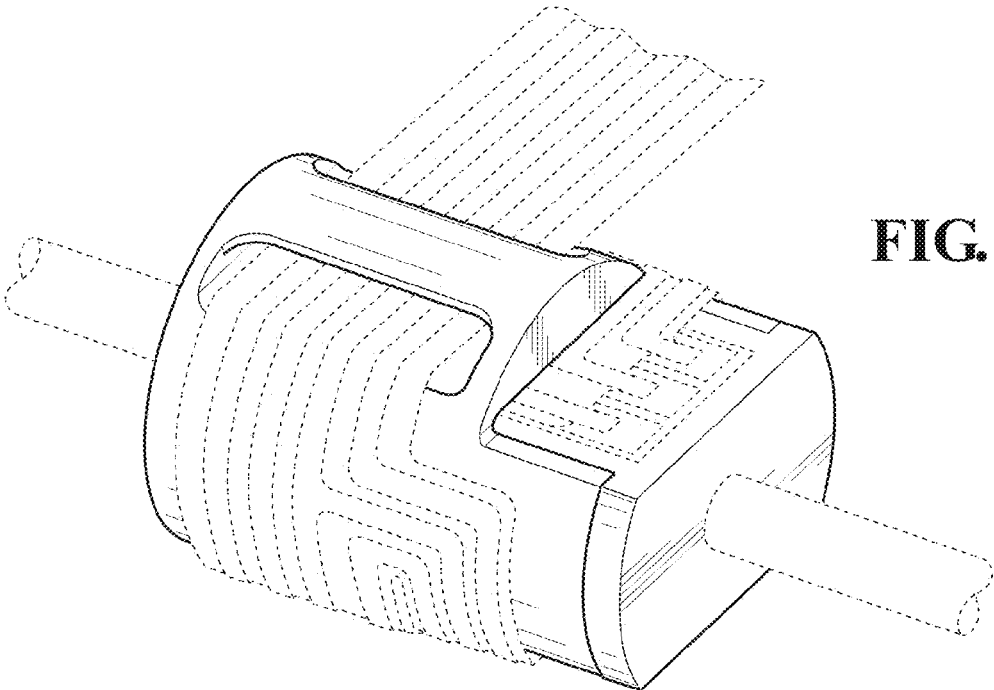


FIG. 1

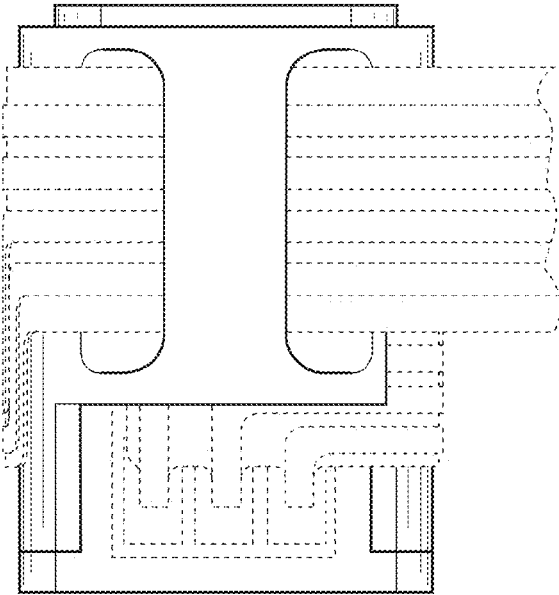


FIG. 2

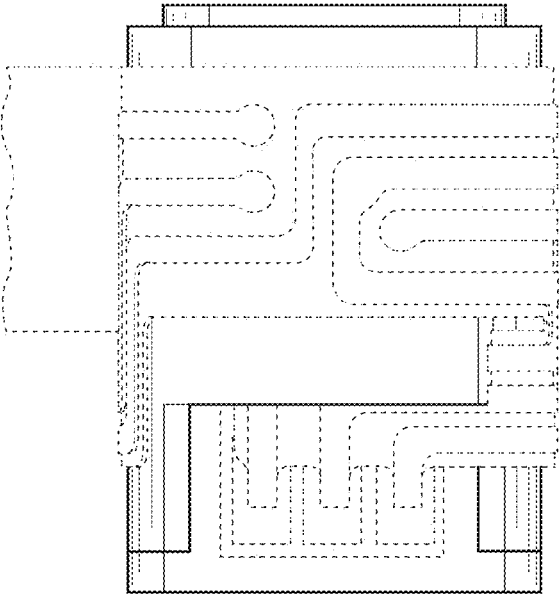
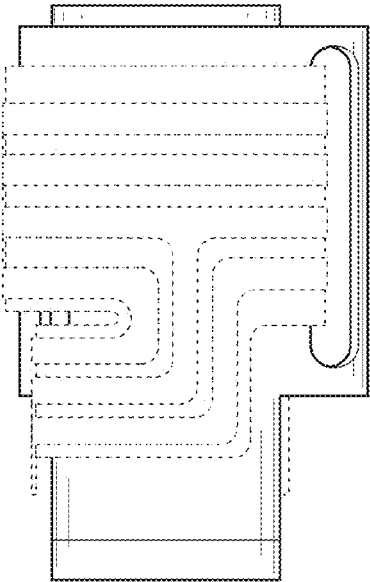
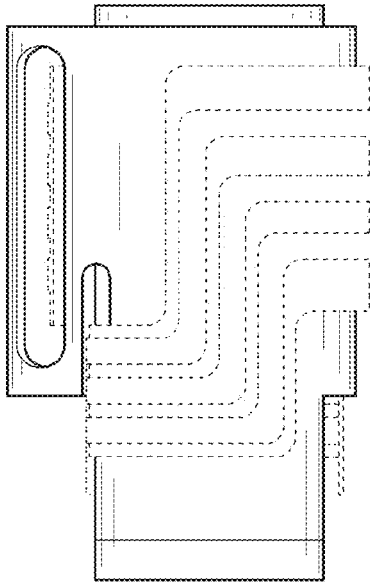


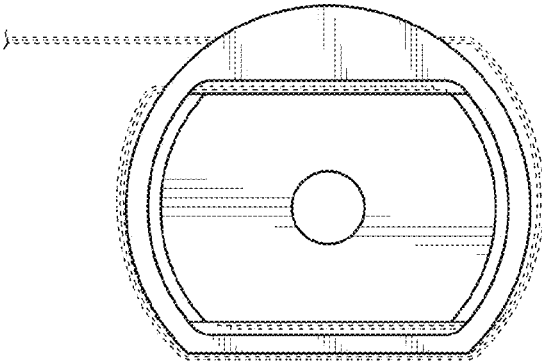
FIG. 3



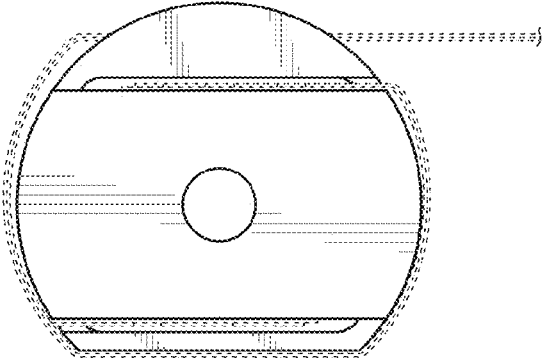
**FIG. 4**



**FIG. 5**



**FIG. 6**



**FIG. 7**

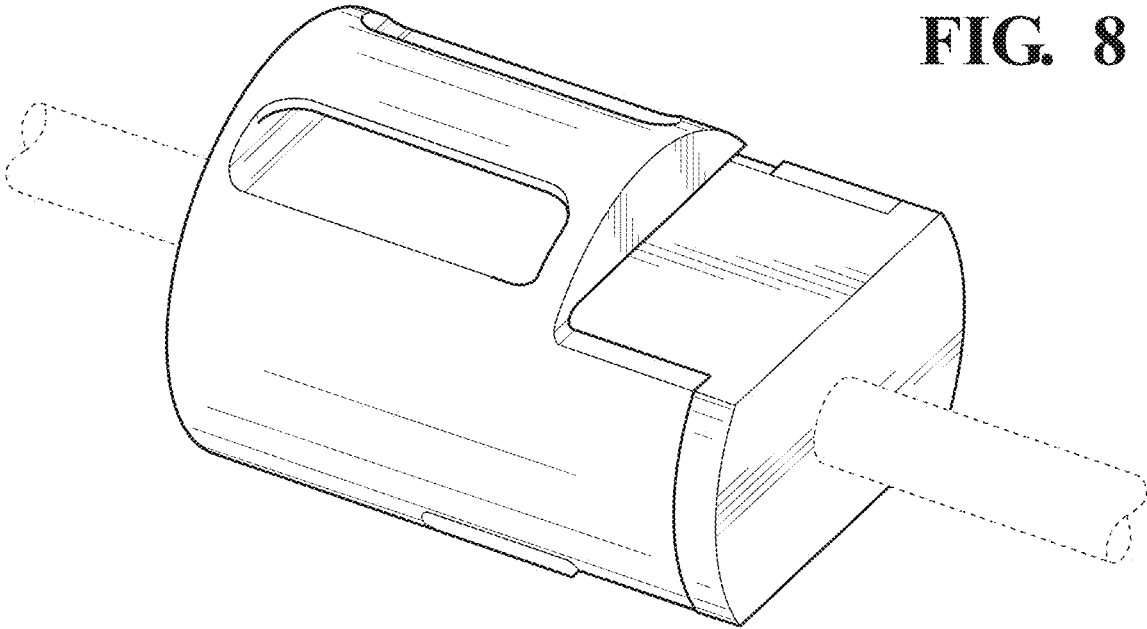


FIG. 8

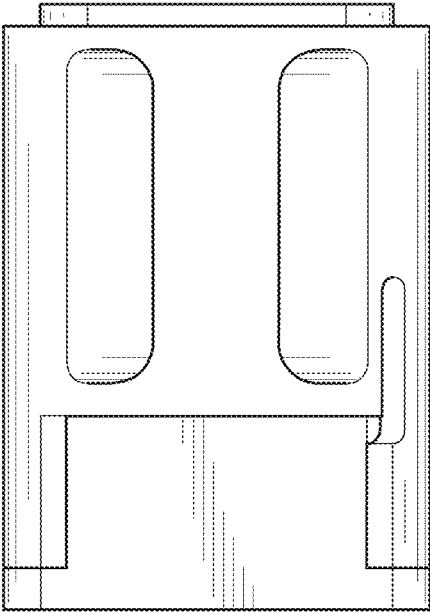


FIG. 9

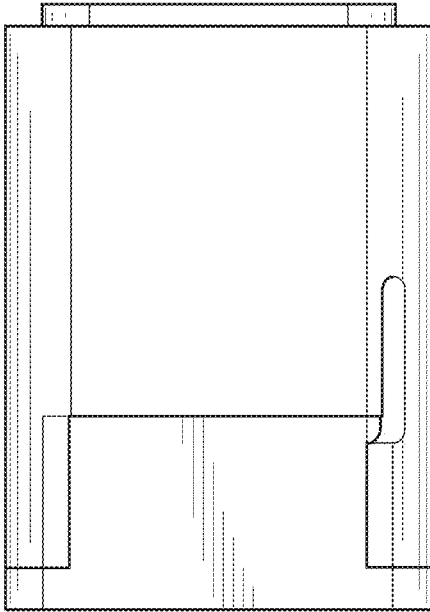
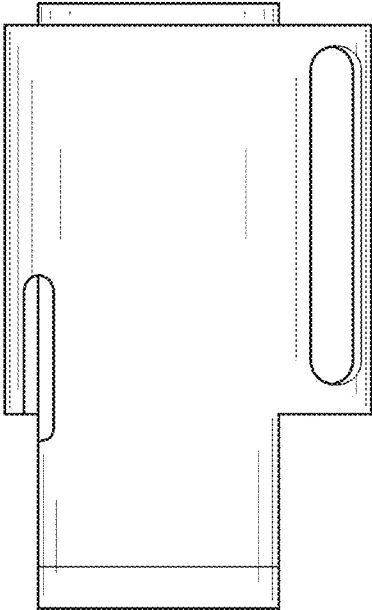
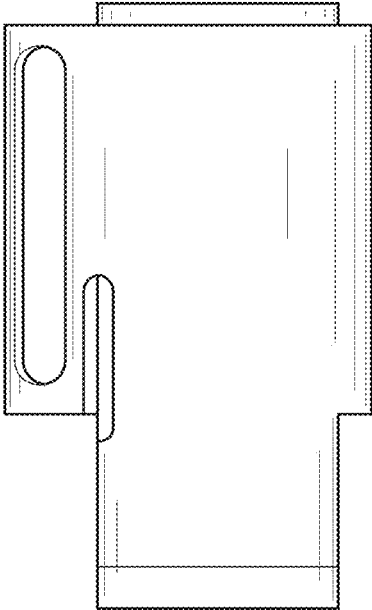


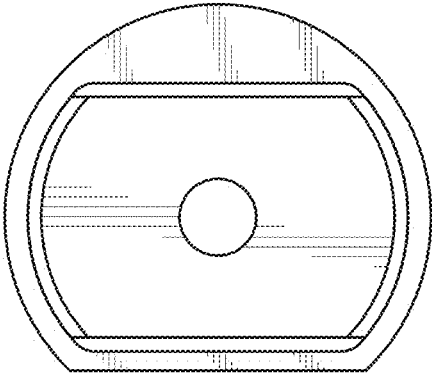
FIG. 10



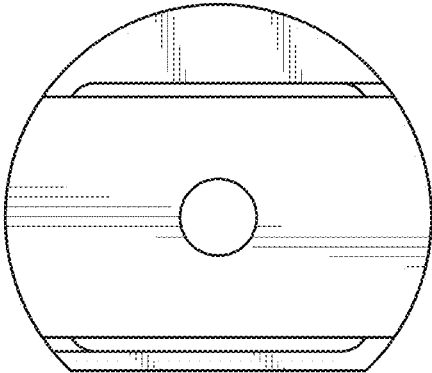
**FIG. 11**



**FIG. 12**



**FIG. 13**



**FIG. 14**